



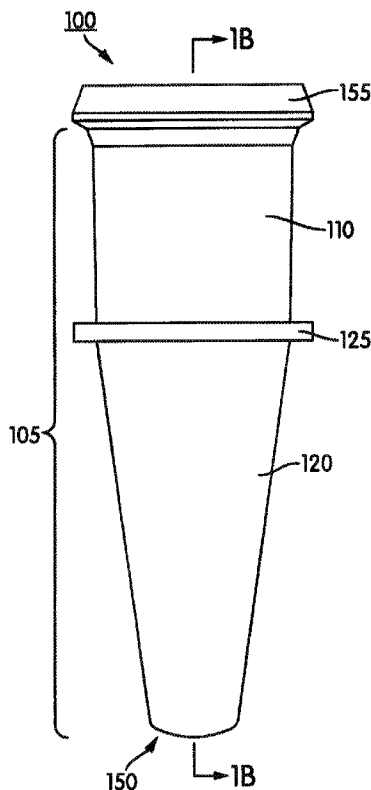
(12) **DEMANDE DE BREVET CANADIEN  
CANADIAN PATENT APPLICATION**

(13) **A1**

(22) Date de dépôt/Filing Date: 2014/03/13  
(41) Mise à la disp. pub./Open to Public Insp.: 2014/09/25  
(62) Demande originale/Original Application: 3 078 500  
(30) Priorité/Priority: 2013/03/14 (US61/782,320)

(51) Cl.Int./Int.Cl. *B01L 3/00* (2006.01),  
*G01N 35/00* (2006.01), *G01N 35/02* (2006.01)  
(71) Demandeur/Applicant:  
GEN-PROBE INCORPORATED, US  
(72) Inventeurs/Inventors:  
KNIGHT, BYRON J., US;  
BUSE, DAVID, US;  
GROELI, JULIAN, US  
(74) Agent: SMART & BIGGAR LP

(54) Titre : SYSTEMES, PROCEDES ET APPAREILS POUR EFFECTUER DES DOSAGES AUTOMATISES A BASE DE REACTIF  
(54) Title: SYSTEMS, METHODS, AND APPARATUSES FOR PERFORMING AUTOMATED REAGENT-BASED ASSAYS



(57) **Abrégé/Abstract:**

System, apparatuses, and methods for performing automated reagent-based analysis are provided. Also provided are methods for automated attachment of a cap to a reaction receptacle, and automated removal of a cap from a capped reaction receptacle.

**ABSTRACT**

System, apparatuses, and methods for performing automated reagent-based analysis are provided. Also provided are methods for automated attachment of a cap to a reaction receptacle, and automated removal of a cap from a capped reaction receptacle.

SYSTEMS, METHODS, AND APPARATUSES  
FOR PERFORMING AUTOMATED REAGENT-BASED ASSAYS

FIELD

**[0001]** The present disclosure relates to systems and apparatuses for performing automated reagent-based biochemical assays.

BACKGROUND INFORMATION

**[0002]** Automated molecular assay instrumentation offers numerous advantages, however most automated instruments suffer from a limited set of assay capabilities. These limited capabilities complicate or inhibit parallel processing of multiple assays and, as a result, reduce sample throughput and flexibility in assay choices. This is particularly true for sensitive assays such as those involving nucleic acid detection and/or an amplification procedure. There are many procedures in use for amplifying nucleic acids, including the polymerase chain reaction (PCR), (see, *e.g.*, Mullis, "Process for Amplifying, Detecting, and/or Cloning Nucleic Acid Sequences," U.S. Pat. No. 4,683,195), transcription-mediated amplification (TMA), (see, *e.g.*, Kacian *et al.*, "Nucleic Acid Sequence Amplification Methods," U.S. Pat. No. 5,399,491), ligase chain reaction (LCR), (see, *e.g.*, Birkenmeyer, "Amplification of Target Nucleic Acids Using Gap Filling Ligase Chain Reaction," U.S. Pat. No. 5,427,930), strand displacement amplification (SDA), (see, *e.g.*, Walker, "Strand Displacement Amplification," U.S. Pat. No. 5,455,166), and loop-mediated isothermal amplification (see, *e.g.*, Notomi *et al.*, "Process for Synthesizing Nucleic Acid," U.S. Pat. No. 6,410,278). A review of several amplification procedures currently in use, including PCR and TMA, is provided in HELEN H. LEE ET AL., NUCLEIC ACID AMPLIFICATION TECHNOLOGIES (1997).

**[0003]** Automated molecular assays incorporate the use of consumable components, which may or may not hold reagents utilized in the molecular assay to be performed, which can be manually loaded onto automated instrumentation. Providing such consumable components that are configured to limit contamination, enhance target detection, simplify loading into and transport within the system, enhance the operability of mechanical components within the

automated system while lowering cost, and providing high performance in connection with the assay to be performed is desirable.

## SUMMARY

**[0004]** The present disclosure relates to systems, methods, and apparatuses for performing automated reagent-based biochemical assays.

**[0005]** Accordingly, in an aspect of the present disclosure, there is provided a single-piece receptacle. The receptacle includes a body having a generally cylindrical upper portion and a tapered lower portion, the upper portion having an open end and the lower portion being closed-ended, an annular ring formed on an outer surface of the body, the annular ring separating the upper and lower portions of the body, a lip circumscribing the open end of the upper portion, the lip being adapted for inter-locking engagement with a mated cap, and a plurality of longitudinally oriented grooves formed in an inner surface of the upper portion of the body and situated between the open end and the annular ring. In various embodiments, the closed end of the lower portion may be flat or curved. The number of grooves disposed on the inner surface of the upper portion is selected from the group consisting of 2, 3, 4, 5, 6, 7, and 8. The lip may radially-extend from an exterior surface of the upper portion and tapers towards the open end thereof.

**[0006]** In another aspect, the disclosure provides a cap securable to the single-piece receptacle. The cap includes a lower portion having an outer surface for sealing engagement of an inner surface of the open upper end of the body, the outer surface including one or more annular ring(s), an upper portion having a length, an inner surface, an outer surface, and an open end configured for engagement with an automated pipettor, and further including one or more recess(es), which can be concave in shape, disposed on the outer surface thereof extending along at least part of the length of the upper portion, and one or more linear rib(s) disposed on the inner surface of the upper portion, each linear rib having a length corresponding to the length of at least one of the recesses, and wherein each of the one or more linear ribs is positioned on the inner surface of the cap in a manner that corresponds to at least one of the recesses such that at least one linear rib lies on an inner surface of the cap that directly opposes the position of at least one recess on the outer surface of the cap, and a lip positioned between, and extending radially away from, the upper and lower portions, the lip including a plurality of locking arms extending toward

the lower portion of the cap for securely engaging the lip of the receptacle. In various embodiments, the number of linear ribs corresponds to the number of recesses in a one-to-one relationship, and the number of recesses disposed on the outer surface of the cap is selected from the group consisting of 2, 3, 4, 5, 6, 7, and 8. The lower portion of the cap may include 1, 2, or 3 annular rings for sealing engagement of the inner surface of the body of the receptacle.

**[0007]** In certain embodiments, the locking arms comprise a snap fit attachment for securely engaging the lip of the receptacle. The number of locking arms may be selected from the group consisting of 1, 2, 3, 4, 5, 6, 7, and 8. In addition, the number of linear ribs disposed on the inner surface of the upper portion of the cap may be selected from the group consisting of 2, 3, 4, 5, 6, 7, and 8. The distal portion of the cap may further include a bottom separating the upper portion of the cap from the proximal lower portion of the cap. In certain embodiments, the bottom is scored for piercing. The at least one of the linear rib includes a portion that gradually tapers radially inward toward the center of the upper portion, or increases in size (*e.g.*, an increase in thickness or radial geometry) as the at least one of the linear ribs approaches the bottom separating the upper portion of the cap from the proximal lower of the cap.

**[0008]** In another aspect, the disclosure provides a method for the automated removal of a cap from a capped reaction receptacle. The method includes providing a single-piece receptacle comprising a body having a generally cylindrical upper portion and a tapered lower portion, the upper portion having an open end and the lower portion being closed-ended; an annular ring formed on an outer surface of the body, the annular ring separating the upper and lower portions of the body; a lip circumscribing the open end of the upper portion, the lip being adapted for inter-locking engagement with a mated cap; and a plurality of longitudinally oriented grooves formed in an inner surface of the upper portion of the body and situated between the open end and the annular ring; and a cap securable to the single-piece receptacle, comprising: a lower portion having an outer surface for sealing engagement of an inner surface of the open upper end of the body, the outer surface including one or more annular ring(s); an upper portion having a length, an inner surface, an outer surface, and an open end configured for engagement with an automated pipettor, and further including one or more recess(es) disposed on the outer surface thereof extending along at least part of the length of the upper portion, and one or more linear

rib(s) disposed on the inner surface of the upper portion, each linear rib having a length corresponding to the length of at least one of the recesses, and wherein each of the one or more linear ribs is positioned on the inner surface of the cap in a manner that corresponds to at least one of the recesses such that at least one linear rib lies on an inner surface of the cap that directly opposes the position of at least one recess on the outer surface of the cap; and a lip positioned between, and extending radially away from, the upper and lower portions, the lip including a plurality of locking arms extending toward the lower portion of the cap for securely engaging the lip of the receptacle. The cap is securely engaged to the single piece receptacle. The method further includes performing an automated motion of contacting an inner portion of at least one of the plurality of locking arms with a raised annular ridge defined around a receptacle slot, wherein said contacting urges the locking arms away from the lip of the receptacle thereby disengaging the cap from the receptacle, and while the cap is disengaged from the receptacle, performing an automated motion of lifting the cap away from the receptacle, thereby removing the cap from the capped reaction receptacle.

**[0009]** In another aspect, the disclosure provides a multi-well tray for use in an automated process. The multi-well tray includes a base having a top surface, a card insert having a first surface, the card insert configured for removable attachment to the base, wherein when attached to the base, the first surface of the card insert is substantially parallel to and flush with the top surface of the base, and a plurality of sets of wells. Each set of wells includes a first well disposed in an opening of the top surface of the base, the first well being configured to receive a receptacle cap, second well disposed in an opening of the top surface of the base, the second well being configured to receive a receptacle, wherein the receptacle cap and the receptacle are configured for secure engagement with each other, and a third well disposed in an opening of the first surface of the card insert, the third well containing a lyophilized reagent. The wells of each set of wells are disposed in alignment with each other, and the third well is sealed with a frangible seal. In certain embodiments the third well may include one or more retention features for retaining a lyophilized reagent at the bottom thereof.

**[0010]** In another aspect, the disclosure provides a reagent-containing multi-well tray for use in an automated process. The multi-well tray includes a base having a top surface and a plurality

of wells disposed therein. Each of the wells may be defined by a cylindrical or conical wall, an open upper end, and a bottom. The wells may be disposed in alignment with each other and sealed with a frangible seal. In certain embodiments each of the wells may include at least one retention feature to retain a lyophilized reagent therein. The multi-well tray may further include a lyophilized reagent disposed within each well, positioned at, or adjacent to, the bottom. Exemplary retention features include, but are not limited to, an annular ridge formed on the well wall and positioned above the lyophilized reagent, a spiral channel formed along a length of the well wall and positioned above the lyophilized reagent, a tapered ring attached to the well wall and positioned above the lyophilized reagent, a capillary insert attached to the well wall, and a collar attached to the well wall at or proximal to the open upper end. The collar may further include one or more fingers formed on a bottom surface thereof that protrude along a radius of curvature toward an axial center of the well. The capillary insert may include an open upper end that tapers toward the bottom of the well, and a capillary channel formed between the open upper end and the bottom of the well. In certain embodiments, the lyophilized reagent is held in position at, or adjacent to, the bottom through the use of electrostatic force.

**[0011]** In various aspects, any of the multi-well trays may also include machine readable indicia positioned on the base or card insert containing identifying information regarding the multi-well tray or card insert, including reagents contained therein. The machine readable indicia may be a barcode, 2D barcode, or a radio frequency identification (RFID). In addition, the multi-well tray may include one or more locking arms disposed on the card insert for locking engagement with the base. The first well may be defined by a first side wall and a bottom surface, and include a protrusion extending from a center of the bottom surface of the well toward the top surface of the base for frictional engagement with a hollow portion in the lower portion of the receptacle cap. The first well may also include a plurality of tabs protruding from the first side wall for securely engaging the receptacle cap. The second well may be defined by a second side wall and a second bottom, the second bottom including a through-hole extending from an inner surface of the second well to an outer surface of the base. An annular ledge may then be formed within the second well at the circumference of the through-hole. The second well may also include a plurality of legs protruding from the second side wall for securely engaging the distal portion of the cap. The third well may be defined by a third side wall and a third bottom and

include one or more features selected from the group consisting of a convex groove, a concave groove, and a set of grooves comprising a crisscross pattern disposed in the third bottom. The third side wall may be conical, tapering toward the bottom thereof. The third well may also include a plurality of rigid guides radially protruding from the third wall toward a center thereof. The base may be spatially indexed such that an automated pipettor can accurately identify and/or access any of the plurality of wells when the multi-well tray is placed in an automated system.

**[0012]** In another aspect, the disclosure provides a cartridge with communicating wells for use in an automated process. The cartridge includes a casing having a top surface, a fluid chamber disposed within the casing, and wherein a first opening is provided in the top surface of the casing having at least one side wall surface extending to, or optionally forming at least a portion of, the fluid chamber, and a fluid reservoir disposed within the casing adjacent to and in fluid communication with the fluid chamber. In certain embodiments, the cartridge also includes an oil reservoir disposed within the casing and adjacent to the fluid chamber. The fluid communication between the fluid chamber and the fluid reservoir may be both liquid and gaseous communication and may be provided by the same or different means. The cartridge may also include a second opening that is provided in the top surface of the casing having at least one side wall surface extending to, or optionally forming at least a portion of, the fluid reservoir. Each of the first and second openings may be sealed from exposure to the ambient atmosphere with a frangible seal.

**[0013]** In another aspect, the disclosure provides a cartridge rack for use in an automated process. The cartridge rack includes a chassis having a top surface and a first and a second opposing end, the chassis being configured for releasable attachment to one or more multi-well trays(s) as set forth herein, a plurality of machine readable indicia including data disposed on the chassis, and a handle disposed on the first end surface of the chassis. The chassis is configured for releasable attachment to a plurality (*e.g.*, two or more, or up to five) multi-well trays. In various embodiments, the chassis is configured for releasable attachment to a cartridge with communicating wells. As discussed above, the cartridge includes a casing having a top surface; a fluid chamber disposed within the casing, and wherein a first opening is provided in the top surface of the casing having at least one side wall surface extending to, or optionally forming at

least a portion of, the fluid chamber; and a fluid reservoir disposed within the casing adjacent to and in fluid communication with the fluid chamber. The machine readable indicia may include identifying information regarding the multi-well tray attached thereto, and may be in the form of a barcode, 2D barcode, QR code, or an RFID. The machine readable indicia may be readable through a direct contact connection, a wired connection, or wirelessly.

**[0014]** In another aspect, the disclosure provides a system for conducting an automated reagent-based assay. The system includes a multi-well tray, a cartridge with communicating wells, and an automated pipettor positioned on a robot arm. The multi-well tray may include a plurality of wells, each of the wells containing a lyophilized reagent, wherein the plurality of wells are disposed in alignment with each other and sealed with a frangible seal, wherein the lyophilized reagent includes a target-specific reagent. The cartridge with communicating wells includes a casing having a top surface; a fluid chamber disposed within the casing, and wherein a first opening is provided in the top surface of the casing having at least one side wall surface extending to, or optionally forming at least a portion of, the fluid chamber; a fluid reservoir disposed within the casing in fluid communication with the fluid chamber; and a diluent contained within the fluid chamber. The automated pipettor is adapted to execute a retrieval and dispense protocol that includes a retrieval of a portion of the reagent from the cartridge and a dispense of the portion of the reagent in one of the plurality of wells, and wherein the retrieval and dispense protocol is repeated for each of the plurality of wells. In various embodiments, the multi-well tray, the cartridge with communicating wells, and the automated pipettor are contained within a housing, such as an automated biochemical analyzer.

**[0015]** In another aspect, the disclosure provides a method for providing a stabilized reagent for a molecular assay. The method includes introducing a fluid molecular assay reagent to a well, the well including a tapered opening and a capillary insert having a capillary channel, wherein the tapered opening and capillary channel are in fluid communication. Thereafter, subjecting the well containing the reagent to conditions suitable for lyophilizing the fluid molecular assay reagent to prepare a lyophilized reagent. Thereafter, reconstituting the lyophilized reagent by introducing a reconstitution solution to the tapered opening of the well to prepare a reconstituted reagent. Then withdrawing the reconstituted reagent using a fluid transfer device that is

introduced into the tapered opening of the well. In various embodiments, the fluid transfer device is a pipettor. The molecular assay may be a polymerase chain reaction (PCR) assay.

**[0016]** Various embodiments disclosed herein pertain to a cap securable to a receptacle and comprising: a lower portion configured to be inserted into a receptacle opening; an upper portion having an opening formed therein, the opening being configured to receive a portion of an automated transfer mechanism; a plurality of locking arms extending toward the lower portion of the cap and configured for securely engaging a portion of a receptacle to secure the cap to the receptacle when the lower portion is inserted into the receptacle opening; and a plurality of longitudinally-extending linear ribs disposed on an inner surface of the opening, wherein each linear rib has associated therewith at least one of: an enlarged portion proximate a distal end thereof, and a recess disposed on an outer surface of the upper portion, wherein the recess corresponds in length with the rib and is disposed on the outer surface opposite the rib. Also disclosed is a combination of a receptacle and such a cap carried within wells of a tray, wherein the receptacle is configured to be engaged by the cap and comprises: a generally cylindrical portion with an opening formed therein and configured to receive the lower portion of the cap so as to provide a sealing engagement between an outer surface of the lower portion and an inner surface of the opening formed in the cylindrical portion; and a radially-projecting lip circumscribing the opening, the lip being configured for inter-locking engagement with the locking arms of the cap.

**[0016A]** Various embodiments disclosed herein pertain to an assembly comprising a receptacle and a separate cap in interlocking engagement with the receptacle, wherein the receptacle comprises: a generally cylindrical portion with an opening formed therein; and a radially-projecting lip circumscribing the opening; and wherein the cap comprises: a lower portion inserted into the opening of the receptacle and configured to provide a sealing engagement between an outer surface of the lower portion and an inner surface of the opening; an upper portion having an opening formed therein, the opening being configured to receive a portion of an automated transfer mechanism; a plurality of locking arms extending toward the lower portion of the cap and interlockingly engaged with the lip of the receptacle to secure the cap to the receptacle; and a plurality of longitudinally-extending linear ribs disposed on an inner surface of

the opening, wherein each rib has associated therewith at least one of: an enlarged portion proximate a distal end thereof, and a recess disposed on an outer surface of the upper portion, wherein the recess corresponds in length with the rib and is disposed on the outer surface opposite the rib.

**[0016B]** Various embodiments disclosed herein pertain to a cap securable to a receptacle and comprising: a lower portion configured to be inserted into a receptacle opening; an upper portion having an opening formed therein, the opening being configured to receive a portion of an automated transfer mechanism; a plurality of locking arms extending toward the lower portion of the cap and configured for securely engaging a portion of a receptacle to secure the cap to the receptacle when the lower portion is inserted into the receptacle opening; and a plurality of longitudinally-extending linear ribs disposed on an inner surface of the opening; and a detent formed in at least one of the linear ribs and configured for engaging a portion of the automated receptacle transfer mechanism.

**[0016C]** Various embodiments disclosed herein pertain to a combination of a receptacle and a cap, carried within wells of a tray, wherein the receptacle is configured to be engaged by the cap and comprises: a generally cylindrical portion with an opening formed therein and configured to receive the lower portion of the cap so as to provide a sealing engagement between an outer surface of the lower portion of the cap and an inner surface of the opening formed in the cylindrical portion and of the receptacle; a radially-projecting lip circumscribing the opening, the lip being configured for inter-locking engagement with the locking arms of the cap.

**[0016D]** Various embodiments disclosed herein pertain to a fluid cartridge comprising: a fluid chamber; a fluid reservoir, wherein the fluid chamber and the fluid reservoir contain the same liquid, and wherein the fluid reservoir has a greater volumetric capacity than the fluid chamber; a frangible seal covering an opening of the fluid chamber and a frangible seal covering an opening of the fluid reservoir; a first opening between the fluid reservoir and the fluid chamber, the first opening being disposed proximate a lower portion of the fluid reservoir and fluid chamber and providing liquid communication between the fluid reservoir and the fluid chamber; and a second opening between the fluid reservoir and fluid chamber, the second opening being disposed

proximate a top portion of the fluid reservoir and fluid chamber and providing fluid communication between the fluid reservoir and the fluid chamber.

**[0016E]** Various embodiments disclosed herein pertain to a method for transferring a liquid, comprising; with a pipette tip affixed to a probe of a robotic pipettor, penetrating a frangible seal disposed over a fluid chamber of a fluid cartridge and accessing a liquid contained in the fluid chamber; withdrawing a volume of liquid from the fluid chamber with the robotic pipettor; and removing the pipette tip from the fluid chamber, wherein a portion of the volume of liquid removed from the fluid chamber is replaced by liquid flowing into the fluid chamber from a sealed fluid reservoir of the fluid cartridge through a first opening between the fluid reservoir and the fluid chamber, the first opening being disposed proximate a lower portion of the fluid reservoir and fluid chamber, and wherein a volume of air corresponding to the volume of liquid that flows from the fluid reservoir into the fluid chamber moves into the fluid reservoir through an opening formed in the frangible seal by the pipette tip and through a second opening between the fluid reservoir and fluid chamber, the second opening being disposed proximate a top portion of the fluid reservoir and fluid chamber.

**[0016F]** Various embodiments disclosed herein pertain to a multi-well tray for use in an automated process comprising: a base; a card insert removably securable to the base; and one or more sets of wells, wherein each set comprises: a receptacle cap well formed in the base and configured to receive a receptacle cap; a receptacle well formed in the base and configured to receive a receptacle; and a reagent well formed in the card insert and containing a lyophilized reagent.

**[0016G]** Various embodiments disclosed herein pertain to an assembly for using in an automated process comprising a rack, comprising: a chassis having a top surface and first and second opposing ends, the chassis including locking members; a plurality of machine readable indicia including data disposed on the chassis; and a handle disposed on the first end surface of the chassis; two or more multi-well trays supported on the chassis of the rack, each multi-well tray comprising: a base including locking features; a card insert removably securable to the base; and one or more sets of wells, wherein each set comprises: a receptacle cap well formed in the base and configured to receive a receptacle cap; a receptacle well formed in the base and

configured to receive a receptacle; and a reagent well formed in the card insert and containing a lyophilized reagent; wherein the locking members of the rack are operatively engaged with the locking features of the each multi-well tray to secure the multi-well tray to the chassis of the rack; and a fluid cartridge comprising: a liquid chamber and a liquid reservoir in fluid communication with the liquid chamber, the liquid chamber and the liquid reservoir containing a reconstitution solution for reconstituting the lyophilized reagent, and a frangible seal covering the liquid chamber and the liquid reservoir of the fluid cartridge.

**[0016H]** Various embodiments disclosed herein pertain to a rack for holding two or more trays in an automated process, the rack comprising: a chassis having a top surface and first and second opposing ends, the chassis including locking members configured for engagement with cooperating locking features on the trays for releasably securing the trays to the chassis; a plurality of machine readable indicia including data disposed on the chassis; and a handle disposed on the first end surface of the chassis.

**[0016I]** Various embodiments disclosed herein pertain to a cartridge for use in an automated process comprising: a base having a top surface; one or more wells formed in the base and defined by a side wall, a bottom wall, and an open upper end at the top surface of the base; a lyophilized reagent disposed within the well; and a retention feature disposed within the well above the lyophilized reagent, wherein the retention feature provides an opening therethrough, and wherein the opening is smaller than the size of the lyophilized reagent, thereby retaining the lyophilized reagent within the well.

**[0016J]** Various embodiments disclosed herein pertain to a reagent-containing cartridge for use in an automated process comprising: a base having a top surface; one or more wells formed in the base and defined by a side wall, a bottom wall, and an open upper end at the top surface of the base; a capillary insert in contact with or part of the side wall and including a capillary channel extending therethrough; and a lyophilized reagent disposed within the capillary channel.

**[0016K]** Various embodiments disclosed herein pertain to a method of providing a stabilized reagent in a cartridge for use in an automated process, the method comprising: (a) introducing a liquid reagent to a capillary channel of a capillary insert disposed within or an integral part of

a well of the cartridge, wherein at least a portion of the liquid reagent is retained within the capillary channel; and (b) subjecting the well and the liquid reagent retained with the capillary channel to conditions suitable for lyophilizing the liquid reagent, thereby forming a lyophilized reagent within the capillary channel that can be reconstituted by introducing a reconstitution solution to the capillary channel to form a reconstituted reagent.

**[0016L]** Various embodiments disclosed herein pertain to a reagent well comprising: a side wall, a bottom wall, and an open upper end; a lyophilized reagent disposed within the well; and a retention feature disposed within the well above the lyophilized reagent, wherein the retention feature provides an opening therethrough, and wherein the opening is smaller than the size of the lyophilized reagent, thereby retaining the lyophilized reagent within the well.

**[0016M]** Various embodiments disclosed herein pertain to a reagent well comprising: a side wall, a bottom wall, and an open upper end; a capillary insert in contact with or part of the side wall and including a capillary channel extending therethrough; and a lyophilized reagent disposed within the capillary channel.

**[0016N]** Various embodiments disclosed herein pertain to a method of providing a stabilized reagent in a cartridge for use in an automated process, the method comprising: (a) introducing a liquid reagent to a capillary channel of a capillary insert disposed within or an integral part of a reagent well, wherein at least a portion of the liquid reagent is retained within the capillary channel; and (b) subjecting the reagent well and the liquid reagent retained with the capillary channel to conditions suitable for lyophilizing the liquid reagent, thereby forming a lyophilized reagent within the capillary channel that can be reconstituted by introducing a reconstitution solution to the capillary channel to form a reconstituted reagent.

**[0016O]** Various embodiments disclosed herein pertain to an apparatus for separating a cap from a receptacle with which the cap is interlockingly engaged, the receptacle including an opening with a laterally-projecting lip at least partially surrounding the opening and a laterally-extending flange disposed at a spaced-apart position with respect to the lip, and the cap including one or more locking arms interlockingly engaged with the lip of the receptacle to secure the cap to the receptacle, said apparatus comprising: a top wall; a cap removal station comprising: an

opening formed through said top wall; a raised collar surrounding said opening and projecting with respect to said top wall from a base of the collar to a tip of the collar, wherein said raised collar has an outer surface that is angled away from said opening from the tip of said raised collar to the base of said raised collar; and two or more resilient tabs at least partially surrounding said opening and projecting with respect to a side of said top wall opposite said raised collar, wherein said resilient tabs are angled inwardly so that a distance between distal ends of the resilient tabs is less than the width of said opening.

**[0016P]** Various embodiments disclosed herein pertain to a method for separating a cap from a receptacle with which the cap is interlockingly engaged, the receptacle including an opening with a laterally-projecting lip at least partially surrounding the opening and a laterally-extending flange disposed at a spaced-apart position with respect to the lip, and the cap including one or more locking arms interlockingly engaged with the lip of the receptacle to secure the cap to the receptacle, said method comprising: (a) moving the interlocked cap and receptacle in a first direction and moving the receptacle into an opening of a cap removal station so that the laterally-extending flange of the receptacle contacts two or more resilient tabs at least partially surrounding the opening and angled inwardly so that a distance between distal ends of the resilient tabs is less than the width of the opening; (b) continuing to move the receptacle through the opening, thereby causing the laterally-extending flange of the receptacle to deflect the resilient tabs outwardly; (c) during step (b), contacting the locking arms of the cap with a tip of a raised collar surrounding the opening, wherein the raised collar has an outer surface that is angled away from opening from the tip of the raised collar to a base of the collar, and continuing to move the locking arms along the angled outer surface of the raised collar, thereby pushing the locking arms outwardly and out of locking engagement with the lip of the receptacle; (d) continuing step (c) until the locking arms are pushed out of engagement with the lip by the angled outer surface of the raised collar and the lip contacts the tip of the raised collar, wherein the lip of the receptacle is spaced apart from the laterally-extending flange of the receptacle by a distance generally corresponding to the distance between the tip of the raised collar and distal ends of the resilient tabs, so that when the lip of the receptacle contacts the tip of the raised collar, the laterally-extending flange clears the distal ends of the resilient tabs, the resilient tabs move back toward undeflected positions thereof, and the receptacle is then secured within the cap removal station with the resilient tabs and the

raised collar of the cap removal station disposed between the lip and the laterally extending flange of the receptacle; and (e) with the locking arms no longer engaged with the lip of the receptacle and the receptacle secured within the cap removal station, moving the cap in a second direction opposite the first direction to separate the cap from the receptacle.

**[0017]** Various embodiments disclosed herein pertain to a reagent well comprising: a side wall, a bottom wall, and an open upper end; a lyophilized reagent disposed within the well; and a retention feature disposed within or forming an integral component of the side wall of the well, the retention feature being situated above the lyophilized reagent and configured to retain the lyophilized reagent within the well.

**[0017A]** Various embodiments disclosed herein pertain to a reagent well comprising: a side wall, a bottom wall, and an open upper end; a capillary insert fully disposed within or forming an integral component of the side wall, the capillary insert including a channel extending therethrough; and a lyophilized reagent disposed within the channel.

**[0017B]** Various embodiments disclosed herein pertain to a reagent-containing cartridge for use in an automated process comprising: a base having a top surface; and at least one reagent well as claimed herein, wherein the side wall of the well depends from the top surface of the base.

**[0018]** Various embodiments disclosed herein pertain to a method for removing a reconstituted form of the lyophilized reagent from a capillary insert as described herein, the method comprising the steps of: a) providing a reconstitution solution to said channel, thereby forming a reconstituted form of the lyophilized reagent that is at least partially contained within the channel; and b) removing at least a portion of the reconstituted form of the lyophilized reagent formed in step a) from the channel.

**[0018A]** Various embodiments disclosed herein pertain to a method of providing a reagent in a reagent well for use in an automated process, the method comprising the steps of: a) providing a liquid reagent to a channel extending through a capillary insert disposed within or forming an integral component of the well, whereby at least a portion of the liquid reagent is retained within the channel; and b) after step a), subjecting the liquid reagent to conditions suitable for

lyophilizing the liquid reagent, thereby forming a lyophilized reagent that is at least partially contained within the channel.

**[0018B]** Various embodiments disclosed herein pertain to a multi-well tray for use in an automated instrument and comprising: an elongated base having a first end and a second end, the base comprising a top surface and opposed side walls extending from the top surface to a bottom surface and an arm extending from the first end of the base and configured to be engaged by a transport mechanism for transporting the tray within the instrument; a plurality of wells depending from the top surface and disposed between the opposed side walls, each having an opening at the top surface, wherein the wells are arranged in at least one row extending between the first end and the second end of the base, and wherein the wells do not extend below the bottom surface of the side walls; and snap fingers disposed at the second end of the base and configured to grasp an element of the instrument for securing the tray to the element.

**[0018C]** Various embodiments disclosed herein also pertain to a cartridge consisting of: a plurality of adjacently-positioned wells; a top surface that is integrally molded with the wells, each of the wells depending from the top surface and having a bottom surface and a discrete opening at the top surface, wherein at least a first well and a second well of the plurality of wells are sealed, wherein at least a portion of the wells contain a fluid, and wherein the first and second wells contain the same fluid; a first fluid path connecting the first well with the second well, wherein the first fluid path is disposed adjacent a lower portion of each of the first and second wells and above the respective bottom surfaces of the first and second wells; a second fluid path connecting the first well with the second well, wherein the second fluid path is disposed adjacent an upper portion of each of the first and second wells; and an outer wall depending from a perimeter of the top surface.

**[0018D]** Various embodiments disclosed herein also pertain to a method for transferring a liquid from a fluid cartridge comprising a casing having a top surface, a fluid chamber comprising a well formed in the casing with an opening at the top surface that is sealed to prevent or limit liquid evaporation through the opening, a fluid reservoir adjacent to the fluid chamber and comprising a well formed in the casing with an opening at the top surface that is sealed to prevent or limit liquid evaporation through the opening, wherein the fluid chamber and the fluid reservoir contain the same liquid, wherein the opening of the fluid reservoir is larger than the opening of the fluid chamber, and wherein the opening of the fluid chamber is sealed by a frangible seal secured to the top surface and covering the opening of the fluid chamber, a first path between the fluid reservoir and the fluid chamber disposed proximate a lower portion of the fluid

reservoir and fluid chamber and providing liquid communication between the fluid reservoir and the fluid chamber, and a second path between the fluid reservoir and fluid chamber disposed proximate a top portion of the fluid reservoir and fluid chamber and providing fluid communication between the fluid reservoir and the fluid chamber, the method comprising: (a) penetrating the frangible seal covering the opening of the fluid chamber with an automated pipettor; (b) contacting the liquid contained in the fluid chamber with the automated pipettor; and (c) withdrawing at least a portion of the liquid from the fluid chamber with the automated pipettor, thereby causing liquid to flow from the fluid reservoir into the fluid chamber through the first path while air flows from the fluid chamber to the fluid reservoir through the second path.

**[0018E]** Various embodiments disclosed herein also pertain to a cartridge consisting of: a plurality of adjacently-positioned wells; a top surface that is integrally molded with the wells, each of the wells depending from the top surface and having a bottom surface and a discrete opening at the top surface, wherein at least a first well and a second well of the plurality of wells are sealed, wherein at least a portion of the wells contain a fluid, and wherein the first and second wells contain the same fluid; a first fluid path connecting the first well with the second well, wherein the first fluid path is disposed adjacent a lower portion of each of the first and second wells and above the respective bottom surfaces of the first and second wells; and a second fluid path connecting the first well with the second well, wherein the second fluid path is disposed adjacent an upper portion of each of the first and second wells.

**[0018F]** The invention disclosed and claimed herein pertains to a cap securable to a receptacle and comprising: a lower portion for inserting into a receptacle opening; an upper portion having an opening formed therein, the opening defining an open end that is configured for engagement by a receptacle transport mechanism; a plurality of locking arms extending toward the lower portion of the cap and configured for engaging a portion of a receptacle to secure the cap to the receptacle when the lower portion is inserted into the receptacle opening, each of the locking arms extending axially from an annular flange extending radially with respect to a centerline of the cap and defining a gap between an outer surface of the lower portion and an inner surface of each locking arm, wherein the gap is sized to receive a lip surrounding the receptacle opening when the lower portion is inserted into the receptacle opening and the locking arms securely engage the lip surrounding the receptacle opening; and a plurality of longitudinally extending linear ribs disposed on an inner surface of the cap, the inner surface of the cap being defined by the opening formed in the upper portion, wherein each of the linear ribs has associated therewith at least one of: (i) an enlarged portion proximate a distal end thereof, and (ii) a recess disposed on an outer

surface of the upper portion, wherein the recess corresponds in length with the associated rib and is disposed on the outer surface opposite the associated rib.

**[0018G]** The invention disclosed and claimed herein also pertains to an assembly comprising a receptacle and a cap in interlocking engagement with each other, wherein the receptacle comprises: a generally cylindrical portion having an opening formed therein; and a radially projecting lip circumscribing the opening; and wherein the cap comprises: a lower portion inserted into the opening of the receptacle and configured to provide a sealing engagement between an outer surface of the lower portion of the cap and an inner surface of the opening of the receptacle; an upper portion having an opening formed therein, the opening defining an open end that is configured for engagement by a receptacle transport mechanism; a plurality of locking arms extending toward the lower portion of the cap and engaging the lip of the receptacle in an interlocking relationship, thereby securing the cap to the receptacle, wherein each of the locking arms extends axially from an annular flange extending radially with respect to a centerline of the cap and defining a gap between an outer surface of the lower portion and an inner surface of the locking arm, and wherein the lip of the receptacle extends into the gap; and a plurality of longitudinally extending linear ribs disposed on an inner surface of the cap, the inner surface of the cap being defined by the opening formed in the upper portion, wherein each of the linear ribs has associated therewith at least one of: (i) an enlarged portion proximate a distal end thereof, and (ii) a recess disposed on an outer surface of the upper portion, wherein the recess corresponds in length with the associated rib and is disposed on the outer surface opposite the associated rib.

#### **BRIEF DESCRIPTION OF THE DRAWINGS**

**[0019]** FIGS. 1A-1D are pictorial diagrams showing a receptacle of the present disclosure. FIG. 1A is a side view of the receptacle. FIG. 1B is a cross-sectional view of the receptacle taken along the line 1B-1B in FIG. 1A. FIG. 1C top view of the receptacle. FIG. 1D is a perspective view of the receptacle.

**[0020]** FIGS. 2A-2F are pictorial diagrams showing a cap of the present disclosure. FIG. 2A is a side view of the cap. FIG. 2B is a cross-sectional view of the cap taken along the line 2B-2B in FIG. 2A. FIG. 2C top view of the cap. FIG. 2D is a bottom view of the cap. FIGS. 2E and 2F are top and bottom perspective views of the cap.

**[0021]** FIG. 3A is an exploded perspective view of the receptacle, the cap, and a portion of a receptacle transport mechanism configured to be inserted into the cap.

**[0022]** FIG. 3B is a side cross-sectional view of the cap installed in the receptacle.

[00023] FIG. 3C is a longitudinal cross section of a cap and receptacle assembly embodying aspects of the present disclosure comprising an alternative embodiment of the cap.

[00024] FIG. 3D is a longitudinal cross section of the cap and receptacle assembly of FIG. 3C, with the tip of a receptacle transport mechanism inserted into the cap.

[00025] FIG. 3E is a perspective view, in longitudinal cross section, of a cap and receptacle assembly embodying aspects of the present disclosure and comprising an alternative embodiment of the cap with the tip of an receptacle transport mechanism inserted into the cap.

[00026] FIG. 4A is a perspective view of a multi-well tray for use in an automated reagent-based analyzer.

[00027] FIG. 4B is a perspective view of the multi-well tray with a card insert exploded from the multi-well tray.

[00028] FIGS. 5A-5E are pictorial diagrams showing details of a card insert. FIGS. 5B-5E show various views of inner surfaces of the wells of the card insert.

[00029] FIGS. 6A and 6B are pictorial diagrams showing attachment of the card insert to the base of the multi-well tray.

[00030] FIGS. 7A and 7B are cross-sectional views showing a cap and receptacle contained within the wells of the multi-well tray.

[00031] FIG. 8 is a pictorial diagram showing a cross-sectional view of an automated pipettor reconstituting a lyophilized reagent contained in a well of a multi-well tray.

[00032] FIGS. 9A-9E are pictorial diagrams showing alternative configurations of a multi-well tray and various exemplary embodiments of inner surfaces of the wells therein.

[00033] FIGS. 10A and 10B are pictorial diagrams showing perspective views of two cartridges with communicating wells.

[00034] FIGS. 11A-11D are pictorial diagrams showing a cartridge rack.

[00035] FIG. 12 is a partial top perspective view of a receptacle tray including features for separating an interlocked receptacle and cap, shown with a single receptacle-cap assembly held therein.

[00036] FIG. 13 is a partial bottom perspective view of the tray of FIG. 12.

[00037] FIGS. 14A, 14B, 14C show a sequence whereby a cap and receptacle, shown in cross section, are separated from one another using the tray of FIGS. 12 and 13.

### DETAILED DESCRIPTION

[00038] The present disclosure relates to a system, apparatus, and method for automated processing of a sample receptacle holder that is adapted for use in an automated instrument capable of performing nucleic acid-based amplification assays. Also provided are methods for conducting automated, random-access temperature cycling processes using the same.

[00039] Before the present systems, methods, and apparatuses are described, it is to be understood that this disclosure is not limited to particular methods and experimental conditions described, as such methods and conditions may vary. It is also to be understood that the terminology used herein is for purposes of describing particular embodiments only, and is not intended to be limiting, since the scope of the present disclosure will be limited only in the appended claims.

[00040] As used in this specification and the appended claims, the singular forms “a,” “an,” and “the” include plural references unless the context clearly dictates otherwise. Thus, for example, references to “the method” includes one or more methods, and/or steps of the type described herein which will become apparent to those persons skilled in the art upon reading this disclosure and so forth.

[00041] The term “comprising,” which is used interchangeably with “including,” “containing,” “having,” or “characterized by,” is inclusive or open-ended language and does not exclude additional, unrecited elements or method steps. The phrase “consisting of” excludes any element, step, or ingredient not specified in the claim. The phrase “consisting essentially of” limits the scope of a claim to the specified materials or steps and those that

do not materially affect the basic and novel characteristics of the disclosed subject matter. The present disclosure contemplates exemplary embodiments of an apparatus and methods of use thereof corresponding to the scope of each of these phrases. Thus, an apparatus or method comprising recited elements or steps contemplates particular embodiments in which the apparatus or method consists essentially of or consists of those elements or steps.

**[00042]** Unless defined otherwise, all technical and scientific terms used herein have the same meaning as commonly understood by one of ordinary skill in the art to which this disclosure belongs. Although any methods and materials similar or equivalent to those described herein can be used in the practice or testing disclosed herein, the preferred methods and materials are now described.

**[00043]** As used herein, a “reaction mixture” refers to a volume of fluid comprising one or more of a target-specific reagent, diluent for reconstituting a lyophilized reagent, one or more nucleotides, an enzyme, and a sample containing or suspected of containing a nucleic acid.

**[00044]** As used herein, a “sample” or a “test sample” refers to any substance suspected of containing a target organism or biological molecule, such as nucleic acid. The substance may be, for example, an unprocessed clinical specimen, a buffered medium containing the specimen, a medium containing the specimen and lytic agents for releasing nucleic acid belonging to the target organism, or a medium containing nucleic acid derived from a target organism which has been isolated and/or purified in a reaction receptacle or on a reaction material or device. In some instances, a sample or test sample may comprise a product of a biological specimen, such as an amplified nucleic acid to be detected.

**[00045]** As used herein, the term “biochemical assay” refers to a scientific investigative procedure for qualitatively assessing or quantitatively measuring the presence or amount or the functional activity of a target entity, such as, but not limited to, a biochemical substance, a cell, organic sample, or target nucleic acid sequence. Included in the term “biochemical assay” are nucleic acid amplification and heat denaturation (i.e., melting). Nucleic acid melting typically involves precise warming of a double stranded nucleic acid molecule to a

temperature at which the two strands separate or "melt" apart. The melting process typically occurs at a temperature of about 50°C to about 95°C.

[00046] As used herein, the term "lyophilization" refers to a dehydration process that is typically used to preserve a perishable material and/or facilitate transport thereof. Thus, "conditions for lyophilization" refer to subjecting a liquid material and/or a vessel containing the liquid material to freezing conditions while reducing the surrounding pressure to allow the frozen water within the material to sublime directly from the solid phase to the gas phase. Such freezing conditions may include cooling the material below the lowest temperature at which the solid and liquid phases thereof can coexist (known in the art as the "triple point"). Usually, the freezing temperatures are between -50 °C and -80 °C, however, one of skill in the art can determine the appropriate freezing temperature to lyophilize the reagent for use in the automated biochemical assay.

[00047] As used herein, the term "reconstituting" refers to the act of returning a lyophilized material to its liquid form. Thus, the term encompasses contacting a fluid, e.g., water or other suitable diluent, with a lyophilized reagent for sufficient time to allow the lyophilized reagent to absorb water, thereby forming a stabilized liquid reagent.

#### **Receptacle & Cap**

[00048] Accordingly, in an exemplary aspect, there is provided a receptacle 100 to receive and store fluid test samples for subsequent analysis, including analysis with nucleic acid-based assays or immunoassays diagnostic for a particular pathogenic organism. As shown in FIGS. 1A-1D, the receptacle 100 is a single-piece receptacle that includes a body 105 having a generally cylindrical upper portion 110 and a tapered lower portion 120. Formed on an outer surface of the body 105 is a laterally-extending flange, which, in the illustrated embodiment, comprises an annular ring 125, which separates the upper and lower portions of the body. The upper portion 110 of the body 105 has an open end 145 through which fluid samples are deposited or removed from the receptacle 100. The tapered lower portion 120 has a closed end 150 that may either be flat or rounded to provide optical communication with an optical system, for example, one or more optical fibers (not shown)

of a biochemical analyzer. In various embodiments, the bottom surface of the closed-ended lower portion may be flat or curved.

[00049] The receptacle 100 optionally containing a sample or reaction mixture is configured for insertion into a receptacle holder of an automated biochemical analyzer (not shown). As used herein, a receptacle that is "configured for insertion" refers to the exterior surface of the body 105 of the receptacle 100 being sized and shaped to maximize contact between the receptacle and a receptacle well of a receptacle holder. In certain embodiments, this maximal contact refers to physical contact of the receptacle well with at least a portion of the receptacle 100. Also in certain embodiments, this maximal contact refers to physical contact of the receptacle well with the tapered lower portion 120 of the receptacle 100, or at least a portion the tapered lower portion 120 of the receptacle 100.

[00050] Formed in the inner surface 140 of the upper portion 110 of the body 105 is one or more longitudinally oriented grooves 135 to facilitate the venting of air displaced from the interior upon deposit of the test sample or attachment of a cap 200 to the receptacle 100. In various embodiments, a plurality (i.e., 2, 3, 4, 5, 6, 7, or 8) of longitudinally oriented grooves may be formed in the inner surface 140 of the upper portion 110, and the grooves 135 may be equally spaced apart from one another around the entire circumference of the body 105.

[00051] Circumscribing the open end 145 of the upper portion 110 of the body 105 is a lip 155 extending radially outward from a central axis thereof. In various embodiments, the lip 155 tapers from the outer-most portion of the radially-extended lip towards the open end of the body, and is configured for securable attachment to a cap 200 (FIGS. 2A-2D).

[00052] With reference now to FIGS. 2A-2D, the securable cap 200 includes a lower portion 220 having an outer surface for sealing engagement of the inner surface 140 of the upper portion 110 of the receptacle 100 and an upper portion 210. To ensure an essentially leak-proof seal when the cap 200 is securely attached to the open end 145 of the upper portion 110 of the receptacle 100, the outer surface of the lower portion 220 of the cap 200 is formed with one or more annular ribs 230 for contacting the inner surface 140 of the upper portion 110 thereof. In various embodiments, the lower portion 220 of the cap 200 is

formed with 1, 2, or 3 annular ribs 230 for contacting the inner surface 140 of the upper portion 110 of the receptacle 100.

[00053] The upper portion 210 of the cap 200 includes an open end 215 for frictional attachment to a portion of a receptacle transport mechanism 300 (FIG. 3A), such as a tubular probe of a pipettor or pick-and-place robot. Guiding insertion of the receptacle transport mechanism 300 into the open end 215 of the upper portion 210 of the cap 200 are one or more linear ribs 260 formed in the inner surface 270 of the upper portion 210. The linear ribs 260 protrude towards an axial center of the cap 200, thereby decreasing the inner fitment diameter of the upper portion 210 of the cap 200. Each linear rib 260 may be beveled (as at 262) at an upper, or proximal, end thereof. These linear ribs 260 can, among other things, enhance the frictional attachment to the receptacle transport mechanism 300. In various embodiments, 1, 2, 3, 4, 5, 6, 7, or 8 linear ribs 260 are formed in the inner surface 270 of the cap 200 and extend at least a portion of the way down the length of the upper portion 210 thereof.

[00054] At least one of the linear ribs 260 may be formed with a portion 265 thereof, e.g., at a lower, or distal, end, that gradually tapers radially inward toward a central axis of the upper portion 210 of the cap. In other words, the amount of protrusion of the linear rib 260 may gradually increase in size as the linear rib 260 approaches the bottom 245 of the upper portion 210 of the cap 200. Alternatively, or in addition thereto, in certain embodiments, the linear rib 260 may gradually increase in overall thickness as it approaches the bottom 245 of the upper portion 210 of the cap 200. Thus, gradual increase in thickness or radial geometry is contemplated for the gradual tapering of the one or more linear ribs 260, which serves to stabilize and center the receptacle transport mechanism 300 as it is lowered into the cap 200 for transport.

[00055] Corresponding with each linear rib 260 and disposed on the exterior surface of the upper portion 210 of the cap 200 are one or more indentations, or recesses, 234 that extend along at least part of the length thereof. The recesses may be formed in any shape such as, for example, concave, notched, squared, etc. Thus, at least one recess 234 is formed in the exterior surface of the upper portion 210 of the cap 200. In various embodiments, the length of the recess 234 is the same as the length of the corresponding

linear rib 260, and each linear rib 260 is positioned such that it lies on the inner surface 270 of the cap 200 in a location that directly opposes the position of the at least one recess 234 formed on the outer surface of the cap 200 in a one-to-one relationship. The coupling of a linear rib 260 with an recess 234 in this manner enhances the predictability of the frictional attachment of the cap 200 to a receptacle transport mechanism 300. In certain embodiments, as the receptacle transport mechanism 300 is lowered into the open end 215 of the cap 200, it contacts the one or more linear ribs 260, thereby pressing against the one or more linear ribs 260. Such pressing against the linear ribs 260 causes the cap 200, and recesses 234 to flex and/or expand radially outward with respect to the axial center thereof to accommodate the receptacle transport mechanism 300 and thus enhance frictional attachment of the cap 300 to the receptacle transport mechanism 300. Accordingly, 1, 2, 3, 4, 5, 6, 7, or 8 recesses 234 may be formed on the exterior surface of the upper portion 210 of the cap 200.

**[00056]** Circumscribing the open end 215 of the upper portion 210 of the cap 200 is a lip 225 extending radially outward from a central axis thereof. In various embodiments, the lip 225 tapers from the open end 215 towards the lower portion 220. Protruding from the taper of the lip 225 are a plurality of protrusions 235. The protrusions 235 may be equally spaced apart from one another and facilitate stacking and/or docking within a well of a multi-well tray 400 (FIG. 4A) for use in an automated biochemical analyzer. In various embodiments, 1, 2, 3, 4, 5, 6, 7, or 8 protrusions 235 are formed in the taper of the lip 225.

**[00057]** In various embodiments, the cap 200 is removed from the receptacle transport mechanism 300 by means of a sleeve 306 coaxially disposed over a tip of the receptacle transport mechanism 300 and axially movable with respect to thereto. The sleeve 306 moves axially with respect to the tip toward a distal end of the tip and contacts the lip 225 of the cap, thereby pushing the cap off the tip of the receptacle transport mechanism 300.

**[00058]** Separating the upper portion 210 from the lower portion 220 of the cap 200 is a flange 240 that extends radially away from an axial center thereof. The flange 240 includes a plurality of locking arms 250 that extend from the flange 240 toward the lower portion 220 of the cap 200. The locking arms 250 are shaped for securely engaging the lip 155 of the receptacle 100, and may be disposed to allow for removable attachment of the cap 200

to the receptacle 100, while maintaining a leak-proof seal of the contents thereof. In various embodiments, 1, 2, 3, 4, 5, 6, 7, or 8 locking arms 250 are formed in the cap 200.

[00059] The flange 240 of the cap 200 additionally serves to form a bottom 245 to separate the upper portion 210 from the lower portion 220, thereby closing the interior of the receptacle 100 from the environment. However, in certain embodiments, the bottom 245 is scored 255 for piercing by a mechanism for collecting and/or adding reagents to the test sample within the receptacle 100. Such piercing avoids the need to remove the secured cap 200 from engagement with the receptacle 100, while providing access to the contents therein.

[00060] The receptacle 100 and cap 200 of the present disclosure may be prepared from a number of different polymer and heteropolymer resins, including, but not limited to, polyolefins (*e.g.*, high density polyethylene ("HDPE"), low density polyethylene ("LDPE"), a mixture of HDPE and LDPE, or polypropylene), polystyrene, high impact polystyrene and polycarbonate. An example of an HDPE is sold under the trade name Alathon M5370 and is available from Polymerland of Huntsville, N.C.; an example of an LDPE is sold under the trade name 722 and is available from The Dow Chemical Company of Midland, Mich.; and an example of a polypropylene is sold under the trade name Rexene 13T10ACS279 and is available from the Huntsman Corporation of Salt Lake City, Utah. Although LDPE is a softer, more malleable material than HDPE, the softness of LDPE provides flexibility in the locking arms 250 of the cap 200 to securably engage the lip 155 of the receptacle 100. And, while a cap made of HDPE is more rigid than one made of LDPE, this rigidity tends to make an HDPE cap more difficult to penetrate than one made of LDPE. It should be understood that the receptacle 100 and cap 200 may be comprised of a combination of resins, including, for example, a mixture of LDPE and HDPE, preferably in a mixture range of about 20% LDPE:80% HDPE to about 50% LDPE:50% HDPE by volume. In addition, the amounts of LDPE and HDPE used to form each of the receptacle 100 and cap 200 may be the same or different. In various embodiments, at least a portion of the cap 200 is formed from an opaque material having low to no autofluorescence characteristics. Also, in certain embodiments, the portion of the cap 200 formed from an opaque material having low to no autofluorescence characteristics is at least the lower portion 220 thereof, including the inner surface 232 of the lower portion 220 of the cap 200.

[00061] Regardless of the type or mixture of resins chosen, the receptacle 100 and cap 200 are preferably injection molded as unitary pieces using procedures well-known to those skilled in the art of injection molding, including a multi-gate process for facilitating uniform resin flow into the receptacle and cap cavities used to form the shapes thereof. Uniform resin flow is desirable for achieving consistency in thickness, which is important for a variety of reasons, including for the penetrable bottom 245 of the cap 200; to ensure a secure, such as an air-tight, engagement of the cap 200 and receptacle 100; to ensure a predictable engagement of the cap 200 with the receptacle transport mechanism 300; and to ensure maximal contact of the receptacle 100 with a receptacle well of a receptacle holder.

[00062] As shown in FIG. 3A, the tip of a receptacle transport mechanism 300, (e.g., an automated pipettor or other pick and place apparatus) may include one or more annular ribs, as indicated at 302 and 304, for enhancing a frictional, interference fit between the tip 300 and a component into which the tip 300 is inserted, such as the cap 200 or a pipette tip (not shown). In the case of a cap, such as cap 200, the tip 300 may be inserted into the cap and removed from the cap several times during the course of a process that is performed using the cap and a receptacle to which it is attached, such as a diagnostic assay. As the cap may be made of a plastic material, such repeated insertion and removal of the tip 300 into and out of the cap may result in creep in the plastic material (permanent or semi-permanent deformation) that can result in a poor frictional connection between the tip 300 and the cap 200.

[00063] Thus, in various embodiments, the cap may be provided with internal relief structures, or detents, that cooperatively engage one or both of the annular ribs 302, 304 to enhance the securement of the cap to the tip.

[00064] An embodiment of a cap having such a relief or detent feature is indicated by reference number 900 in FIG. 3C. Cap 900 includes an upper portion 910, a lower portion 920, an annular flange 940 with locking arms 950 extending axially therefrom, and an opening 915 that defines an inner-surface 970. In various embodiments, cap 900, like cap 200 described above, is configured to engage a receptacle 100 by means of the locking arms 950 engaging the lip 155 surrounding the opening of the upper portion 110 of the receptacle 100. The cap 900 further includes a number of longitudinal ribs 960 extending axially

along the inner surface 970. In various embodiments, the ribs 960 are equiangularly spaced about the inner surface 970. In one embodiment, each rib 960 has associated therewith a longitudinally-extending indentation, or recess, 934 formed on an exterior surface of the upper portion 910 opposite the rib 960. The recess 934 may be in the form of a longitudinally extending, concave groove, which, in various embodiments, may be the same length as the rib 960. Each rib 960 includes an enlarged portion 965 at a lower distal end thereof. In one embodiment, the rib 960 includes a tapered transition between the upper narrower portion of the rib 960 and the larger lower portion 965. Larger portion 965 may extend through a transition between the generally cylindrical inner surface 970 of the upper portion 910 and a tapered, e.g., conical, surface 972.

[00065] As discussed elsewhere in this disclosure, in various embodiments each rib 960 and associated recess 934 cooperate to allow radial flexure of the rib 960 that enables the rib to conform to the general shape of a portion of a receptacle transfer mechanism inserted into the cap 900.

[00066] One or more of the longitudinal ribs 960 further includes a relief, or detent, 964 defined as a portion of the enlarged section 965 of the rib 960 that is removed or scalloped out, as shown in FIG. 3C to define a concave recess or cavity in the lower end of the rib 960. As shown in FIG. 3D, each relief 964 receives the lower annular rib 302 of the receptacle transport mechanism 300. The inter engagement of the annular rib 302 with the relief 964 enhances the frictional securing of the cap 900 to the receptacle transport mechanism 300.

[00067] In various embodiments, a detent 964 is formed in every one of the longitudinal ribs 960.

[00068] An alternate embodiment of a cap having a relief, or detent, feature for securing the cap to a receptacle transport mechanism is indicated by reference number 1000 in FIG. 3E. Cap 1000 includes an upper portion 1010 and a lower portion 1020. An annular flange 1040 extends radially from the cap 1000 and has a plurality of locking arms 1050 extending axially therefrom. In various embodiments, cap 1000 is configured to interlock with a

receptacle 100 by means of the locking arms 1050 engaging a lip 155 surrounding an opening at the upper end 110 of the receptacle 100.

[00069] Cap 1000 has a number of longitudinal ribs 1060 extending axially along an inner surface of the upper portion 1010. In various embodiments, the ribs 1060 are equiangularly spaced about the inner surface of the upper portion. In one embodiment, each rib 1060 has associated therewith a longitudinally-extending indentation or recess 1034 formed on an exterior surface of the upper portion 1010 opposite the rib 1060. The recess 1034 may be in the form of a longitudinally extending, concave groove, which, in various embodiments, may be the same length as the rib 1060.

[00070] In various embodiments, each rib 1060 transitions into an enlarged, portion 1065 near a lower, distal end thereof. Various embodiments may include a tapered transition between the enlarged portion 1065 and a non-enlarged portion of the rib 1060.

[00071] As discussed elsewhere in this disclosure, in various embodiments each rib 1060 and associated recess 1034 cooperate to allow radial flexure of the rib 1060 that enables the rib to conform to the general shape of a portion of a receptacle transfer mechanism inserted into the cap 1000.

[00072] A relief, or detent, is provided in one or more of the ribs 1060 by a window, or opening, 1064 cutout of the cap 1000 near the transition between the upper, relatively straight-sided surface 1070 and the lower, tapered portion 1072 of the upper portion 1010. As shown in FIG. 3E, each opening 1064, combined with the enlarged portion 1065 of the rib 1060 located directly above each opening 1064, forms a relief or detent that receives the lower annular rib 302 of the receptacle transport mechanism 300. In various embodiments, an opening 1064 is provided in each of at least two ribs 960. In various embodiments, two openings 1064 are provided at diametrically opposed positions.

[00073] The relief, or detent structure, provided by the opening 1064 of cap 1000 or the relief 964 or detent of cap 900 physically engages a portion of the tip 300, such as the annular rib 302, to frictionally secure the cap 900, 1000 on to the receptacle transport mechanism 300 with minimal or no deformation of the plastic material in the vicinity of the relief, thereby avoiding or limiting creep of the plastic material in the vicinity of the detent.

### **Method for Automated Removal of a Cap**

[00074] Occasionally, after process is performed on the cap-receptacle assembly and its contents, such as, for example, centrifugation or incubation under isothermal or thermocycling conditions, it is necessary to access the interior of the receptacle to remove substances therefrom and/or to add substances thereto. Accordingly, in such instances, it becomes necessary to remove the cap 200 (or 900 or 100), from the receptacle 100 to which it is lockingly attached.

[00075] In another aspect, disclosed herein is a method for automated removal of a cap from a capped reaction receptacle. The method includes providing a receptacle 100 securably engaging the lip 155 of a receptacle 100, as shown in FIG. 3B. Thereafter, performing an automated motion of contacting an inner portion 280 of at least one of the plurality of locking arms 250 of the cap 200 with a raised annular ridge defined around a receptacle slot. The receptacle slot may be provided in a receptacle holder of an automated biochemical analyzer, alternatively the receptacle slot may be provided in a card or cartridge intended to be removed from an automated biochemical analyzer. The contacting urges the locking arms 250 away from the lip 155 of the receptacle 100, thereby disengaging the cap 200 from the receptacle 100. While the cap 200 is being disengaged from the receptacle 100, an automated motion is performed to lift the cap 200 away from the receptacle 100, thereby removing the cap 200 from the receptacle 100. In various embodiments, the automated motion is performed by a receptacle transport mechanism 300 (FIG. 3A), such as, for example, a pipettor or pick-and-place robot.

[00076] An apparatus for removing a cap from a receptacle in an automated fashion is indicated by reference number 1260 in FIGS. 12 and 13. FIGS. 12 and 13 are partial top and bottom perspective views, respectively, of a cap removal tray 1260. The tray 1260 includes a base 1262 generally surrounding the tray, and a top wall 1264 supported on the base 1262. An assembly comprising the cap 200 and receptacle 100 is shown inserted into one of the plurality of cap removal stations 1266 for removing the cap 200 from the receptacle 100, as will be described below. As shown in FIG. 13, when inserted into an opening 1268 of the cap removal station 1266, the receptacle 100 extends below the top wall 1264. Accordingly, in a preferred embodiment, the base 1262 has sufficient height to

accommodate the length of the receptacle 100 projecting through the cap removal station 1266 and beneath the top wall 1264.

[00077] In FIGS. 12 and 13, which are partial views of the cap removal tray 1260, a matrix of nine cap removal stations 1266 is shown. The cap removal tray 1260 may have any number of cap removal stations 1266. In various embodiments, the cap removal stations 1266 are oriented in aligned rows and columns. As will be described below, after the cap 200 is removed from the receptacle 100, the receptacle 100 remains within the cap removal station 1266. Accordingly, by orienting the cap removal stations 1266 in aligned rows and columns, a spatially indexed orientation is provided so that a receptacle transport mechanism (e.g., an automated pipettor) can accurately identify and/or access any of the receptacles retained within the cap removal tray 1260.

[00078] Each cap removal station includes a raised collar 1270 surrounding the opening 1268 and extending above the top wall 1264. A plurality of resilient tabs 1272, e.g., four, surround the opening 1268 and extend below the top wall 1264. In various embodiments, each of the tabs 1272 is angled radially inwardly relative to the center of the opening 1268.

[00079] The manner in which a cap is removed from a receptacle by the cap removal station 1266 is shown by the sequence illustrated in FIGS. 14A, 14B, 14C.

[00080] As shown in FIG. 14A, when an assembly comprising a cap 200 and receptacle of 100 is inserted through the opening 1268 of a cap removal station 1266 the annular ring 125 formed on the receptacle 100 engages the lower ends of the resilient tabs 1272, which are angled inwardly so that the distance between the tabs at their lower or distal ends 1274 is less than the diameter of the annular ring 125. The force of the annular ring 125 being pushed through the resilient tabs 1272 pushes the tabs outwardly, as shown in FIG. 14A, to thereby permit the receptacle to be pushed through the tabs 1272.

[00081] The raised collar 1270 has an outer surface that angles away from the opening 1268 with a larger width (e.g., diameter) at the base of the collar than at the tip of the collar and is configured so that the top edge of the raised collar 1270 will fit inside the undeflected locking arms 250 of the cap 200 to contact the an inner portion 280 (see FIG. 2B) of the locking arms 250.

[00082] As shown in FIG. 14B as receptacle 100 is pushed through the opening 1268 the locking arms 250 slide along the exterior surface of the raised collar 1270, which is angled outwardly progressing from the top of the collar to the base of the collar, thereby pushing the locking arms outwardly, out of engagement with the lip 155 of the receptacle 100. Further, as the annular ring 125 of the receptacle 100 clears the lower ends 1274 of the resilient tabs 1272, the tabs 1272 snap resiliently toward their undeflected positions bearing against an outer surface the receptacle 100 above the annular ring 125.

[00083] The lip 155 of the receptacle 100 is spaced apart from the annular ring 125 of the receptacle 100 by a distance generally corresponding to the distance between the top edge, or upper tip, of the raised collar 1270 and the lower ends 1274 of the resilient tabs 1272. Moreover, the width, or diameter, of the upper edge of the raised collar 1270 generally corresponds to the width, or diameter, of the lip 155 surrounding the opening of the receptacle. Thus, the receptacle 100 continues to be moved through the opening 1268, the angled outer surface of the raised collar 1270 moves the locking arms 250 out of engagement with the lip 155, and the lip 155 into contact with the top edge of the raised collar 1270. At this time, the annular ring 125 of the receptacle 100 clears the lower ends 1274 of the resilient tabs 1272. The receptacle is then essentially locked within the cap removal station 1266, with the resilient tabs 1272 and the raised collar 1270 disposed between the lip 155 and the annular ring 125. The contact between the underside of the lip 155 and the top edge of the raised collar 1270 prevents the locking arms 250 from reengaging the lip 155.

[00084] As shown in FIG. 14C, when the cap 200 is then raised, its locking arms 250 are no longer engaged with the lip 155 of the receptacle 100, and the receptacle 100 is retained within the cap removal station 1266 by the annular ring 125 in contact with the lower ends 1274 of the resilient tabs 972. Thus, the cap 200 can be separated from the receptacle 100, and the receptacle 100 is retained within the cap removal station 1266 of the cap removal tray 1260.

[00085] Although the cap removal stations 1266 of the cap removal tray 1260 and the cap 200 and receptacle 100 are shown as having generally circular shapes, the concepts embodied in the cap removal stations 1266 are applicable to different shapes. For example,

a cap removal station may have a rectangular shape for remove a cap having similar a rectangular shape from a receptacle also having a similar rectangular shape.

[00086] In various embodiments, the cap removal tray 1260 comprises an integrally-molded plastic component, and raised collar 1270 and resilient tabs 1272 of each cap removal station 1266 are integrally formed within the top wall 1264.

### **Multi-Well Tray**

[00087] In another aspect, disclosed herein is a multi-well tray for use in an automated process. Referring now to FIGS. 4A and 4B, a multi-well tray 400, as shown, includes a base 410 having disposed in a top surface 417 thereof, a plurality of wells 415, 416. A card insert 420 (see also FIG. 5A) configured for removable attachment to the base 410, is attached thereto. When the card insert 420 is attached to the base 410, a top surface 425 of the card insert 420 is substantially parallel to and flush with the top surface 417 of the base 410.

[00088] Disposed in the top surface 425 of the card insert 420, is a plurality of wells 430, each configured for containing one or more reagents used for performing a biochemical analysis. Each well 430 of the card insert 420 corresponds to at least one of the wells 415 disposed in the base 410. Thus, in certain embodiments, after attachment of the card insert 420 to the base 410, the multi-well tray 400 takes on the uniform appearance of, for example, a multi-well plate. The wells 415, 416 disposed in the base 410 may be arranged in pairs, where each pair corresponds to a single well 430 of the card insert 420. As such, the multi-well tray 400 may include a plurality of sets 435 of wells, where each set 435 includes a first well 415 and a second well 416, which are disposed in the top surface 417 of the base 410, and a third well 430 disposed in the top surface 425 of the card insert 420. The wells of each set 435 of wells may be in alignment with each other, thereby resulting in a multi-well tray 400 that is spatially indexed such than an automated receptacle transport mechanism 300 can accurately identify and/or access any of the plurality of wells when the multi-well tray 400 is placed or inserted into an automated system. In certain embodiments, the multi-well tray 400 includes ten sets 435 of wells. As such, the base 410 is formed with ten pairs of first and second wells 415, 416 and the card insert 420 is formed with ten third

wells 430, where each of the first, second, and third wells of the set 435 are arranged in alignment with each other. Thus, the multi-well tray 400 may include ten receptacles 100 and ten caps 200 provided therein for used in an automated biochemical analyzer.

[00089] The first and second wells 415, 416 of the set 435 are configured to receive a cap 200 and a receptacle 100, respectively. While it should be understood that the terms "first" and "second" as used to distinguish the wells formed in the base 410, for descriptive purposes, the "first well", or cap well, 415 will refer to a well configured to receive a receptacle cap 200.

[00090] With reference now to FIGS. 7A and 7B, the first well 415 of the base 410 is defined by a cylindrical wall 470 and a bottom wall 472. Formed in the center of the bottom surface 472 is a protrusion 475 extending upwardly toward the top surface 417 of the base 410. The protrusion 475 is sized and shaped for engagement, optionally frictional engagement, with a hollow portion 232 of the lower portion 220 of the cap 200. Alternatively, or in addition thereto, the cylindrical wall 470 may be formed with a plurality of tabs 477 protruding towards the axial center of the first well 415. Such tabs 477 are configured for securely engaging at least a portion of the cap 200 to prevent the cap 200 from dislodging from the multi-well tray if, for example, the multi-well tray is inverted or shaken. In certain embodiments, 2, 3, 4, 5, 6, 7, or 8 tabs 477 are formed in the cylindrical wall 470 of the first well. Each of tabs 477 may securely engage the top surface of the flange 240 of the cap 200.

[00091] Similarly, the "second well", or receptacle well, 416 will refer to a well configured to receive a receptacle 100. As shown in FIGS. 7A and 7B, the second well 416 is defined by a cylindrical wall 480 and a bottom wall 482. Formed in the center of the bottom wall 482 is a through-hole 485. The through-hole 485 is sized and shaped in conformance with the outer surface of the lower portion 120 of the receptacle 100. As such, the through-hole may be tapered at an angle corresponding to the angle of the lower portion 120. As shown in FIG. 7A, the bottom wall 482 of the second well 416 forms an annular ledge at the perimeter of the through-hole for engaging the ring 125 of the receptacle 100. Alternatively, or in addition thereto, the cylindrical wall 480 may be formed with a plurality of legs 487 protruding towards the axial center of the second well 416.

Such legs 487 are configured for securely engaging at least a portion of the receptacle 100 to prevent the receptacle 100 from dislodging from the multi-well tray if, for example, the multi-well tray is inverted or shaken. In certain embodiments, 2, 3, 4, 5, 6, 7, or 8 legs 487 are formed in the cylindrical wall 480 of the second well 416. Each of the legs 487 may securely engage the top surface of the ring 125 of the receptacle 100.

[00092] As discussed above, the third well, or reagent well, 430 of each set 435 contains one or more reagents for performing a biochemical analysis. In certain embodiments, the third well 430 of the set 435 contains a lyophilized reagent 495 (FIGS. 8 and 9C), and may be sealed with a frangible seal 440 (FIG. 8). For example, each well 430 of the card insert 420 may be sealed with a metallic foil (or foil laminate) using, for example, a pressure sensitive adhesive which is applied to the top surface 425 thereof. The frangible seal 440 may further include a plastic liner, such as a thin veneer of HDPE applied to one or both surfaces thereof, which promotes attachment of the frangible seal 440 to the top surface 425 when a heat sealer is used. Heat sealing is a well-known process and involves the generation of heat and the application of pressure to the surface being sealed, which, in this case, is the top surface 425 or a raised lip 427 (see FIGS. 4A, 5A) surrounding the well 430 of the card insert 420. Alternatively, any known ultrasonic welding procedure using either high frequency or high amplitude sound waves may also be used to affix the frangible seal 440 to the card insert 420. The card insert 420 may include a plurality of frangible seals 440, each of which sealing a single well 430, or may include a single sheet that seals all wells 430 disposed therein.

[00093] A single lyophilized reagent 495 may be provided in each well 430 of the card insert 420. However, in certain embodiments, one or more wells 430 of the card insert 420 may contain a different lyophilized reagent 495, such as a different target-specific reagent. Thus, each well 430 of the card insert 420 may contain a distinct lyophilized reagent 495 compared with the lyophilized reagent 495 contained in at least one other of the plurality of wells 430 therein. In various embodiments, the card insert 420 does not contain non-reagent consumables. As used herein, a "reagent" refers to a substance or mixture for use in a chemical or biochemical reaction. Thus, a "non-reagent consumable" refers to a component that is used by an automated biochemical assay, but is not a reagent. Exemplary

non-reagent consumables include, but are not limited to, contamination limiting elements, receptacles 100, and caps 200.

**[00094]** Referring now to FIGS. 5A-5E, each well 430 of the card insert 420 is defined by a side wall, or well wall, 450 and a bottom, or bottom wall or bottom wall portion, 455. In various embodiments, the side wall 450 tapers from an upper end thereof to the bottom 455, and may therefore be referred to as a conical wall. As shown in FIGS. 5B-5E, the bottom 455 of each well may be formed with one or more features to facilitate deposit of and collection of fluid from the well. Such features include, but are not limited to a concave groove 457, 460 (FIGS. 5C, 5D, 5E), convex ridge (not shown), or a set of grooves positioned in a crisscross pattern (not shown). The features may be located at the axial center of the well 430, as shown in FIG. 5C, or may be off-set to a side thereof, as shown in FIG. 5B. Alternatively, or in addition thereto, the side wall 450 may be formed with a plurality of bumps 462 on the surface thereof for additional facilitation of depositing and/or collecting fluids contained therein. The side wall 450 of each well 430 of the card insert 420 may further be formed with a plurality of rigid guides 465 that protrude radially from the side wall 450 towards the axial center of the well 430. Such rigid guides 465 guide a pipette tip 310 (FIGS. 8 and 9C) mounted on an automated pipettor toward the axial center of the well 430 as the tip is lowered therein, and may further serve to retain the lyophilized reagent at, or adjacent to, the bottom 455 of the well 430. In various embodiments, each well 430 may be independently formed with 2, 3, 4, 5, 6, 7, or 8 rigid guides 465 protruding from the respective tapered side wall 450.

**[00095]** The features formed at the bottom 455 of the well 430, such as grooves, ridges, and/or bumps, interfere with the end of a pipette tip inserted into the well 430 and thus prevent the end of the pipette tip from making sealing contact with the bottom 455 so as to prevent a negative pressure build up within the pipette tip during a fluid aspiration. For example, as shown in FIG. 5E, a feature formed on the bottom 455 of well 430, such as groove 457, provides a clearance that prevents a pipette tip 310 from making sealing contact with the bottom 455 of the well 430.

**[00096]** Additionally, in certain embodiments, the side wall 450 of each well 430 of the card insert 420 may include one or more retention features (FIGS. 8, and 9C-9D) that can be

used to retain the lyophilized reagent 495 at, or adjacent to, the bottom 455 of the well 430 when, for example a diluent is deposited into the well 430 for reconstitution of a lyophilized reagent. In FIGS. 9C and 9D, the retention features are shown within a well 715 of an alternative embodiment of a multi-well tray 700 described below. In various embodiments, the retention feature may include one or more protrusions or an annular ridge 800 formed above the area to be occupied by the lyophilized reagent 495, and extending toward the axial center of the well 430. Such protrusions or annular ridge 800 narrow the opening of the side wall 450 such that the opening is smaller than the diameter of the lyophilized reagent 495.

[00097] As shown in FIG. 9E, the annular ridge 800 may be formed by inserting one or more heat stakes 880 into the wells 430, such that the side wall 450 is deformed, thereby forming an annular ridge 800 therein. The one or more heat stakes 880 may be attached to an apparatus 890, which may heat the one or more heat stakes 880, thereby providing sufficient heat to deform the side wall 450 at a point along the taper where the diameter thereof equals that of the diameter of the heat stake.

[00098] In various embodiments, the retention feature may also take the form of one or more solid extensions 810 formed over the area to be occupied by the lyophilized reagent 495. Such extensions 810 connect opposing areas of the side wall 450, thereby retaining the lyophilized reagent 495 at, or adjacent to, the bottom 455 of the well 430. In various embodiments, the side wall 450 may be formed to mimic the thread of a coarse screw as shown at 820. Such a threaded feature 820 may be formed during injection molding of the well 430, or may be formed by applying a heated screw portion to the well wall, thereby forming a spiral channel along a length thereof, through which fluid may run to the bottom 455 using gravitational force. In various embodiments, the retention feature may be provided in the form of a tapered ring insert 830 that is fixedly attached to the side wall 450 either before or after deposit of the lyophilized reagent 495. The tapered ring 830 may be formed of plastic and include an exterior surface that tapers in accordance with the taper of the side wall 450. When present, the tapered ring 830 narrows the opening of the well 430 such that the lyophilized reagent 495 is retained at, or adjacent to, the bottom 455 of the well 430.

[00099] Whether the lyophilized bead 495 is formed within the well from an initially liquid reagent or the solid bead is formed outside the well and then placed into the well may depend on whether the retention feature is an integral part of the well. If the retention feature is an integral part of the well, a solid bead could not be placed into the well below the retention feature and a liquid reagent must be dispensed into the bottom of the well and then lyophilized. If the retention feature is not an integral part of the well, a lyophilized bead could be placed into the well, and then the retention feature installed in the well over the lyophilized bead.

[000100] As shown in FIG. 9D, the inner surface of a well wall may be substantially vertical as at 840, while an exterior surface of the well retains its tapered shape. In certain embodiments, the inner surface of the well wall may be substantially vertical as at 840, while the exterior surface of the well is also substantially vertical (not shown). When present, the vertical wall 840 allows the entirety of a liquid reagent to be lyophilized to settle at the bottom 455 of the well, thereby ensuring reagent uniformity upon lyophilization.

[000101] In various embodiments, as also shown in FIG. 9D, the retention feature may be in the form of a capillary insert 850 that is fixedly attached to the well wall. The capillary insert 850 may be formed of plastic and include an exterior surface that tapers in accordance with the taper of the well wall. In an exemplary embodiment, the well and capillary insert 850 may be formed as a single unit. The capillary insert 850 may not extend completely to the bottom of the well, thereby defining a chamber 856 below a bottom end of the capillary insert 850. The inner surface of the capillary insert 850 may include substantially vertical walls forming a capillary channel 852 extending from an upper end of the insert to a lower end of the insert through which fluid will flow via capillary attraction, and within which the fluid will be retained as a result of the combination of surface tension and adhesive forces between the fluid and the walls of the capillary channel. The capillary insert 850 may further include an open upper end 854 that tapers from a top surface of the insert 850 to the channel 852. Thus, when a capillary insert 850 is present in a well and a liquid reagent to be lyophilized is deposit therein, the reagent remains held within the capillary channel thereof, and is prevented from flowing into the bottom of the well. After lyophilizing the liquid reagent, the lyophilized reagent 495 remains lodged within the channel 852 of the

capillary insert 850. Deposit of a diluent for reconstitution of the lyophilized reagent 495 is accomplished by addition of the diluent to the tapered open upper end 854 of the capillary insert 850. The diluent then flows within the capillary channel 852 via capillary attraction, and is retained therein as a result of the combination of surface tension and adhesive forces between the diluent and the walls of the capillary channel 852. Once reconstituted, the reagent may be collected by insertion of the pipette tip 310 into the tapered open upper end 854 of the capillary insert 850 and withdrawing the liquid reagent therefrom. The entirety of the liquid reagent may therefore be collected at the tapered open upper end 854 of the capillary insert 850 since the liquid will travel upwards due to capillary attraction within the channel 852 of the capillary insert 850.

[000102] Alternatively, or in addition thereto, the bottom 455 of the well can be formed to include a roughened surface, thereby providing sufficient surface area to which the lyophilized reagent 495 will adhere upon formation thereof. Alternatively, or in addition thereto, the lyophilized reagent 495 will adhere to, or adjacent to, the bottom 455 of the well 430 through a static electrical attractive force created on the well wall 450 and/or bottom 455 of the well 430. In such embodiments, the inner surface of the well 430 is provided with an electrical charge such that the lyophilized reagent 495 adheres thereto.

[000103] In various embodiments, the retention feature may take the form of an insert through which the pipette tip 310 may be inserted. For example, as shown in FIG. 9D the retention feature may be a fingered collar 860 that is fixedly attached to a top portion of the well. The fingered collar 860 may be formed of plastic and include an exterior surface that tapers in accordance with the taper of the well wall. The fingered collar 860 may include one or more (*i.e.*, 1, 2, 3, 4, 5, 6, 7, or 8) fingers extending from a bottom surface thereof, and protruding along a radius of curvature toward the axial center of the well. The one or more fingers may be flexible such that contact with a pipette tip 310 inserted therein causes the fingers to flex toward the well wall, thereby allowing the pipette tip 310 to pass there through. Upon withdrawal of the pipette tip 310, the fingers return to a rest position such that the fingers protrude along the radius of curvature toward the axial center of the well.

[000104] In an alternative embodiment, the retention feature may take the form of a collar 870 that resembles the fingered collar 860, but does not include the one or more fingers

protruding therefrom. Such a collar 870 may be fixedly attached to a top or center portion of the well wall, and may be formed of plastic and include an exterior surface that tapers in conformance with the taper of the well wall. When present, the collar 870 narrows the well wall to retain the lyophilized reagent 495 at, or adjacent to, the bottom 455 of the well, while allowing the pipette tip 310 to pass there through.

**[000105]** Each of the base 410 and card insert 420 may be independently constructed of an injection molded plastic, such as the plastics described above. The plastic used to form the base 410 may be the same or different from the plastic used to form the card insert 420. For example, the card insert 420 may be formed from a plastic having lower permeability to air and/or moisture than the plastic forming the base 410. Such plastics may be more expensive than their conventional counterparts but, due to the decreased air and moisture permeability, provide for enhanced stability of reagents, such as lyophilized reagents contained in the wells thereof. Any exterior surface of the base 410 or card insert 420 may further include one or more identifying labels 490, such as a barcode, 2D barcode, quick response (QR) code, radio frequency identification (RFID), or other human or machine readable indicia, disposed thereon. The information carried on such label may include identifying information regarding the multi-well tray 400 and/or card insert 420, including information regarding the reagents contained therein, such as lot number, serial number, assay type, expiration date, etc. In various embodiments, the base 410 may include one or more barcodes and/or QR codes on a side surface thereof for identifying assays to be performed by the automated biochemical analyzer.

**[000106]** As shown in FIG. 4B, the base 410 may be formed with one or more locking arms 445 positioned for locking engagement with the card insert 420. Additionally, the card insert 420 may be formed with one or more corresponding lock-holes 447 for receiving the locking arms 445 of the base 410. Once secured into the base 410 by the locking arms 445 and/or the lock-holes 447, the card insert 420 is prevented from detachment therefrom. However, in certain embodiments, locking arms 445 may be moved out of locking engagement with the card insert 420 to release the card insert 420 from the base 410. Such releasable engagement provides for reuse of the base 410, if necessary, and/or replacement of a card insert 420 should the need arise.

[000107] As shown in FIG. 6A, base 410 may be further formed with one or more locking fingers 422 disposed on a side surface thereof. The locking fingers 422 are configured for releasably engaging a rack to secure the base 410 to the rack for use in automated processing. In various embodiments, the base 410 may further include a release 437 for urging the locking fingers 422 away from the engaging surface of the rack to facilitate removal therefrom.

[000108] As shown in FIG. 6B, the card insert 420 may be secured to the base 410 by means of locking features 424 disposed along opposed sides of the card insert 420 that are configured for locking engagement with cooperating ledges 412 formed in the base 410

[000109] FIGS. 9A-9E show an alternative embodiment of a multi-well tray 700. Referring now to FIGS. 9A and 9B, the multi-well tray 700 includes a base 710 having disposed in a top surface 717 thereof, a plurality of wells 715. The base 710 also includes an arm 720 for engagement by a transport mechanism, such as a rotary distributor (not shown) for transport within an automated biochemical analyzer. As shown in FIG. 9B, the bottom surface 730 of the base 710 is formed with one or more snap fingers 735, which define a slot 740 into which an element (not shown) of the biochemical analyzer is inserted. Thus, snap fingers 735 grasp the element (not shown) of the biochemical analyzer, thereby forming a secure attachment thereto.

[000110] In this alternative embodiment, all of the wells 715 are configured to contain one or more reagents used for performing automated biochemical analysis. Similar to the wells 430 of the multi-well tray insert 420, each well 715 is defined by an inner side wall 750 and a bottom 755. In various embodiments, the side wall 750 tapers from a top portion of the well 715 to the bottom 755, as shown in FIG. 9C.

[000111] As discussed above, the bottom 755 of each well 715 may be formed with one or more features to facilitate deposit of and collection of fluid from the well. Such features include, but not limited to a concave groove 457, 460 (FIGS. 5B-5D), a convex ridge (not shown), or a set of grooves positioned in a crisscross pattern (not shown). The features may be located at the axial center of the well 715, as shown in FIG. 5C, or may be off-set to a side thereof, as shown in FIG. 5B. Alternatively, or in addition thereto, the inner wall 750

may be formed with a plurality of bumps 462 (FIGS. 5B-5D) on the surface thereof for additional facilitation of depositing and/or collecting fluids contained therein. The inner wall 750 of each well 715 of the card 700 may further be formed with a plurality of rigid guides 465 (FIG. 5B) that protrude radially from the inner wall 750 towards the axial center of the well 715. Such rigid guides 465 guide the tip 310 (FIGS. 8 and 9C) mounted on an automated pipettor toward the axial center of the well 715 as the tip is lowered therein, and may further serve to retain the lyophilized reagent 495 at, or adjacent to, the bottom 755 of the well 715. In various embodiments, each well 715 may be independently formed with 2, 3, 4, 5, 6, 7, or 8 rigid guides protruding from the respective tapered well wall 750.

[000112] Additionally, in certain embodiments, the inner well walls 750 of each well 715 of the card 700 may include one or more retention features 800, 810, 820, 830, 840, 850, 860, 870 (FIGS. 8 and 9C-9D), as described above, configured to retain the lyophilized reagent 495 at, or adjacent to, the bottom 755 of the well 715 when, for example a diluent is deposited into the well 715 for reconstitution. In various embodiments, the retention features may include an annular ridge 800 formed above the area to be occupied by the lyophilized reagent 495, and extending toward the axial center of the well 715. In various embodiments, the retention features may also take the form of one or more solid extensions 810 formed over the area to be occupied by the lyophilized reagent 495. Such extensions 810 connect opposing areas of the well wall 750, thereby retaining the lyophilized reagent 495 at, or adjacent to, the bottom 755 of the well 715. In various embodiments, the well 715 may include any of the various inserts 830, 850, 860, or 870, as discussed above. Alternatively, or in addition thereto, the well wall 750 may be a vertical wall 840 or may be formed to include a screw thread (*i.e.*, a spiral channel) 820. Alternatively, or in addition thereto, the bottom 755 of the well can be formed to include a rough surface, thereby providing sufficient surface area to which the lyophilized reagent 495 will adhere upon formation thereof. Alternatively, or in addition thereto, the lyophilized reagent 495 will adhere to the bottom 755 of the well 715 through a static electrical attractive force created on the well wall 750 and/or bottom 755 of the well 715.

### **Cartridge With Communicating Wells**

**[000113]** In another aspect of the disclosure, a cartridge 500 with communicating wells for use in an automated process is shown in FIGS. 10A and 10B, which depict different alternative cartridge embodiments. The cartridge 500 includes a casing 510 having a top surface 517, a fluid chamber 520, and a fluid reservoir 515. In various embodiment, the fluid chamber 520 and the fluid reservoir 515 comprise wells open at the top surface 517. In various embodiments, as reflected in the drawings, the fluid chamber 520 has a smaller volumetric capacity than the fluid reservoir 515. As further reflected in the drawings, the perimeter of the open end of the fluid chamber 520 may be smaller than the perimeter of the open end of the fluid reservoir 515, and thus the exposed surface of a fluid in the fluid chamber 520 would be smaller than the exposed surface of a fluid in the fluid reservoir 515.

**[000114]** The fluid chamber 520 and the fluid reservoir 515 may contain the same liquid, such as a diluent or a reconstitution solution for reconstituting the lyophilized reagent (e.g., lyophilized reagent 495).

**[000115]** The cartridge 500 may be provided with one or more fluid connections between the fluid chamber 520 and the fluid reservoir 515. Thus, in various embodiments, one or more openings 525 and/or 527 between the fluid chamber 520 and the fluid reservoir 515 may include one or more channels between the fluid reservoir 515 and the fluid chamber 520 to provide a path through which a liquid or gas may flow between the fluid chamber 520 and the fluid reservoir 515. An opening, such as opening 527, between the fluid chamber 520 and the fluid reservoir 515 may be provided by a slot or hole formed in a wall separating the fluid chamber 520 and the fluid reservoir 515.

**[000116]** In various embodiments, a first opening 525 is provided proximate a lower portion of the fluid chamber 520 and the fluid reservoir 515 (e.g., at a base of the casing 510) for fluid communication between the fluid chamber 520 and the fluid reservoir 515, and a second opening 527 is provided proximate an upper end (i.e., near the open ends) of the fluid chamber 520 and the fluid reservoir 515 for fluid communication between the fluid chamber 520 and the fluid reservoir 515.

**[000117]** As shown in FIG. 10A, the cartridge 500 may also include a second fluid reservoir 530 disposed within the casing and adjacent to the fluid chamber 520. The second

reservoir 530 can be utilized to store the same or a different liquid than is stored in reservoir 515. In certain embodiments the second reservoir 530 is not in fluid communication with the fluid reservoir 515 or the fluid chamber 520. In certain embodiments the fluid reservoir 515 and the fluid chamber 520 contain a reconstitution solution, and the second reservoir 530 contains oil.

**[000118]** In various embodiments, each of the fluid chamber 520, fluid reservoir 515, and second reservoir 530 may be sealed with a seal (not shown), such as a metallic foil (or foil laminate). A seal over the fluid reservoir 515, the fluid chamber 520, and/or the second reservoir 530 may be provided to prevent spillage of fluid contents in case cartridge 500 is tipped, dropped, shaken, or inverted. The seal also prevents or retards evaporation of the fluid contents of the sealed reservoir or chamber by preventing or limiting exposure to ambient atmosphere. The seal may further include a plastic liner, such as a thin veneer of HDPE applied to one or both surfaces thereof. The seal may be secured using, for example, a pressure sensitive adhesive or heat seal securing the foil to the top surface 517 securing the seal about the perimeter of the opening of each reservoir or chamber. A plastic liner, such as a thin veneer of HDPE applied to one or both surfaces of the seal, promotes attachment of the frangible seal to the top surface 517 when a heat sealer is used. The one or more openings (525, 527) may also be sealed with a frangible seal to prevent exposure to the ambient atmosphere

**[000119]** The fluid reservoir 515 and the fluid chamber 520 and any connecting opening(s) are configured so that as fluid is removed from the fluid chamber 520, replacement fluid flows into the fluid chamber 520 from the fluid reservoir 515 (e.g., through an opening 525 provided proximate a lower portion of the fluid chamber 520 and fluid reservoir 515). Moreover, if the fluid reservoir is sealed, one or more conduits may be provided to permit air to flow into the fluid reservoir 515 (e.g., through an opening 527 provided proximate an upper portion of the fluid chamber 520 and fluid reservoir 515) as fluid is drawn out of the fluid reservoir 515 to thereby allow the pressure in the reservoir to equilibrate.

**[000120]** The chamber 520 is may be sealed with a frangible seal that is puncturable by a pipette tip. The entire volume of fluid in the fluid chamber 520 and the fluid reservoir 515 is accessible to a fluid transfer apparatus, but a relatively small surface area of that fluid –

e.g., corresponding to the width of the chamber 520 or to the size of a puncture hole formed in a seal over the chamber 520 – is exposed to air. Thus, the configuration of the cartridge 500 retards evaporation of fluids contained therein.

[000121] An amount of liquid, such as reconstitution solution, may be removed from the fluid chamber 520 within an automated pipettor and transferred to a well (e.g., well 430 or 715) to reconstitute a lyophilized reagent (e.g., lyophilized reagent 495), as described below.

[000122] The cartridge 500 may be constructed of an injection molded plastic, such as the plastics described above. As discussed above, the plastic used to form the cartridge 500 may be one having low permeability to air and/or moisture.

[000123] Any exterior surface of the cartridge 500 may further include one or more identifying labels, such as a barcode, 2D barcode, quick response (QR) code, radio frequency identification (RFID), or other human or machine readable indicia, disposed thereon. The information carried on such label may include identifying information regarding the cartridge 500, including information regarding the liquids/reagents contained therein, such as lot number, serial number, assay type, expiration date, etc.

#### **Cartridge rack**

[000124] In another aspect, disclosed herein is a cartridge rack for use in an automated process. With reference now to FIGS. 11A-11D, the cartridge rack 600 includes a chassis 610 and a handle 620. A top surface 615 of the chassis 610 is configured for releasable attachment of one or more multi-well trays 400 thereto, and therefore may include a plurality of locking members 625 for releasably engaging the locking fingers 422 of the multi-well tray 400 (see FIG. 6A). While the FIG. 11B shows that two locking members 625 are provided for each multi-well tray 400, it should be understood that the number of locking members 625 provided for each multi-well tray 400 will correspond with the number of locking fingers 422 provided on the multi-well tray 400 to be attached thereto.

[000125] Disposed on a surface of the chassis 610 is a plurality of identifying labels such as machine readable indicia 630, such as a barcode, 2D barcode, quick response (QR) code,

radio frequency identification (RFID), or other human or machine readable indicia, disposed thereon. The information carried on such label may include identifying information regarding the cartridge rack 600, multi-well tray(s) 400 attached thereto, and/or the card insert(s) 420 attached to the multi-well tray(s) 400, and/or the multi-well tray 400 position on the rack. The machine readable indicia 630 may be readable through a direct contact connection, a wired connection, or a wireless connection between the cartridge rack 600 on the automated biochemical analyzer.

[000126] In various embodiments, the chassis 610 is configured for releasable attachment of two or more multi-well trays 400 thereto, and may further be configured for releasable attachment to a cartridge with communicating wells 500. Thus, in an exemplary embodiment, five multi-well receptacles 400 and one cartridge 500 may be releasably attached to the chassis 610 for use in an automated biochemical analyzer. However, 2, 3, 4, 5, 6, 7, or 8 multi-well trays 400, and/or 1, 2, 3, or 4 cartridges 500 may be attached to the chassis 610.

#### **System for Automated reagent-Based Assay**

[000127] In another aspect, the present disclosure provides a system for an automated reagent-based assay. The system includes a multi-well tray 400 that includes a plurality of wells 430, a cartridge with communicating wells 500, and an automated pipettor positioned on a robot arm (not shown). The system includes a housing within which each of the components are located. Each well 430 of the multi-well tray 400 shown and discussed above contains a lyophilized reagent 495 and is arranged in alignment with each other. The wells 430 of the multi-well tray 400 may be sealed with a frangible seal. The multi-well tray 400 may further include a plurality of additional wells 415, 416 provided for receiving a receptacle 100 and a cap 200. When present, the additional wells are positioned in aligned pairs, and the pairs are positioned in alignment with at least one well 430 containing a reagent, such as a lyophilized reagent 495. Thus, the multi-well tray 400 may contain a plurality of sets 435 of wells, where a first well 415 contains a cap 200, a second well 416 contains a receptacle 100, and a third well contains a reagent such as a lyophilized reagent 495.

[000128] The cartridge with communicating wells 500 includes a casing 510 having a top surface 517, a fluid chamber 520. A first opening 527 is provided in the top surface of the casing having at least one side wall surface extending to, or optionally forming at least a portion of, the fluid chamber. A fluid reservoir 515 is disposed within the casing and in fluid communication with the fluid chamber. In certain embodiments, the cartridge 500 will also include a second reservoir 530 that is disposed within the casing 510 and adjacent to the fluid chamber 520.

[000129] The automated pipettor is positioned on a robot arm contained in an automated biochemical analyzer. The automated pipettor is adapted to execute a retrieval and dispense protocol for conducting biochemical reactions. The retrieval and dispense protocol may be performed by a controller (not shown) electrically connected to the robot arm and/or the automated pipettor to retrieve a portion of the reagent from the cartridge 500 and dispense the portion of the reagent into one or more wells of the multi-well tray 400, 700 or into one or more receptacles. The retrieval and dispense protocol may then be repeated for automated dispensing of the reagent into each of remaining wells of the multi-well tray 400.

[000130] In one exemplary embodiment, the automated pipettor will receive a command to perform automated actions required for performing an automated reagent-based assay. The automated pipettor is then moved by the robot arm to a position over an unused pipette tip 310 and is lowered to enable frictional attachment thereto. Once the automated pipettor, having the pipette tip 310 attached thereto, is raised such that the pipette tip 310 is not obstructed by additional unused tips and/or other components within the automated biochemical analyzer, the robot arm moves the automated pipettor into a designated position over a cartridge 500. The automated pipettor is thereafter lowered into the fluid chamber of the cartridge 500. If present, a frangible seal covering the fluid chamber is punctured by the pipette tip 310. The automated pipettor then withdraws a predetermined amount of diluent and is raised such that the pipette tip 310 is unobstructed by the cartridge 500 and/or other components within the automated biochemical analyzer.

[000131] The robot arm then moves the automated pipettor into a designated position over a spatially indexed multi-well tray 400 and then lowers the pipettor such that the pipette tip 310 punctures a frangible seal 440 (if present) covering a well 430 disposed in the card

insert 420 attached to the base 410 of the multi-well tray 400. The diluent is then deposited into the well 430 containing a lyophilized reagent 495 used in the reagent-based assay. Optionally, the automated pipettor will repeatedly aspirate and then dispense the liquid contained in the well 430 to allow sufficient time and fluidic pressure required to reconstitute the lyophilized reagent 495. The automated pipettor thereafter collects the reconstituted reagent and withdraws the pipette tip 310 from the well 430 of the multi-well tray 400 such that the pipette tip 310 is unobstructed by the well 430 and/or other components within the automated biochemical analyzer. The robot arm then moves the automated pipettor into a second designated position over the spatially indexed multi-well tray 400. The second position is selected in accordance with the set 435 of wells to which the well 430 of the card insert belongs. The automated pipettor is then lowered into a well 416 containing a receptacle 100, which may or may not contain a sample undergoing analysis. Optionally, when a sample undergoing analysis is present in the receptacle 100, the automated pipettor will repeatedly aspirate and then dispense the liquid contained in the receptacle 100 to allow sufficient time and fluidic pressure required to mix the contents of the receptacle 100 within the well 416, thereby creating a reaction mixture.

[000132] After optional mixing, the automated pipettor withdraws the pipette tip 310 from the well 416, but leaves the reaction mixture within the receptacle 100. The robot arm then moves the automated pipettor to a location over a waste receptacle and ejects the pipette tip 310. After ejection, the robot arm moves the automated pipettor to a third designated position over the spatially indexed multi-well tray 400. The third position is selected in accordance with the set 435 of wells to which the first and second wells belong. The automated pipettor is then lowered into the third well 415 containing a cap 200 to enable frictional attachment thereto. Once the automated pipettor having the cap 200 attached thereto is raised such that the cap 200 is not obstructed the well 415 and/or other components within the automated biochemical analyzer, the robot arm moves the automated pipettor into the second designated position over the well 416 containing the receptacle 100 containing the reaction mixture. The automated pipettor is then lowered such that the cap 200 is securably attached to the receptacle 100 as described above. As the automated pipettor withdraws from the well 416, the capped receptacle attached thereto is withdrawn

from the well 416 of the multi-well tray 400 for transport to, for example, a thermocycler for automated incubation.

[000133] In another exemplary embodiment, the automated pipettor will receive a command to perform automated actions required for performing an automated reagent-based assay. The automated pipettor is then moved by the robot arm to a position over an unused pipette tip 310, and is lowered to enable frictional attachment thereto. Simultaneously, prior to, or after such movement, a transport mechanism, such as a rotary distributor (not shown) within the biochemical analyzer attaches to an arm 720 of a multi-well tray 700 and transports the multi-well tray 700 to a predetermined position for use in the analysis.

[000134] Once the automated pipettor, having the pipette tip 310 attached thereto, is raised such that the pipette tip 310 is not obstructed by additional unused tips and/or other components within the automated biochemical analyzer, the robot arm moves the automated pipettor into a designated position over a cartridge 500. The automated pipettor is thereafter lowered into the oil chamber 530 of the cartridge 500. If present, a frangible seal covering the oil chamber 530 is punctured by the pipette tip 310. The automated pipettor then withdraws a predetermined amount of oil and is raised such that the pipette tip 310 is unobstructed by the cartridge 500 and/or other components within the automated biochemical analyzer.

[000135] The robot arm then moves the automated pipettor into a designated position over a spatially indexed multi-well tray 400 and/or over a receptacle 100, and the pipettor is lowered such that the pipette tip 310 enters the open end 145 thereof. The oil is then dispensed into the receptacle 100. Optionally, the procedure of withdrawing oil from the oil chamber 530 of the cartridge 500 is repeated one or more times, depending on the number of reactions to be performed.

[000136] Thereafter, the automated pipettor withdraws the pipette tip 310 from the receptacle 100, and the robot arm moves the automated pipettor to a location over a waste receptacle and ejects the pipette tip 310. After ejection, the robot arm moves the automated pipettor to a position over a second unused pipette tip 310 and lowers the pipettor to enable

frictional attachment thereto. Once the automated pipettor, having the second pipette tip 310 attached thereto, is raised such that the pipette tip 310 is not obstructed by additional unused tips and/or other components within the automated biochemical analyzer, the robot arm moves the automated pipettor into a designated position over a second receptacle 100 having therein a sample for analysis, and is lowered such that the pipette tip 310 enters the open end 145 thereof. The sample is then collected from the second receptacle and transferred to the first receptacle 100. It should be understood that in certain embodiments, the sample will have been previously dispensed into the receptacle prior to deposit of the oil and/or the sample for analysis may be transferred from a material transfer unit (not shown) within the biochemical analyzer. After depositing the sample into the first receptacle, the automated pipettor withdraws the pipette tip 310 from the receptacle 100, and the robot arm moves the automated pipettor to a location over a waste receptacle and ejects the pipette tip 310. After ejection, the robot arm moves the automated pipettor to a position over a third unused pipette tip 310 and lowers the pipettor to enable frictional attachment thereto.

[000137] Once the automated pipettor having the third pipette tip 310 attached thereto is raised such that the pipette tip 310 is not obstructed by additional unused tips, and/or other components within the automated biochemical analyzer, the robot arm moves the automated pipettor into the second designated position over the cartridge 500 and lowers the pipettor into the fluid chamber 520 of the cartridge 500. If present, a frangible seal covering the fluid chamber 520 is punctured by the pipette tip 310. The automated pipettor then withdraws a predetermined amount of diluent and is raised such that the pipette tip 310 is unobstructed by the cartridge 500 and/or other components within the automated biochemical analyzer.

[000138] The robot arm then moves the automated pipettor into a designated position over a spatially indexed multi-well tray 700 and lowers the pipettor such that the pipette tip 310 punctures a frangible seal (if present) covering a well 715 disposed in the multi-well tray 700. The diluent is then deposited into the well 715 containing a lyophilized reagent 495 used in the reagent-based assay. Optionally, the automated pipettor will repeatedly aspirate and dispense the liquid contained in the well 715 to allow sufficient time and fluidic pressure required to reconstitute the lyophilized reagent 495.

[000139] The automated pipettor thereafter collects the reconstituted reagent and withdraws the pipette tip 310 from the well 715 of the multi-well tray 700 such that the pipette tip 310 is unobstructed by the well 715 and/or other components within the automated biochemical analyzer. The robot arm then moves the automated pipettor into the designated position over the first receptacle 100 containing the dispensed oil and sample for analysis. The automated pipettor is then lowered into the open end 145 of the receptacle 100 to dispense the reconstituted reagent. Optionally, the automated pipettor will repeatedly aspirate and dispense the liquid contained in the receptacle 100 to allow sufficient time and fluidic pressure required to mix the contents of the receptacle 100, thereby creating a reaction mixture.

[000140] After optional mixing, the automated pipettor withdraws the pipette tip 310 from the receptacle 100, but leaves the reaction mixture within the receptacle 100. The robot arm then moves the automated pipettor to a location over the waste receptacle and ejects the pipette tip 310. After ejection, the robot arm moves the automated pipettor to a designated position over a well 415 containing a cap 200 to enable frictional attachment thereto. Once the automated pipettor having the cap 200 attached thereto is raised such that the cap 200 is not obstructed the well 415 and/or other components within the automated biochemical analyzer, the robot arm moves the automated pipettor into the designated position over the receptacle 100 containing the reaction mixture. The automated pipettor is then lowered such that the cap 200 is securably attached to the receptacle 100. As the automated pipettor is raised, the capped receptacle is lifted from a receptacle holder or well of a multi-well tray 400 for transport to, for example, a centrifuge and/or thermocycler for automated incubation.

[000141] In certain embodiments, it is desirable to expedite the process of reconstitution of the lyophilized reagent 495, mixing of the reagent with the test sample, and subsequent capping of the receptacle 100 containing the reagent mixture. In such embodiments, more than one robot arm and automated pipettor may be provided within the automated biochemical analyzer, and may be independently controlled to expand the capabilities thereof. Alternatively, or in addition thereto, the automated biochemical analyzer may include one or more pick and place robots, which may be used to perform functions not related to collection and/or deposit of liquids, such as capping of a receptacle 100

containing a reaction mixture and/or transport of the capped receptacle to a centrifuge and/or thermocycler for automated incubation.

**[00142]** Although the present subject matter has been described with reference to the above example, it will be understood that modifications and variations are encompassed within the scope of the disclosed subject matter.

## CLAIMS

What is claimed is:

1. A cap securable to a receptacle and comprising:
  - a lower portion for inserting into a receptacle opening;
  - an upper portion having an opening formed therein, the opening defining an open end that is configured for engagement by a receptacle transport mechanism;
  - a plurality of locking arms extending toward the lower portion of the cap and configured for engaging a portion of a receptacle to secure the cap to the receptacle when the lower portion is inserted into the receptacle opening, each of the locking arms extending axially from an annular flange extending radially with respect to a centerline of the cap and defining a gap between an outer surface of the lower portion and an inner surface of each locking arm, wherein the gap is sized to receive a lip surrounding the receptacle opening when the lower portion is inserted into the receptacle opening and the locking arms securely engage the lip surrounding the receptacle opening; and
  - a plurality of longitudinally extending linear ribs disposed on an inner surface of the cap, the inner surface of the cap being defined by the opening formed in the upper portion, wherein each of the linear ribs has associated therewith at least one of: (i) an enlarged portion proximate a distal end thereof, and (ii) a recess disposed on an outer surface of the upper portion, wherein the recess corresponds in length with the associated rib and is disposed on the outer surface opposite the associated rib.
2. The cap of claim 1, wherein the lower portion of the cap has an outer surface defining one or more annular ribs configured to provide a sealing engagement between the outer surface and an inner surface of the receptacle opening.
3. The cap of claim 1 or 2, wherein a proximal end of each of the linear ribs is beveled.

4. The cap of any one of claims 1 to 3, wherein each of the linear ribs includes the enlarged portion, and wherein each enlarged portion has a greater radius than the remainder of the associated rib.

5. The cap of any one of claims 1 to 4, wherein the opening formed in the upper portion of the cap defines an upper, generally cylindrical portion and a lower, inwardly tapered portion.

6. The cap of claim 4, wherein the opening formed in the upper portion defines an upper, generally cylindrical portion and a lower, inwardly tapered portion, and wherein the enlarged portion of each of the linear ribs traverses a transition between the cylindrical portion of the opening and the inwardly tapered portion of the opening.

7. The cap of any one of claims 1 to 6, wherein each of the linear ribs has associated therewith the recess disposed on the outer surface of the upper portion, and wherein each of the linear ribs and the associated recess are configured to flex radially outwardly to accommodate the shape of a receptacle transport mechanism inserted into the open end of the cap.

8. The cap of any one of claims 1 to 7, wherein each of the linear ribs includes an inwardly tapered portion proximate the distal end thereof.

9. The cap of any one of claims 1 to 8, further comprising an opening formed in the lower portion and a bottom wall separating the opening formed in the upper portion from the opening formed in the lower portion.

10. The cap of claim 9, wherein the bottom wall includes score lines formed therein to facilitate piercing of the bottom wall by a mechanism configured to dispense reagents.

11. The cap of any one of claims 1 to 10, wherein the locking arms facilitate a snap fit attachment for securely engaging a lip surrounding the receptacle opening.

12. The cap of any one of claims 1 to 11, wherein at least a portion of the cap is comprised of an opaque material.

13. The cap of claim 12, wherein the opaque material comprises a material that exhibits no autofluorescence.

14. The cap of any one of claims 1 to 13, wherein the cap is a unitary plastic structure.

15. A combination of a receptacle and the cap of any one of claims 1 to 14, each of the receptacle and the cap being carried within a well of a tray, wherein the receptacle is configured for engagement by the cap and comprises:

a generally cylindrical portion having an opening formed therein and configured to receive the lower portion of the cap so as to provide a sealing engagement between an outer surface of the lower portion of the cap and an inner surface of the opening formed in the cylindrical portion of the receptacle; and

a radially projecting lip circumscribing the opening of the receptacle, the lip being configured for interlocking engagement with the locking arms of the cap.

16. The combination of claim 15, wherein the receptacle further comprises a conical portion depending from the cylindrical portion, and wherein the opening of the receptacle continues into the conical portion.

17. The combination of claim 15 or 16, wherein the receptacle further comprises an annular ring extending outward from an outer surface thereof.

18. The combination of any one of claims 15 to 17, wherein the receptacle further comprises a plurality of longitudinally oriented grooves formed in an inner surface of the opening.

19. The combination of any one of claims 15 to 18, wherein the receptacle is a unitary plastic structure.

20. An assembly comprising a receptacle and a cap in interlocking engagement with each other,

wherein the receptacle comprises:

a generally cylindrical portion having an opening formed therein; and

a radially projecting lip circumscribing the opening; and

wherein the cap comprises:

a lower portion inserted into the opening of the receptacle and configured to provide a sealing engagement between an outer surface of the lower portion of the cap and an inner surface of the opening of the receptacle;

an upper portion having an opening formed therein, the opening defining an open end that is configured for engagement by a receptacle transport mechanism;

a plurality of locking arms extending toward the lower portion of the cap and engaging the lip of the receptacle in an interlocking relationship, thereby securing the cap to the receptacle, wherein each of the locking arms extends axially from an annular flange extending radially with respect to a centerline of the cap and defining a gap between an outer surface of the lower portion and an inner surface of the locking arm, and wherein the lip of the receptacle extends into the gap; and

a plurality of longitudinally extending linear ribs disposed on an inner surface of the cap, the inner surface of the cap being defined by the opening formed in the upper portion, wherein each of the linear ribs has associated therewith at least one of: (i) an enlarged portion proximate a distal end thereof, and (ii) a recess disposed on an outer surface of the upper portion, wherein the recess corresponds in length with the associated rib and is disposed on the outer surface opposite the associated rib.

21. The assembly of claim 20, wherein the lower portion of the cap has an outer surface defining one or more annular ribs that provide a sealing engagement between the outer surface of the cap and the inner surface of the opening of the receptacle.

22. The assembly of claim 20 or 21, wherein each of the linear ribs includes an inwardly tapered portion proximate the distal end thereof.

23. The assembly of any one of claims 20 to 22, wherein the cap further comprises an opening formed in the lower portion and a bottom wall separating the opening formed in the upper portion from the opening formed in the lower portion.

24. The assembly of claim 23, wherein the bottom wall includes score lines formed therein to facilitate piercing of the bottom wall by a mechanism configured to dispense reagents to a test sample contained within the receptacle.

25. The assembly of any one of claims 20 to 24, wherein the interlocking relationship is a snap fit attachment of the cap to the receptacle.

26. The assembly of any one of claims 20 to 25, wherein the receptacle further comprises a conical portion depending from the cylindrical portion, wherein the opening continues into the conical portion.

27. The assembly of any one of claims 20 to 26, wherein the receptacle further comprises a plurality of longitudinally oriented grooves formed on an inner surface of the opening of the receptacle.

28. The assembly of any one of claims 20 to 27, wherein each of the cap and the receptacle is a unitary plastic structure.

29. The cap of any one of claims 1 to 19, wherein the receptacle transport mechanism is an automated pipettor or a pick-and-place robot, and wherein a tubular probe of the automated pipettor or the pick-and-place robot is configured for frictional engagement with the open end of the cap.

30. The assembly of any one of claims 20 to 28, wherein the receptacle transport mechanism is an automated pipettor or a pick-and-place robot, and wherein a tubular probe of the automated pipettor or the pick-and-place robot is configured for frictional engagement with the open end of the cap.

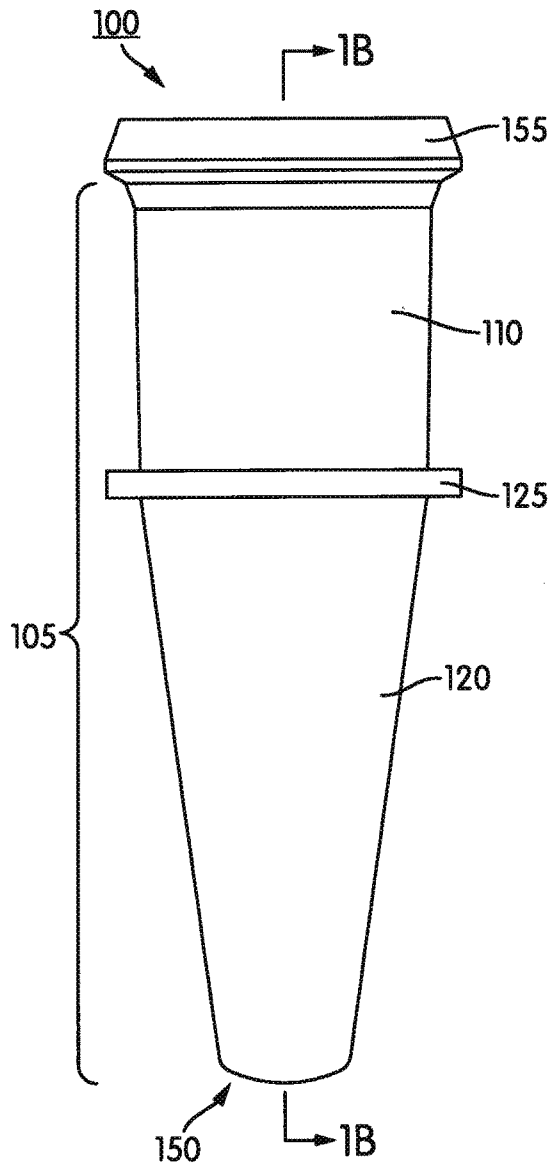


FIG. 1A

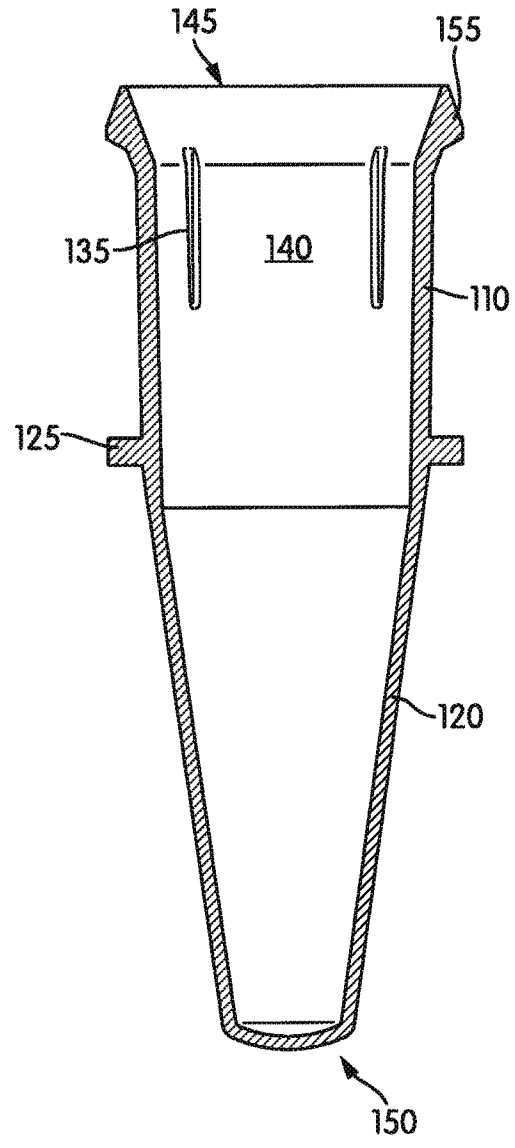


FIG. 1B

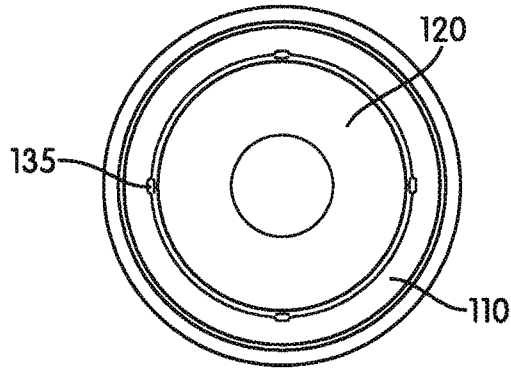


FIG. 1C

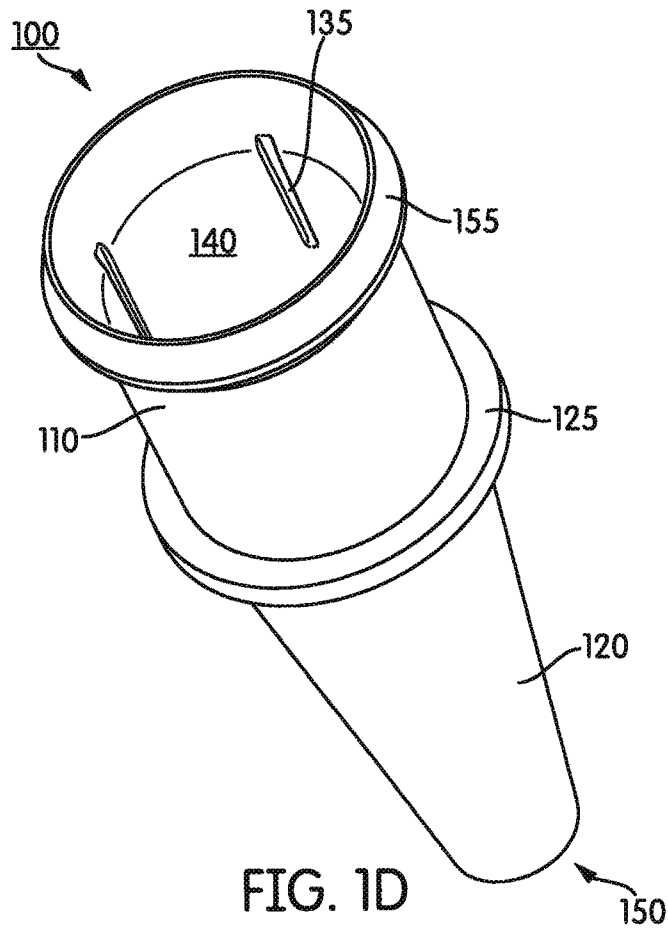
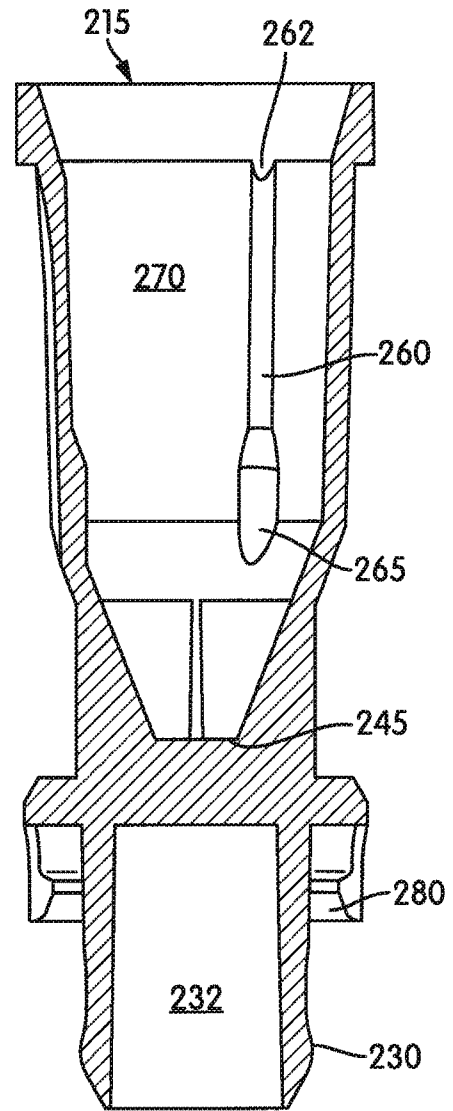
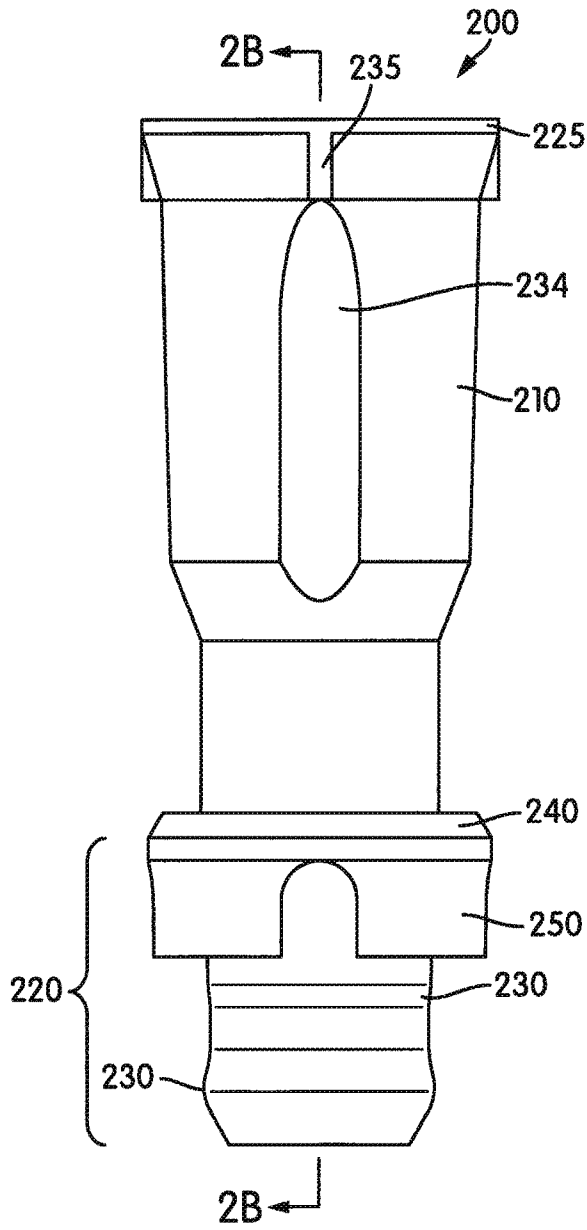


FIG. 1D



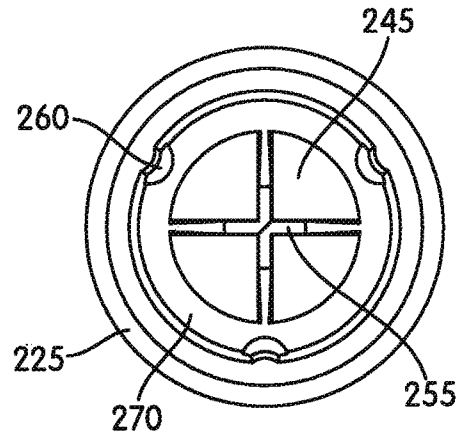


FIG. 2C

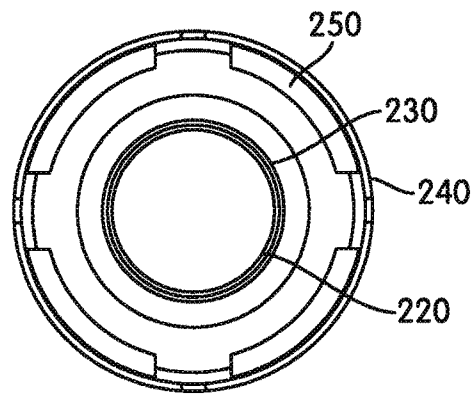
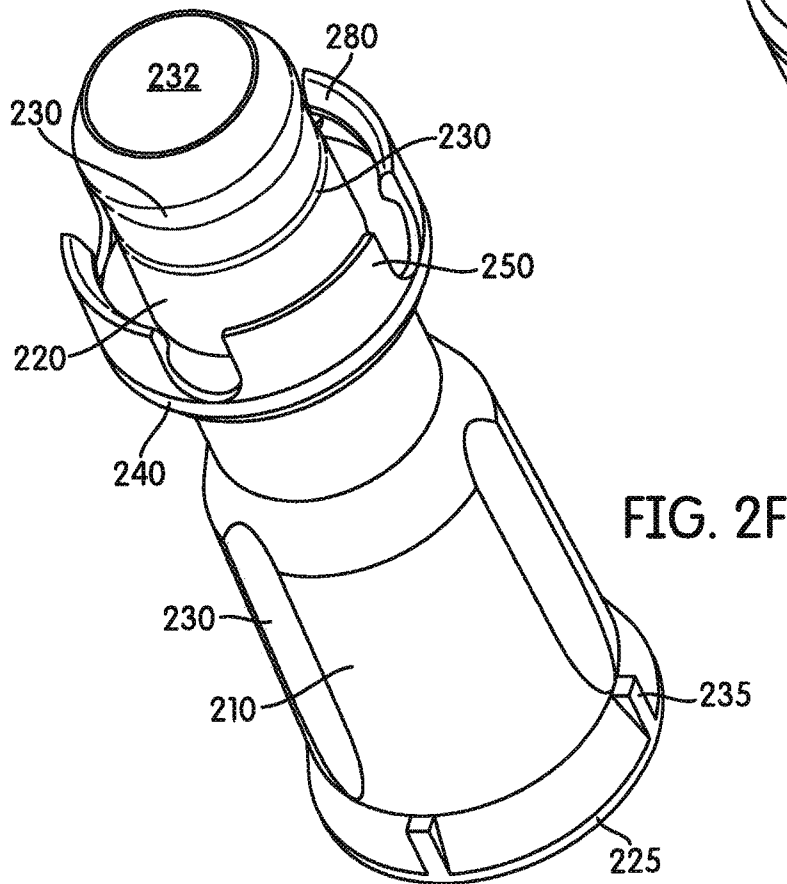
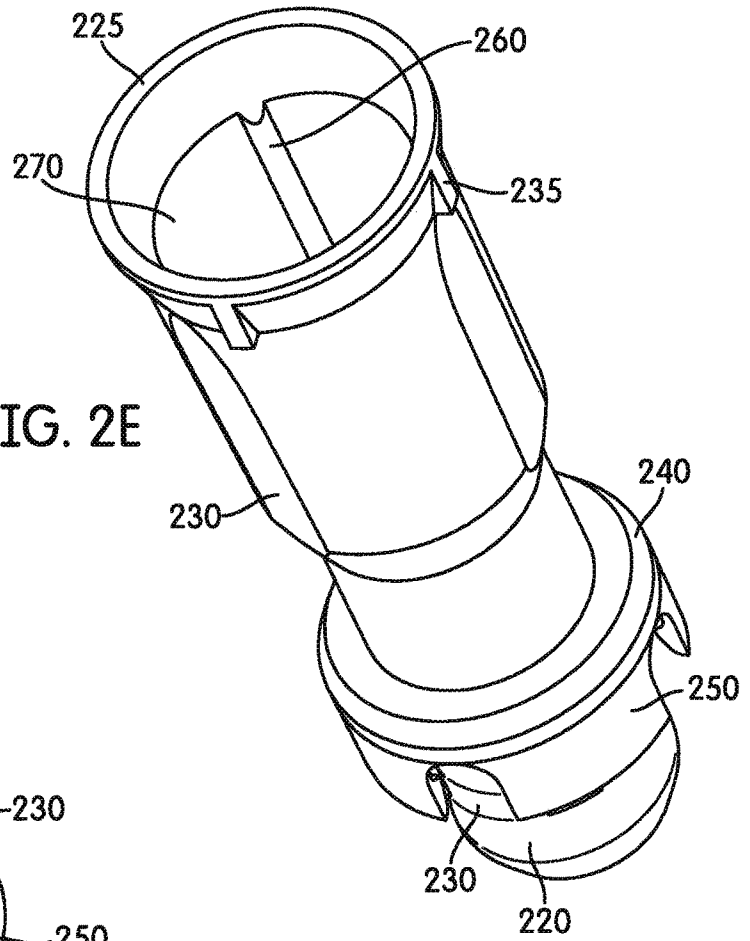


FIG. 2D



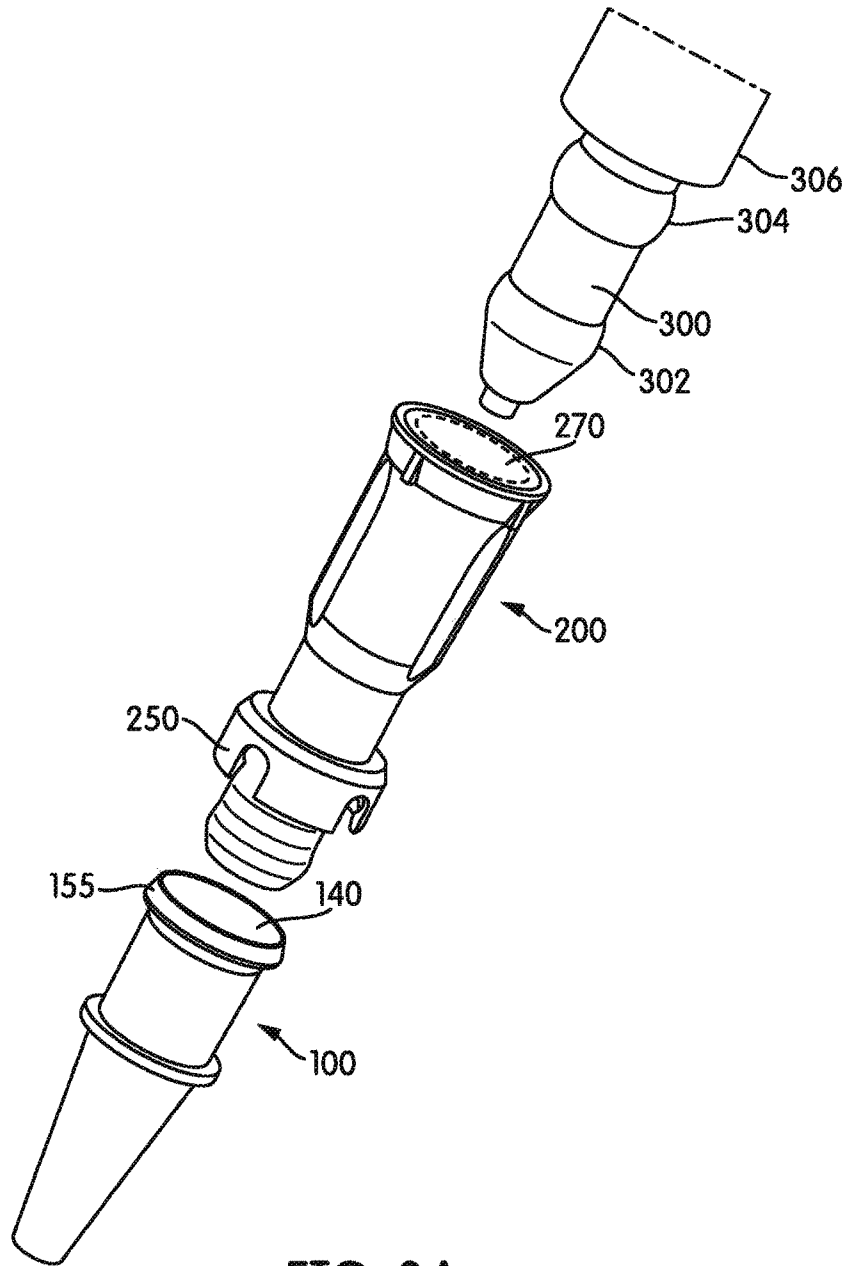


FIG. 3A

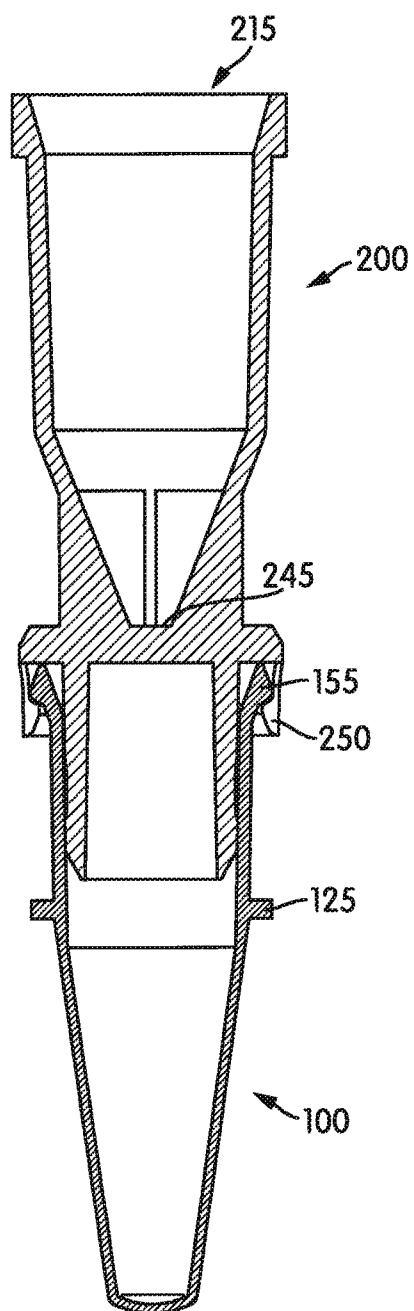


FIG. 3B

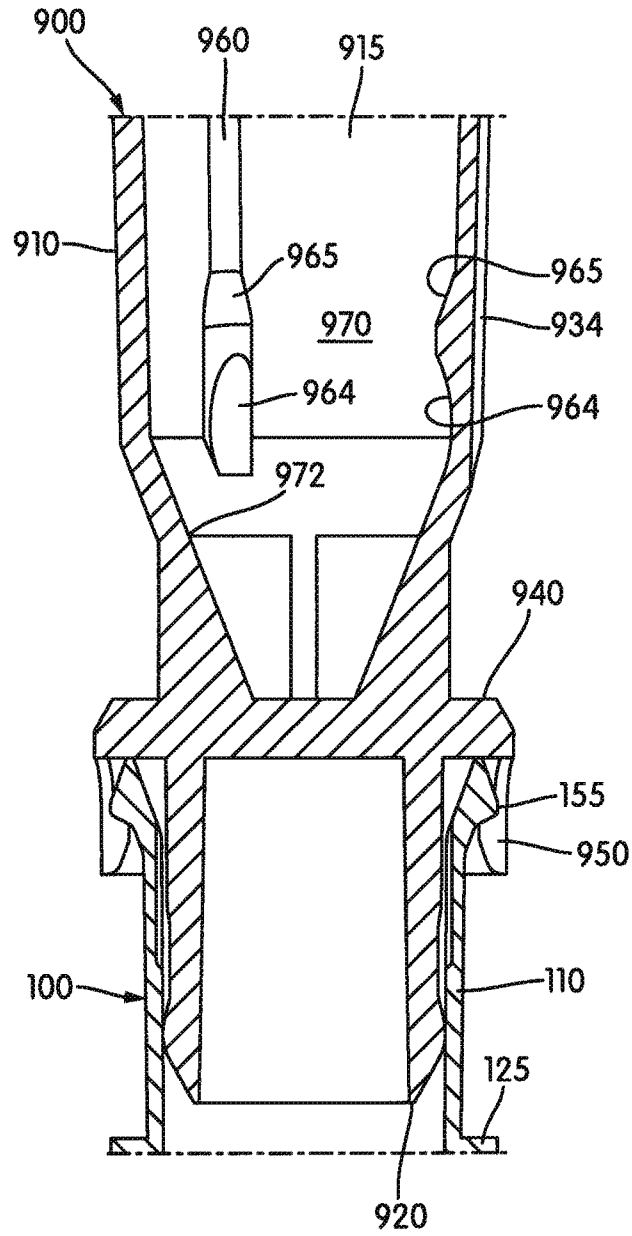


FIG. 3C

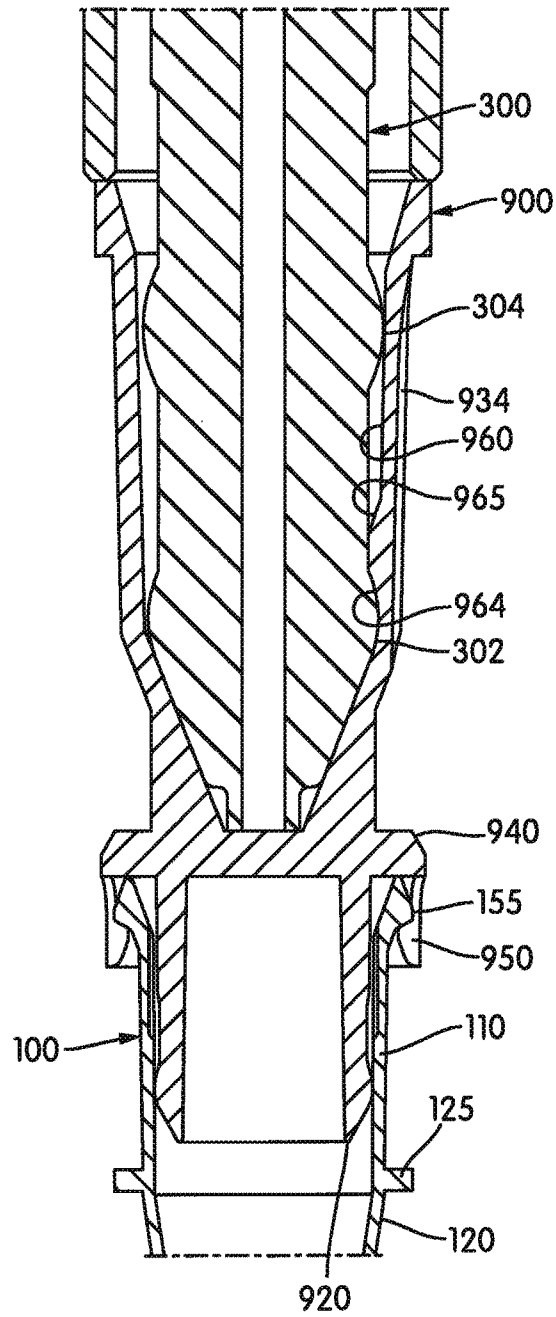


FIG. 3D

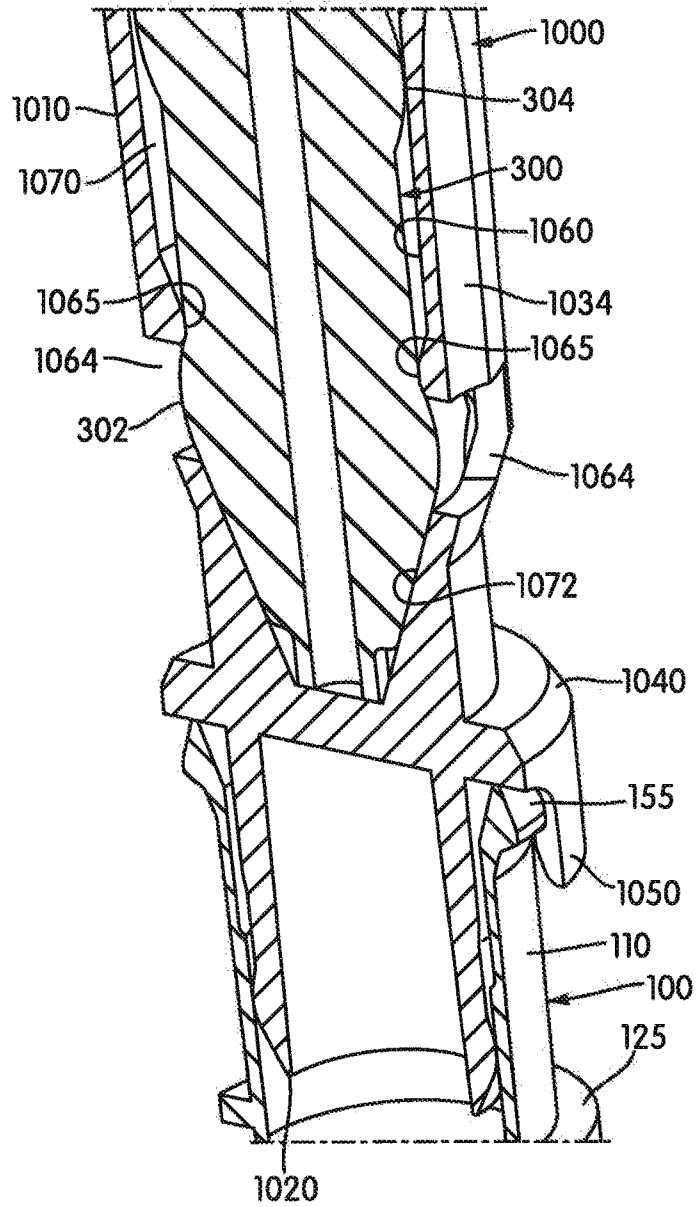


FIG. 3E

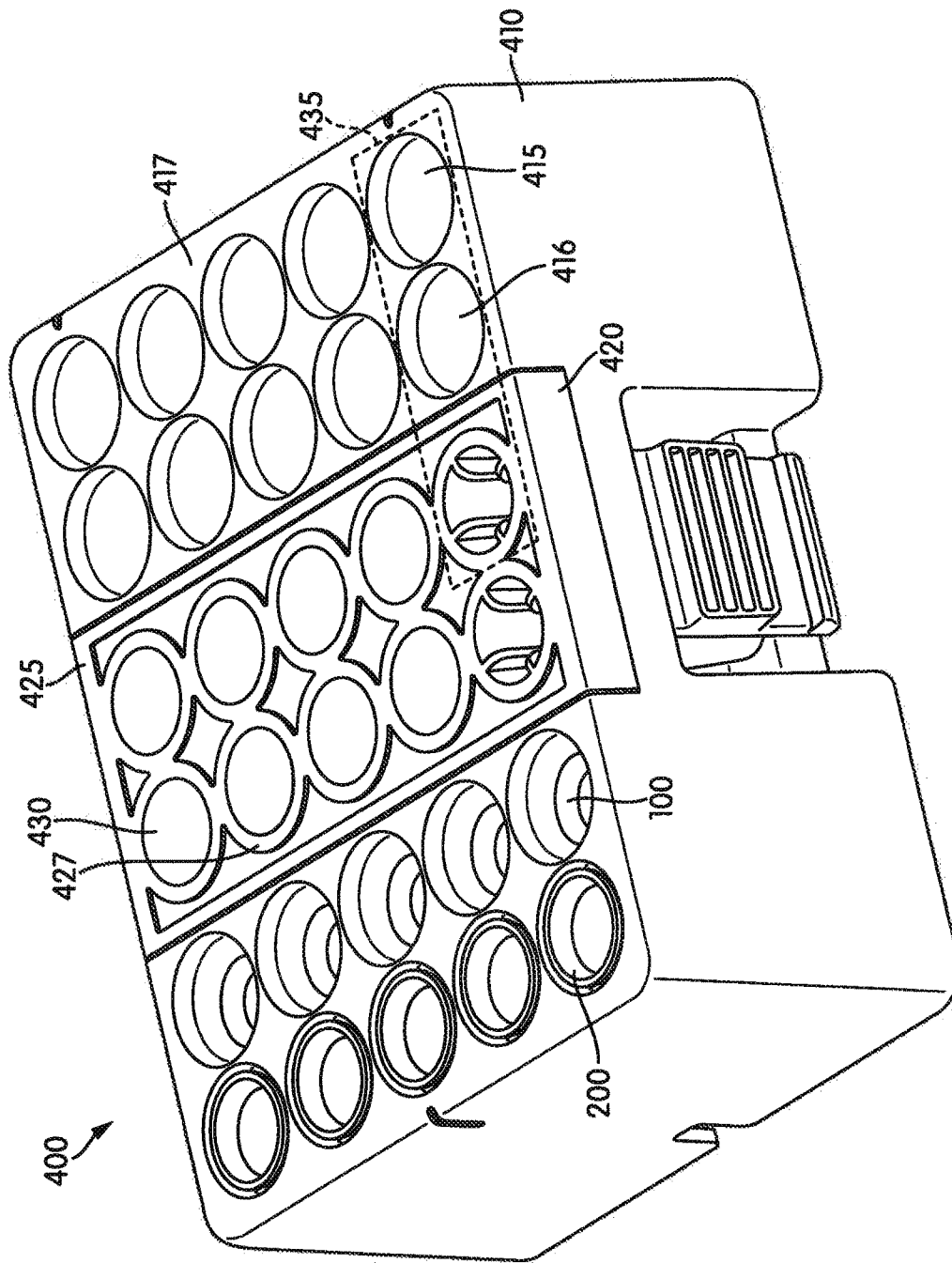


FIG. 4A

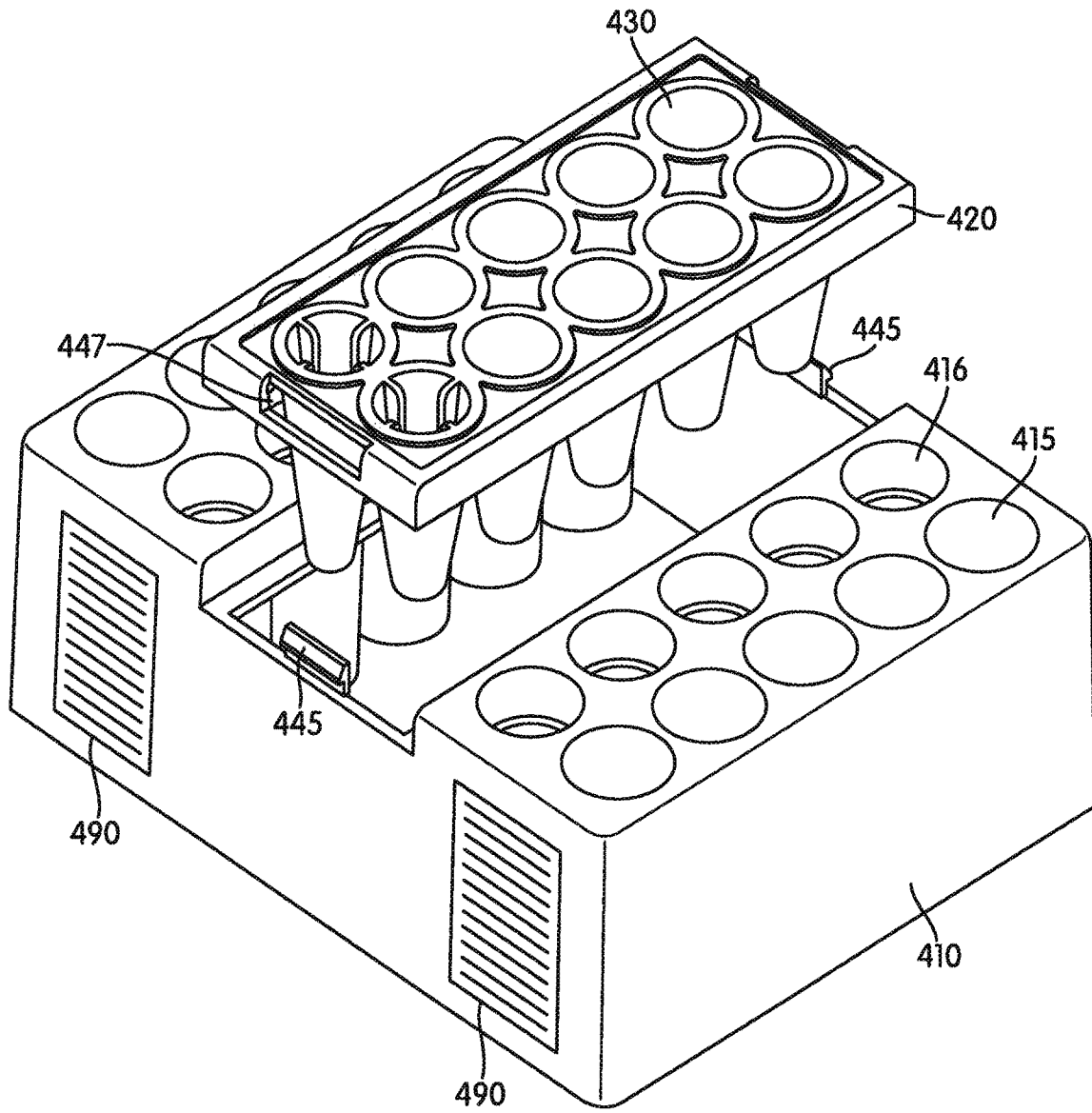


FIG. 4B

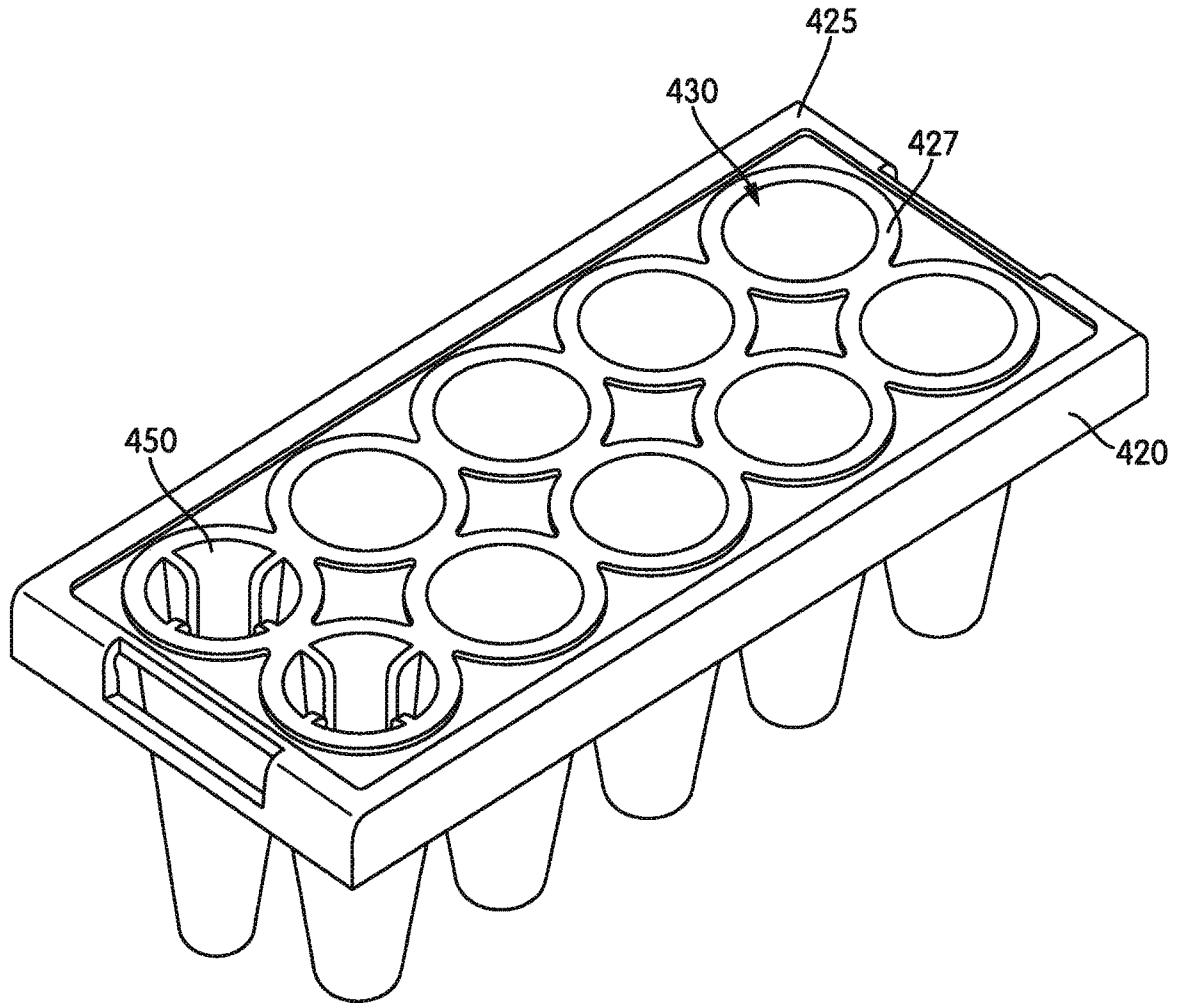
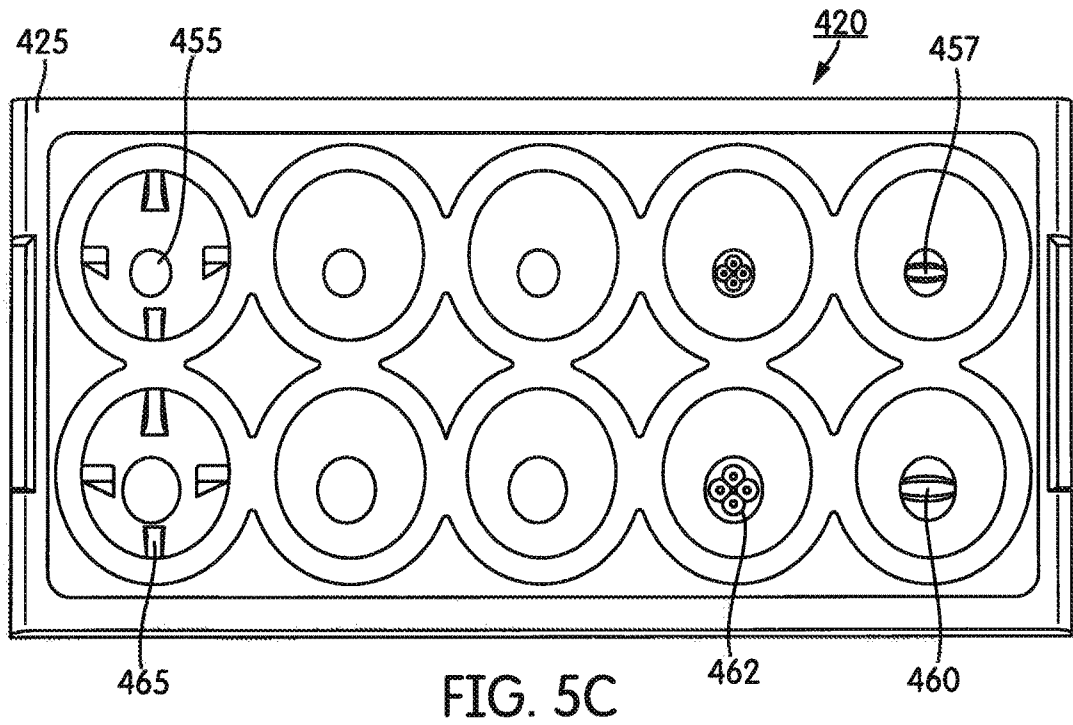
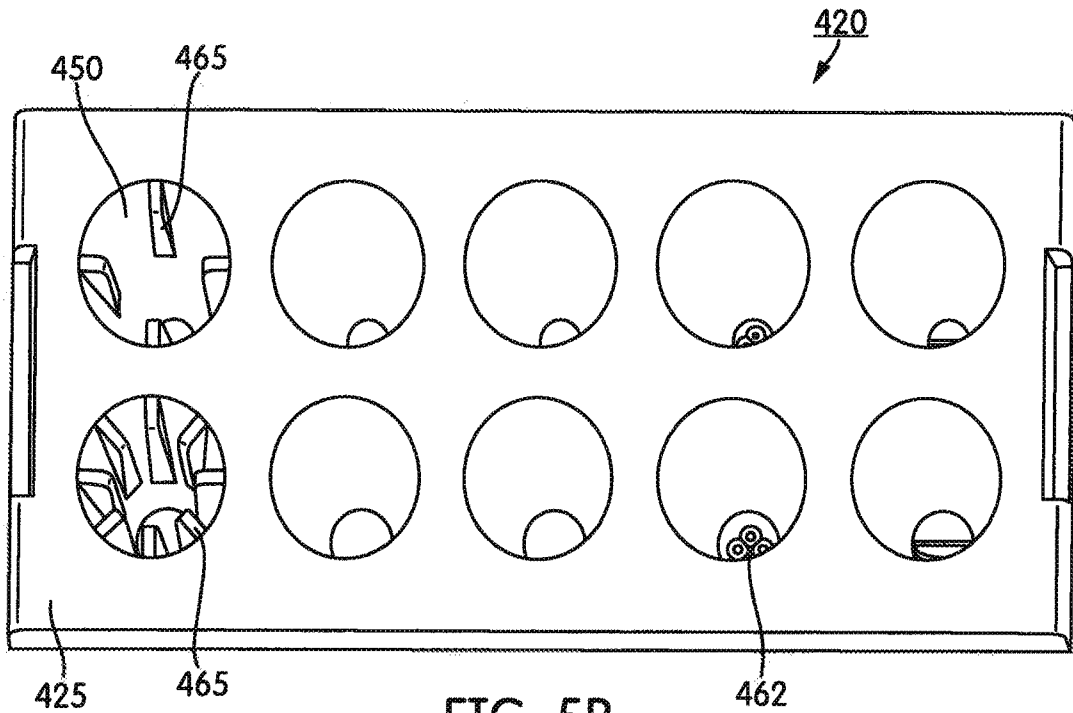
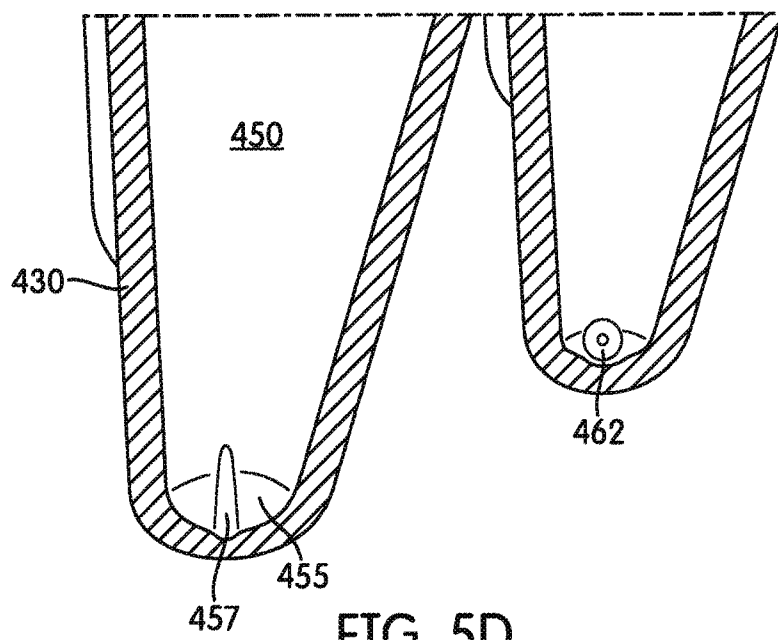


FIG. 5A





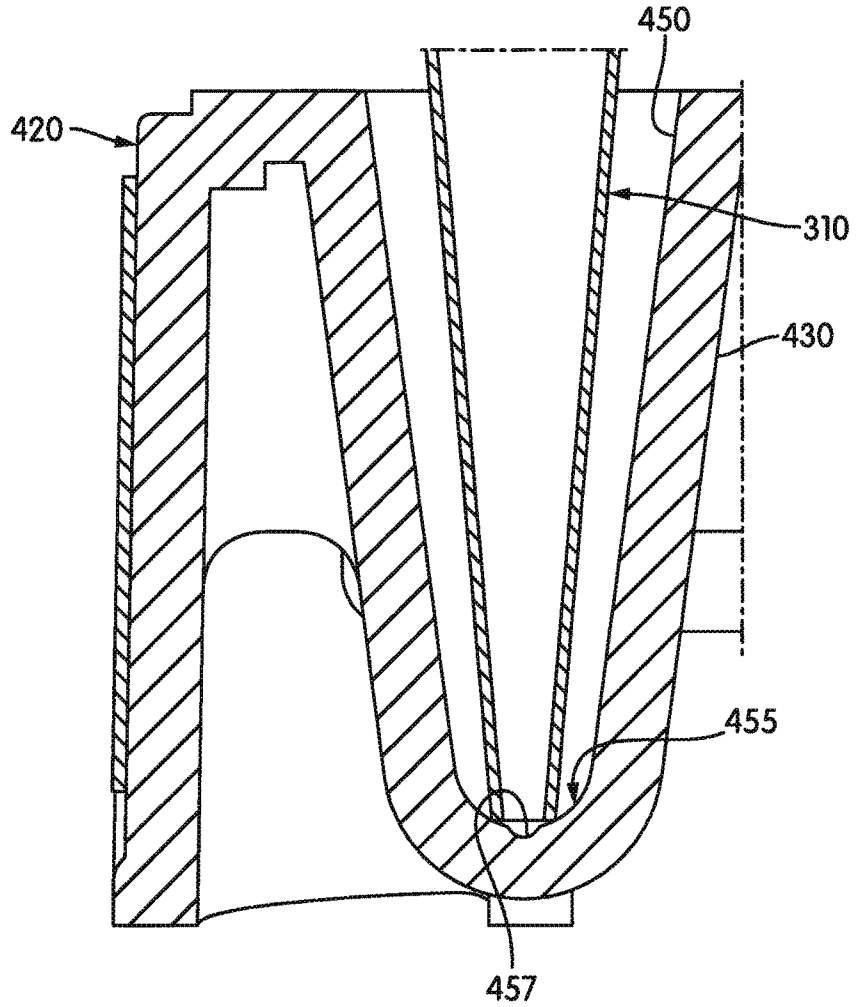


FIG. 5E

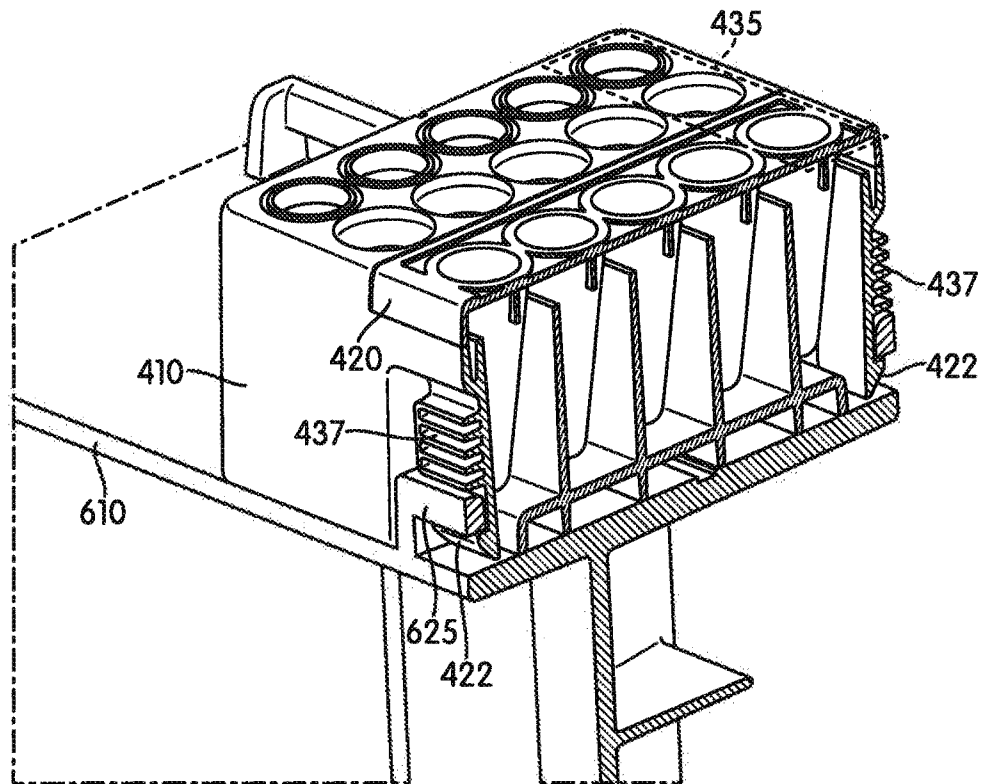


FIG. 6A

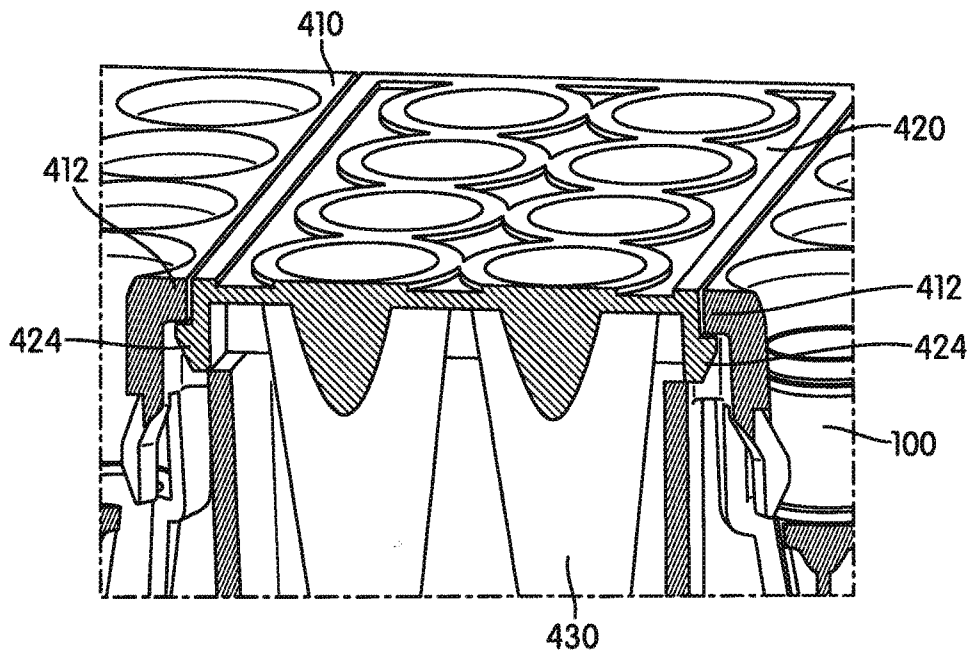


FIG. 6B

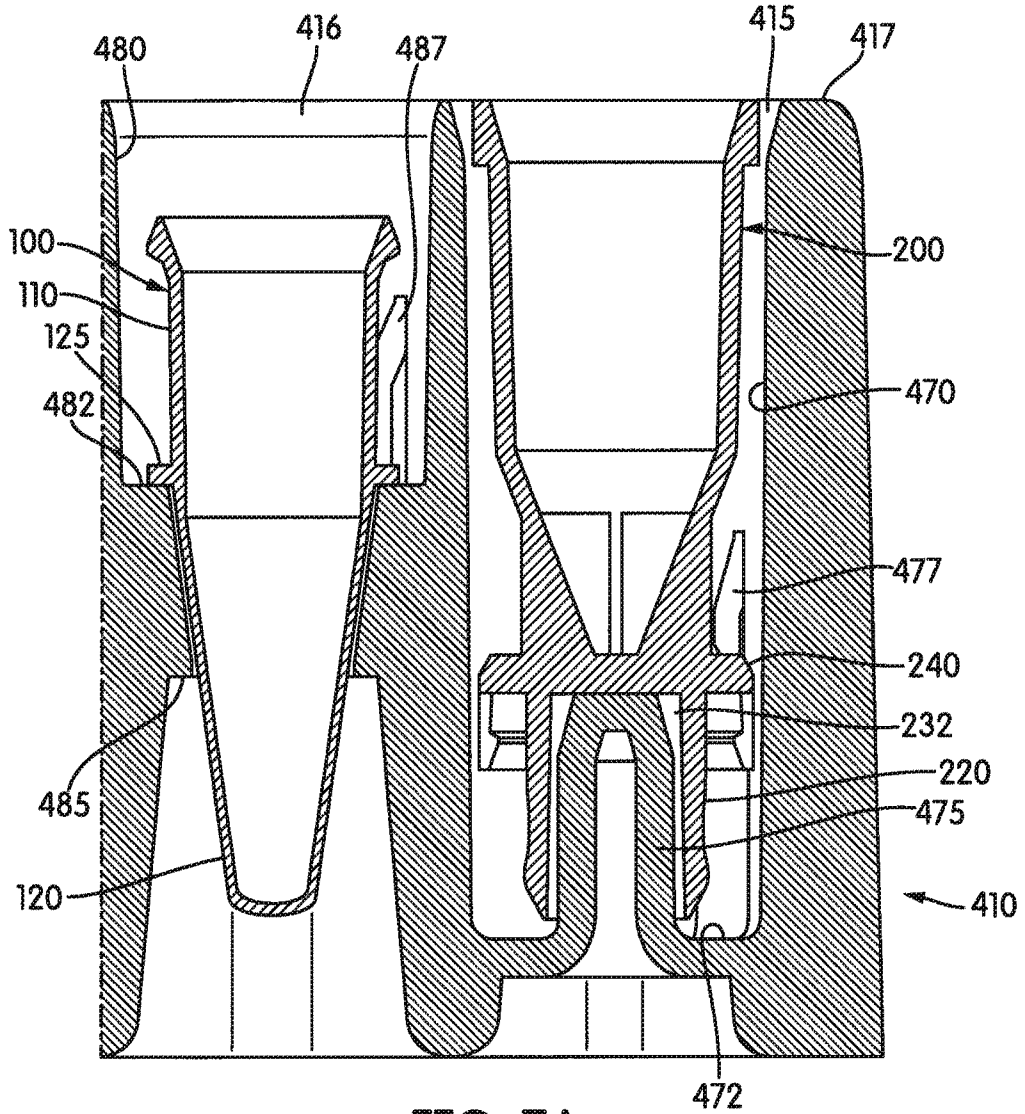


FIG. 7A

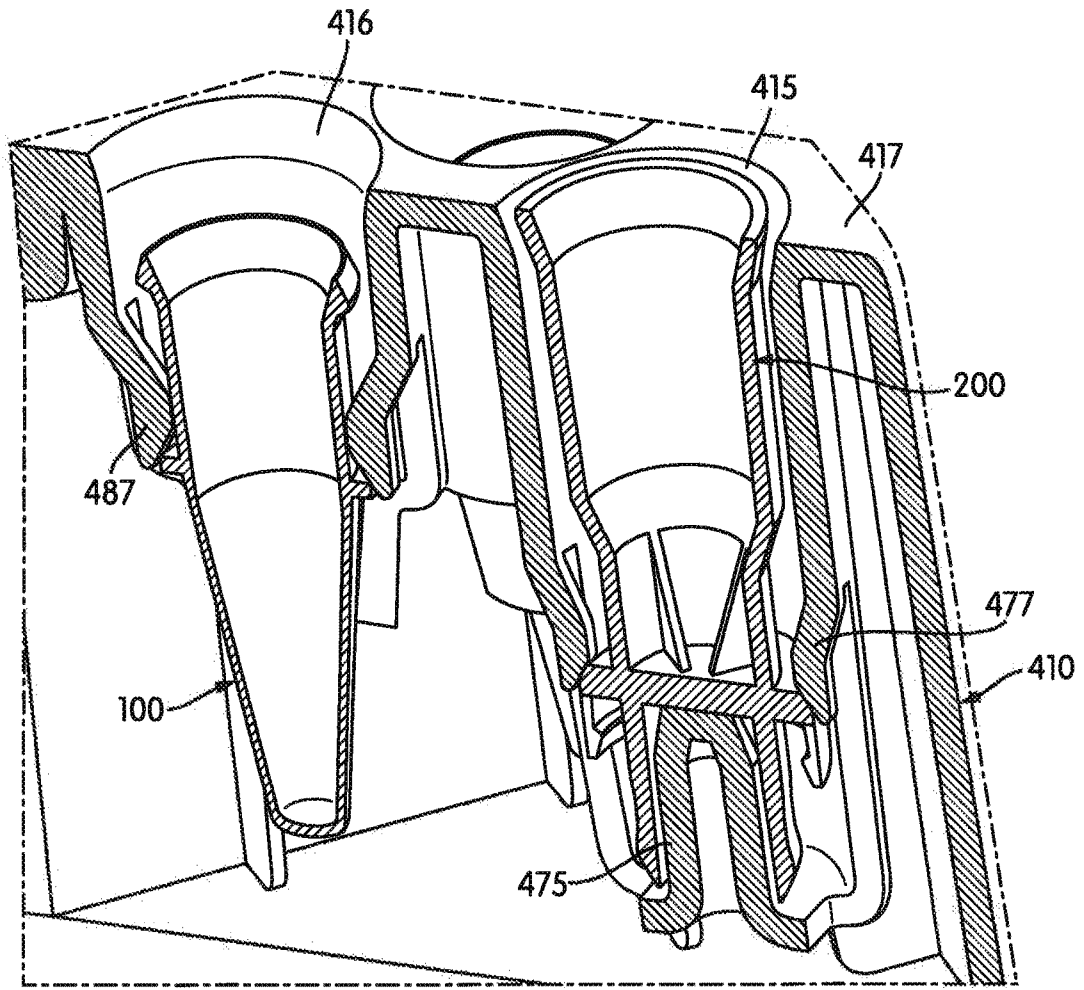


FIG. 7B

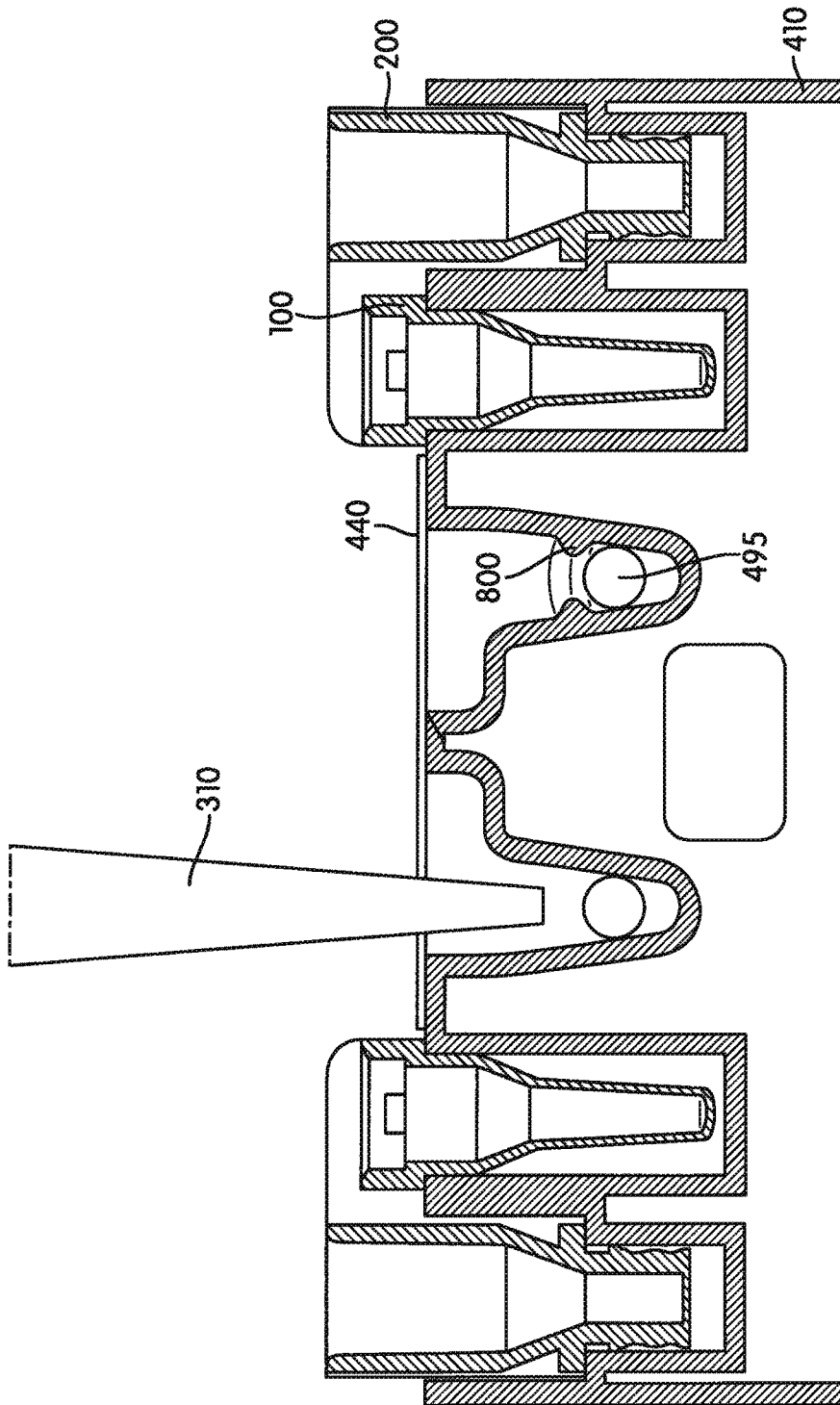


FIG. 8

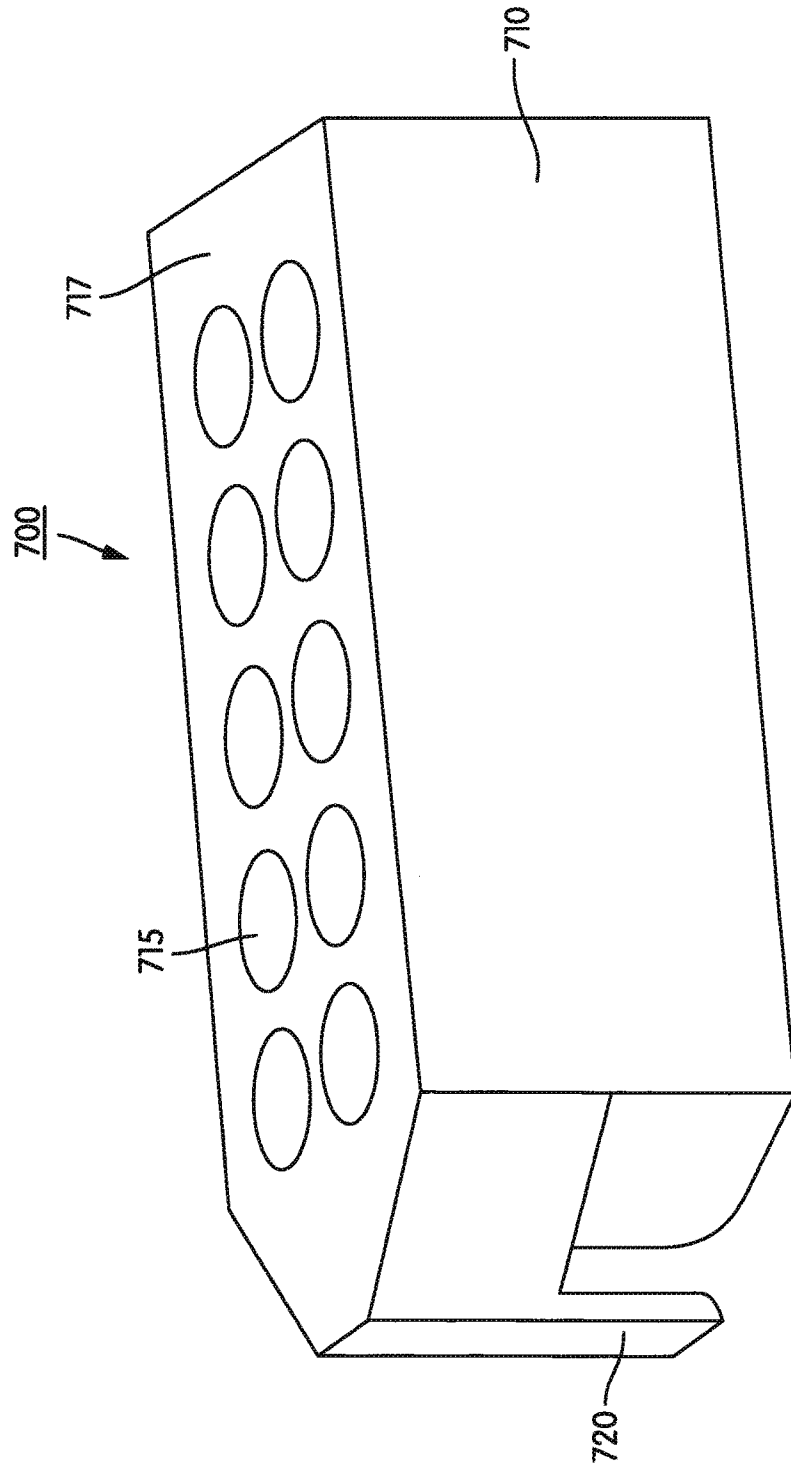
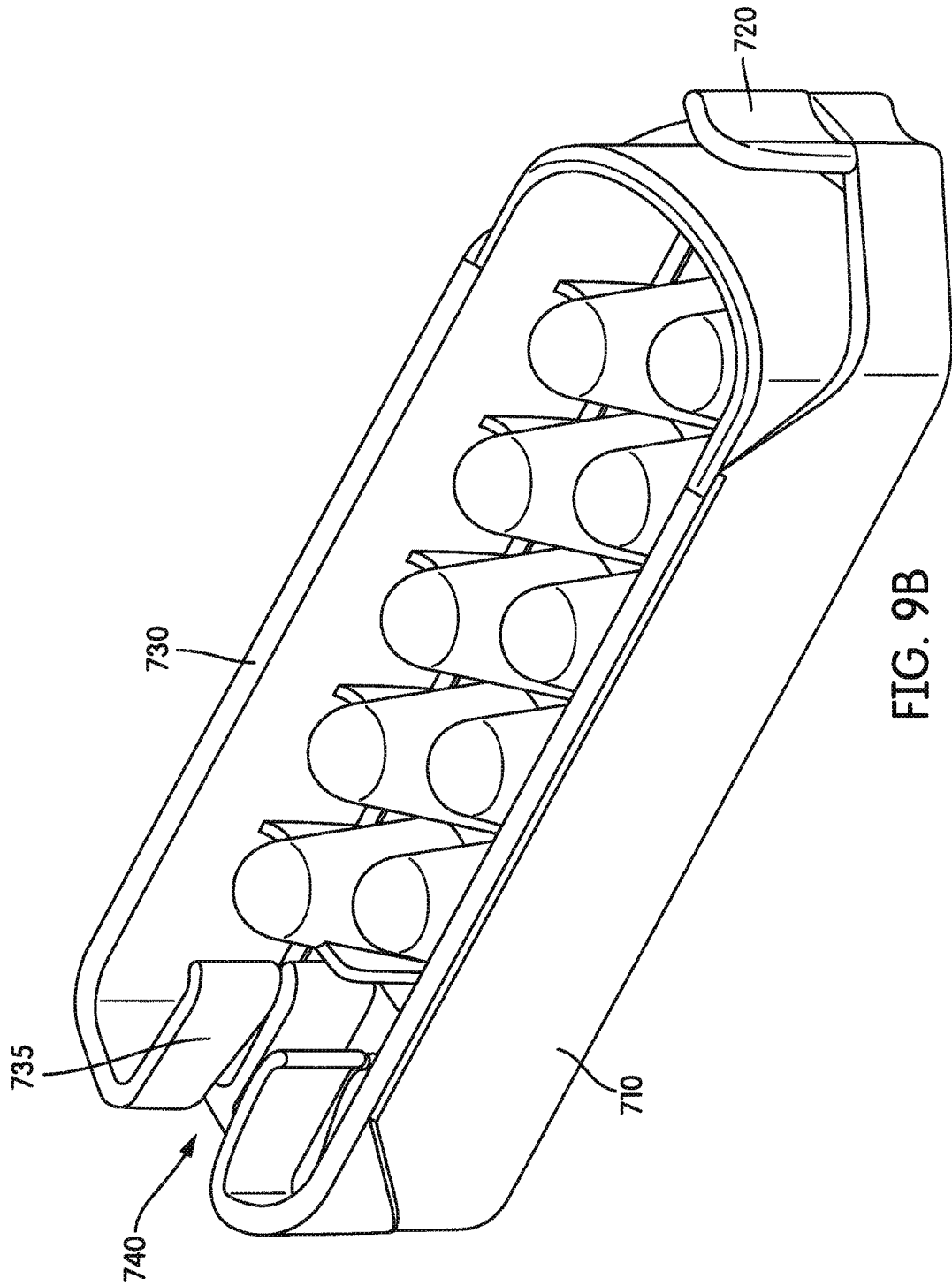


FIG. 9A



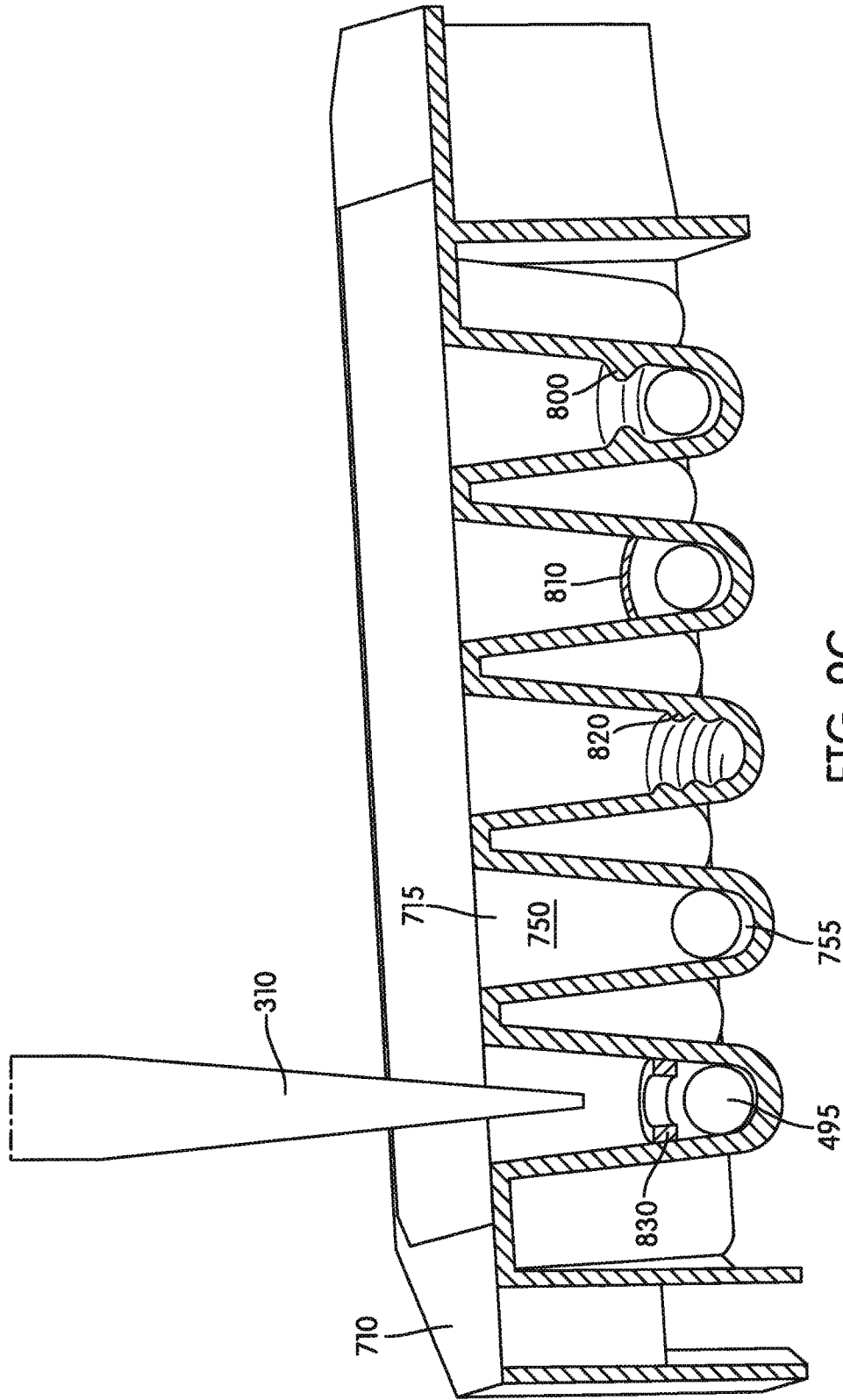


FIG. 9C

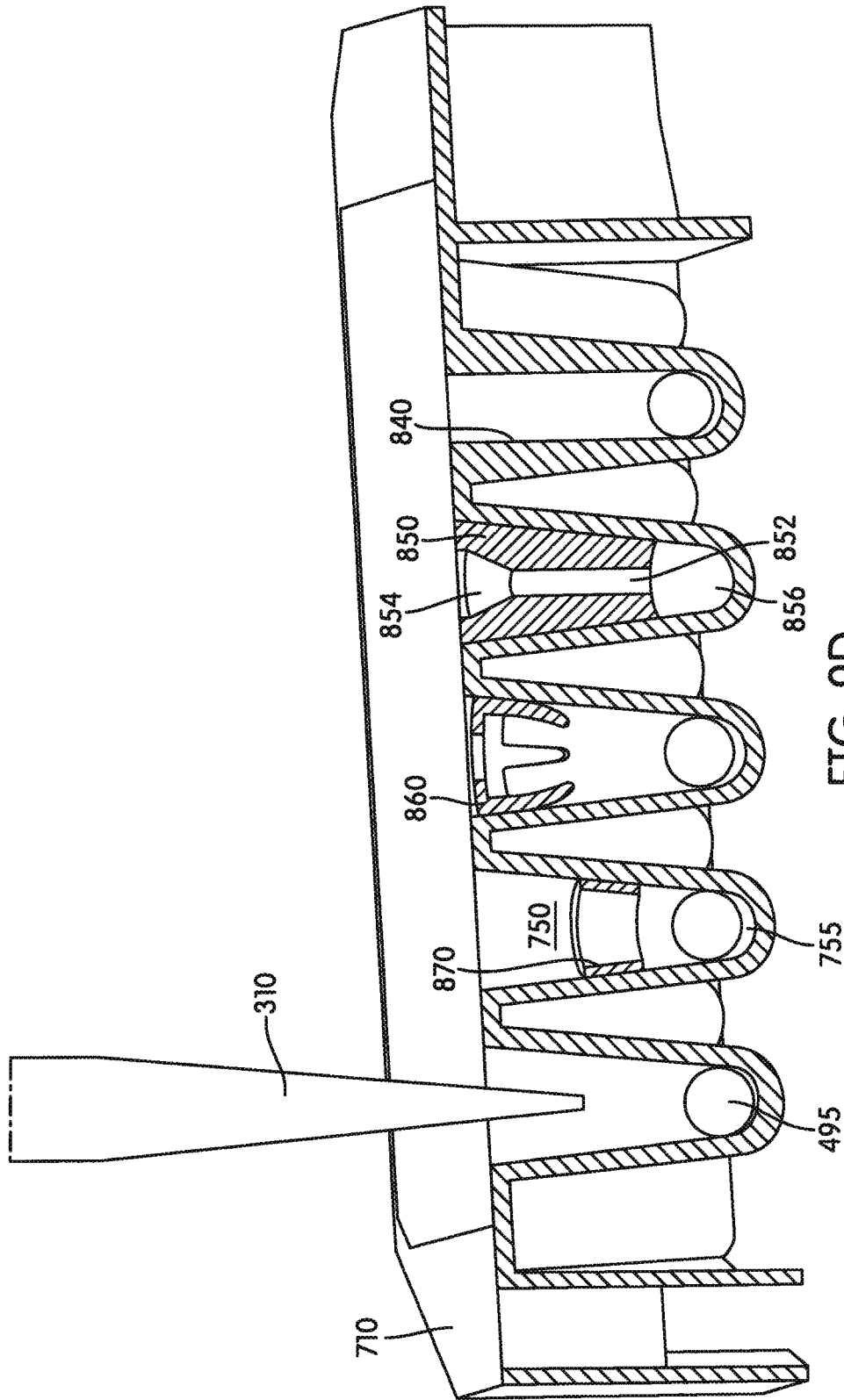


FIG. 9D

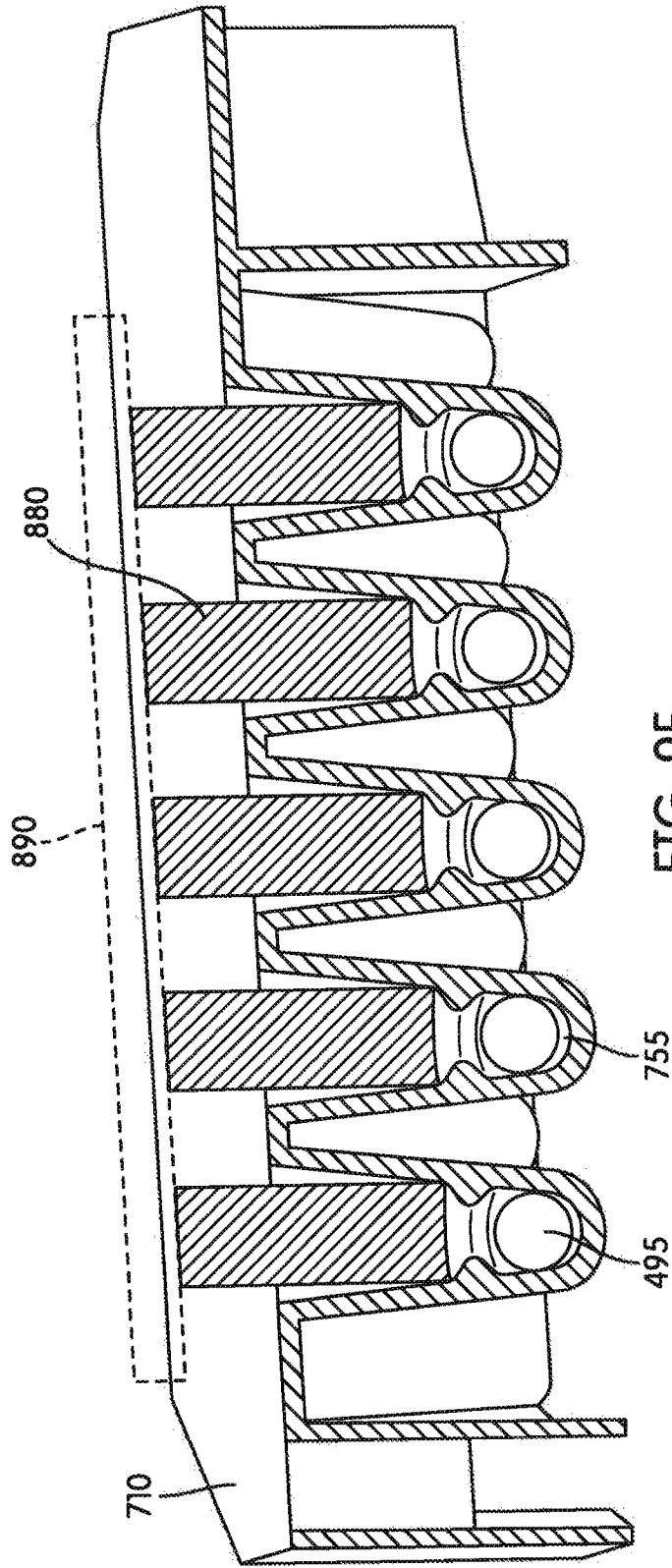


FIG. 9E

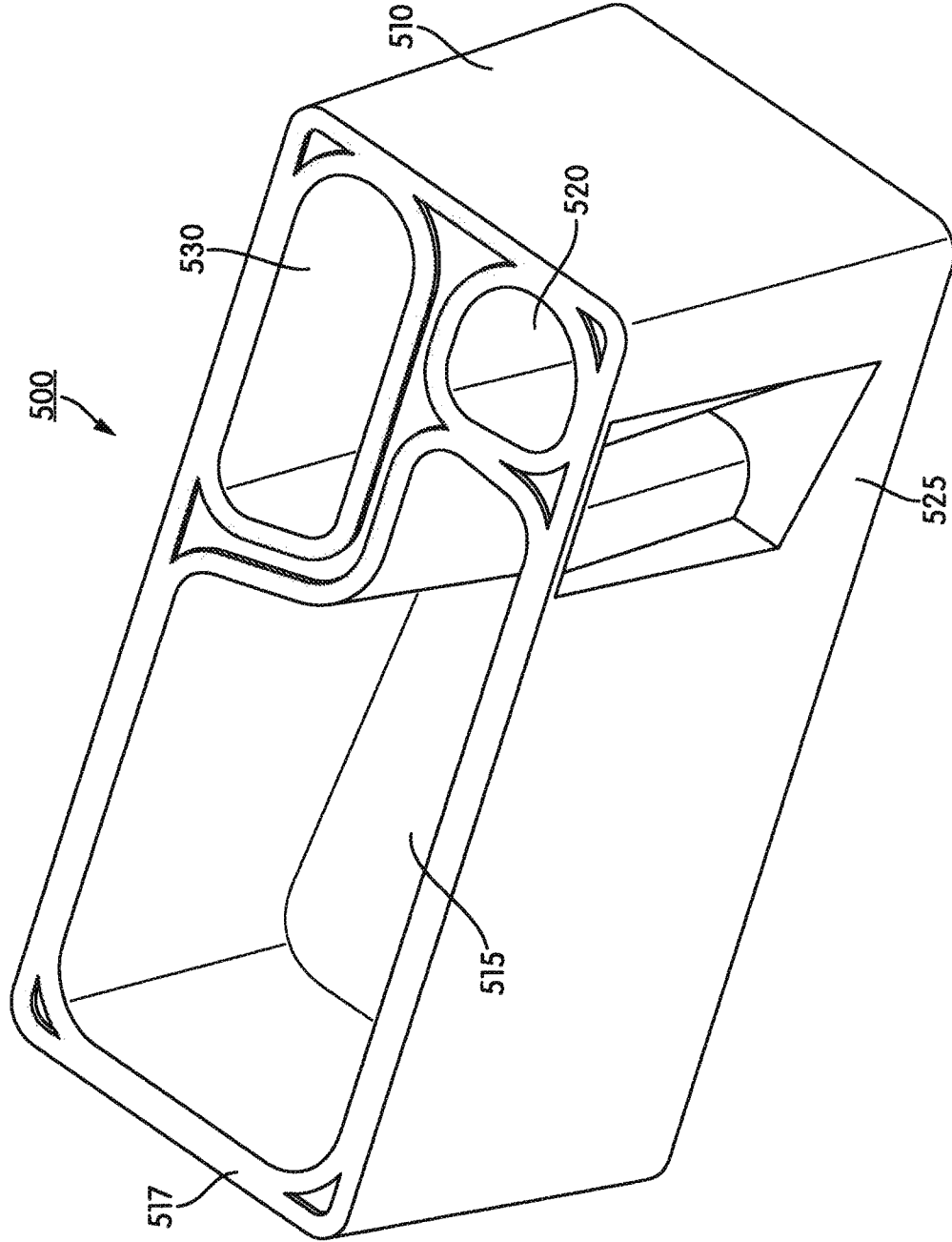


FIG. 10A

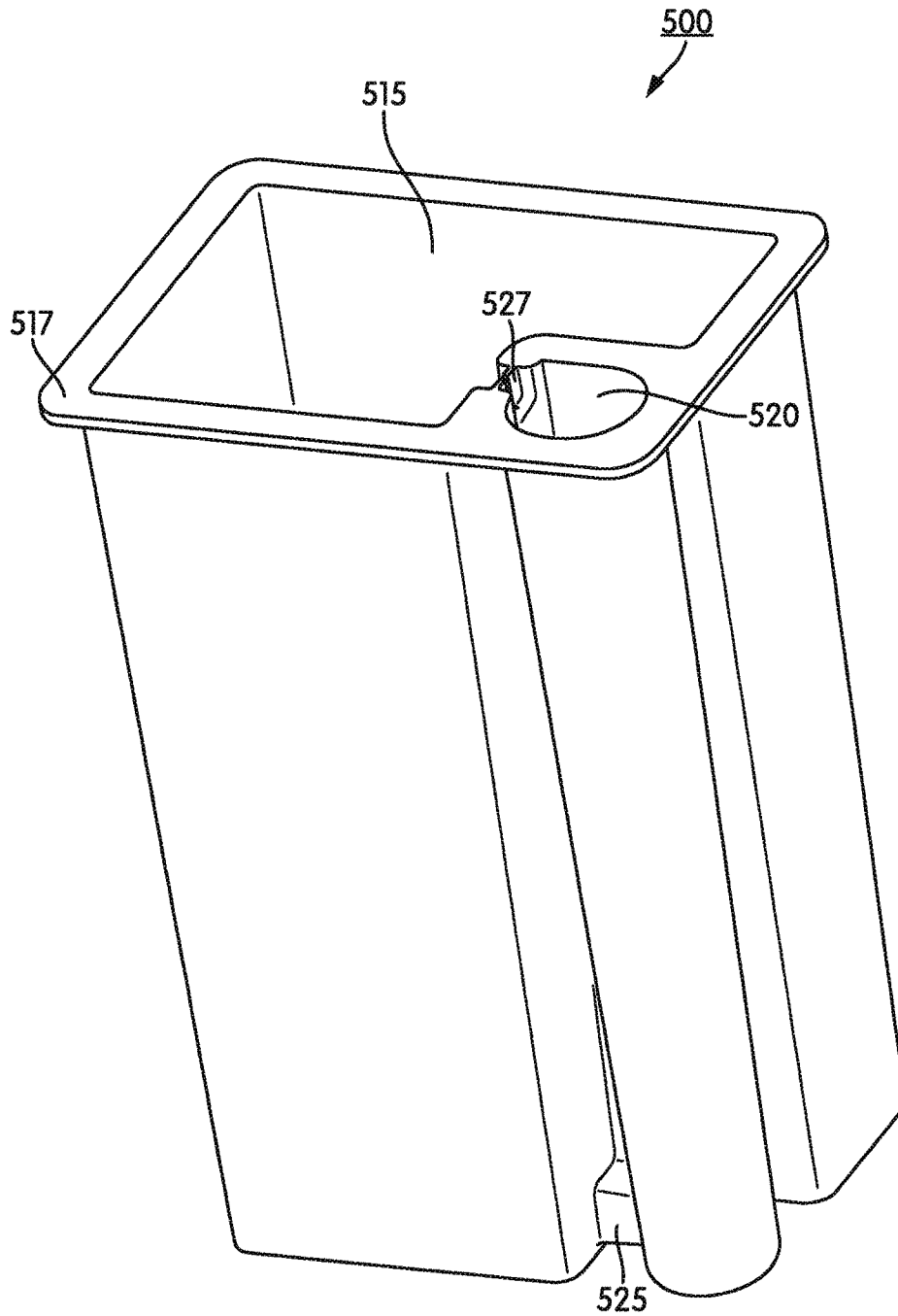


FIG. 10B

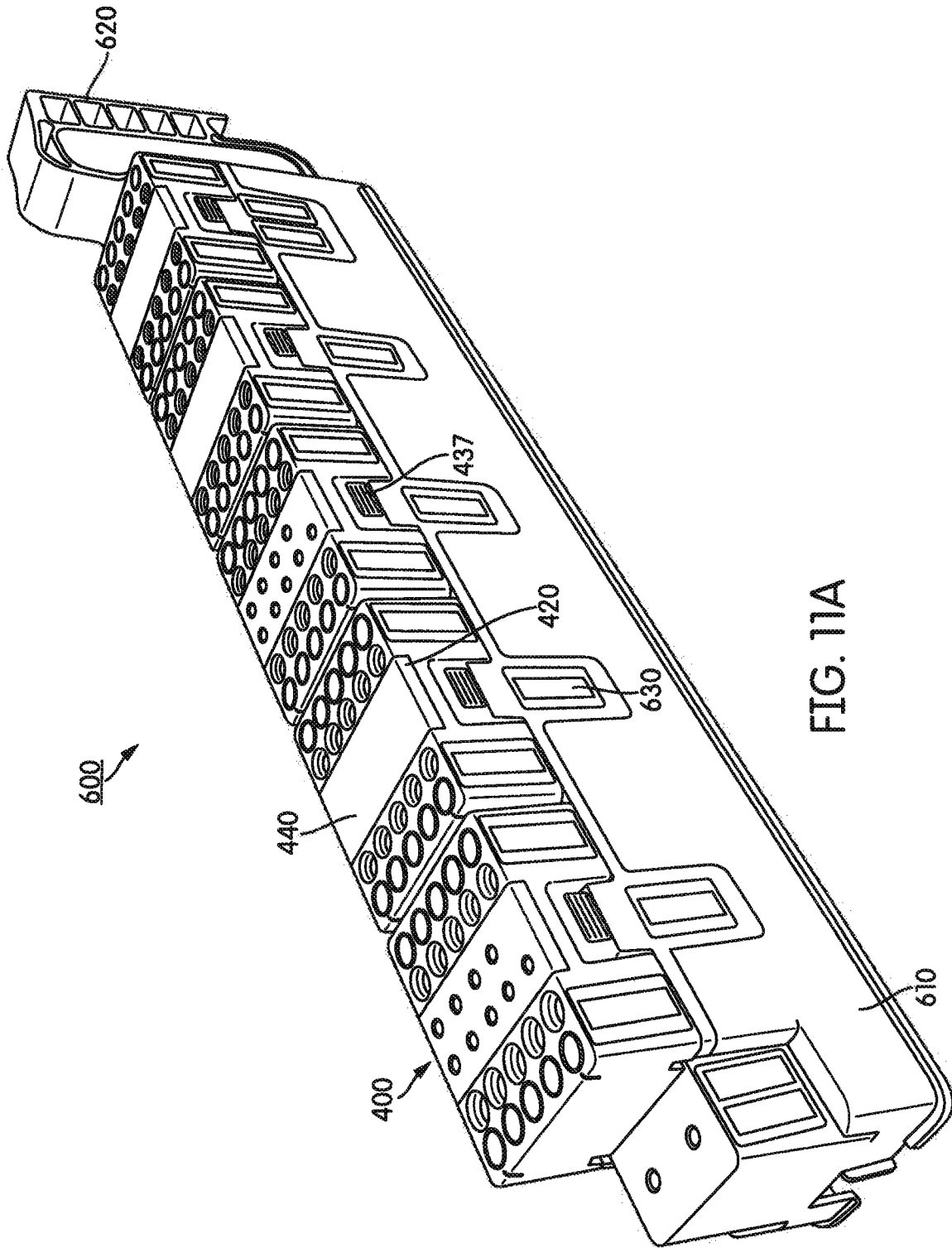


FIG. 11A

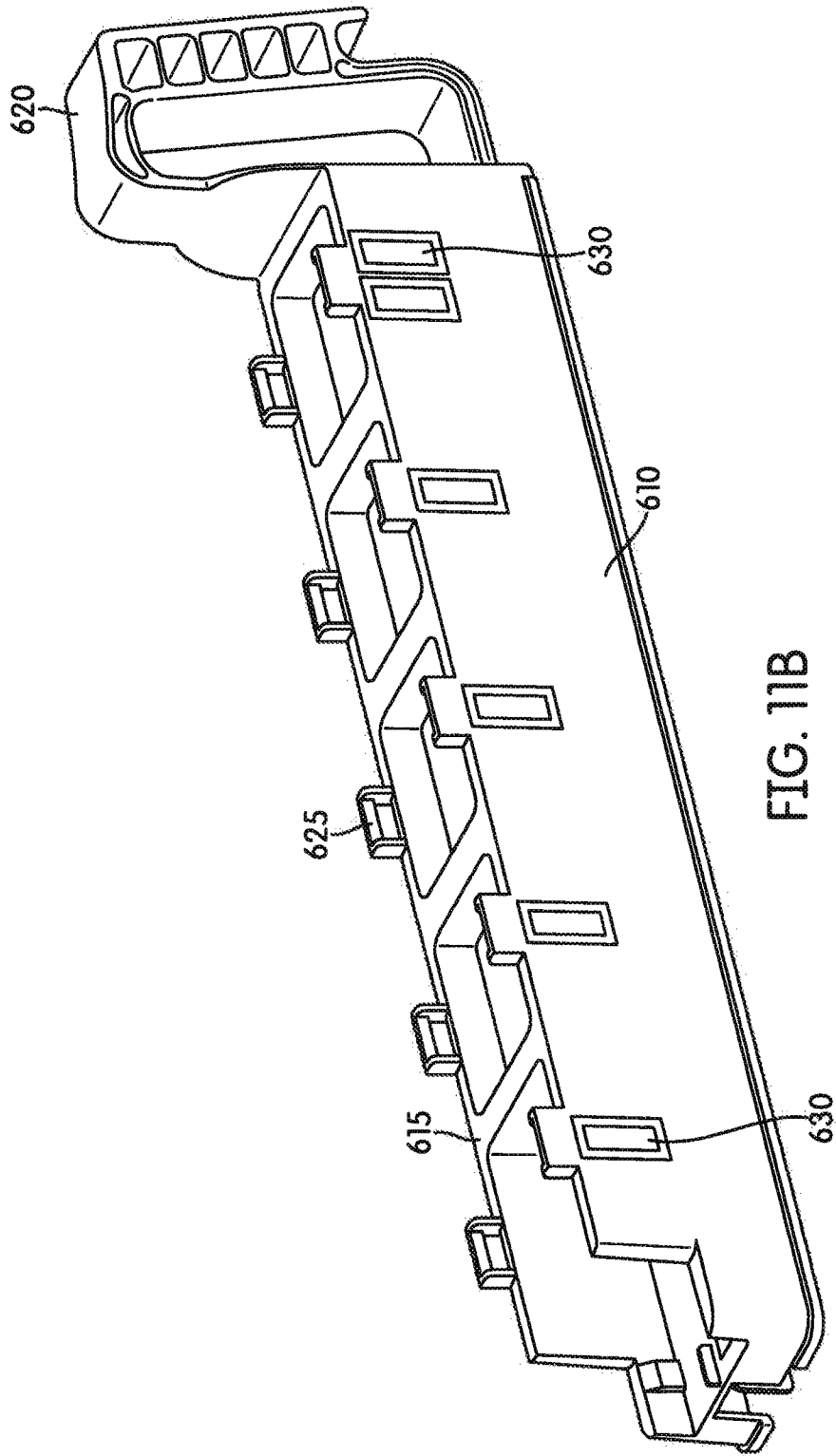


FIG. 11B

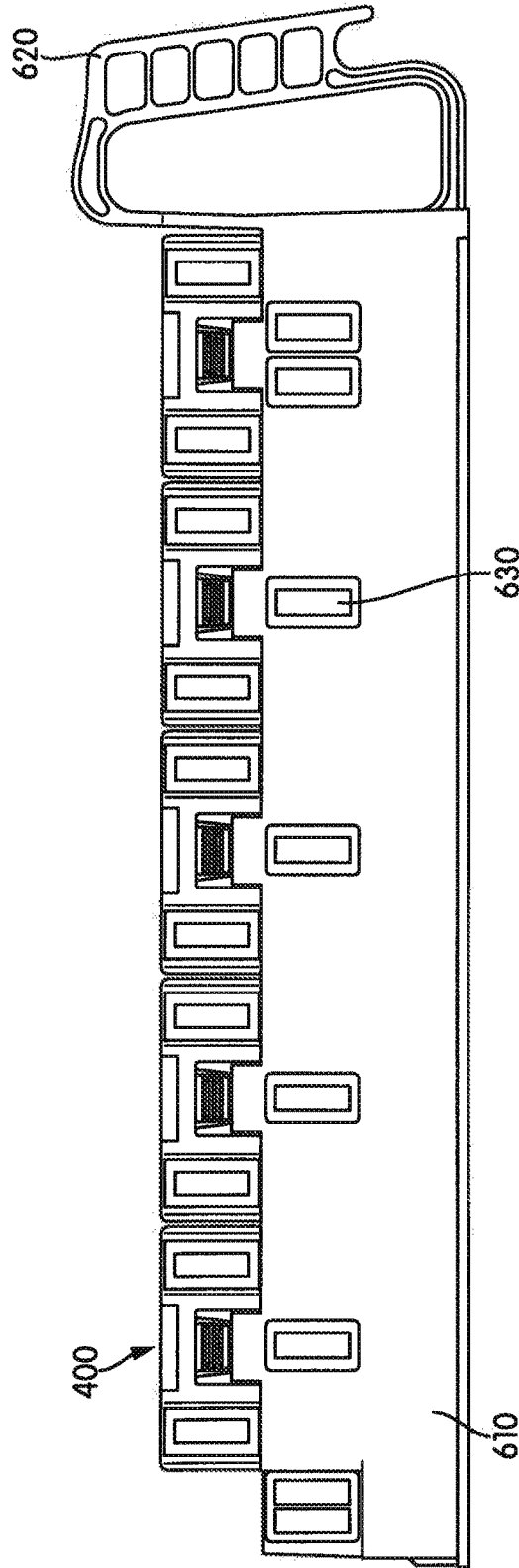


FIG. 11C

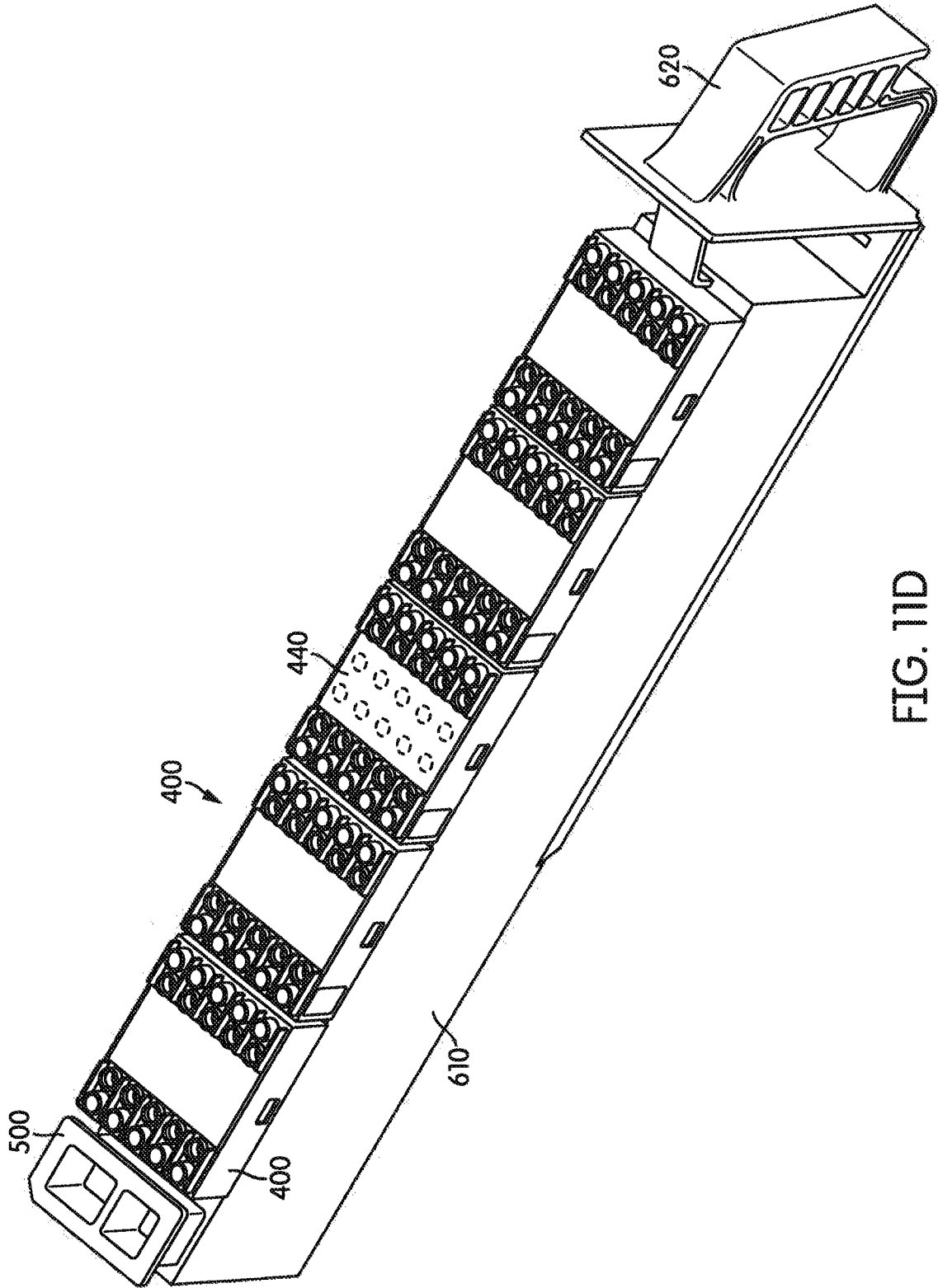


FIG. 11D

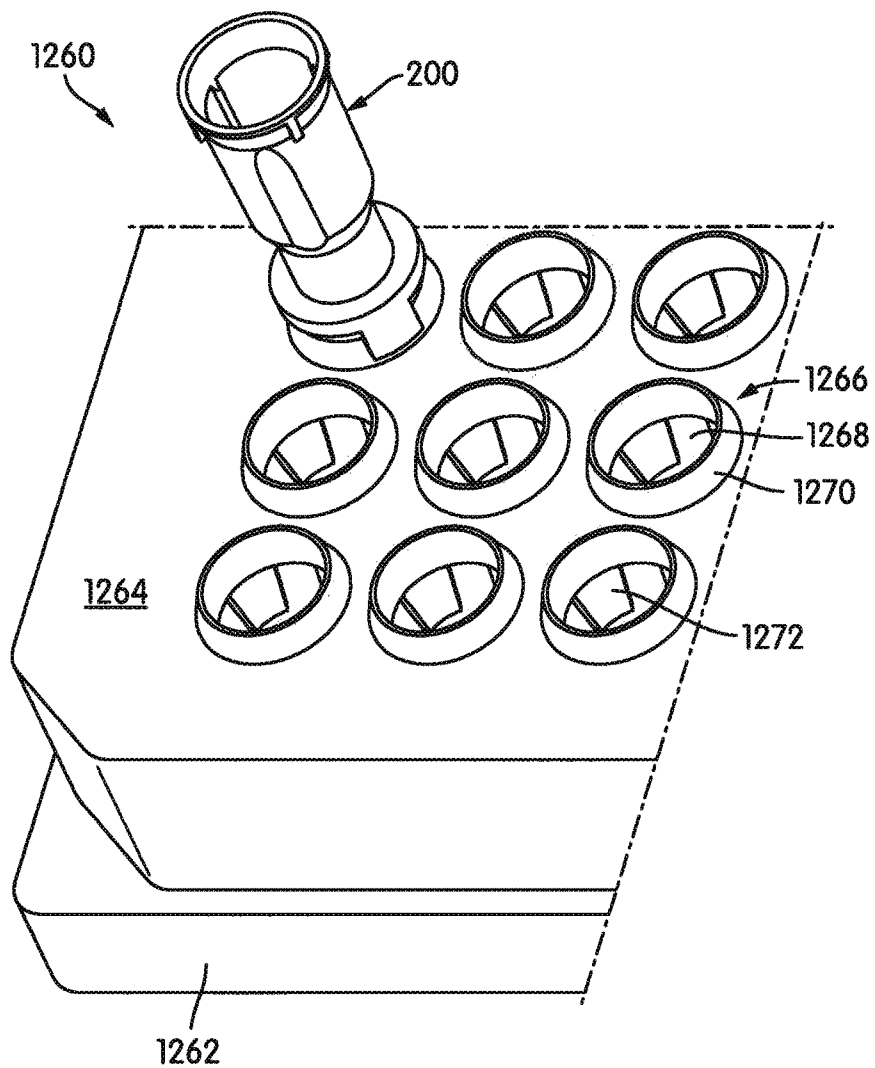


FIG. 12

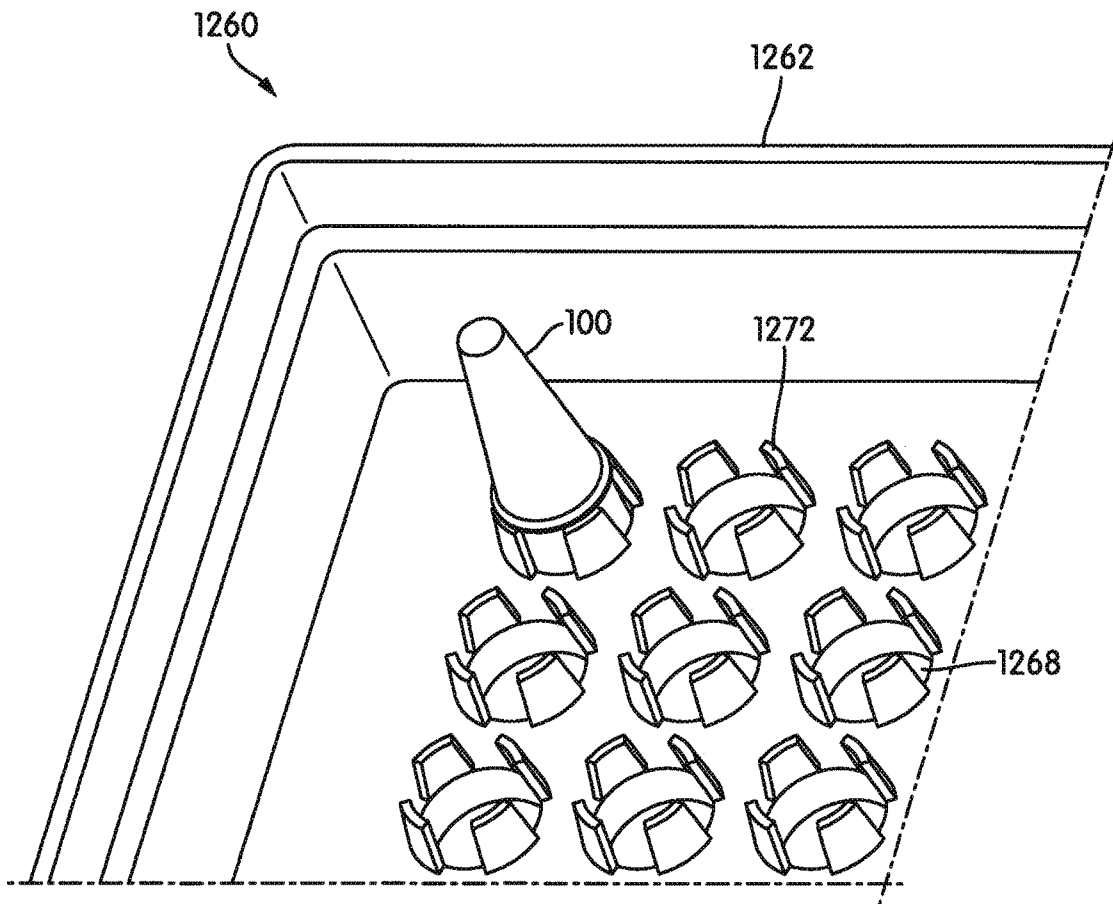


FIG. 13

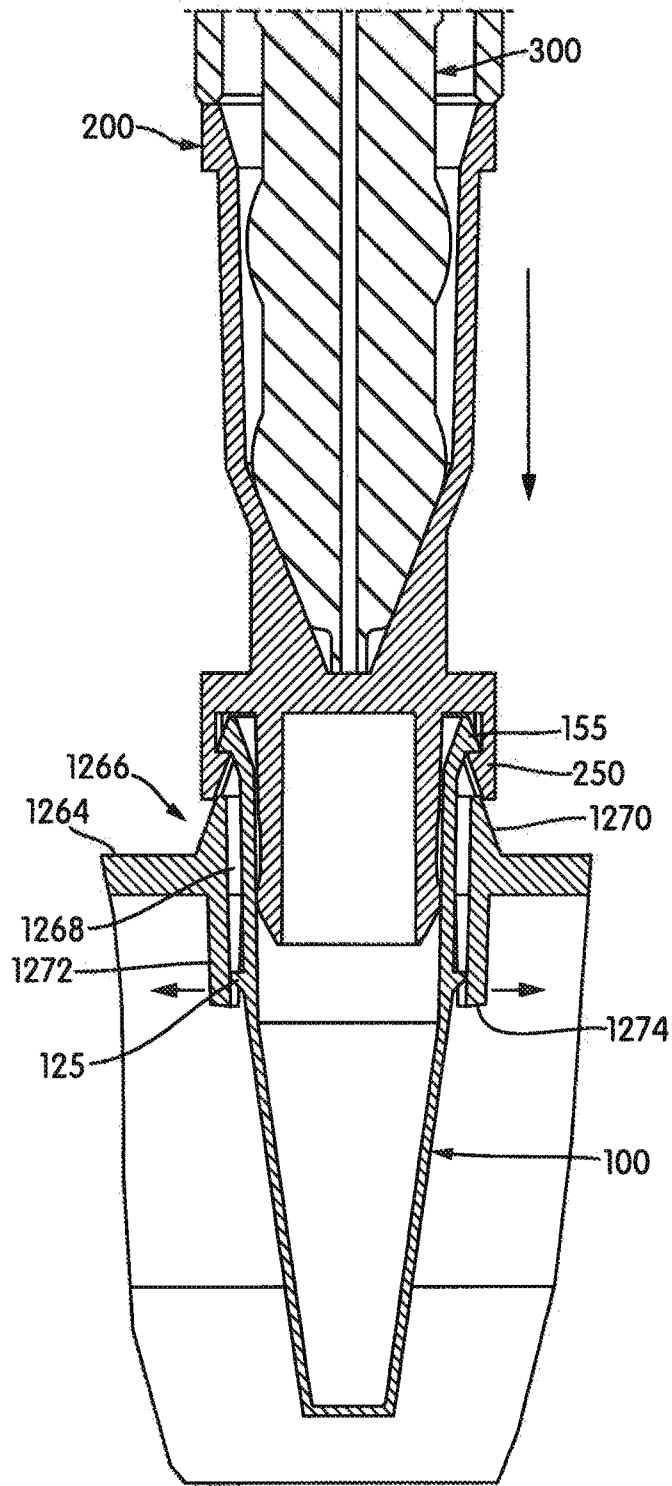


FIG. 14A

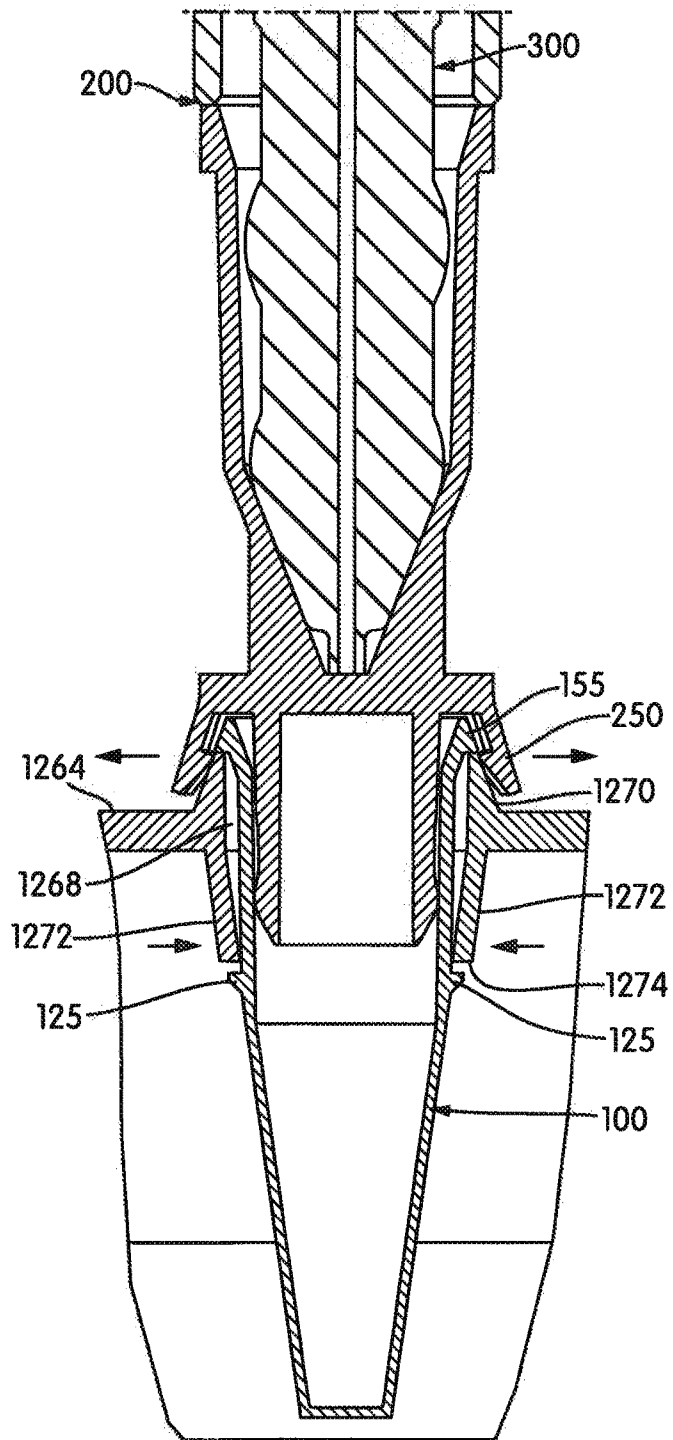


FIG. 14B

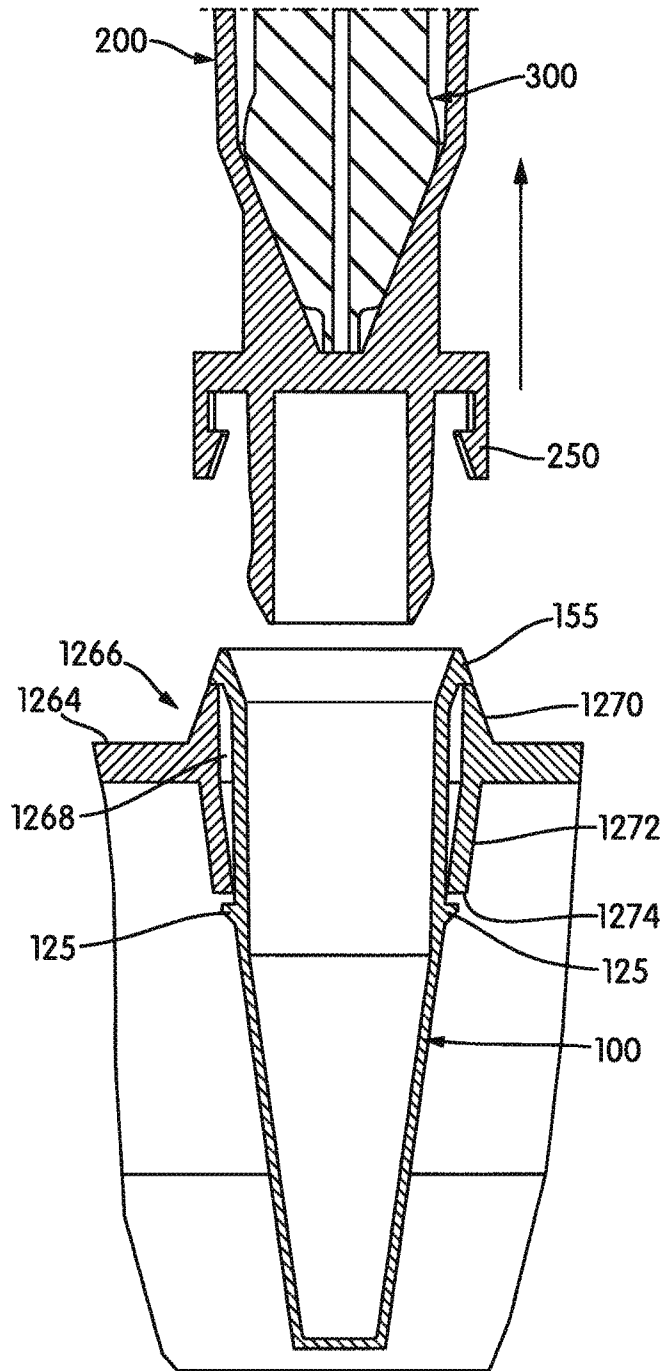


FIG. 14C