



US00D744594S

(12) **United States Design Patent**
Bigham et al.

(10) **Patent No.:** **US D744,594 S**

(45) **Date of Patent:** **** Dec. 1, 2015**

(54) **VEHICLE MOUNTED BANNER DEVICE**

(71) Applicant: **HardFlags, LLC**, Montgomery, AL (US)

(72) Inventors: **Shannon Harold Bigham**, Montgomery, AL (US); **Jason Sloane Bigham**, Auburn, AL (US); **Lance Nicholas Covert**, Montgomery, AL (US)

(73) Assignee: **HardFlags, LLC**, Montgomery, AL (US)

(**) Term: **14 Years**

(21) Appl. No.: **29/472,983**

(22) Filed: **Nov. 18, 2013**

(51) **LOC (10) Cl.** **20-03**

(52) **U.S. Cl.**
USPC **D20/10; D20/41**

(58) **Field of Classification Search**

USPC D20/10, 17, 19, 22-29, 40-42, 99; D10/109.1, 109.2, 113.4; D11/165, D11/166

CPC G09F 7/00; G09F 7/02; G09F 7/06; G09F 7/08; G09F 7/18; G09F 9/00; G09F 13/00; G09F 13/02; G09F 13/04; G09F 15/00; G09F 15/0012; G09F 15/0037; G09F 15/02; G09F 2007/1821; G09F 2007/1834; G09F 2013/0431; G09F 2013/0495; G09F 2017/0075; G09F 17/00; B60Q 7/005

See application file for complete search history.

(56) **References Cited**

U.S. PATENT DOCUMENTS

3,762,360 A * 10/1973 Hawes B60Q 7/005 116/173
D313,214 S * 12/1990 Phillips D10/110
D354,712 S * 1/1995 Moat D11/166
5,463,974 A * 11/1995 Seeder G09F 7/18

D371,164 S * 6/1996 Shane 116/173
5,727,497 A * 3/1998 Nichols, Jr. G09F 17/00 116/173
D421,730 S * 3/2000 Vance D11/166
D438,820 S * 3/2001 Goulding D11/166
6,276,083 B1 * 8/2001 Ross G09F 15/0025 116/173
6,808,098 B1 * 10/2004 Bickett, III B60D 1/36 116/173
D564,595 S * 3/2008 Barrett D20/29
2015/0033604 A1 * 2/2015 Bigham G09F 17/00 40/591
2015/0213741 A1 * 7/2015 Bigham G09F 17/00 116/173

* cited by examiner

Primary Examiner — Mary Ann Calabrese

(74) *Attorney, Agent, or Firm* — Alston & Bird LLP

(57) **CLAIM**

The ornamental design for a vehicle mounted banner device, as shown and described.

DESCRIPTION

FIG. 1 is a top perspective view of a vehicle mounted banner device according to of the present design;

FIG. 2 is a leading side view of the vehicle mounted banner device shown in FIG. 1;

FIG. 3 is a trailing side view of the vehicle mounted banner device shown in FIG. 1;

FIG. 4 is a top view of the vehicle mounted banner device shown in FIG. 1;

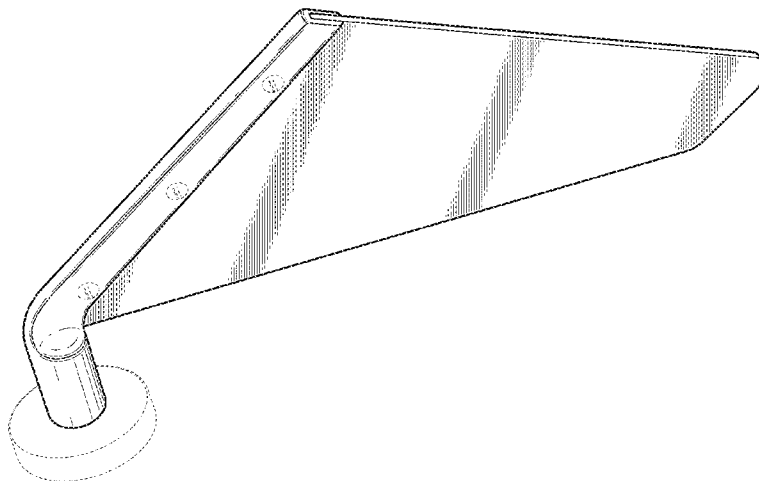
FIG. 5 is a bottom view of the vehicle mounted banner device shown in FIG. 1;

FIG. 6 is a left side view of the vehicle mounted banner device shown in FIG. 1; and,

FIG. 7 is a right side view of the vehicle mounted banner device shown in FIG. 1.

The broken lines represent features that form no part of the claimed design.

1 Claim, 5 Drawing Sheets



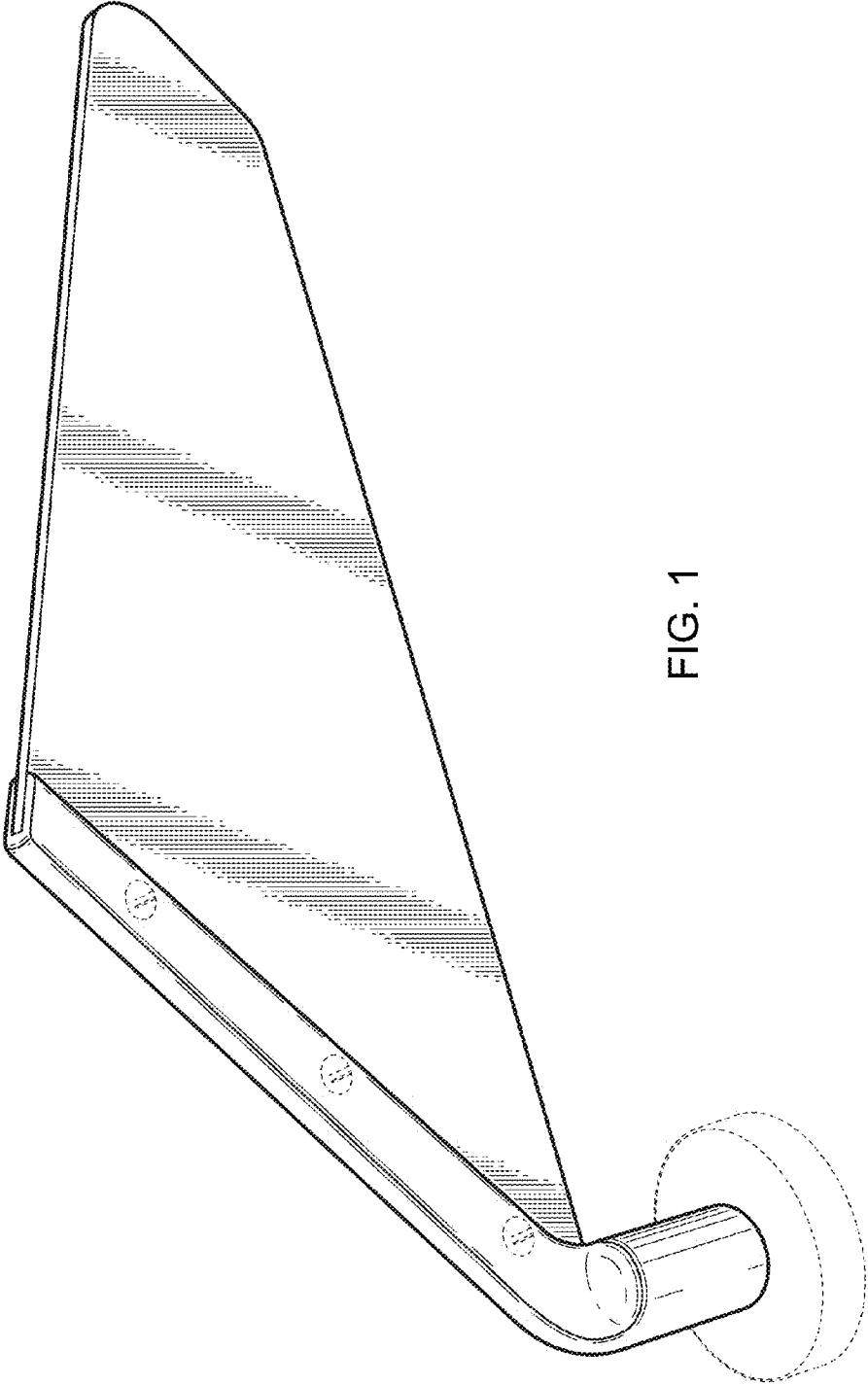


FIG. 1

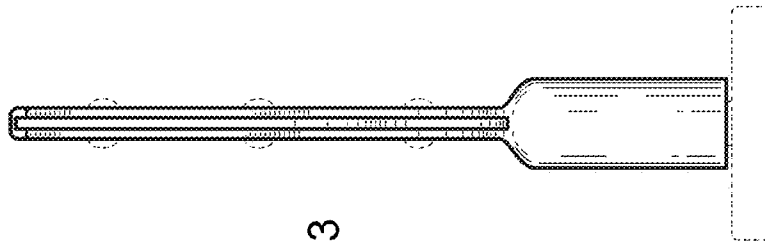


FIG. 3

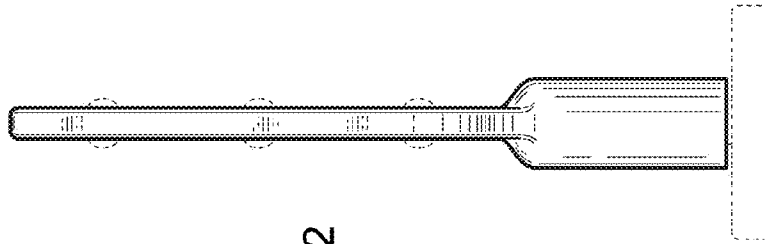


FIG. 2

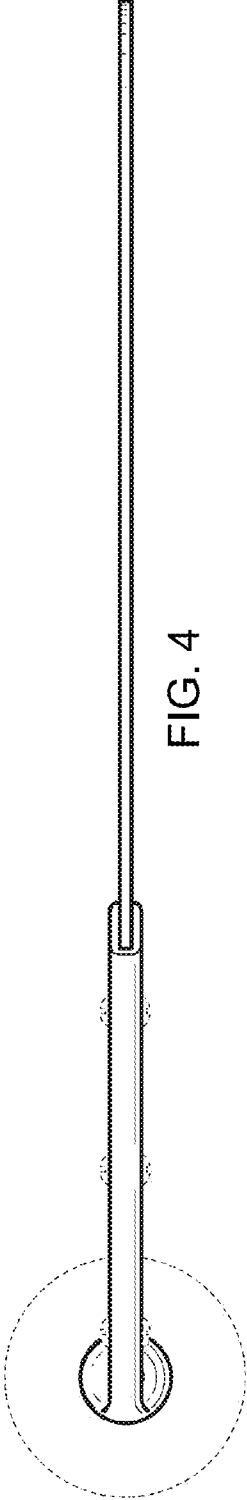


FIG. 4

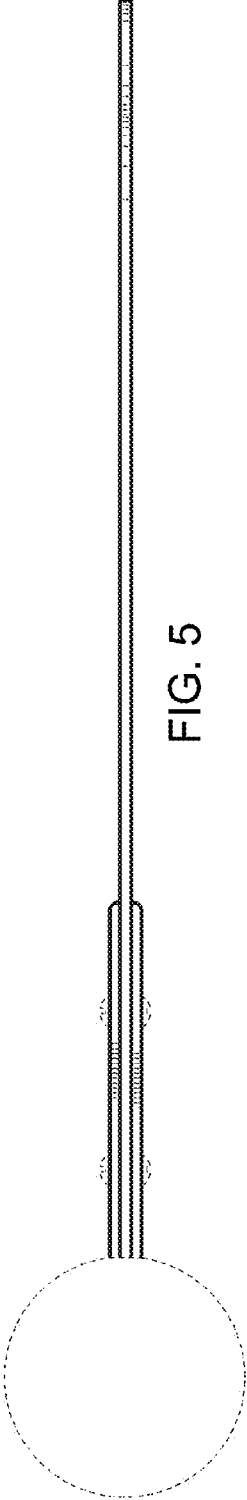


FIG. 5

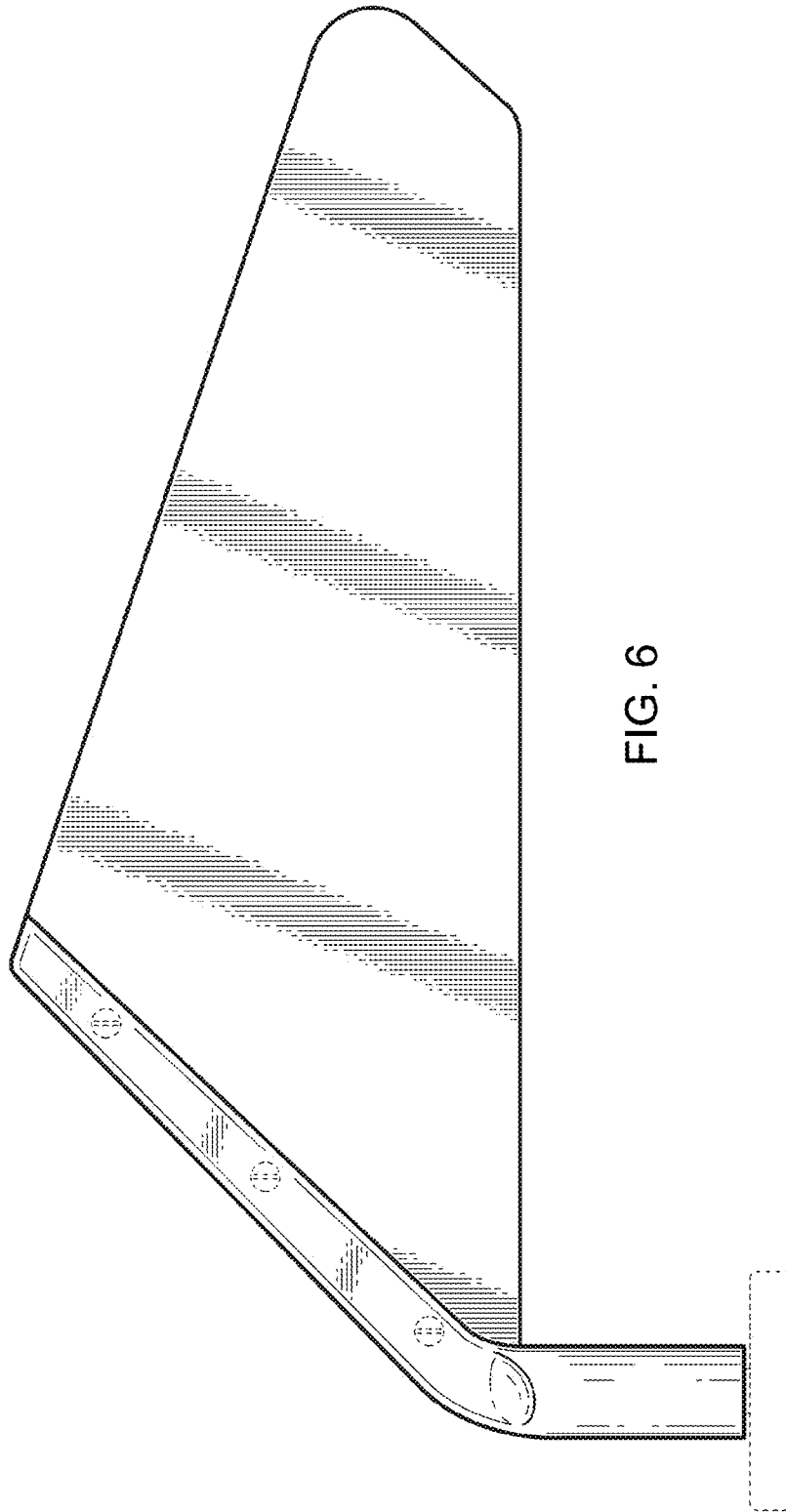


FIG. 6

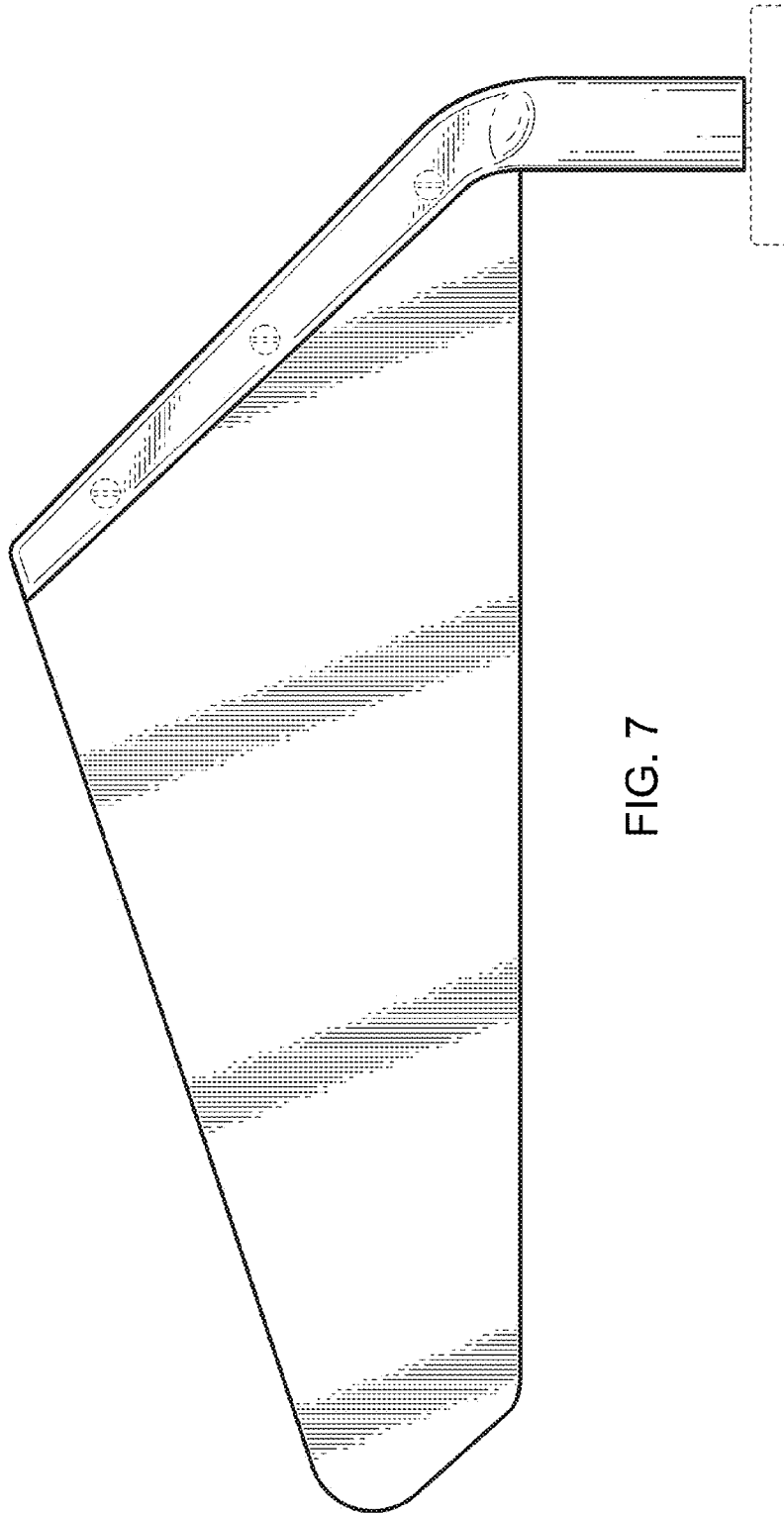


FIG. 7