



US00D607598S

(12) **United States Design Patent**  
**Xiao et al.**

(10) **Patent No.:** **US D607,598 S**

(45) **Date of Patent:** **\*\* Jan. 5, 2010**

(54) **LED LAMP**

(75) Inventors: **Xin-Jian Xiao**, Shenzhen (CN); **Qin-Fei Zhou**, Shenzhen (CN); **Shih-Hsun Wung**, Taipei Hsien (TW)

(73) Assignee: **Foxconn Technology Co., Ltd.**, Tu-Cheng, Taipei Hsien (TW)

(\*\*) Term: **14 Years**

(21) Appl. No.: **29/329,671**

(22) Filed: **Dec. 18, 2008**

(51) **LOC (9) Cl.** ..... **26-03**

(52) **U.S. Cl.** ..... **D26/80; D26/76**

(58) **Field of Classification Search** ..... D26/72, D26/75-78, 80; 362/133, 147, 217.01, 219, 362/221-225, 217.02, 217.08, 217.09, 217.1, 362/217.16

See application file for complete search history.

(56) **References Cited**

**U.S. PATENT DOCUMENTS**

D125,468	S	*	2/1941	Dreyfuss	.....	D26/75
2,715,449	A	*	8/1955	Smith et al.	.....	362/217.07
5,245,518	A	*	9/1993	Aspenwall	.....	362/217.09
D344,605	S	*	2/1994	Aspenwall	.....	D26/76

D401,001	S	*	11/1998	Herst et al.	.....	D26/77
D492,809	S	*	7/2004	Weitgasser	.....	D26/76
D521,172	S	*	5/2006	Chen	.....	D26/76
D554,793	S	*	11/2007	Bobel	.....	D26/76
D567,425	S	*	4/2008	Yates	.....	D26/76
D581,080	S	*	11/2008	Mier-Langner	.....	D26/72
2007/0183148	A1	*	8/2007	Mayfield et al.	.....	362/223

\* cited by examiner

*Primary Examiner*—Clare E Heflin

(74) *Attorney, Agent, or Firm*—Frank R. Niranjana

(57) **CLAIM**

The ornamental design for an LED lamp, as shown.

**DESCRIPTION**

FIG. 1 is a perspective view of an LED lamp showing our new design.

FIG. 2 is a front elevational view thereof.

FIG. 3 is a rear elevational view thereof.

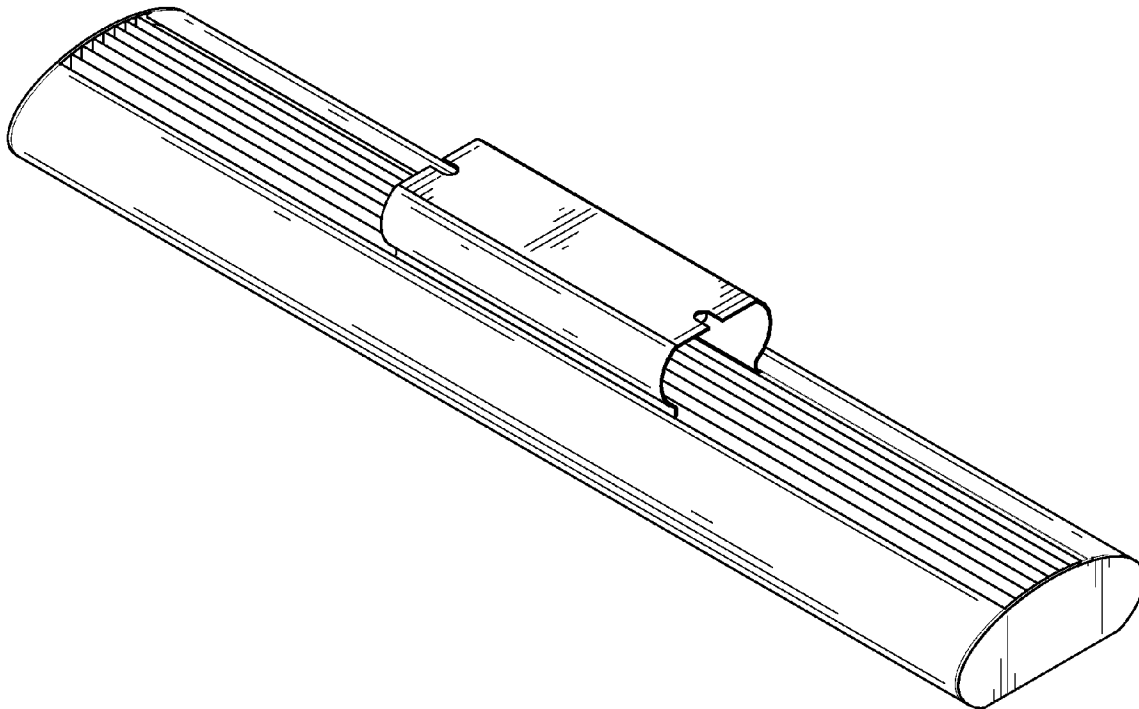
FIG. 4 is a left-side, elevational view thereof.

FIG. 5 is a right-side, elevational view thereof.

FIG. 6 is a top plan view thereof; and,

FIG. 7 is a bottom plan view thereof.

**1 Claim, 7 Drawing Sheets**



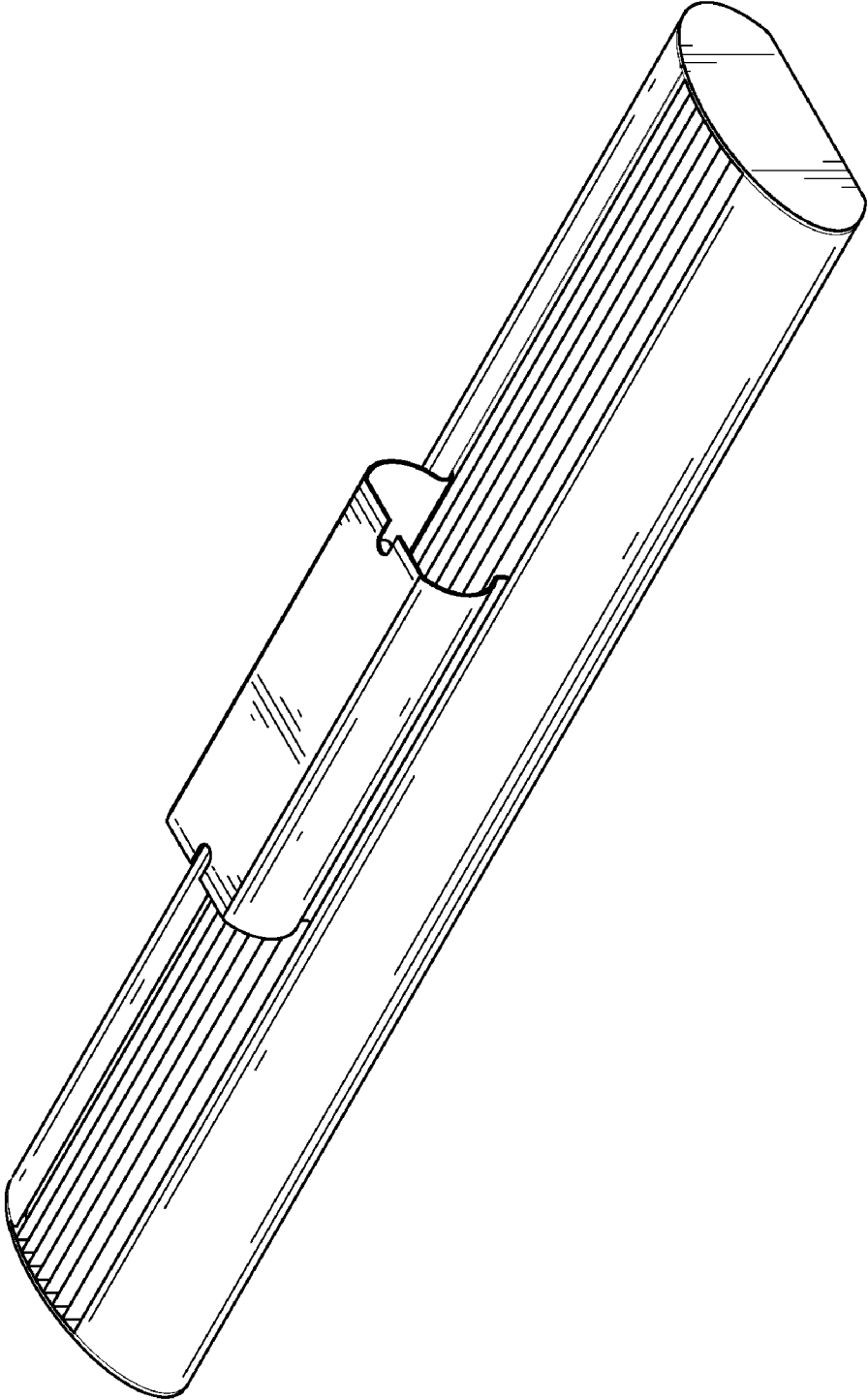


FIG. 1



FIG. 2

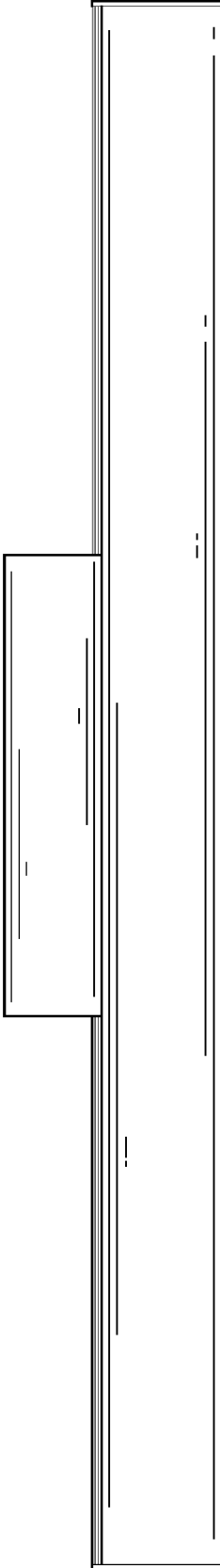


FIG. 3

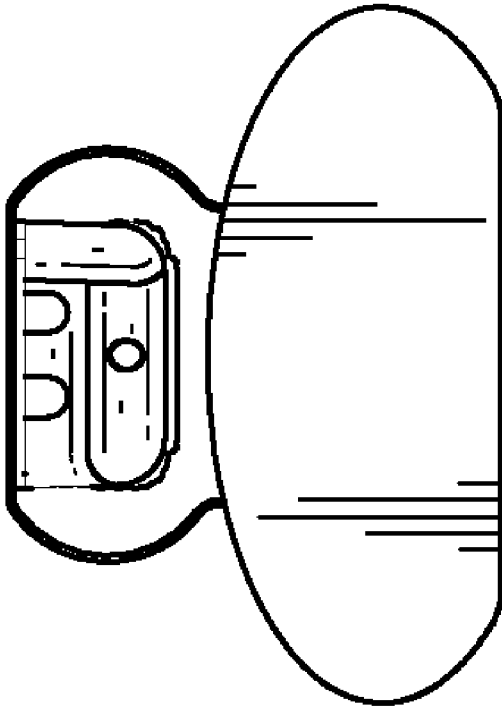


FIG. 4

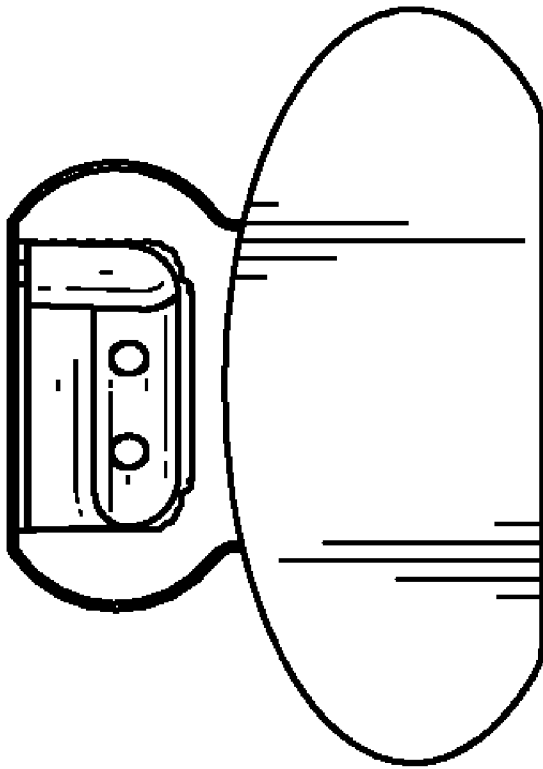


FIG. 5

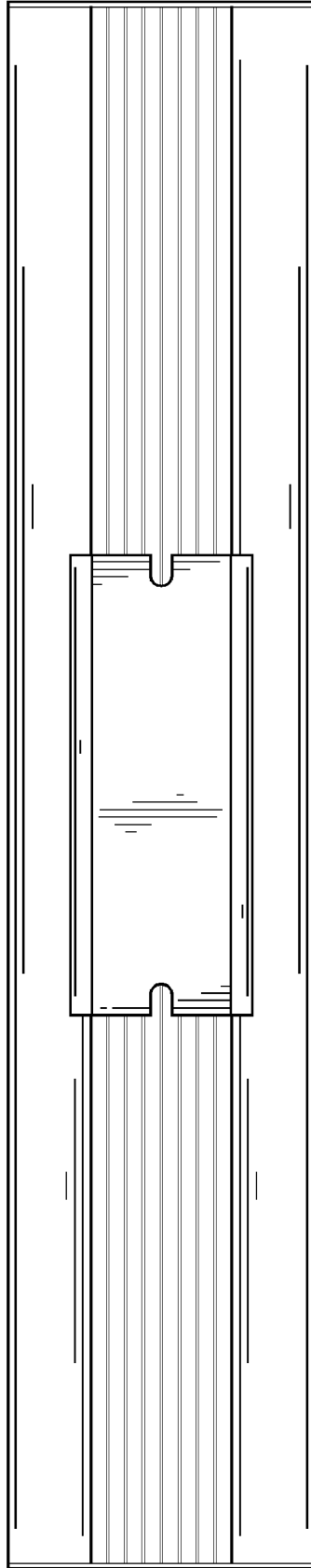


FIG. 6

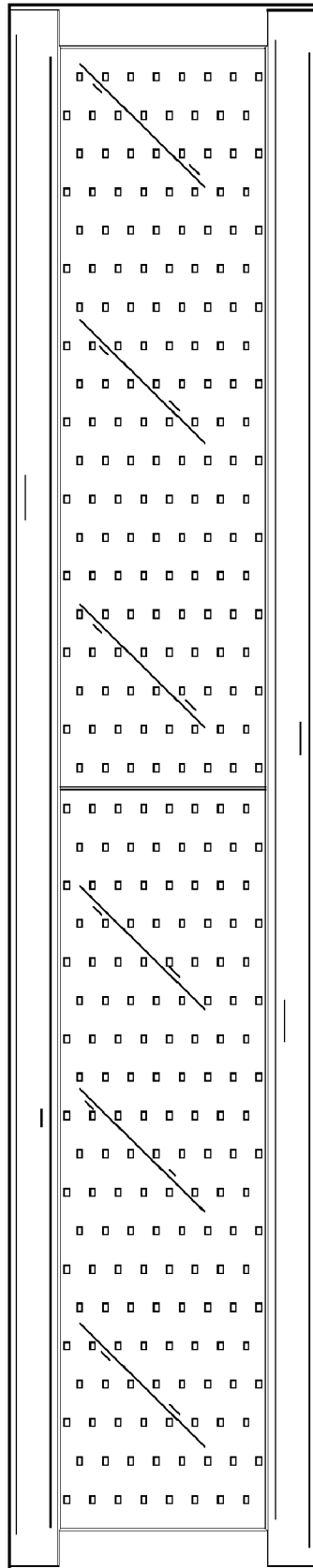


FIG. 7