



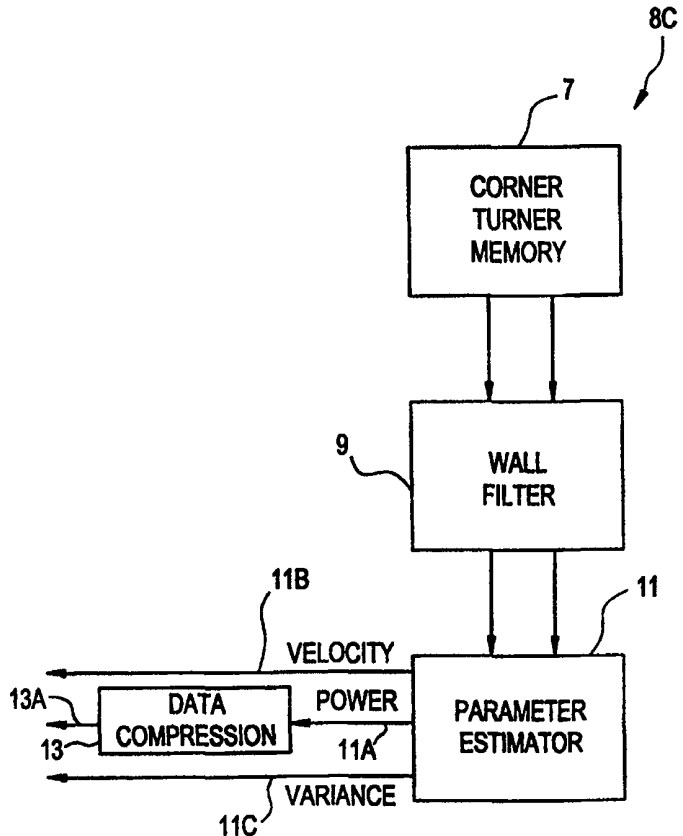
INTERNATIONAL APPLICATION PUBLISHED UNDER THE PATENT COOPERATION TREATY (PCT)

<p>(51) International Patent Classification ⁷ : G01S 15/89, 7/52</p>	<p>A1</p>	<p>(11) International Publication Number: WO 00/41003 (43) International Publication Date: 13 July 2000 (13.07.00)</p>
<p>(21) International Application Number: PCT/US99/28919 (22) International Filing Date: 6 December 1999 (06.12.99) (30) Priority Data: 09/224,450 31 December 1998 (31.12.98) US (71) Applicant: GENERAL ELECTRIC COMPANY [US/US]; 1 River Road, Schenectady, NY 12345 (US). (72) Inventors: WASHBURN, Michael, J.; 12920 West Graham Street, New Berlin, WI 53151 (US). MACLEOD, Gary, E.; N51 W17000 Old Hickory Road, Menomonee Falls, WI 53051 (US). LUCAS, Sean, D.; 129 West Wabash Avenue, Waukesha, WI 53186 (US). MUZILLA, David, John; 216 Eagle Lake Avenue, Mukwonago, WI 53149 (US). (74) Agents: STECKLER, Henry, I. et al.; General Electric Company, 3135 Easton Turnpike W3C, Fairfield, CT 06431 (US).</p>		<p>(81) Designated States: JP, European patent (AT, BE, CH, CY, DE, DK, ES, FI, FR, GB, GR, IE, IT, LU, MC, NL, PT, SE). Published <i>With international search report. Before the expiration of the time limit for amending the claims and to be republished in the event of the receipt of amendments.</i></p>

(54) Title: ULTRASOUND COLOR FLOW DISPLAY OPTIMIZATION BY ADJUSTMENT OF THRESHOLD

(57) Abstract

An ultrasound color flow imaging system is programmed to optimize display images of power and velocity by automatically adjusting thresholds by using histograms.



FOR THE PURPOSES OF INFORMATION ONLY

Codes used to identify States party to the PCT on the front pages of pamphlets publishing international applications under the PCT.

AL	Albania	ES	Spain	LS	Lesotho	SI	Slovenia
AM	Armenia	FI	Finland	LT	Lithuania	SK	Slovakia
AT	Austria	FR	France	LU	Luxembourg	SN	Senegal
AU	Australia	GA	Gabon	LV	Latvia	SZ	Swaziland
AZ	Azerbaijan	GB	United Kingdom	MC	Monaco	TD	Chad
BA	Bosnia and Herzegovina	GE	Georgia	MD	Republic of Moldova	TG	Togo
BB	Barbados	GH	Ghana	MG	Madagascar	TJ	Tajikistan
BE	Belgium	GN	Guinea	MK	The former Yugoslav Republic of Macedonia	TM	Turkmenistan
BF	Burkina Faso	GR	Greece	ML	Mali	TR	Turkey
BG	Bulgaria	HU	Hungary	MN	Mongolia	TT	Trinidad and Tobago
BJ	Benin	IE	Ireland	MR	Mauritania	UA	Ukraine
BR	Brazil	IL	Israel	MW	Malawi	UG	Uganda
BY	Belarus	IS	Iceland	MX	Mexico	US	United States of America
CA	Canada	IT	Italy	NE	Niger	UZ	Uzbekistan
CF	Central African Republic	JP	Japan	NL	Netherlands	VN	Viet Nam
CG	Congo	KE	Kenya	NO	Norway	YU	Yugoslavia
CH	Switzerland	KG	Kyrgyzstan	NZ	New Zealand	ZW	Zimbabwe
CI	Côte d'Ivoire	KP	Democratic People's Republic of Korea	PL	Poland		
CM	Cameroon	KR	Republic of Korea	PT	Portugal		
CN	China	KZ	Kazakstan	RO	Romania		
CU	Cuba	LC	Saint Lucia	RU	Russian Federation		
CZ	Czech Republic	LI	Liechtenstein	SD	Sudan		
DE	Germany	LK	Sri Lanka	SE	Sweden		
DK	Denmark	LR	Liberia	SG	Singapore		
EE	Estonia						

ULTRASOUND COLOR FLOW DISPLAY OPTIMIZATION
BY ADJUSTMENT OF THRESHOLD

CROSS-REFERENCE TO RELATED APPLICATIONS

Not applicable.

5

STATEMENT REGARDING FEDERALLY

SPONSORED RESEARCH OR DEVELOPMENT

Not applicable.

10

BACKGROUND OF THE INVENTION

This invention generally relates to ultrasound color flow Doppler imaging of fluid flow fields. In particular, the invention relates to a method and an apparatus for improving the display of such imaging.

15

Ultrasonic scanners for detecting blood flow based on the Doppler effect are well known. Such systems operate by actuating an ultrasonic transducer array to transmit ultrasonic waves into the object and receiving ultrasonic echoes backscattered from the object. In the measurement of blood flow characteristics,

returning ultrasonic waves are compared to a frequency reference to determine the frequency shift imparted to the returning waves by flowing scatterers such as blood cells. This frequency, i.e., phase shift, translates into the velocity of the blood flow. The blood velocity is calculated by measuring the phase shift from firing to firing at a
5 specific range gate.

The change or shift in backscattered frequency increases when blood flows toward the transducer and decreases when blood flows away from the transducer. Color flow images are produced by superimposing a color image of the velocity of moving material, such as blood, over a black and white anatomical B-mode image.
10 Typically, color flow mode displays hundreds of adjacent sample volumes simultaneously, all laid over a B-mode image and color-coded to represent each sample volume's velocity.

15 Typically, color flow processors estimate blood flow velocity, blood flow power, and blood flow variance. Typically, color flow data is used to modify the color of a region of interest on a display screen. The user selects the type of data used for the display. The modes typically available are power only, velocity only or velocity and variance combined.

20 In current ultrasound scanners, various color flow display parameters are either fixed with no user selectability or are preset to some specific setting and can only be changed if action is taken by the user, one parameter at a time. This limits image quality and user productivity for any given application and scanning situation.
25 There is a need for a scanner in which these same parameters can all be automatically adjusted at the same time to optimize image quality related to color flow display for a specific scanning situation, thus increasing user productivity.

In the color flow power or color flow velocity modes of operation, known ultrasound scanners provide a B/color priority threshold which is user selectable from a softkey menu on the user's console of the scanner. The threshold may be set by the user to various percentages of the maximum B-mode gray scale value. For any pixel within the color mode region of interest (ROI), if the B-mode pixel value exceeds the selected B/color priority threshold, then the B-mode value is displayed for that pixel. Otherwise, the corresponding color pixel value is displayed, if there is one. However, the actual B-mode data maximum value may vary over a wide range. As a result, the threshold is frequently less than optimal. Accordingly, there is a need for a color flow ultrasound scanner which can automatically adjust the B/color priority threshold according to the actual B-mode data.

BRIEF SUMMARY OF THE INVENTION

This invention is useful in an ultrasound imaging system generating color flow signals in response to ultrasound signals backscattered from a subject under study and generating image signals based on the amplitude of ultrasound signals backscattered from the subject under study. This aspect of the invention displays images in response to the color flow signals by receiving a threshold signal preferably from a user operated control. A first set of data words is stored in response to the color flow signals and a second set of data words is stored in response to the image signals, preferably in a digital memory. A characteristic value corresponding to at least one characteristic of the second set of data words is determined, preferably by a logic unit. The threshold value is altered in response to the characteristic value. Data words are selected from the first and second sets depending on a predetermined relationship between the altered threshold value and the values of the data words in the first and second sets, preferably by the logic unit. A color flow image is displayed in response to the selected data words.

By using the foregoing techniques, the display of an ultrasound scanner can be automatically adjusted for optimum viewing.

BRIEF DESCRIPTION OF THE DRAWINGS

5 FIG. 1 is a schematic block diagram showing the signal processing chain for a conventional color flow and B-mode ultrasound imaging system.

 FIG. 2 is a schematic block diagram showing the mid processor color flow apparatus illustrated in FIG. 1.

10

 FIG. 3 is a schematic block diagram showing the mid processor B-mode apparatus illustrated in FIG. 1.

 FIG. 4 is a schematic block diagram showing additional details of portions of
15 the system illustrated in FIG. 1.

 FIG. 5 is a graph showing a possible form of data stored in a memory illustrated in FIG. 4.

20 DETAILED DESCRIPTION OF THE INVENTION

Referring to FIG. 1, the basic signal processing chain for a color flow and gray scale imaging system comprises an ultrasound transducer array 2, which is activated to transmit pulse sequences comprising tone bursts of length P which are fired

repeatedly at a pulse repetition frequency (PRF) which typically is in the kilohertz range. The pulse sequences, including burst lengths P, are different for the color flow and B-mode processing. For color flow imaging, P may be 4 to 8 cycles, and the tone bursts are focused at the same transmit focal position with the same transmit characteristics.

A series of color flow transmit firings focused at the same transmit focal position are referred to as a "packet". Each transmit beam propagates through the object being scanned and is reflected by ultrasound scatterers in the object.

The return RF signals are detected by the transducer elements and received by the respective receive channels in the beamformer 4. The beamformer sums the delayed channel data and outputs in a beam summed signal which is demodulated into in-phase and quadrature (I/Q) signal components by a demodulator 6. The B-mode I, Q outputs from demodulator 6 are transmitted to a mid processor 8G for gray scale B-mode processing, and the color flow I, Q outputs from demodulator 6 are transmitted to a mid-processor 8C for color processing.

FIG. 2 illustrates mid-processor 8C. The I/Q signal components from demodulator 6 are stored in a corner turner memory 7, whose purpose is to buffer data from possibly interleaved firings and output the data as vectors of points across firings at a given range cell. Data is received in "fast time", or sequentially down range (along a vector) for each firing. The output of the corner turner memory is reordered into "slow time", or sequentially by firing for each range cell. The resultant "slow time" I/Q signal samples are passed through a wall filter 9 which rejects any clutter corresponding to stationary or very slow-moving tissue. The filtered outputs are then fed into a parameter estimator 11, which converts the range cell information into the

intermediate autocorrelation parameters N , D and $R(O)$. N and D are the numerator and denominator for the autocorrelation equation, as shown below:

$$N = \sum_{i=1}^{M-1} (I_i Q_{i+1} - I_{i+1} Q_i) \quad (2)$$

5

$$D = \sum_{i=1}^{M-1} (I_i I_{i+1} + Q_i Q_{i+1}) \quad (3)$$

where I_i and Q_i are the demodulated, basebanded input data for firing i , and M is the number of firings in the packet. $R(O)$ is approximated as a finite sum over the number of firings in a packet, as follows:

10

$$R(O) = \sum_{i=1}^{M-1} \frac{(I_i^2 + Q_i^2 + I_{i+1}^2 + Q_{i+1}^2)}{2} \quad (4)$$

A processor converts N and D into a magnitude and phase for each range cell.

15 The equations used are as follows:

$$|R(T)| = \sqrt{N^2 + D^2} \quad (5)$$

$$\phi (R(T)) = \tan^{-1} \left[\frac{N}{D} \right] \quad (6)$$

The parameter estimator processes the magnitude and phase values into signals having values representing estimates of power, velocity and turbulence or variance which are transmitted on conductors 11A, and 11B and 11C, respectively. The phase is used to calculate the mean Doppler frequency, which is proportional to the velocity as shown below; $R(O)$ and $|R(T)|$ (magnitude) are used to estimate the turbulence.

The mean Doppler frequency in hertz is obtained from the phase of N and D and the pulse repetition from T :

$$\bar{f} = \frac{1}{2\pi T} \tan^{-1} \left[\frac{N}{D} \right] = \frac{1}{2\pi T} (\phi (R(T))) \quad (7)$$

15

The mean velocity is calculated using the Doppler shift equation below. Since θ , the angle between the flow direction and the sampling direction, is not known, $\cos \theta$ is assumed to be 1.0.

20

$$\bar{v} = \frac{\bar{f}}{f_o} \frac{c}{2\cos\theta} \quad (8)$$

5 Preferably, the parameter estimator does not calculate the mean Doppler frequency as an intermediate output, but calculates \bar{v} directly from the phase output of the processor using a look-up table.

10 The turbulence may be calculated in the time domain as a second-order series expansion of the variance of the mean Doppler frequency. The time domain expression for turbulence involves calculating the zero-lag and one-lag autocorrelation functions, $R(O)$ and $R(T)$ respectively. The exact autocorrelation functions are approximated by finite sums over the known data in the number of firings in a packet:

$$\sigma^2 = \frac{2}{(2\pi T)^2} \left[1 - \frac{|R(T)|}{R(O)} \right] \quad (9)$$

15

The mean value signal θ ($R(T)$) is an estimate of the mean Doppler frequency shift of the flowing reflectors, which in turn is proportional to the mean blood flow velocity. The variance signal σ^2 indicates the frequency spread of the flow signal component of the baseband echo signal. This value is indicative of flow turbulence, since laminar flow has a very narrow range of velocities, while turbulent flow is a mixture of many velocities. To indicate the strength of the signal from the flowing reflectors, the signal $R(O)$ indicates the amount of the returned power in the Doppler-shifted flow signal.

20

The signal power on conductor 11A is passed through a data compression module 13 which compresses the data according to families of data compression curves. A different family of curves can be provided for different scanning applications. For example, one family of curves is provided for renal scanning, while
5 another family of curves is provided for carotid artery scanning. Typically, there are about three curves per family. The dynamic range of the signals is changed according to the curve used for the data compression. The curves in each family are arranged in order of increasing dynamic range. Controller 26 sets the default curve when a user selects the scan application. The dynamic range controls the range of intensities or
10 lumens created on display 18.

Referring to FIG. 3, gray scale B-mode mid-processor 8G includes an envelope detector 10 for forming the envelope of the beamsummed receive signal by computing the quantity $(I^2 + Q^2)^{1/2}$. The envelope of the signal undergoes some
15 additional B-mode processing, such as logarithmic compression (block 12 in FIG. 3), to form display data which is output to the scan converter 14 (Fig. 1).

Referring again to Fig. 1, the color flow estimates and gray scale display data are sent to the scan converter 14, which converts the data into X-Y format for video
20 display. The scan-converted frames are passed to a video processor 16, which basically maps the video data to a display color map and gray scale image frames for video display. The image frames are then sent to the video monitor 18 for display. Typically, for color images, either velocity or power are displayed alone or velocity is displayed in conjunction with either power or turbulence. System control is centered
25 in a host computer (not shown), which accepts operator inputs through an operator interface (e.g., a keyboard) and in turn controls the various subsystems.

In general, for B-mode gray scale images, the display data is converted by the scan converter 14 into X-Y format for video display. The scan-converted frames are passed to the video processor 16, which maps the video data to a gray scale or mapping for video display. The gray scale image frames are then sent to the video monitor 18 for display.

The images displayed by the video monitor 18 are produced from an image frame of data in which each datum indicates the intensity or brightness of a respective pixel in the display. An image frame may, e.g., comprise a 256 x 256 data array in which each intensity datum is an 8-bit binary number that indicates pixel brightness. The brightness of each pixel on the display monitor 18 is continuously refreshed by reading the value of its corresponding element in the data array in a well-known manner. Each pixel has an intensity value which is a function of the backscatter cross section of a respective sample volume in response to interrogating ultrasonic pulses and the gray map employed.

Referring to FIG. 4, system control is centered in a master controller or host computer 26, which accepts operator inputs through an operator interface (not shown) and in turn controls the various subsystems. The master controller 26 also generates the system timing and control signals. The master controller 26 comprises a central processing unit (CPU) 30 and a random access memory 32. A keyboard 29 is used to enter data into CPU 30. The CPU 30 has read only memory incorporated therein for storing routines used in constructing gray and color maps based on acquired raw data.

The scan converter 14 comprises an acoustic line memory 22 and an X-Y memory 24. The B-mode and color mode intensity data stored in polar coordinate (R - θ) sector format in acoustic line memory 22 is transformed to appropriately scaled Cartesian coordinate pixel display data, which is stored in X-Y memory 24. The color

data is stored in memory locations 24C, and the gray scale data is stored in memory locations 24G. The scan-converted frames are passed to video processor 16, which maps the data to a gray map for video display. The gray scale image frames are then sent to the video monitor for display.

5

Successive frames of acoustic sample data are stored in cine memory 28 on a first-in, first-out basis. Color frames are stored in memory locations 28C, and gray scale frames are stored in memory locations 28G. In the color region of interest, for every word of color data corresponding to a display pixel, there is a corresponding word of B-mode gray scale data corresponding to that pixel. The cine memory is like a circular image buffer that runs in the background, continually capturing acoustic sample data that is displayed in real time to the user. When the user freezes the system, the user has the capability to view acoustic sample data previously captured in cine memory.

10

15

The CPU 30 controls the XY memory 24 and the cine memory 28 via the system control bus 34. In particular, the CPU 30 controls the flow of raw data from the XY memory 24 to the video processor 16 and to the cine memory 28 and from the cine memory to the video processor 16 and to the CPU 26 itself. The CPU also loads the gray maps and color maps into the video processor.

20

Image frames are collected in cine memory 28 on a continuous basis. The cine memory 28 provides resident digital image storage for single image review and multiple image loop review and various control functions. The region of interest displayed during single-image cine replay is that used during the image's acquisition. The cine memory also acts as a buffer for transfer of images to digital archival devices (not shown) via the master controller 26.

25

The CPU 30 has random access memory for storing routines used in acquiring a raw data histogram, determining the end points of a new gray map input range, constructing a new gray map based on the end points of the new gray map input range, comparing the slope and gain of the new gray map to predetermined slope and gain limits, and if either limit is exceeded, reconstructing the new gray map to conform to the limit or limits.

In accordance with the preferred embodiments of the invention, the contrast of the ultrasound images is adjusted by the master controller 26 by creating a mapping of raw acoustic sample data into adjusted gray and color map values. First, the master controller 26 retrieves one or more image frames of raw data from the X-Y memory 24 or from the cine memory 28, storing that raw data in memory 32. The CPU 30 then compiles a histogram of the number of acoustic samples having an amplitude or value within each of a multiplicity of prescribed ranges or bins for the retrieved image frames of raw data.

According to the preferred embodiment, a color flow auto display processing mode is initiated by the user through keyboard 29 (Fig. 4) and can then be re-initiated by the user for updating of post-processing parameters or turned off altogether as the scanning situation changes.

The preferred embodiment uses the above-described B-mode gray scale and color flow scan data to optimize image quality of the color display. A composite histogram (histogram of the data over several frames) and/or a single frame histogram are constructed from the cine memory 28 data for color flow and/or B-mode by controller 26. Algorithms then are applied to the histogram results by controller 26 to

determine how to properly adjust various parameters for a specific scanning situation or application.

The algorithms are described as follows:

5 A single frame of B-mode gray scale data is collected from cine memory 28G which represents the amplitude of the scan data using the current preset dynamic range setting and compression curve for B-mode. Controller 26 executes the algorithm which generates a first composite histogram of the data which may appear as in Fig. 5.

10 As an alternative to the preceding steps, controller 26 forms a histogram of the scan data before any dynamic range compression is applied or uncompresses the data and forms a histogram.

By operating keyboard 29, the user may enter the color flow modes in which power and velocity data are used separately. In those modes, there is a B/color
15 priority threshold which is user selectable from a softkey menu on keyboard 29 and which is preset to $x\%$ of the maximum B-mode gray scale value of 255. The threshold is received, for example, at terminals 31 and 33. For any pixel within the color mode region of interest (ROI), if the B-mode pixel value exceeds the selected B/color priority threshold, then the B-mode value is displayed for that pixel.
20 Otherwise, the corresponding color pixel value is displayed, if there is one.

The algorithm captures a single frame of B-mode data words from cine memory 28G and detects the n percent B-mode words having the largest values within the color ROI. For example, if n is 5 percent, then all the B-mode words of memory 28G in the color ROI are read, and the 5 percent of such words having the largest
25 values are identified as a set. The foregoing step preferably is carried out using the histogram calculated as described in connection with Fig. 5. The B/Color priority threshold is then set to x percent of the mean of the set where x is the currently

selected B/Color priority threshold percentage. The automatically adjusted threshold then is used to create a display in the manner previously described.

5 The embodiments described here can be extended to automatically adjust other post-processing parameters such as power thresholds, wall filter cutoffs, baseline shifts, and velocity scales. The same basic idea of collecting B and/or color flow frames of cine data would be applied and associated algorithms would be employed to determine exactly how to adjust the particular post processing parameter.

10 The foregoing preferred embodiments have been disclosed for the purpose of illustration. Variations and modifications of the concept of the invention will be readily apparent to persons skilled in the art. All such variations and modifications are intended to be encompassed by the claims set forth hereinafter.

WHAT IS CLAIMED IS.

1. In an ultrasound imaging system generating color flow signals in response to ultrasound signals backscattered from a subject under study and generating image signals based on the amplitude of ultrasound signals backscattered from the subject under study, improved apparatus for displaying images in response to the color flow signals comprising in combination:
- 5
- a terminal connected to receive a threshold signal;
- 10 a memory connected to store a first set of data words in response to the color flow signals and second set of data words in response to the image signals;
- a logic unit connected to determine a characteristic value corresponding to at least one characteristic of the second set of data words, to alter the threshold value in response to the characteristic value and to select data words from the first and second sets
- 15 depending on a predetermined relationship between the altered threshold value and the values of the data words in the first and second sets; and
- a display connected to display a color flow image in response to the selected data words.
2. Apparatus, as claimed in claim 1, wherein the image signals comprise B-mode signals.
- 20
3. Apparatus, as claimed in claim 1, wherein the color flow signals comprise power signals representing power estimates calculated in response to the backscattered signals.

4. Apparatus, as claimed in claim 1, wherein the color flow signals comprise velocity signals representing velocity estimates calculated in response to the backscattered signals.

5. Apparatus, as claimed in claim 1, wherein the one characteristic comprises the mean of the values of the data words in at least a portion of the second set.

6. Apparatus, as claimed in claim 5, wherein the portion of the second set comprises a predetermined percentage of the data words in the second set having the largest values.

7. Apparatus, as claimed in claim 1, wherein the terminal comprises an input operable by a user.

8. Apparatus, as claimed in claim 1, wherein the predetermined relationship comprises selection of a data word in the second set if the value of the data word in the second set compares to the altered threshold value in a predetermined manner and selection of a data word in the first set if the value of the data word in the second set fails to compare to the altered threshold value in the predetermined manner.

9. In an ultrasound imaging system generating color flow signals in response to ultrasound signals backscattered from a subject under study and generating image signals based on the amplitude of ultrasound signals backscattered from the subject under study, an improved method for displaying images in response to the color flow signals comprising the steps of:

receiving a threshold signal;

storing a first set of data words in response to the color flow signals and second set of data words in response to the image signals;

determining a characteristic value corresponding to at least one characteristic of the second set of data words;

altering the threshold value in response to the characteristic value;

selecting data words from the first and second sets depending on a predetermined relationship between the altered threshold value and the values of the data words in the first and second sets; and

displaying a color flow image in response to the selected data words.

5 10. A method, as claimed in claim 9, wherein the image signals comprise B-mode signals.

11. A method, as claimed in claim 9, wherein the color flow signals comprise power signals representing power estimates calculated in response to the backscattered signals.

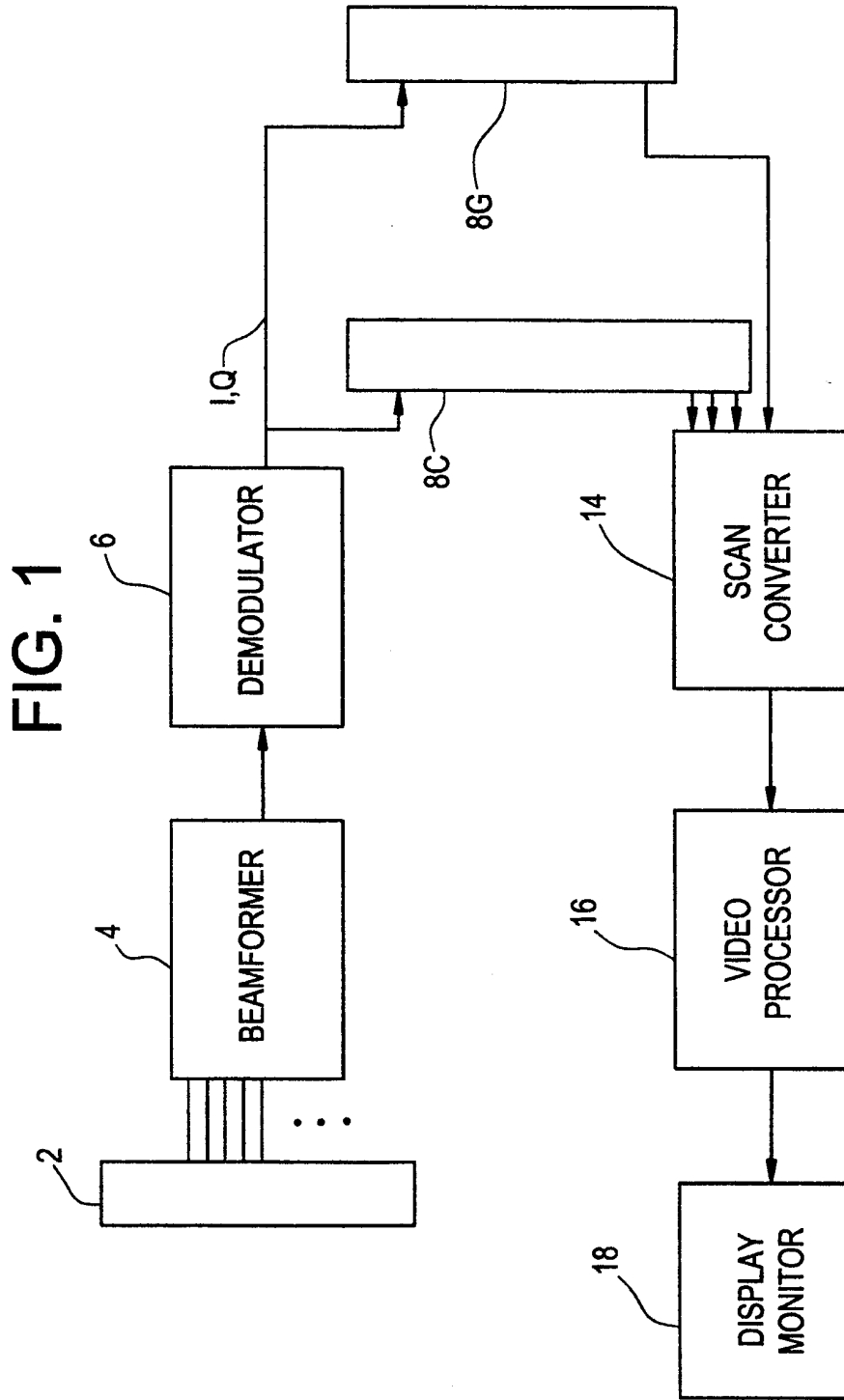
10 12. A method, as claimed in claim 9, wherein the color flow signals comprise velocity signals representing velocity estimates calculated in response to the backscattered signals.

13. A method, as claimed in claim 9, wherein the one characteristic comprises the mean of the values of the data words in at least a portion of the second set.

15 14. A method, as claimed in claim 13, wherein the portion of the second set comprises a predetermined percentage of the data words in the second set having the largest values.

15. A method, as claimed in claim 9, wherein the step of receiving comprises the step of generating a threshold signal based of user input.

20 16. A method, as claimed in claim 9, wherein the selecting data words comprises the step of selecting a data word in the second set if the value of the data word in the second set compares to the altered threshold value in a predetermined manner and selecting a data word in the first set if the value of the data word in the second set fails to compare to the altered threshold value in the predetermined
25 manner.



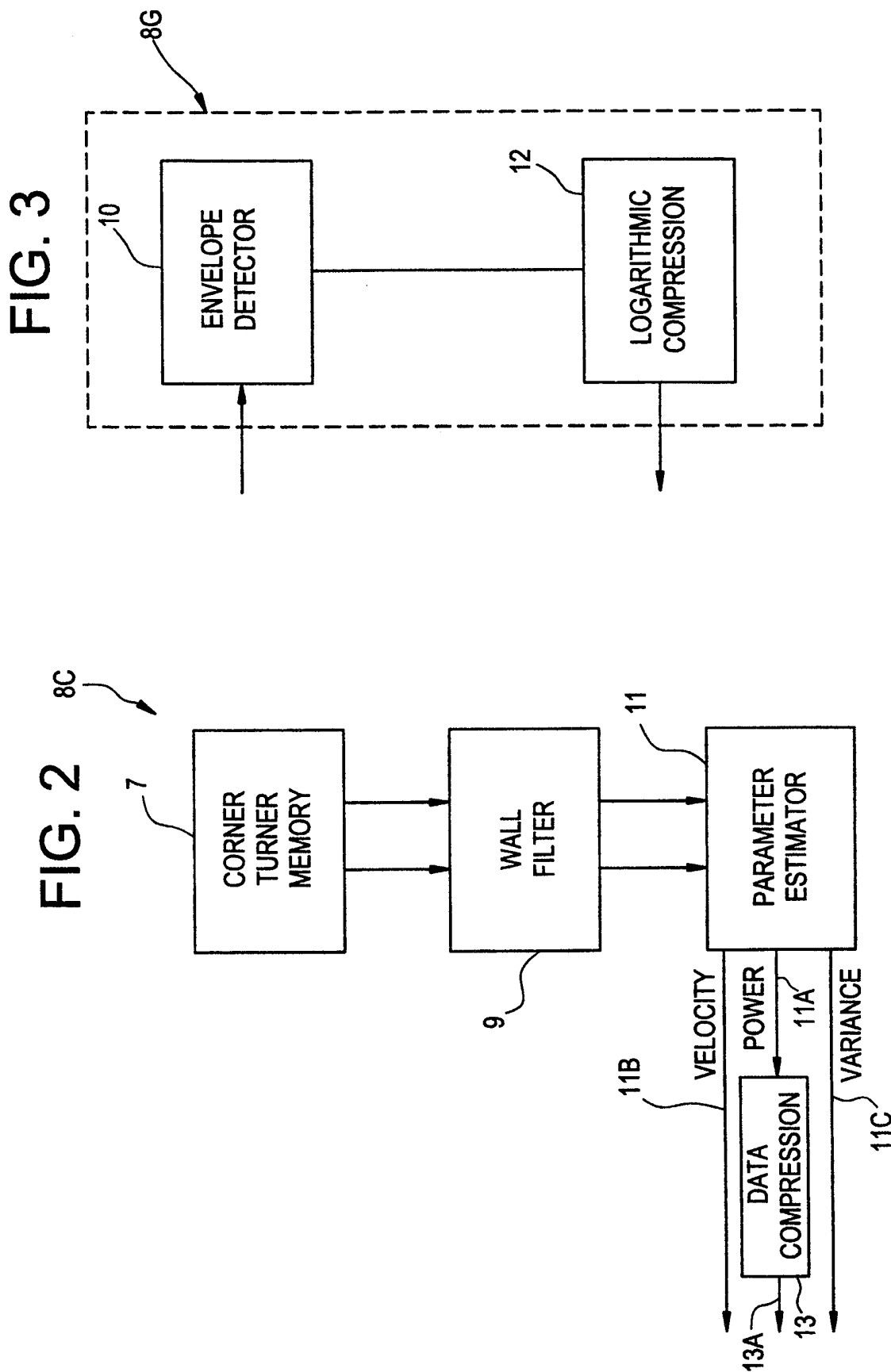


FIG. 4

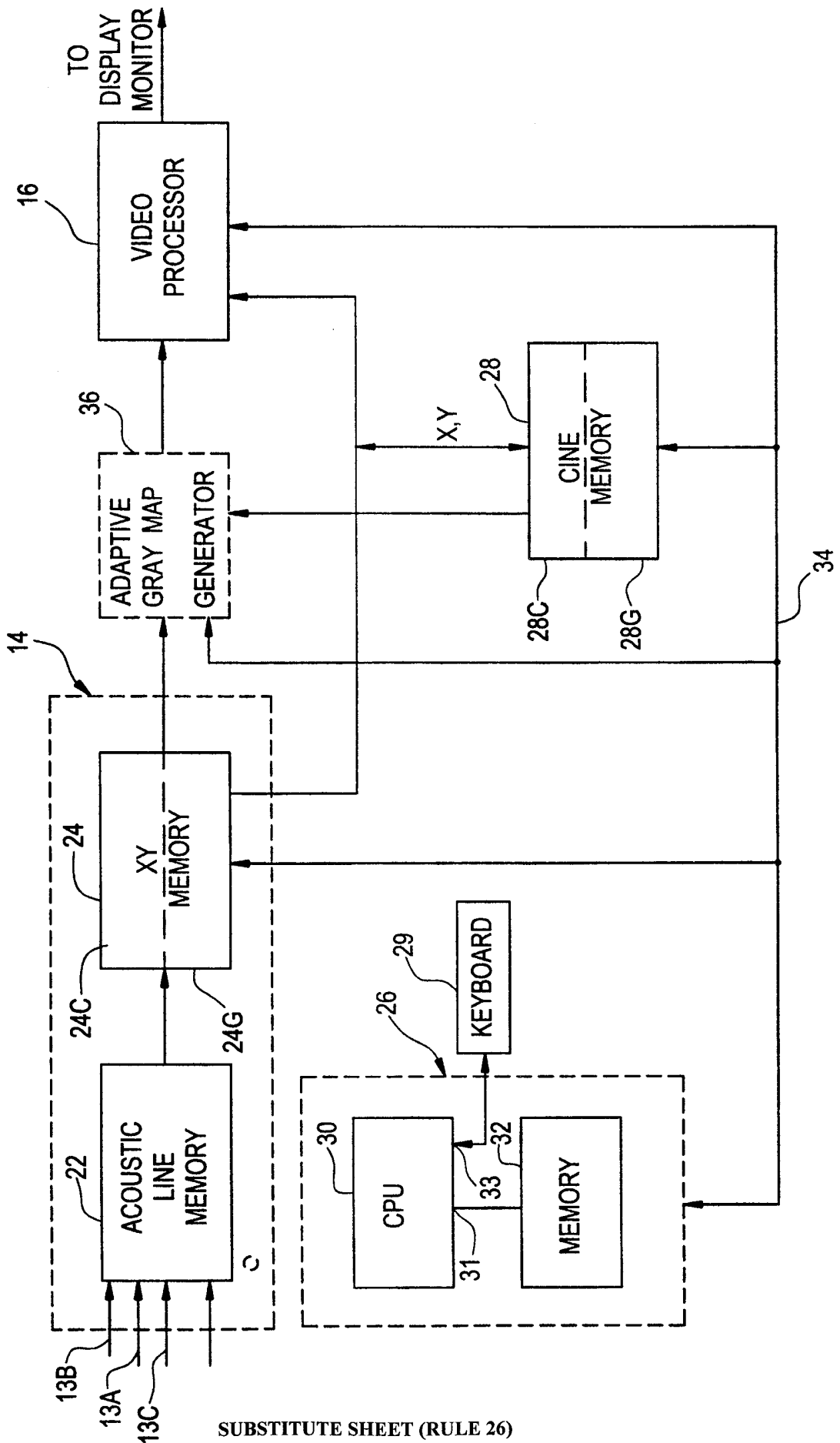
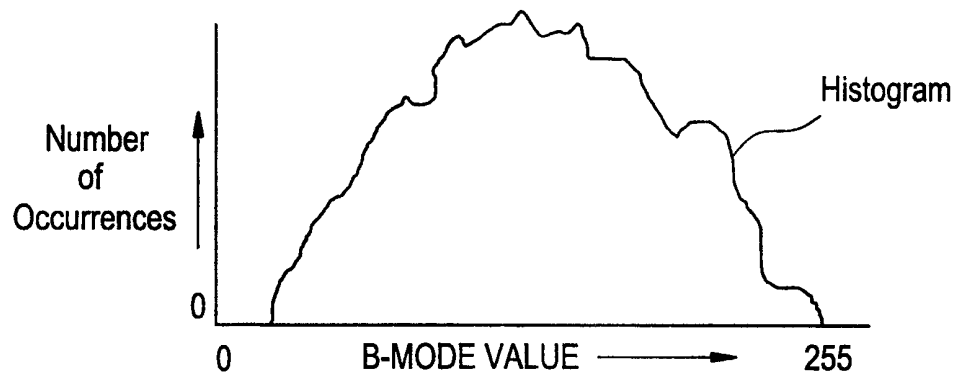


FIG. 5



INTERNATIONAL SEARCH REPORT

Int. Application No PCT/US 99/28919

A. CLASSIFICATION OF SUBJECT MATTER
 IPC 7 G01S15/89 G01S7/52

According to International Patent Classification (IPC) or to both national classification and IPC

B. FIELDS SEARCHED

Minimum documentation searched (classification system followed by classification symbols)
 IPC 7 G01S A61B

Documentation searched other than minimum documentation to the extent that such documents are included in the fields searched

Electronic data base consulted during the international search (name of data base and, where practical, search terms used)

C. DOCUMENTS CONSIDERED TO BE RELEVANT

Category	Citation of document, with indication, where appropriate, of the relevant passages	Relevant to claim No.
A	US 5 105 817 A (UCHIBORI TAKANOBU ET AL) 21 April 1992 (1992-04-21) figure 3 * Summary of the Invention * column 7, line 38 - line 48 -----	1-16
A	US 5 513 640 A (YAMAZAKI NOBUO ET AL) 7 May 1996 (1996-05-07) column 4, line 15 - line 36 -----	1-16
A	US 5 357 965 A (HALL ANNE L ET AL) 25 October 1994 (1994-10-25) column 5, line 57 -column 9, line 34 -----	1-16

Further documents are listed in the continuation of box C. Patent family members are listed in annex.

Special categories of cited documents :

<p>"A" document defining the general state of the art which is not considered to be of particular relevance</p> <p>"E" earlier document but published on or after the international filing date</p> <p>"L" document which may throw doubts on priority claim(s) or which is cited to establish the publication date of another citation or other special reason (as specified)</p> <p>"O" document referring to an oral disclosure, use, exhibition or other means</p> <p>"P" document published prior to the international filing date but later than the priority date claimed</p>	<p>"T" later document published after the international filing date or priority date and not in conflict with the application but cited to understand the principle or theory underlying the invention</p> <p>"X" document of particular relevance: the claimed invention cannot be considered novel or cannot be considered to involve an inventive step when the document is taken alone</p> <p>"Y" document of particular relevance: the claimed invention cannot be considered to involve an inventive step when the document is combined with one or more other such documents, such combination being obvious to a person skilled in the art.</p> <p>"&" document member of the same patent family</p>
--	--

Date of the actual completion of the international search 28 April 2000	Date of mailing of the international search report 09/05/2000
---	---

Name and mailing address of the ISA European Patent Office, P.B. 5818 Patentlaan 2 NL - 2280 HV Rijswijk Tel. (+31-70) 340-2040, Tx. 31 651 epo nl, Fax: (+31-70) 340-3016	Authorized officer Ó Donnabháin, C
--	--

INTERNATIONAL SEARCH REPORT

Information on patent family members

International Application No

PCT/US 99/28919

Patent document cited in search report	Publication date	Patent family member(s)	Publication date
US 5105817 A	21-04-1992	JP 1310648 A	14-12-1989
US 5513640 A	07-05-1996	JP 8066397 A	12-03-1996
US 5357965 A	25-10-1994	NONE	