



US00D565220S

(12) **United States Design Patent**
Galli

(10) **Patent No.:** **US D565,220 S**

(45) **Date of Patent:** **** Mar. 25, 2008**

(54) **RIBBED FLASHLIGHT WITH FLARED HEAD**

Primary Examiner—Marcus A. Jackson
(74) *Attorney, Agent, or Firm*—Barlow, Josephs & Holmes, Ltd.

(76) Inventor: **Robert D. Galli**, 135 Circuit Dr., North Kingstown, RI (US) 02852

(57) **CLAIM**

(**) Term: **14 Years**

The ornamental design for a ribbed flashlight with flared head, as shown and described.

(21) Appl. No.: **29/297,168**

(22) Filed: **Nov. 6, 2007**

DESCRIPTION

(51) **LOC (8) Cl.** **26-02**

(52) **U.S. Cl.** **D26/49**

(58) **Field of Classification Search** D26/28–36;
362/157, 158, 171–174, 183–208
See application file for complete search history.

FIG. 1 is a perspective view showing my new design for a ribbed flashlight with flared head;
FIG. 2 is a bottom view thereof;
FIG. 3 is a top view thereof;
FIG. 4 is a right side view thereof;
FIG. 5 is a left side view thereof;
FIG. 6 is a back end view thereof; and,
FIG. 7 is a front end view thereof, all sides being the same.

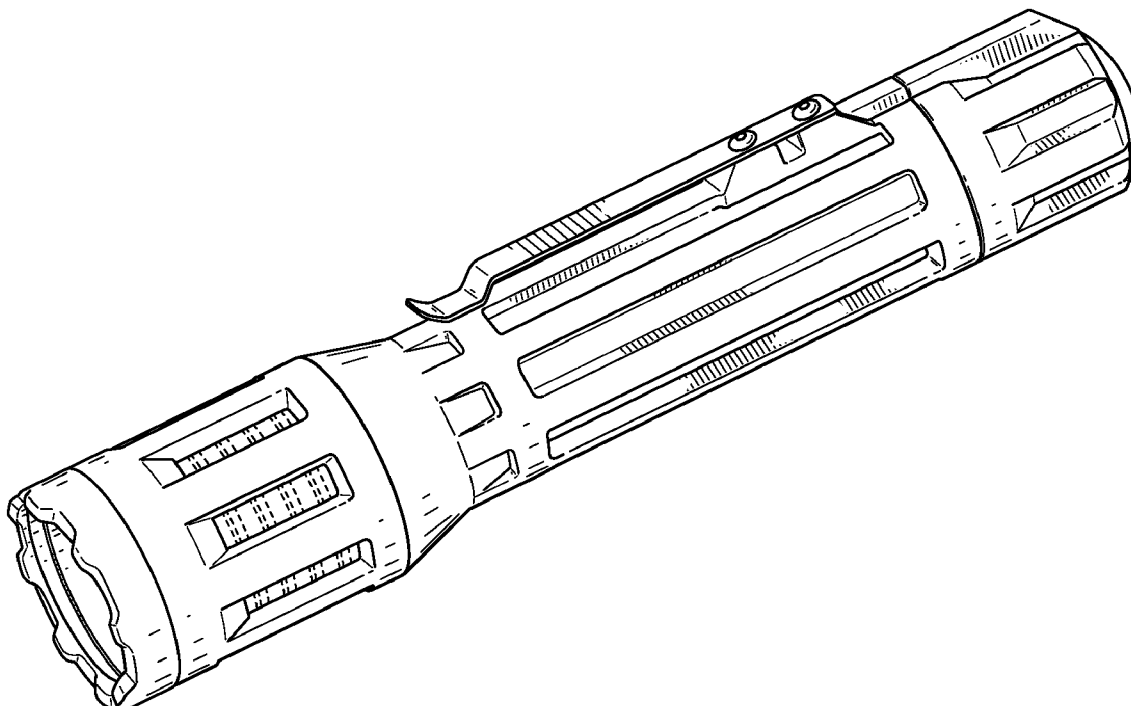
(56) **References Cited**

U.S. PATENT DOCUMENTS

D501,054 S *	1/2005	Galli	D26/37
D523,163 S *	6/2006	Man	D26/49
D546,492 S *	7/2007	Garrity	D26/49

* cited by examiner

1 Claim, 4 Drawing Sheets



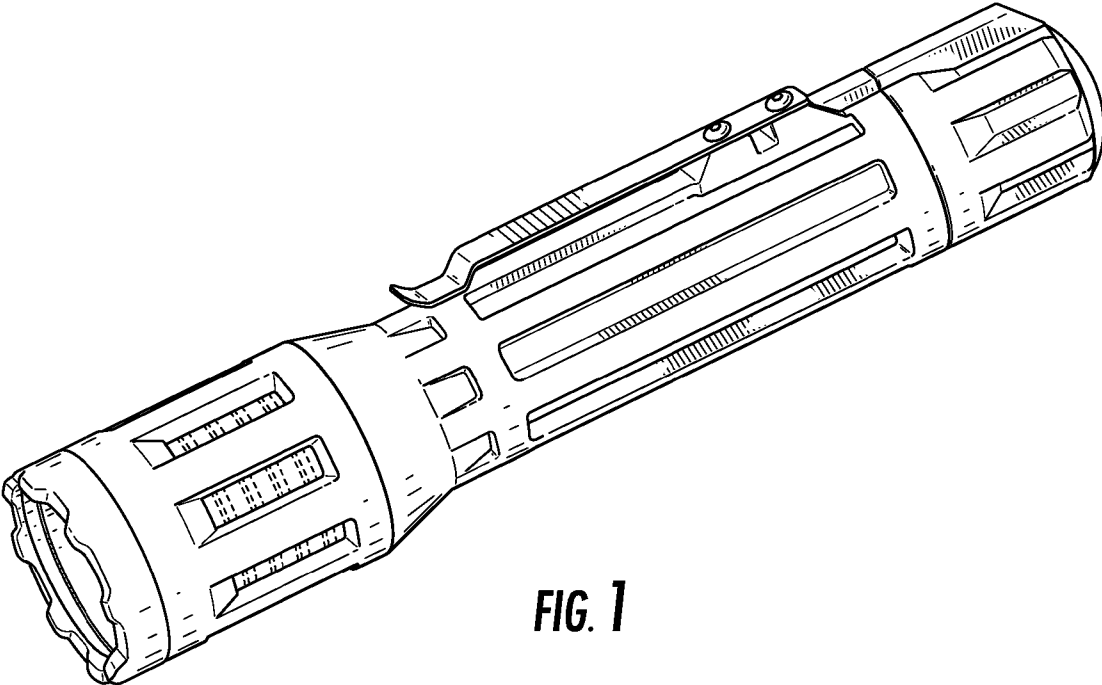


FIG. 1

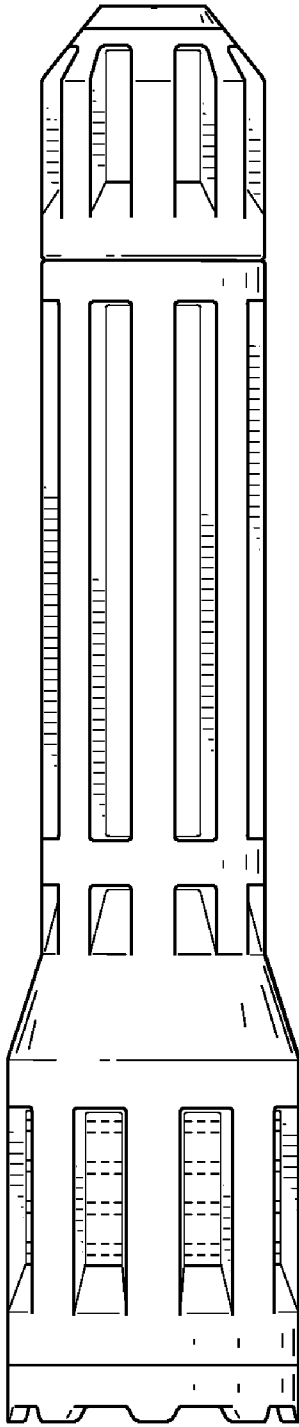


FIG. 2

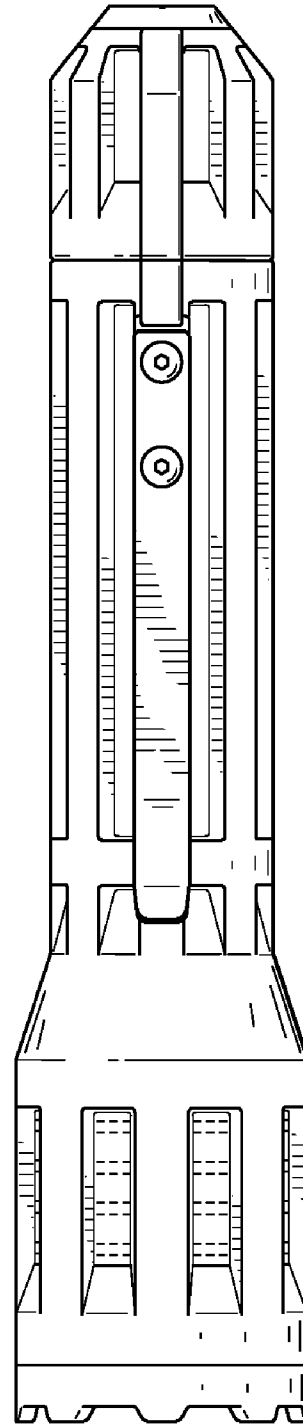


FIG. 3

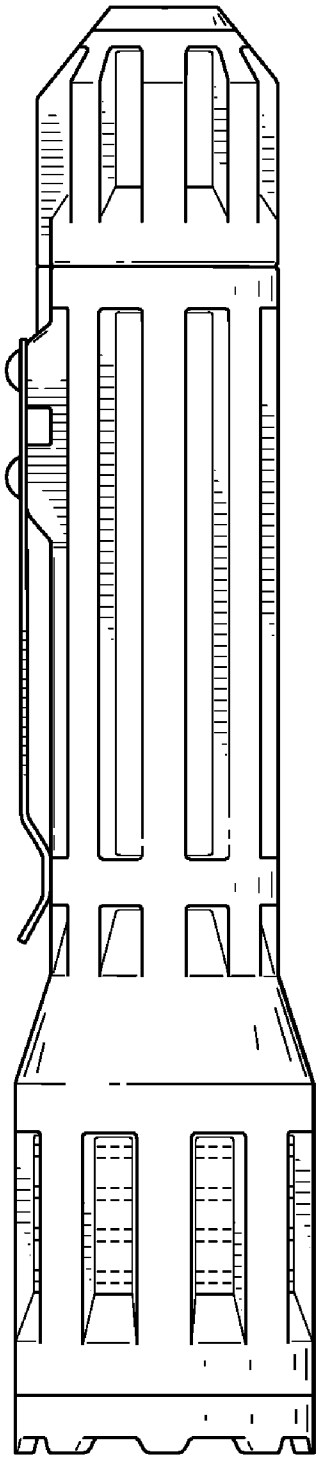


FIG. 4

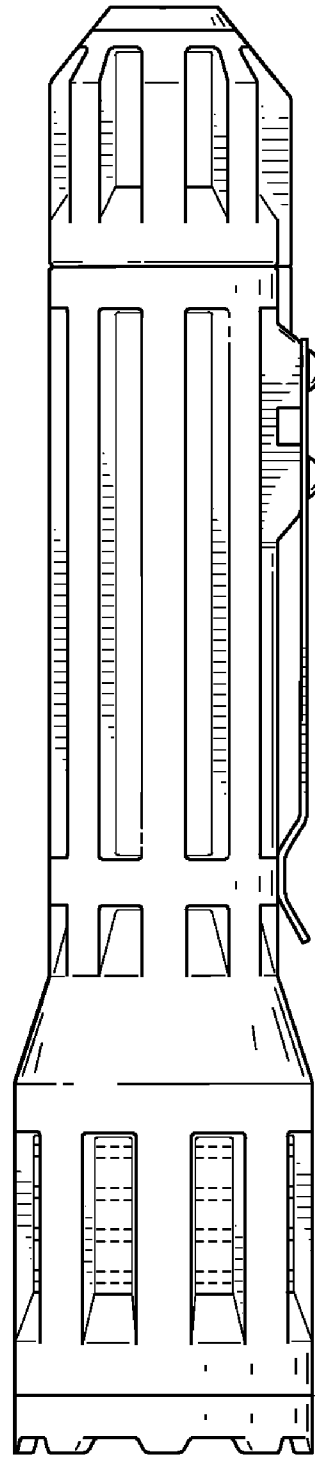


FIG. 5

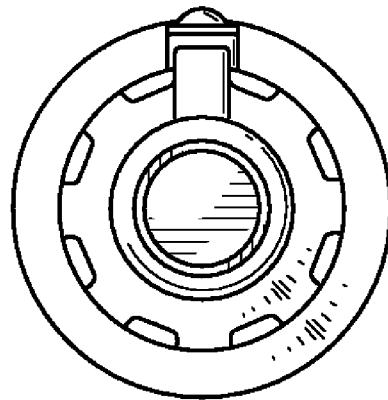


FIG. 6

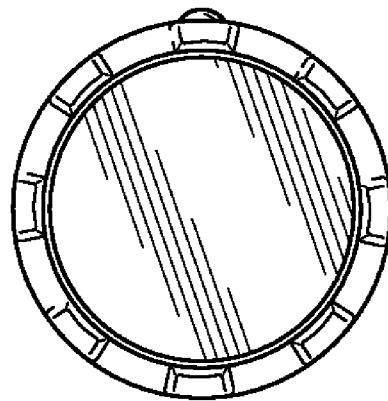


FIG. 7