



(51) International Patent Classification:  
B60N 2/66 (2006.01)

(21) International Application Number:  
PCT/US2013/066365

(22) International Filing Date:  
23 October 2013 (23.10.2013)

(25) Filing Language: English

(26) Publication Language: English

(30) Priority Data:  
61/717,412 23 October 2012 (23.10.2012) US

(71) Applicant: LEAR CORPORATION [US/US]; 21557  
Telegraph Road, Southfield, Michigan 48033 (US).

(72) Inventor; and

(71) Applicant : ZOUZAL, Winsen C. [US/US]; 15761 Mack  
Avenue, Detroit, Michigan 48224 (US).

(72) Inventors: GALBREATH, Ashford A.; 6462 Red Oak  
Dr., Troy, Michigan 48098 (US). ALL, Asad S.; 2168 Rad-  
cliffe Dr., Troy, Michigan 48085 (US). O' BANNON,  
Terry; 1825 Dallas Avenue, Royal Oak, Michikan 48067  
(US). LOCKE, Gerald S.; 829 Esther Dr., Lake Orion,  
Michigan 48362-1625 (US). BADGLEY, Jennifer; 1282  
Otter Ave., Waterford, Michigan 48328 (US). HICKS,  
Thomas S.; 14249 Ingram St., Livonia, Michigan 48154

(US). CICHOCKI, Walter T.; 8767 N. Christine Dr.,  
Brighton Township, Michigan 48114 (US). HARBAUGH,  
Richard L.; 10623 Fairlane Road, South Lyon, Michigan  
48178 (US).

(74) Agent: BOWLES, Erin K.; Brooks Kushman P.C., 1000  
Town Center, Twenty-Second Floor, Southfield, MI 48075  
(US).

(81) Designated States (unless otherwise indicated, for every  
kind of national protection available): AE, AG, AL, AM,  
AO, AT, AU, AZ, BA, BB, BG, BH, BN, BR, BW, BY,  
BZ, CA, CH, CL, CN, CO, CR, CU, CZ, DE, DK, DM,  
DO, DZ, EC, EE, EG, ES, FI, GB, GD, GE, GH, GM, GT,  
HN, HR, HU, ID, IL, IN, IR, IS, JP, KE, KG, KN, KP, KR,  
KZ, LA, LC, LK, LR, LS, LT, LU, LY, MA, MD, ME,  
MG, MK, MN, MW, MX, MY, MZ, NA, NG, NI, NO, NZ,  
OM, PA, PE, PG, PH, PL, PT, QA, RO, RS, RU, RW, SA,  
SC, SD, SE, SG, SK, SL, SM, ST, SV, SY, TH, TJ, TM,  
TN, TR, TT, TZ, UA, UG, US, UZ, VC, VN, ZA, ZM,  
ZW.

(84) Designated States (unless otherwise indicated, for every  
kind of regional protection available): ARIPO (BW, GH,  
GM, KE, LR, LS, MW, MZ, NA, RW, SD, SL, SZ, TZ,  
UG, ZM, ZW), Eurasian (AM, AZ, BY, KG, KZ, RU, TJ,  
TM), European (AL, AT, BE, BG, CH, CY, CZ, DE, DK,  
EE, ES, FI, FR, GB, GR, HR, HU, IE, IS, IT, LT, LU, LV,  
MC, MK, MT, NL, NO, PL, PT, RO, RS, SE, SI, SK, SM,

[Continued on next page]

(54) Title: THORACIC REGION COMFORT SEATING SYSTEM

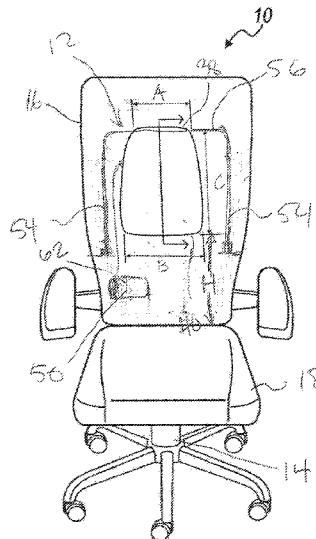
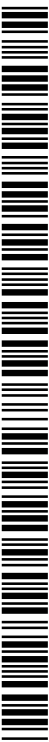


FIG. 1

(57) Abstract: A thoracic support for a seat back of a seat is provided. The thoracic support structure is pivotally attached to the seat back and pivots between a first position and a second position. In the second position the support structure supports at least a portion of the thoracic region of the user's spine. An actuator disposed between a support surface and the support structure pivots the support structure from the first position to the second position upon actuation.



TR), OAPI (BF, BJ, CF, CG, CI, CM, GA, GN, GQ, GW, KM, ML, MR, NE, SN, TD, TG). **Published:**

— *with international search report (Art. 21(3))*

**Declarations under Rule 4.17:**

- *as to applicant's entitlement to apply for and be granted a patent (Rule 4.17(ii))*
- *as to the applicant's entitlement to claim the priority of the earlier application (Rule 4.17(iii))*

**(88) Date of publication of the international search report:**

19 November 2015

**INTERNATIONAL SEARCH REPORT**

International application No.

PCT/US13/66365

<p><b>A. CLASSIFICATION OF SUBJECT MATTER</b>                  IPC(8) - B60N 2/66 (2014.01)                  USPC - 297/284.6                  According to International Patent Classification (IPC) or to both national classification and IPC</p>																										
<p><b>B. FIELDS SEARCHED</b></p> <p>Minimum documentation searched (classification system followed by classification symbols)                  IPC(8) Classification(s): A47C 4/54, 7/46; B60N 2/44, 2/64, 2/66 (2014.01)                  USPC Classification(s): 297/216.14, 284.1, 284.2, 284.4, 284.6, 284.7</p> <p>Documentation searched other than minimum documentation to the extent that such documents are included in the fields searched</p> <p>Electronic data base consulted during the international search (name of data base and, where practicable, search terms used)                  MicroPatent (US-G, US-A, EP-A, EP-B, WO, JP-bib, DE-C,B, DE-A, DE-T, DE-U, GB-A, FR-A); ProQuest (Derwent, INSPEC, NTIS, PASCAL, Current Contents Search, Dissertation Abstract Online, Inside Conference); IEEE/IEEE Xplore; Google/Google Scholar;                  Keywords: seat*, chair*, office*1chair*, seatback, seat*1back*, chair*1back*, thoracic, thoraces, upper*1trunk*, thoracic*1vertebrae*, Support*, Backing*, first, primary, Second*, Actuator*, Pneumatic*1acutator*, Bladder*, Inflat*1bladder*, Pump*, Spine*, Vertebrae*</p>																										
<p><b>C. DOCUMENTS CONSIDERED TO BE RELEVANT</b></p> <table border="1"> <thead> <tr> <th>Category*</th> <th>Citation of document, with indication, where appropriate, of the relevant passages</th> <th>Relevant to claim No.</th> </tr> </thead> <tbody> <tr> <td>X</td> <td>US 6,530,622 B1 (EKERN, DF, et al.) March 11, 2003; figures 3, 5-7; column 1, lines 15-20;</td> <td>1-6, 10-15, 18, and 19</td> </tr> <tr> <td>---</td> <td>column 3, lines 10-15 and lines 30-35; column 4, lines 60-65; column 5, lines 1-5; column 6,</td> <td>---</td> </tr> <tr> <td>Y</td> <td>lines 5-35 and lines 55-67; column 7, lines 5-10 and lines 30-45</td> <td>7-9, 16, 17, and 20</td> </tr> <tr> <td>Y</td> <td>US 2004/0194877 A1 (GUPTA, V et al.) October 7, 2004; paragraphs [0004], [0014], [0028]</td> <td>7</td> </tr> <tr> <td>Y</td> <td>US 6,203,105 B1 (RHODES, RD) March 20, 2001; figure 1; column 2, lines 5-15; column 3, lines 15-25; column 5, lines 30-35, lines 40-50; column 8, lines 55-65</td> <td>8, 9, 16, 17, 20</td> </tr> <tr> <td>A</td> <td>US 2006/0103204 A1 (WALKER, BM et al.) May 18, 2006; entire document</td> <td>1-20</td> </tr> <tr> <td>A</td> <td>US 2009/0243347 A1 (WILMS, M) October 1, 2009; entire document</td> <td>1-20</td> </tr> </tbody> </table>			Category*	Citation of document, with indication, where appropriate, of the relevant passages	Relevant to claim No.	X	US 6,530,622 B1 (EKERN, DF, et al.) March 11, 2003; figures 3, 5-7; column 1, lines 15-20;	1-6, 10-15, 18, and 19	---	column 3, lines 10-15 and lines 30-35; column 4, lines 60-65; column 5, lines 1-5; column 6,	---	Y	lines 5-35 and lines 55-67; column 7, lines 5-10 and lines 30-45	7-9, 16, 17, and 20	Y	US 2004/0194877 A1 (GUPTA, V et al.) October 7, 2004; paragraphs [0004], [0014], [0028]	7	Y	US 6,203,105 B1 (RHODES, RD) March 20, 2001; figure 1; column 2, lines 5-15; column 3, lines 15-25; column 5, lines 30-35, lines 40-50; column 8, lines 55-65	8, 9, 16, 17, 20	A	US 2006/0103204 A1 (WALKER, BM et al.) May 18, 2006; entire document	1-20	A	US 2009/0243347 A1 (WILMS, M) October 1, 2009; entire document	1-20
Category*	Citation of document, with indication, where appropriate, of the relevant passages	Relevant to claim No.																								
X	US 6,530,622 B1 (EKERN, DF, et al.) March 11, 2003; figures 3, 5-7; column 1, lines 15-20;	1-6, 10-15, 18, and 19																								
---	column 3, lines 10-15 and lines 30-35; column 4, lines 60-65; column 5, lines 1-5; column 6,	---																								
Y	lines 5-35 and lines 55-67; column 7, lines 5-10 and lines 30-45	7-9, 16, 17, and 20																								
Y	US 2004/0194877 A1 (GUPTA, V et al.) October 7, 2004; paragraphs [0004], [0014], [0028]	7																								
Y	US 6,203,105 B1 (RHODES, RD) March 20, 2001; figure 1; column 2, lines 5-15; column 3, lines 15-25; column 5, lines 30-35, lines 40-50; column 8, lines 55-65	8, 9, 16, 17, 20																								
A	US 2006/0103204 A1 (WALKER, BM et al.) May 18, 2006; entire document	1-20																								
A	US 2009/0243347 A1 (WILMS, M) October 1, 2009; entire document	1-20																								
<p><input type="checkbox"/> Further documents are listed in the continuation of Box C. <input type="checkbox"/></p>																										
<p>* Special categories of cited documents:</p> <table border="0"> <tr> <td>"A" document defining the general state of the art which is not considered to be of particular relevance</td> <td>"T" later document published after the international filing date or priority date and not in conflict with the application but cited to understand the principle or theory underlying the invention</td> </tr> <tr> <td>"E" earlier application or patent but published on or after the international filing date</td> <td>"X" document of particular relevance; the claimed invention cannot be considered novel or cannot be considered to involve an inventive step when the document is taken alone</td> </tr> <tr> <td>"L" document which may throw doubts on priority claim(s) or which is cited to establish the publication date of another citation or other special reason (as specified)</td> <td>"Y" document of particular relevance; the claimed invention cannot be considered to involve an inventive step when the document is combined with one or more other such documents, such combination being obvious to a person skilled in the art</td> </tr> <tr> <td>"O" document referring to an oral disclosure, use, exhibition or other means</td> <td>"&amp;" document member of the same patent family</td> </tr> <tr> <td>"P" document published prior to the international filing date but later than the priority date claimed</td> <td></td> </tr> </table>			"A" document defining the general state of the art which is not considered to be of particular relevance	"T" later document published after the international filing date or priority date and not in conflict with the application but cited to understand the principle or theory underlying the invention	"E" earlier application or patent but published on or after the international filing date	"X" document of particular relevance; the claimed invention cannot be considered novel or cannot be considered to involve an inventive step when the document is taken alone	"L" document which may throw doubts on priority claim(s) or which is cited to establish the publication date of another citation or other special reason (as specified)	"Y" document of particular relevance; the claimed invention cannot be considered to involve an inventive step when the document is combined with one or more other such documents, such combination being obvious to a person skilled in the art	"O" document referring to an oral disclosure, use, exhibition or other means	"&" document member of the same patent family	"P" document published prior to the international filing date but later than the priority date claimed															
"A" document defining the general state of the art which is not considered to be of particular relevance	"T" later document published after the international filing date or priority date and not in conflict with the application but cited to understand the principle or theory underlying the invention																									
"E" earlier application or patent but published on or after the international filing date	"X" document of particular relevance; the claimed invention cannot be considered novel or cannot be considered to involve an inventive step when the document is taken alone																									
"L" document which may throw doubts on priority claim(s) or which is cited to establish the publication date of another citation or other special reason (as specified)	"Y" document of particular relevance; the claimed invention cannot be considered to involve an inventive step when the document is combined with one or more other such documents, such combination being obvious to a person skilled in the art																									
"O" document referring to an oral disclosure, use, exhibition or other means	"&" document member of the same patent family																									
"P" document published prior to the international filing date but later than the priority date claimed																										
<p>Date of the actual completion of the international search                  28 February 2014 (28.02.2012)</p>		<p>Date of mailing of the international search report                  20 MAR 2014</p>																								
<p>Name and mailing address of the ISA/US                  Mail Stop PCT, Attn: ISA/US, Commissioner for Patents                  P.O. Box 1450, Alexandria, Virginia 22313-1450                  Facsimile No. 571-273-3201</p>		<p>Authorized officer:                  Shane Thomas                  PCT Helpdesk: 571-272-4300                  PCT OSP: 571-272-7774</p>																								