



(12) **United States Design Patent**
Coutts et al.

(10) **Patent No.:** **US D596,456 S**
(45) **Date of Patent:** **** Jul. 21, 2009**

- (54) **HANDLE FOR A UTENSIL**
- (75) Inventors: **John G. Coutts**, Sylvania, OH (US);
Lucie L. Wellner, Pompey, NY (US)
- (73) Assignee: **World Tableware Inc.**, Toledo, OH (US)
- (**) Term: **14 Years**
- (21) Appl. No.: **29/310,471**
- (22) Filed: **Aug. 20, 2008**
- (51) **LOC (9) Cl.** **07-03**
- (52) **U.S. Cl.** **D7/401.2**
- (58) **Field of Classification Search** D7/368,
D7/395, 401.2, 642-646, 649-654, 660-669,
D8/675-676, 683, 688-692, 695-696; D8/107,
D8/300, 307, 317; 30/137, 141-143, 147-150,
30/322-327, 329, 340, 342-346; 76/104.1;
416/70 R
See application file for complete search history.

- (56) **References Cited**
U.S. PATENT DOCUMENTS
666,012 A * 1/1901 Hirsch 76/104.1
(Continued)
Primary Examiner—Caron Veynar
Assistant Examiner—Ricky Pham
(74) *Attorney, Agent, or Firm*—MacMillan, Sobanski &
Todd, LLC

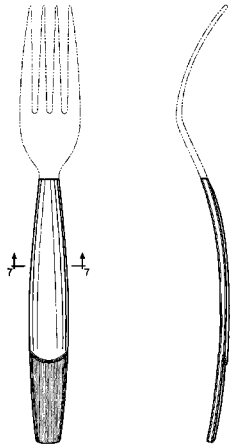
(57) **CLAIM**
The ornamental design for a handle for a utensil, as shown and described.

DESCRIPTION
FIG. 1 is a top plan view of a handle for a utensil according to the design;
FIG. 2 is a right side elevational view thereof;
FIG. 3 is a bottom plan view thereof;
FIG. 4 is a left side elevational view thereof;

FIG. 5 is a first end elevational view thereof;
FIG. 6 is a second end elevational view thereof;
FIG. 7 is an enlarged cross-sectional view taken along line 7—7 of FIG. 1;
FIG. 8 is a top plan view of an alternative embodiment handle for a utensil according to the design;
FIG. 9 is a right side elevational view thereof;
FIG. 10 is a bottom plan view thereof;
FIG. 11 is a left side elevational view thereof;
FIG. 12 is a first end elevational view thereof;
FIG. 13 is a second end elevational view thereof;
FIG. 14 is an enlarged cross-sectional view taken along line 14—14 of FIG. 8;
FIG. 15 is a top view of the utensil handle in FIGS. 1-7 shown on a spoon;
FIG. 16 is a right side elevational view thereof;
FIG. 17 is a bottom plan view thereof;
FIG. 18 is a left side elevational view thereof;
FIG. 19 is a first end elevational view thereof;
FIG. 20 is a second end elevational view thereof;
FIG. 21 is an enlarged cross-sectional view taken along line 21—21 of FIG. 15;
FIG. 22 is a top plan view of an alternative embodiment handle for a utensil according to the design;
FIG. 23 is a right side elevational view thereof;
FIG. 24 is a bottom plan view thereof;
FIG. 25 is a left side elevational view thereof;
FIG. 26 is a first end elevational view thereof;
FIG. 27 is a second end elevational view thereof; and,
FIG. 28 is an enlarged cross-sectional view taken along line 28—28 of FIG. 22.

The broken lines shown in FIGS. 1-4, 8-11, 15-18 and 22-25 are illustrative of environmental structure only and form no part of the claimed design.

1 Claim, 12 Drawing Sheets



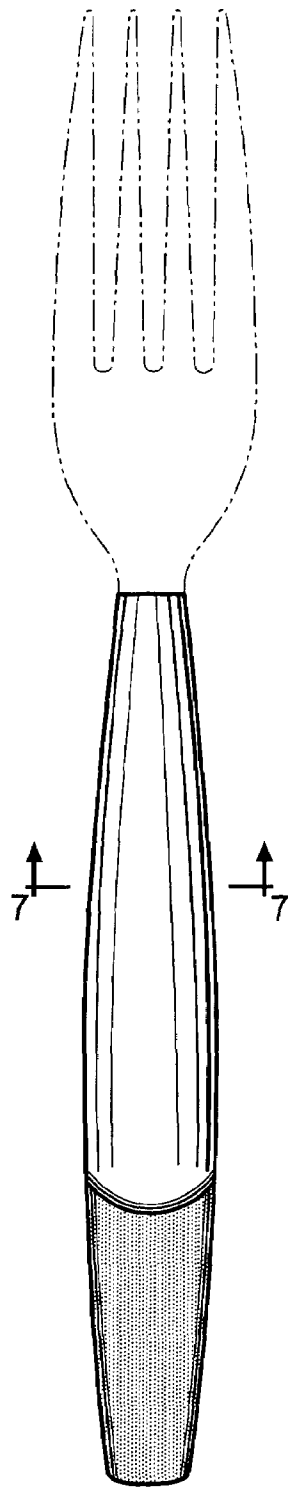
US D596,456 S

Page 2

U.S. PATENT DOCUMENTS

D153,616 S *	5/1949	Mercer	D7/664	D431,759 S *	10/2000	Junko	D7/653
D179,281 S *	11/1956	Conroy	D7/664	D434,274 S *	11/2000	Kerman	D7/401.2
D407,611 S *	4/1999	Shane-Schuldt	D7/653	D434,281 S *	11/2000	Guodace	D7/645
D408,217 S *	4/1999	LoGiudice	D7/401.2	D454,284 S *	3/2002	Junko	D7/653
D414,986 S *	10/1999	Mulhauser et al.	D7/401.2	D555,432 S *	11/2007	Gartz et al.	D7/653

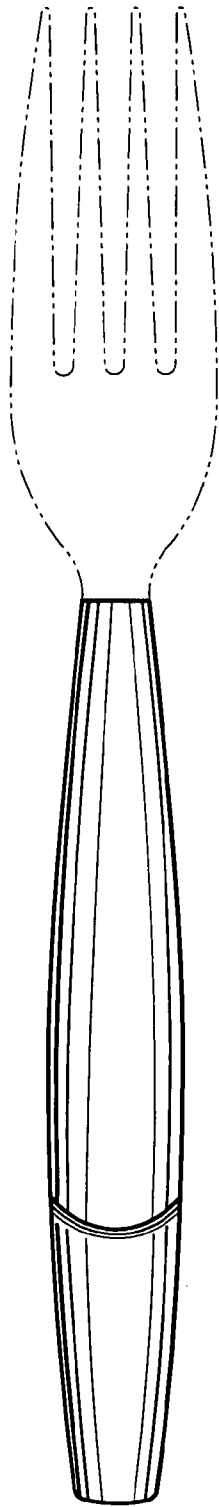
* cited by examiner



—FIG. 1



—FIG. 2



—FIG. 3



—FIG. 4



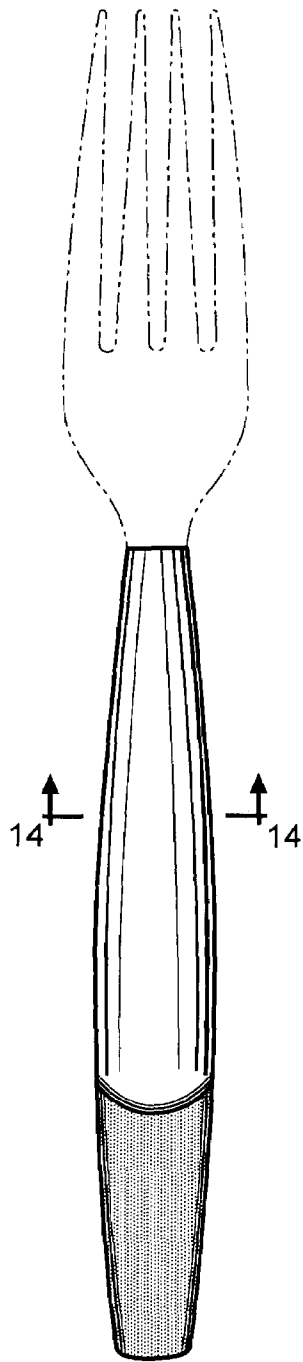
—FIG. 5



—FIG. 6



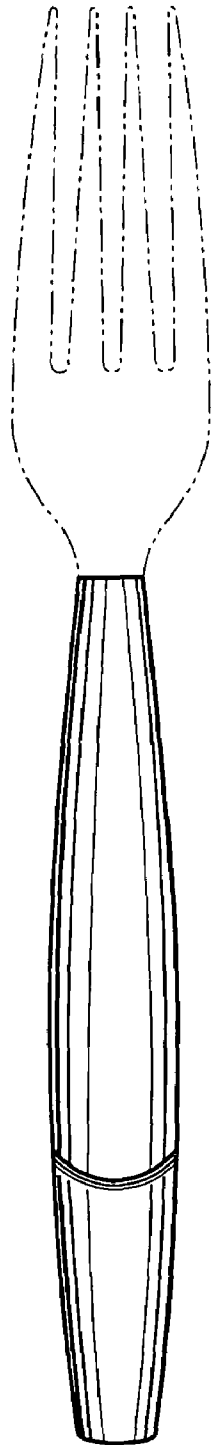
—FIG. 7



—FIG. 8



—FIG. 9



—FIG. 10



—FIG. 11



—FIG. 12



—FIG. 13



—FIG. 14

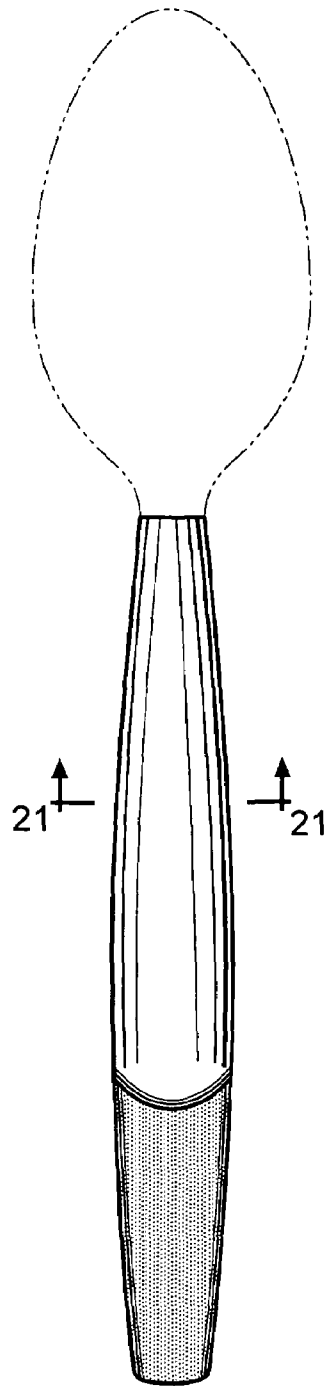


FIG. 15

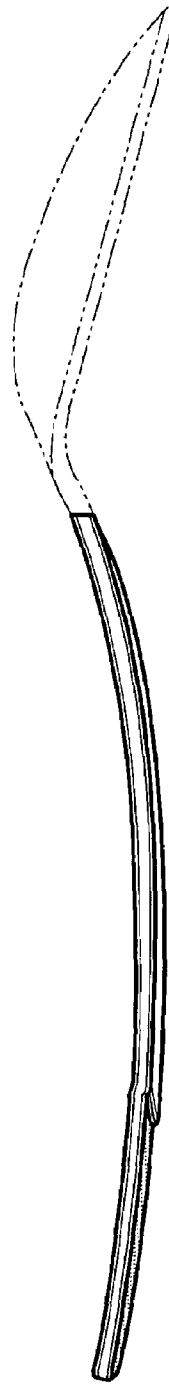
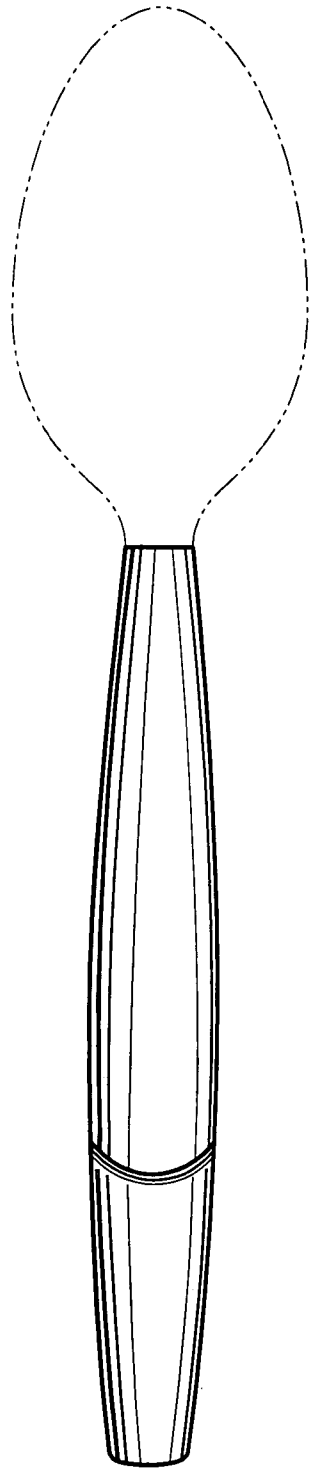
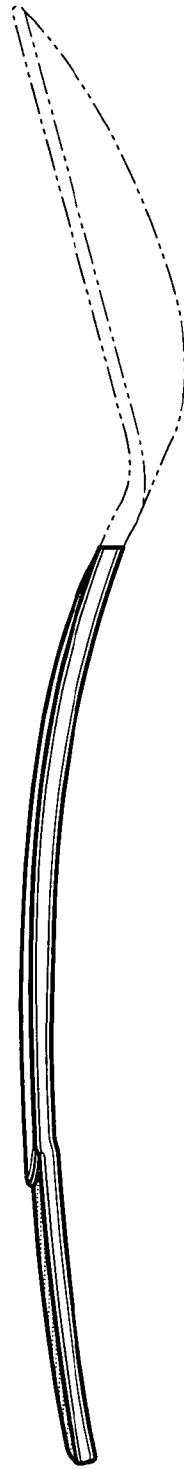


FIG. 16



—FIG. 17



—FIG. 18



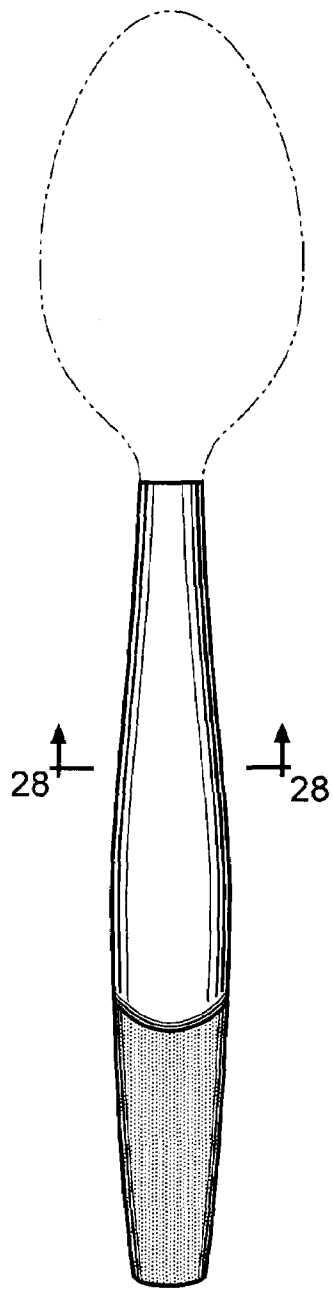
—FIG. 19



—FIG. 20

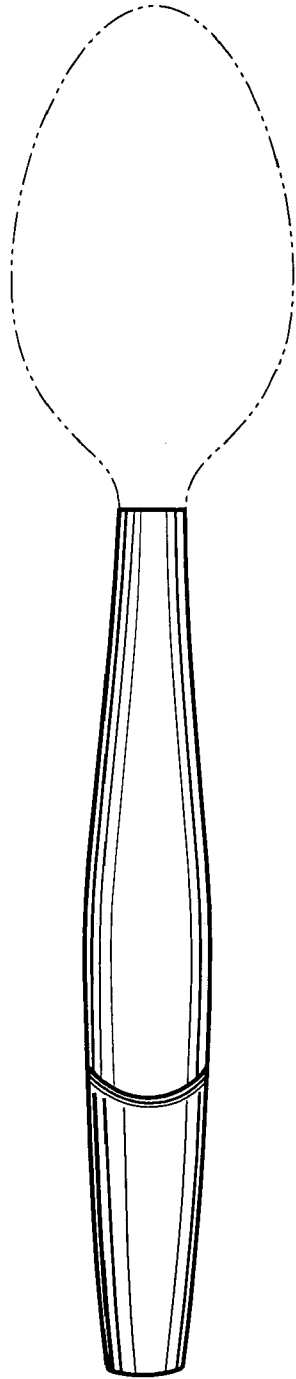


—FIG. 21

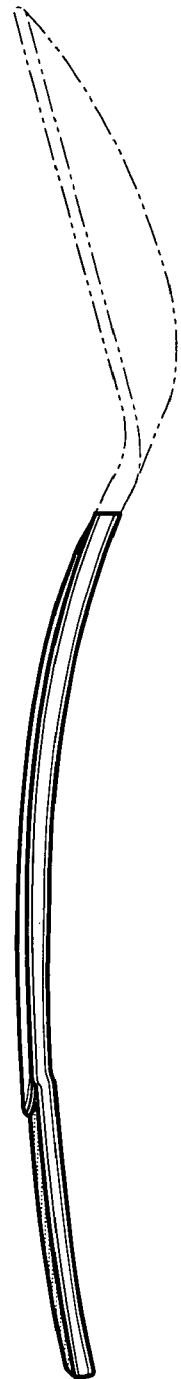


—FIG. 22

—FIG. 23



—FIG. 24



—FIG. 25



—FIG. 26



—FIG. 27



—FIG. 28