



US00D766833S

(12) **United States Design Patent** (10) **Patent No.:** **US D766,833 S**
Plassiard et al. (45) **Date of Patent:** **** Sep. 20, 2016**

(54) **TERMINAL BLOCK**

(71) Applicant: **Schneider Electric Industries SAS**,
Rueil-Malmaison (FR)

(72) Inventors: **Sylvain Plassiard**, La Chapelle de la
Tour (FR); **Hervé Hue**, Eybens (FR);
Marie-Hélène Labruyere, Grenoble
(FR); **Thierry Chapot**, Vauchamps
(FR)

(73) Assignee: **Schneider Electric Industries SAS**,
Rueil Malmaison (FR)

(**) Term: **14 Years**

(21) Appl. No.: **29/475,832**

(22) Filed: **Dec. 6, 2013**

(30) **Foreign Application Priority Data**

Jul. 4, 2013 (EM) 002268748-0004

(51) **LOC (10) Cl.** **13-03**

(52) **U.S. Cl.**

USPC **D13/154**

(58) **Field of Classification Search**

USPC D13/133, 147, 154, 158, 160, 162, 184,
D13/199; 439/43, 49, 93, 94, 110, 382, 431,
439/442, 865, 869, 874, 877, 883, 884

CPC H01R 9/24; H01R 13/52; H01R 25/003

See application file for complete search history.

(56) **References Cited**

U.S. PATENT DOCUMENTS

D340,226	S	*	10/1993	Sachs	D13/154
D587,100	S	*	2/2009	Allsopp	D8/356
D631,846	S	*	2/2011	Truskett	D13/120
D645,409	S	*	9/2011	Lam	D13/154
D673,843	S	*	1/2013	Wall	D8/380
D673,845	S	*	1/2013	Wall	D8/380
D688,630	S	*	8/2013	Chapman	D13/154
D714,228	S	*	9/2014	Valivainio et al.	D13/158

* cited by examiner

Primary Examiner — Eric Goodman

Assistant Examiner — Sanjeev Paul

(74) *Attorney, Agent, or Firm* — Steptoe & Johnson LLP

(57) **CLAIM**

The ornamental design for a terminal block, as shown and described herein.

DESCRIPTION

FIG. 1 is a front, left side perspective view of the terminal block showing our new design;

FIG. 2 is a front elevation view thereof;

FIG. 3 is a rear elevation view thereof;

FIG. 4 is a top plan elevation view thereof;

FIG. 5 is a bottom plan view thereof;

FIG. 6 is a right elevation view thereof; and,

FIG. 7 is a left elevation view thereof.

1 Claim, 4 Drawing Sheets

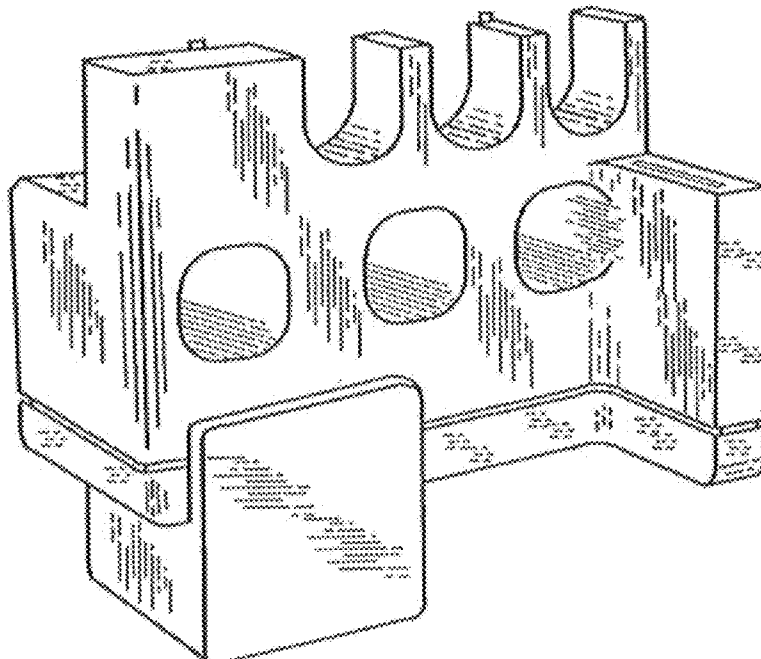


FIG. 1

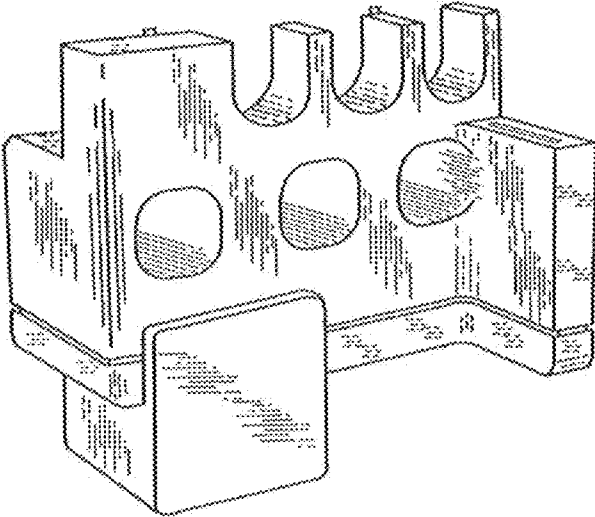


FIG. 2

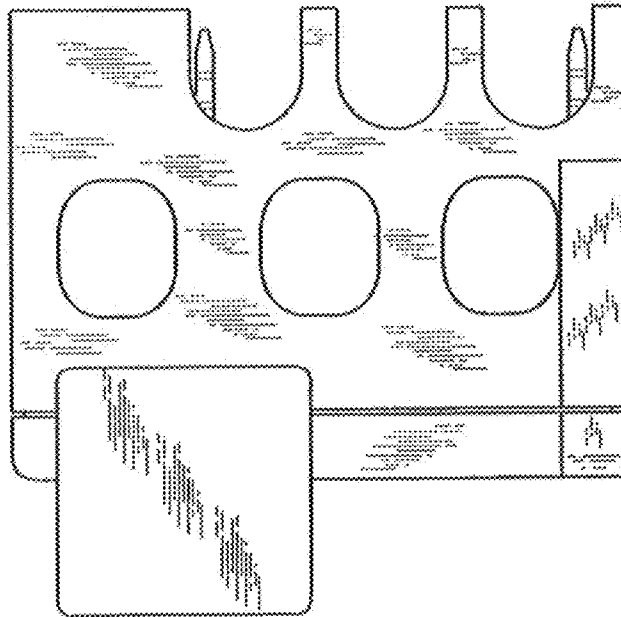


FIG. 3

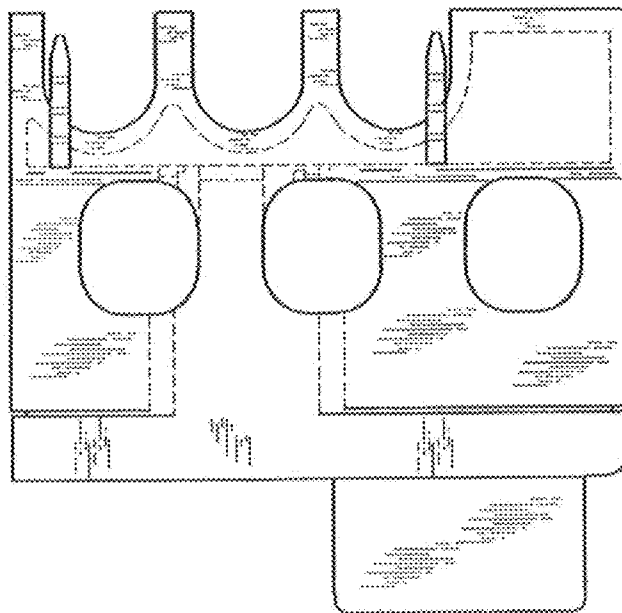


FIG. 4

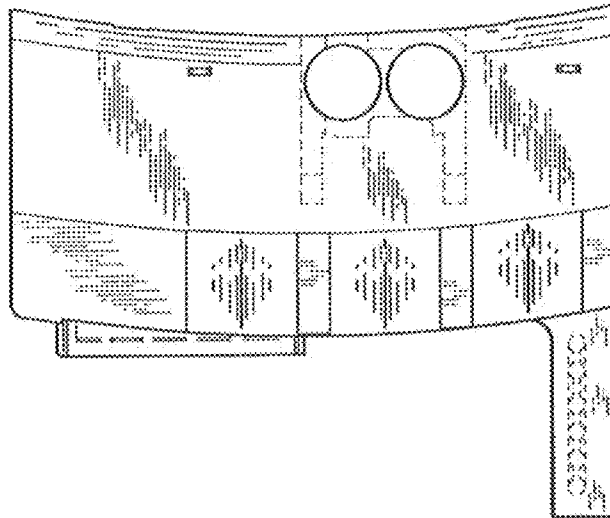


FIG. 5

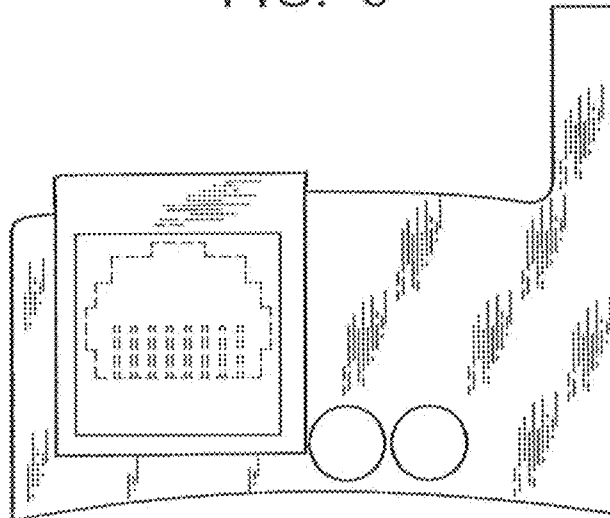


FIG. 6

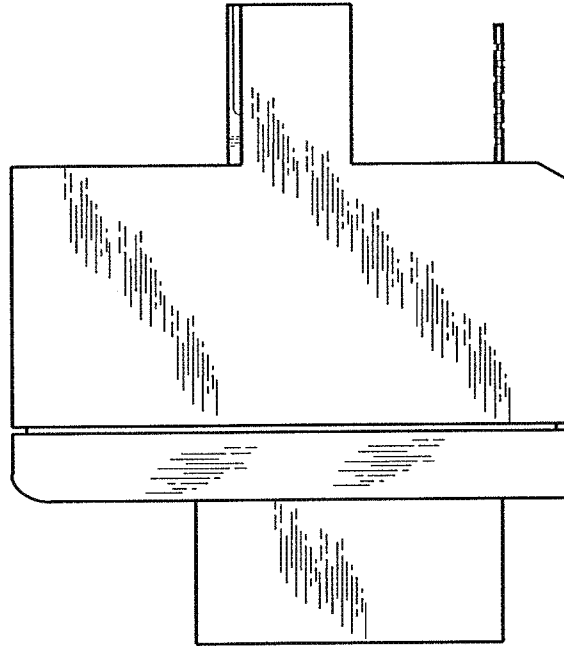


FIG. 7

