



US00D747825S

(12) **United States Design Patent**
Reynolds

(10) **Patent No.:** **US D747,825 S**

(45) **Date of Patent:** **** Jan. 19, 2016**

- (54) **HORTICULTURE GROW LIGHT FIXTURE**
- (71) Applicant: **IP Holdings, LLC**, Vancouver, WA (US)
- (72) Inventor: **Chris Reynolds**, Vancouver, WA (US)
- (73) Assignee: **IP Holdings, LLC**, Vancouver, WA (US)
- (**) Term: **14 Years**
- (21) Appl. No.: **29/526,561**
- (22) Filed: **May 11, 2015**

Related U.S. Application Data

- (62) Division of application No. 29/483,665, filed on Feb. 28, 2014, now Pat. No. Des. 732,233.
- (51) **LOC (10) Cl.** **26-99**
- (52) **U.S. Cl.**
USPC **D26/118**
- (58) **Field of Classification Search**
USPC D26/9, 10, 12, 13, 15, 16, 24, 51, 61, D26/72, 76, 80, 81, 85, 86, 88, 90, 113, 118, D26/119, 120, 122, 128, 129, 138, 143, 144, D26/5, 6, 11, 79, 114, 116, 131, 137, 121, D26/127, 135, 180; D13/180; D10/18, 21, D10/24, 25, 27, 28, 46, 93, 104.1, 113, 114, D10/116.1; D17/99
CPC B60Q 1/04; B60Q 1/26; F21S 8/026; F21S 8/04; F21V 29/004; F21V 21/02; F21V 21/04; F21V 29/2212; F21V 37/002; F21V 7/00; F21V 29/83; F21V 7/22; F21Y 2101/02; F21L 19/00; F23D 11/443; A61L 9/037

See application file for complete search history.

(56) **References Cited**

U.S. PATENT DOCUMENTS

D123,768 S 12/1940 Scribner
3,272,978 A 9/1966 Jackson

(Continued)

OTHER PUBLICATIONS

Agrotech Magnum Reflector, image post date Feb. 5, 2012, site visited Oct. 31, 2014, (online), <<http://www.hydroponics.net/i/136580>>.*

(Continued)

Primary Examiner — Kevin Rudzinski

Assistant Examiner — Sean D Lough

(74) *Attorney, Agent, or Firm* — J. Douglas Wells

(57) **CLAIM**

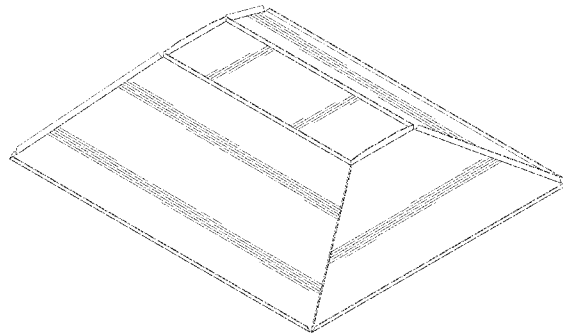
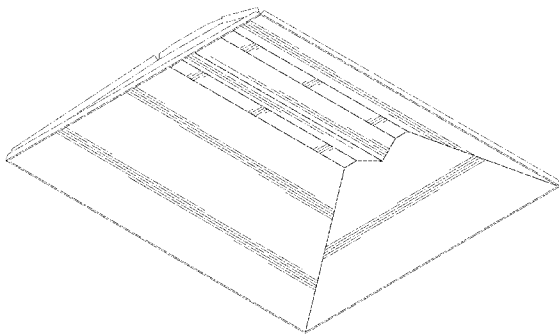
The ornamental design for a horticulture grow light fixture, as shown and described.

DESCRIPTION

FIG. 1 is a perspective view of the horticulture grow light fixture, as viewed from below, showing my new design; FIG. 2 is a perspective view of the light fixture shown in FIG. 1, as viewed from above; FIG. 3 is a left side view of the light fixture shown in FIG. 1; FIG. 4 is a right side view of the light fixture shown in FIG. 1; FIG. 5 is a front elevation view of the light fixture shown in FIG. 1; FIG. 6 is a rear elevation view of the light fixture shown in FIG. 1; FIG. 7 is a top plan view of the light fixture shown in FIG. 1; and, FIG. 8 is a bottom plan view of the light fixture shown in FIG. 1.

The broken-line disclosure shown in the views is understood to represent portions of the article in which the claimed design is embodied, but which form no part of the claimed design.

1 Claim, 6 Drawing Sheets



(56)

References Cited

U.S. PATENT DOCUMENTS

- 3,433,941 A * 3/1969 Hall F21V 7/09
362/294
- 3,701,898 A * 10/1972 McNamara, Jr. F21V 7/05
362/341
- 4,531,180 A 7/1985 Hernandez
D290,662 S * 7/1987 Basil D6/310
- D300,877 S * 4/1989 Cyr D26/118
- 4,933,821 A 6/1990 Anderson
D311,597 S 10/1990 Poot
6,024,468 A * 2/2000 Kassay F21S 8/06
362/217.05
- 6,152,579 A 11/2000 Reed et al.
D456,938 S 5/2002 Wardenburg
D459,825 S 7/2002 Field
D469,564 S 1/2003 Brok
6,527,422 B1 3/2003 Hutchison
6,595,662 B2 7/2003 Wardenburg
D499,505 S * 12/2004 Benensohn D26/89
- D542,460 S 5/2007 Hargreaves
D543,652 S 5/2007 Hargreaves
D543,654 S 5/2007 Hargreaves
D544,139 S 6/2007 Hargreaves
D544,626 S 6/2007 Hargreaves
D544,983 S 6/2007 Hargreaves
D544,984 S 6/2007 Hargreaves
D544,985 S 6/2007 Hargreaves
D544,987 S 6/2007 Hargreaves
D544,994 S 6/2007 Hargreaves
D544,995 S 6/2007 Hargreaves
D545,484 S 6/2007 Hargreaves
D545,994 S 7/2007 Hargreaves
7,524,090 B2 4/2009 Hargreaves
D603,087 S 10/2009 Mo et al.
7,641,367 B2 1/2010 Hargreaves et al.
D614,801 S 4/2010 Collins et al.
7,722,228 B2 * 5/2010 Broer A01G 9/26
362/264
- D634,060 S 3/2011 Wardenburg
D634,468 S 3/2011 Hargreaves
D634,469 S 3/2011 Hargreaves
D637,341 S * 5/2011 Wardenburg D26/118
- D637,752 S 5/2011 Mekhtarian
D640,404 S * 6/2011 Chipperfield D26/63
- 7,972,044 B2 7/2011 Burkhauser
8,209,912 B2 7/2012 Hargreaves et al.
- D671,259 S * 11/2012 Chen D26/135
- D675,369 S 1/2013 Michaud
D678,599 S 3/2013 Boyer et al.
D683,064 S 5/2013 Tuck
D689,238 S * 9/2013 Halsey D26/118
- D693,959 S * 11/2013 Boyer D26/118
- D698,986 S * 2/2014 Reynolds D26/118
- D698,987 S * 2/2014 Stanley D26/118
- 8,702,283 B2 * 4/2014 Bradley, Jr. F21V 7/0025
362/218
- D720,505 S * 12/2014 Kersten D30/121
- D722,654 S * 2/2015 Martone D21/472
- D725,819 S * 3/2015 Reynolds D26/118
- D731,701 S * 6/2015 Hargreaves D26/118
- D732,235 S * 6/2015 Reynolds D26/118
- D732,236 S * 6/2015 Reynolds D26/118
- 2008/0205030 A1 8/2008 Hargreaves
2008/0205071 A1 8/2008 Townsley
2008/0278950 A1 11/2008 Pickard et al.
2009/0262540 A1 10/2009 Hargreaves et al.
2009/0310373 A1 * 12/2009 Burkhauser A01G 9/26
362/373
- 2013/0083539 A1 * 4/2013 Dimitriadis F21V 7/00
362/297

OTHER PUBLICATIONS

NPL date for Agrotech Magnum Reflector from Wayback Machine, image post date Oct. 31, 2014, site visited Oct. 31, 2014, (online), <http://web.archive.org/web/*/http://www.hydroponics.net/i/136580>.*

Cree CR22, image post date Apr. 28, 2011, site visited Nov. 15, 2014, (online), <<http://www.ledsmagazine.com/content/dam/leds/migrated/objects/news/8/4/19/Cree204272011.jpg>>.*

NPL date for Cree CR22, image post date Apr. 28, 2011, site visited Nov. 15, 2014, (online), <<http://www.ledsmagazine.com/articles/2011/04/cree-delivers-led-alternative-to-linear-fluorescent-fixtures.html>>.*

ZR Series High Efficacy Troffer, image post date Apr. 13, 2012, site visited Oct. 31, 2014, (online), <<http://www.cree.com/Lighting/Products>>.*

NPL date for ZR Series High Efficacy Troffer from Wayback Machine, image post date Oct. 31, 2014, site visited Oct. 31, 2014, (online), <http://web.archive.org/web/20120415000000*/http://www.cree.com/Lighting/Products>.*

* cited by examiner

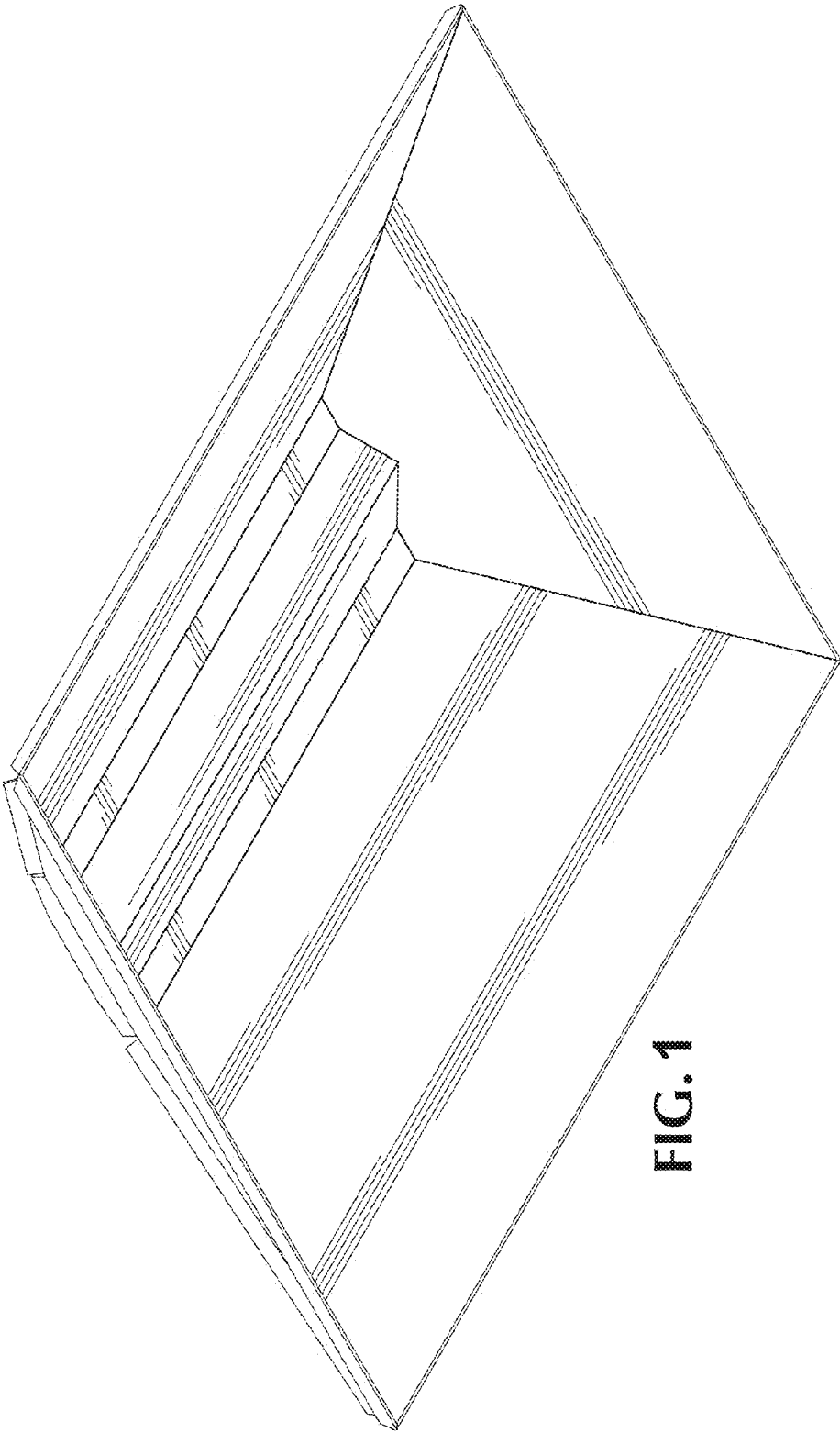


FIG.1

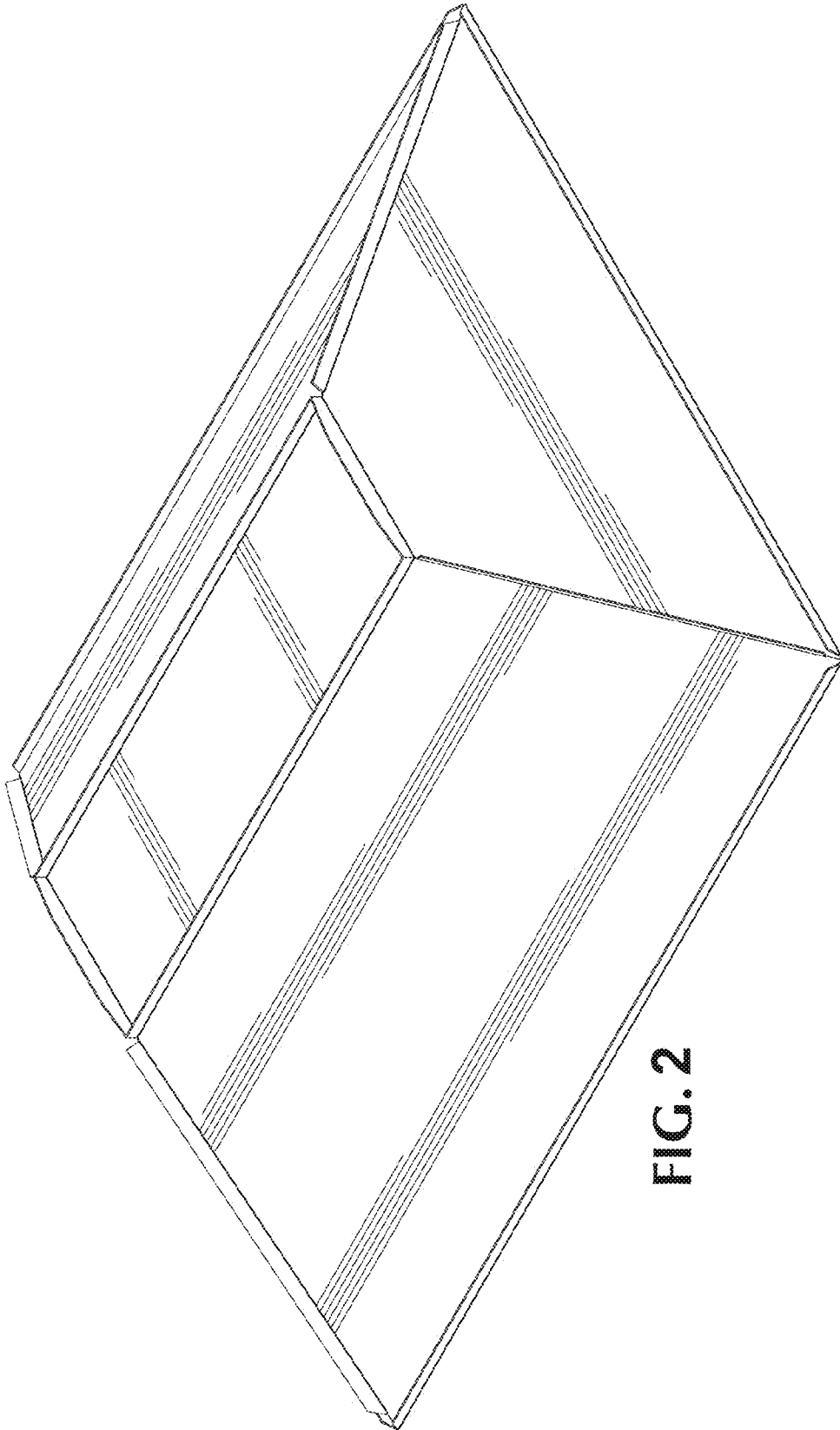


FIG. 2

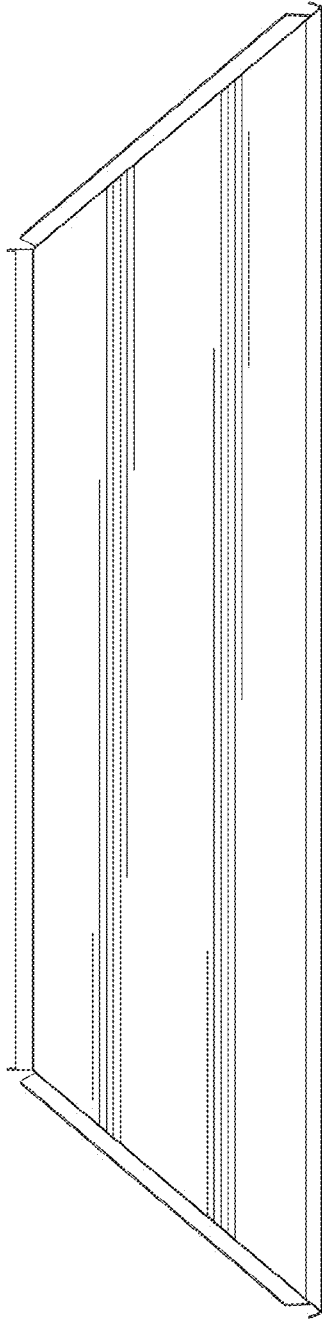


FIG. 3

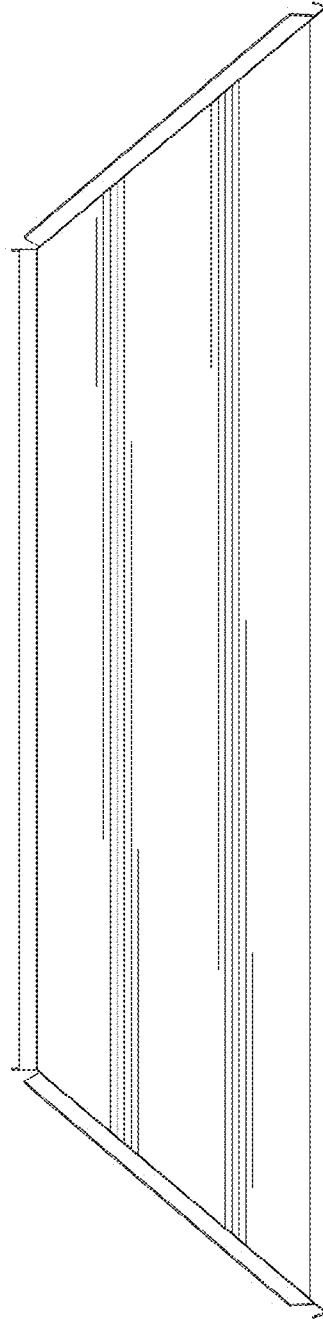


FIG. 4

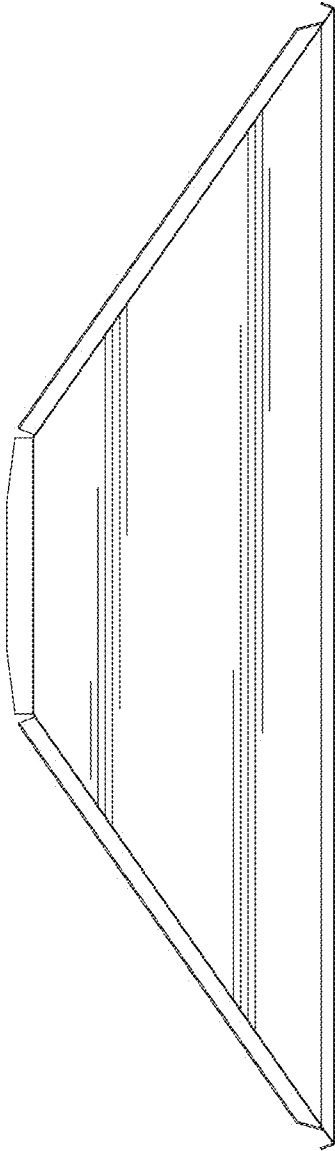


FIG. 5

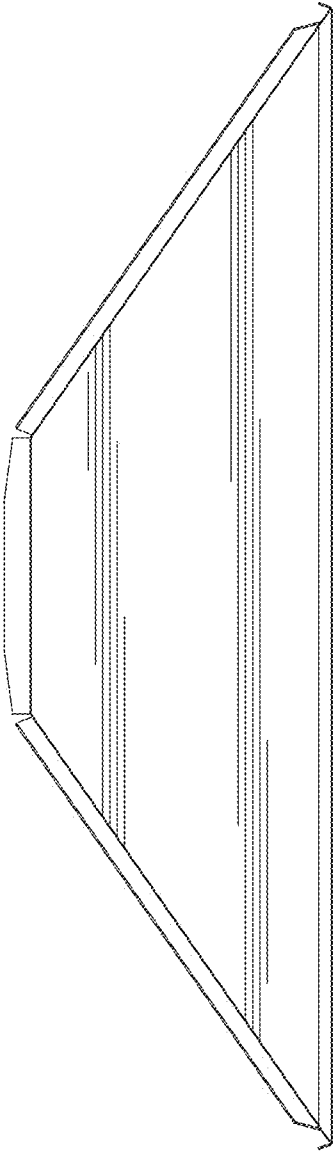


FIG. 6

FIG. 7

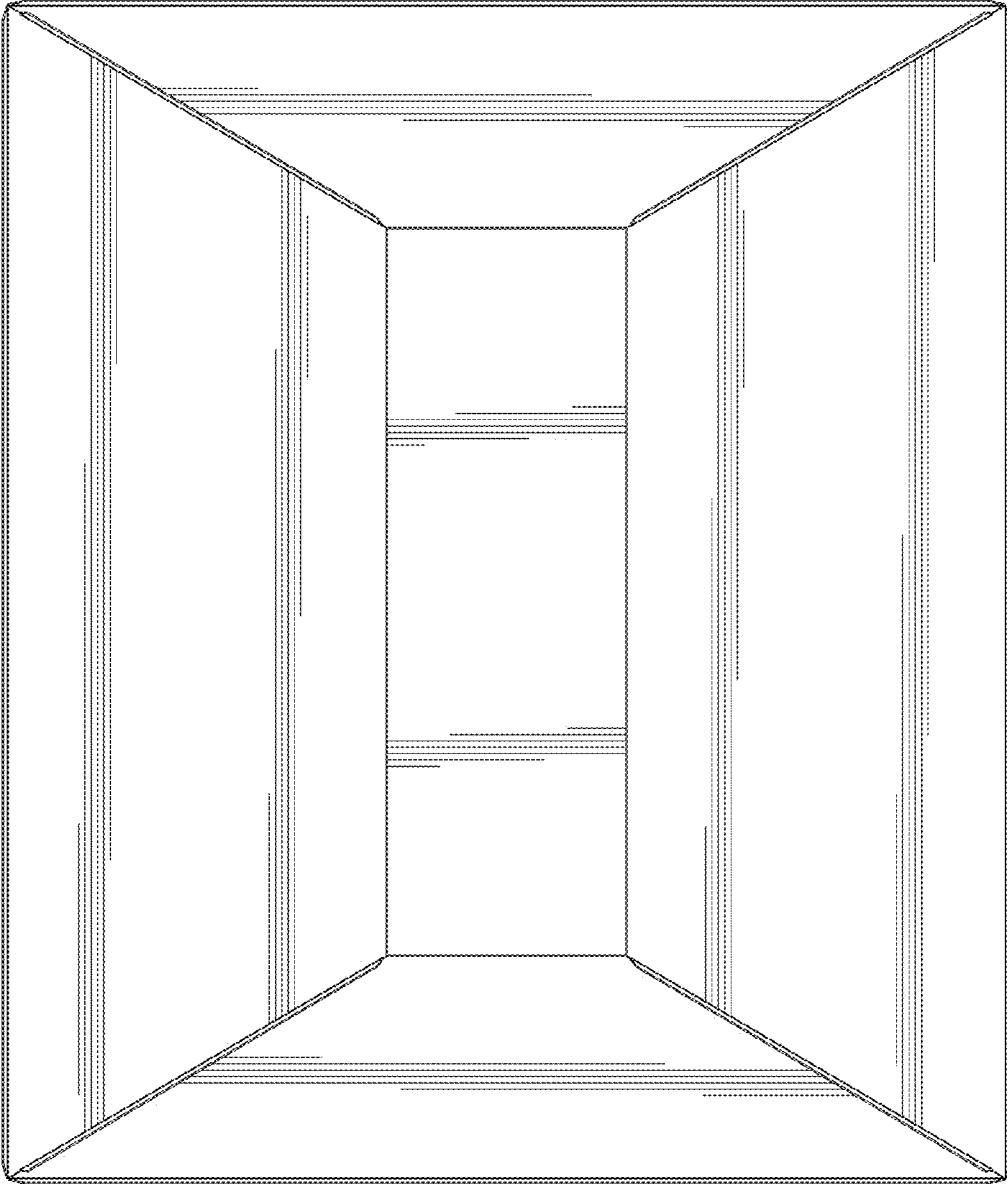


FIG. 8

