



US00D613255S

(12) **United States Design Patent**
Paul

(10) **Patent No.:** **US D613,255 S**

(45) **Date of Patent:** **** Apr. 6, 2010**

(54) **REMOVABLE FACE PACK FOR AN
ELECTRONIC IRRIGATION CONTROLLER**

(75) Inventor: **Michael F. Paul**, San Diego, CA (US)

(73) Assignee: **Hunter Industries, Inc.**, San Marcos, CA (US)

(**) Term: **14 Years**

(21) Appl. No.: **29/343,377**

(22) Filed: **Sep. 11, 2009**

(51) **LOC (9) Cl.** **13-03**

(52) **U.S. Cl.** **D13/162**

(58) **Field of Classification Search** D13/158,
D13/162, 162.1, 64, 184, 199; D10/40; D23/235;
239/63, 69, 70; 700/11, 14-20; 137/1, 377,
137/565.22, 59, 624.11, 78.3; 174/657; 210/143,
210/205

See application file for complete search history.

(56) **References Cited**

U.S. PATENT DOCUMENTS

D492,264 S	6/2004	Perez et al.	D13/162
D546,772 S	7/2007	Venegas et al.	D13/162
D564,456 S	3/2008	Weiler et al.	D13/162
D580,373 S	11/2008	Stange et al.	D13/162
D603,348 S *	11/2009	Sacks et al.	D13/162
7,613,546 B2 *	11/2009	Nelson et al.	700/284
2006/0030971 A1 *	2/2006	Nelson et al.	700/284
2008/0058964 A1 *	3/2008	Nickerson et al.	700/19
2008/0071426 A1 *	3/2008	Perez et al.	700/284
2008/0319585 A1 *	12/2008	Nickerson et al.	700/284

OTHER PUBLICATIONS

ICC Controller Brochure of Hunter Industries, Inc., published Mar. 2007.

ACC Controller Brochure of Hunter Industries, Inc., published Mar. 2006.

Pro-C Controller Brochure of Hunter Industries, Inc., published Mar. 2006.

* cited by examiner

Primary Examiner—Daniel D Bui

Assistant Examiner—Thomas J Johannes

(74) *Attorney, Agent, or Firm*—Michael H. Jester

(57) **CLAIM**

The ornamental design for a removeable face pack for an electronic irrigation controller, as illustrated and described.

DESCRIPTION

FIG. 1 is an isometric front view of a removeable face pack for an electronic irrigation controller, showing my new design;

FIG. 2 is a isometric rear view thereof;

FIG. 3 is a front elevation view thereof;

FIG. 4 is a rear elevation view thereof;

FIG. 5 is a right side end elevation view thereof;

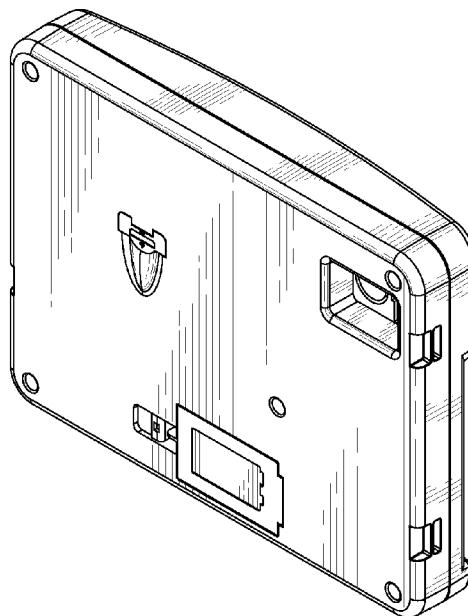
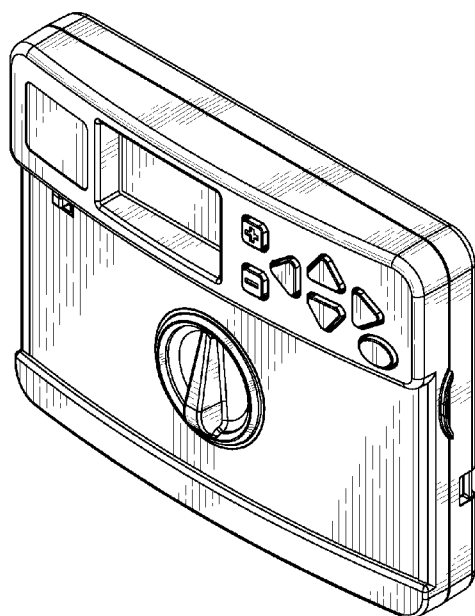
FIG. 6 is a left side end elevation view thereof;

FIG. 7 is a top plan view thereof; and,

FIG. 8 is a bottom plan view taken thereof.

The broken line portion of the figure drawings is included to show unclaimed subject matter only and forms no part of the claimed design.

1 Claim, 3 Drawing Sheets



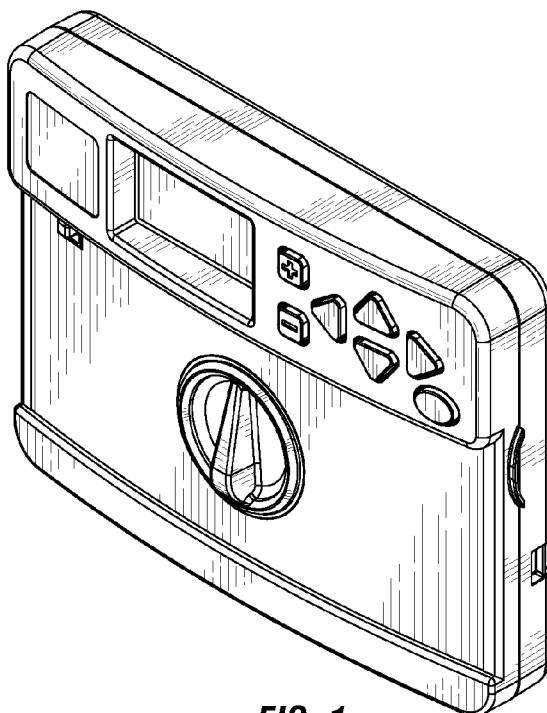


FIG. 1

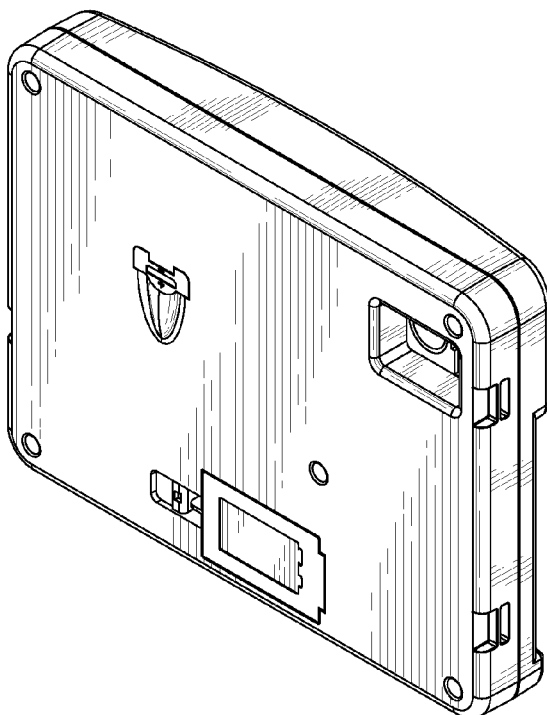


FIG. 2

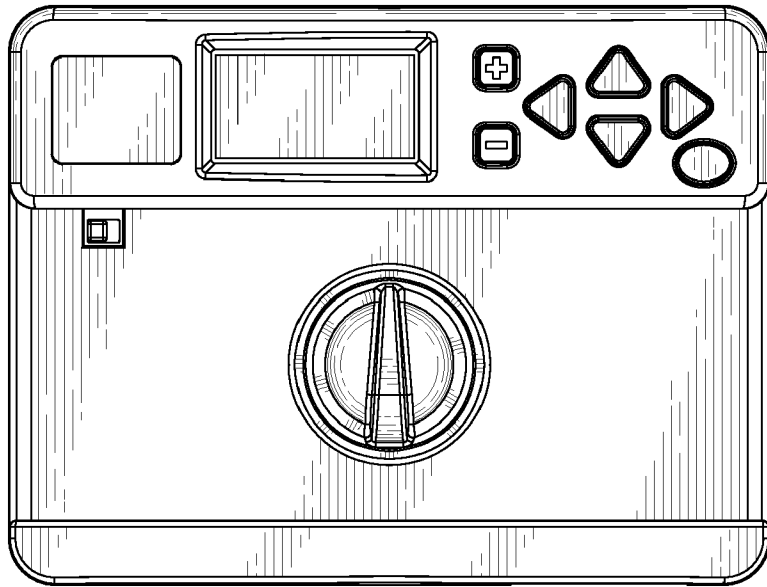


FIG. 3

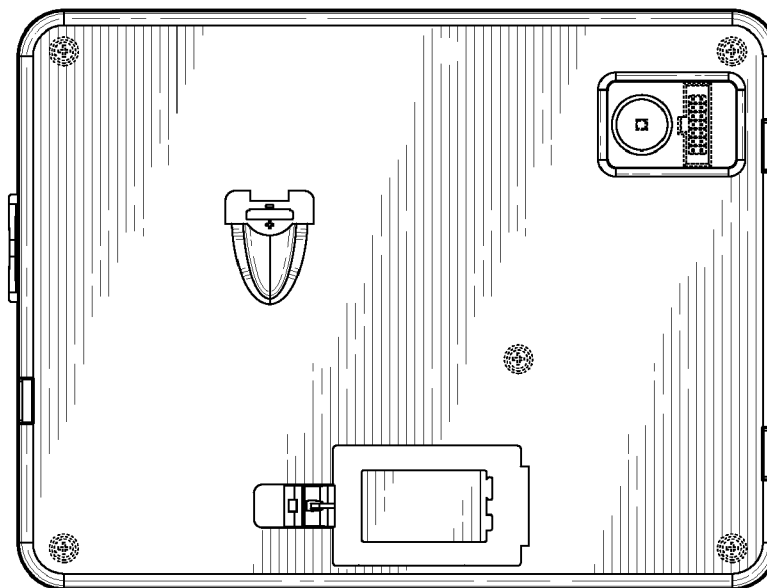


FIG. 4

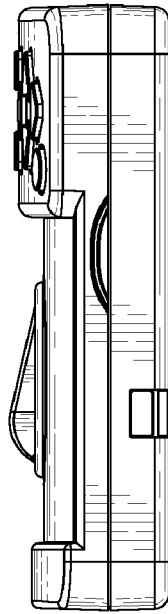


FIG. 5

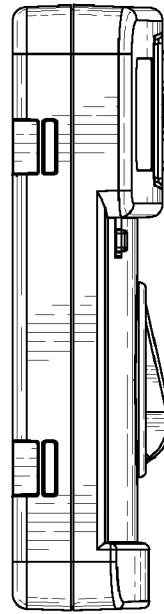


FIG. 6

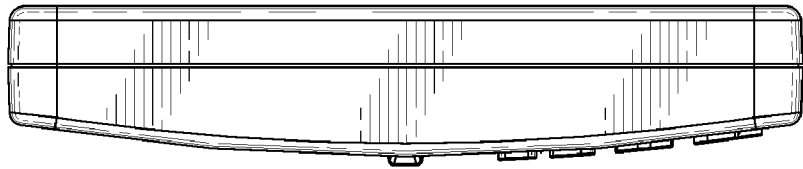


FIG. 7

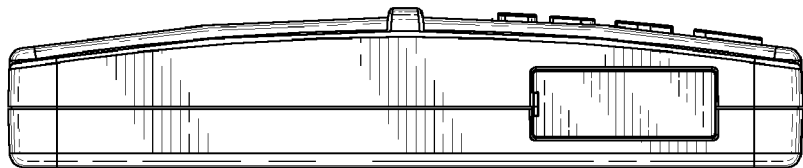


FIG. 8