



US00D720485S

(12) **United States Design Patent**
Gough et al.

(10) **Patent No.:** **US D720,485 S**

(45) **Date of Patent:** **** Dec. 30, 2014**

(54) **LED LIGHT MODULE**

(71) Applicant: **Global Tech China Limited**, Kowloon (HK)

(72) Inventors: **Keith Adrian Gough**, Sai Kung (HK);
John Harold Fearnall, Chester (GB)

(**) Term: **14 Years**

(21) Appl. No.: **29/434,215**

(22) Filed: **Oct. 11, 2012**

(51) **LOC (10) Cl.** **26-03**

(52) **U.S. Cl.**
USPC **D26/63**

(58) **Field of Classification Search**

CPC F21S 8/02; F21V 14/04; F21V 23/0442;
F21W 2131/402; F21Y 2101/02
USPC D26/1, 24, 76-78, 80, 86, 61, 63, 65;
362/100, 127, 133, 240, 605, 612, 613,
362/640, 646, 648

See application file for complete search history.

(56) **References Cited**

U.S. PATENT DOCUMENTS

D392,066 S *	3/1998	Morrow et al.	D26/65
D581,080 S *	11/2008	Mier-Langner	D26/63
D625,870 S *	10/2010	Feigenbaum	D26/63
D645,594 S *	9/2011	Grawe	D26/63
D702,865 S *	4/2014	Yuen	D26/63

* cited by examiner

Primary Examiner — Brian N Vinson

(57) **CLAIM**

The ornamental design for an LED light module, as shown and described.

DESCRIPTION

FIG. 1 is a front elevational view of an LED light module showing our new design;
FIG. 2 is a rear elevational view thereof;
FIG. 3 is a left side view thereof;
FIG. 4 is a right side view thereof;
FIG. 5 is a top plan view thereof;
FIG. 6 is a bottom plan view thereof;
FIG. 7 is a bottom, front, and left side perspective view thereof; and,
FIG. 8 is a top, rear, and right side perspective view thereof.

1 Claim, 8 Drawing Sheets

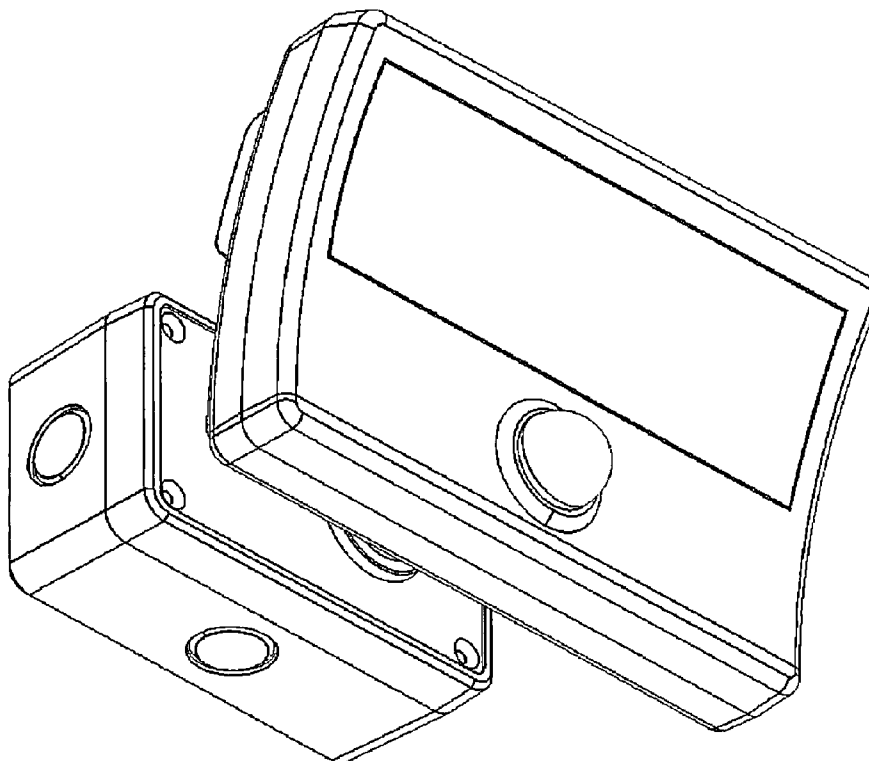


FIG.1

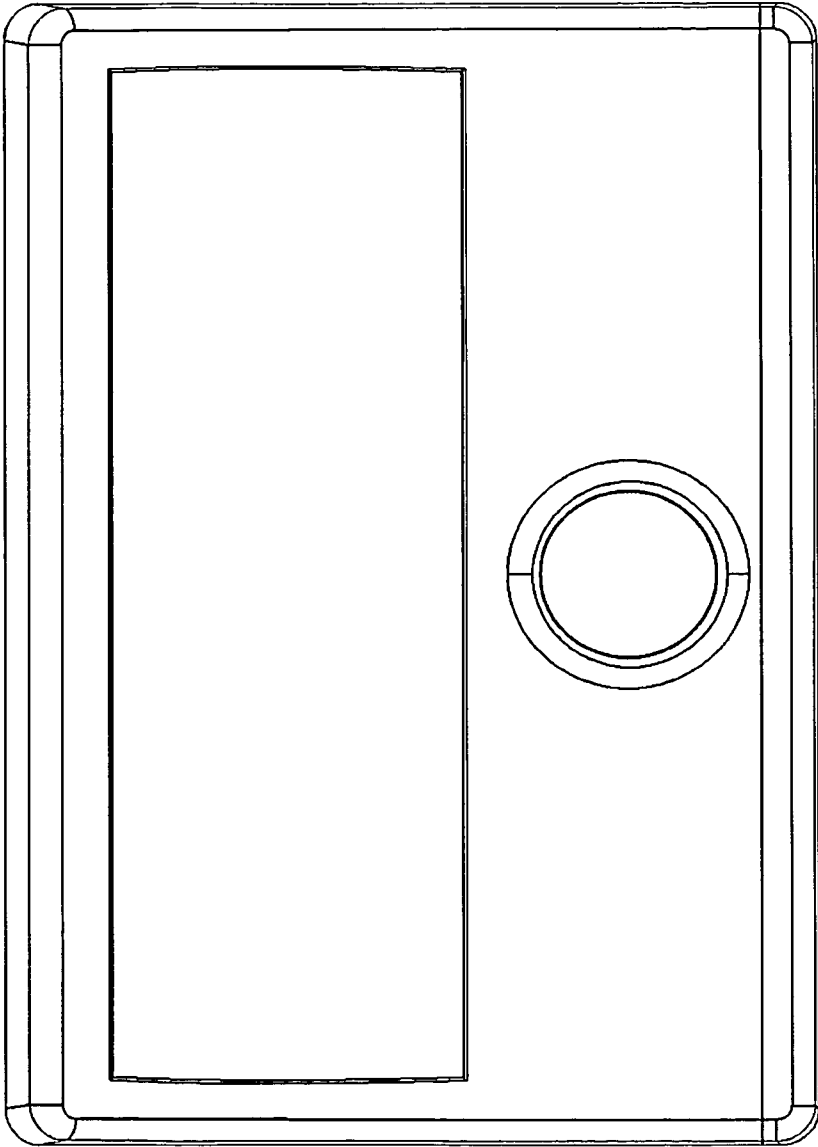


FIG. 2

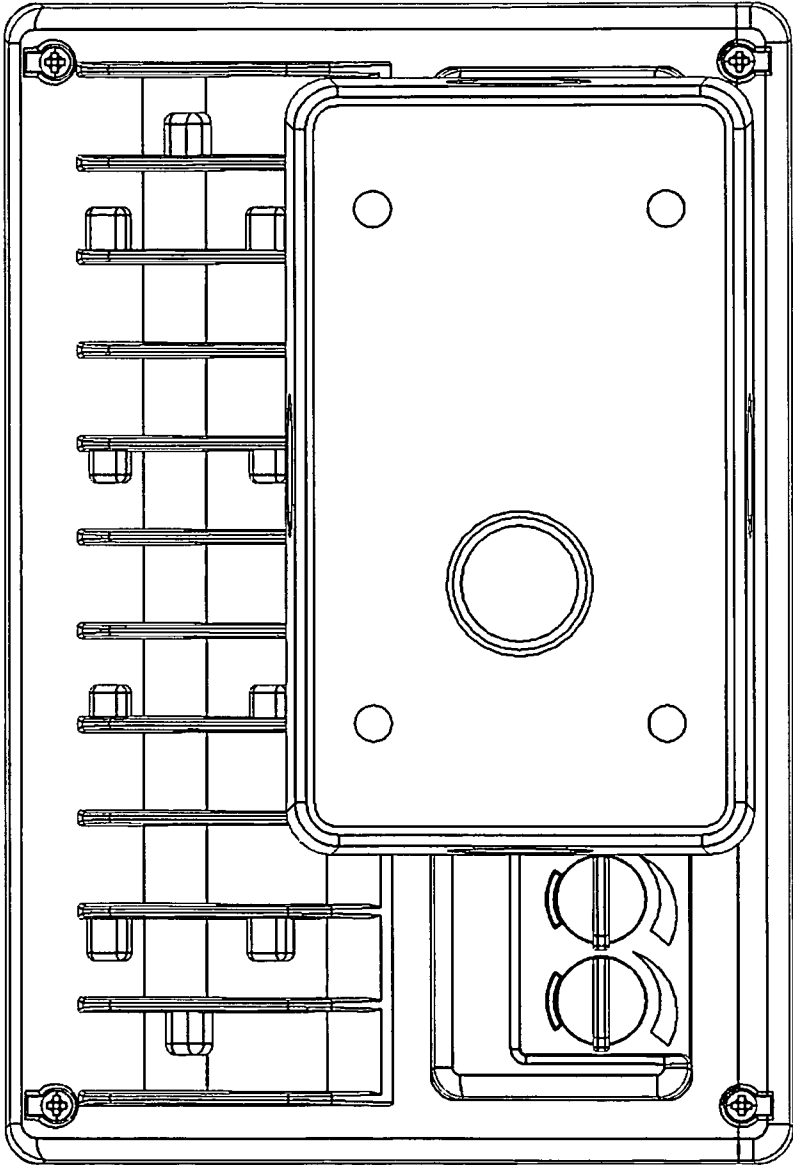


FIG.3

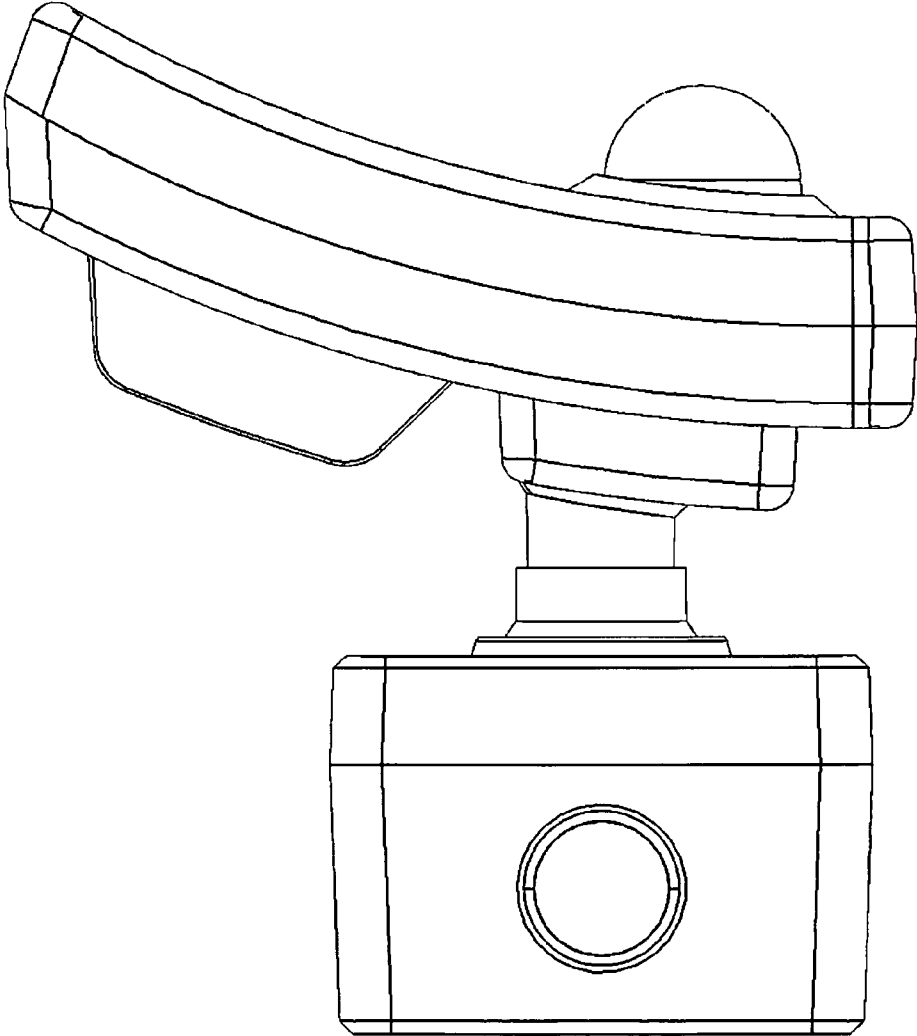


FIG.4

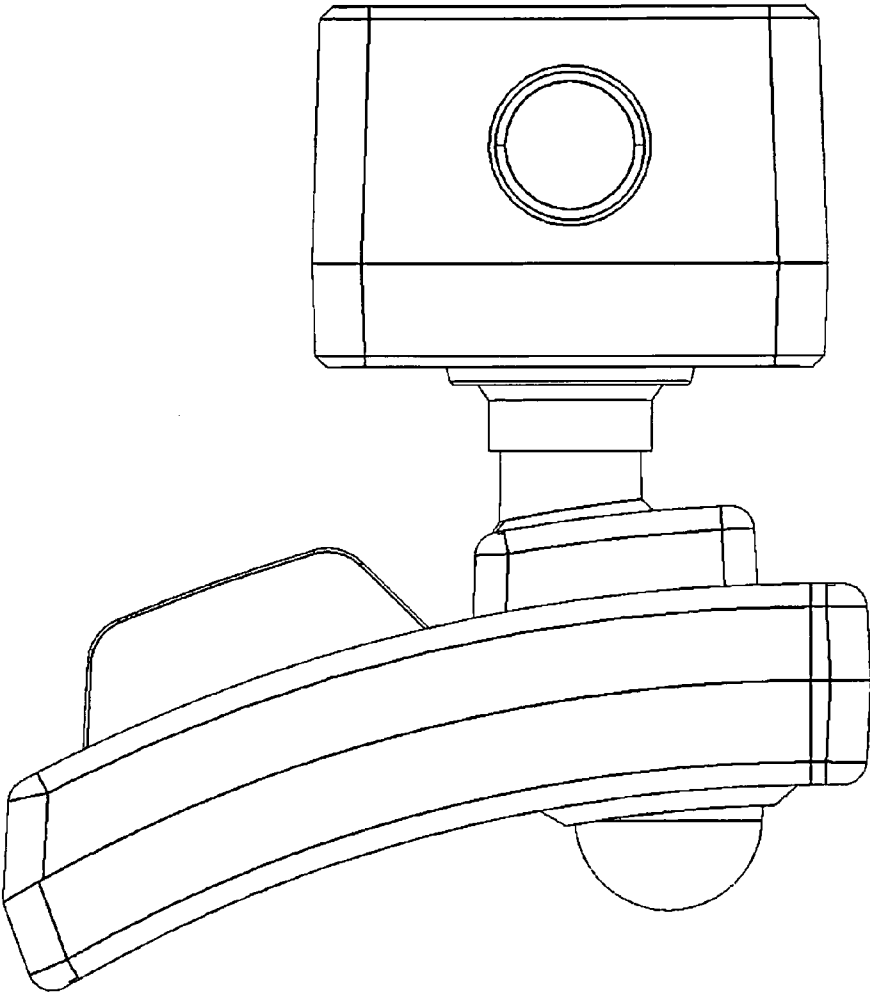


FIG.5

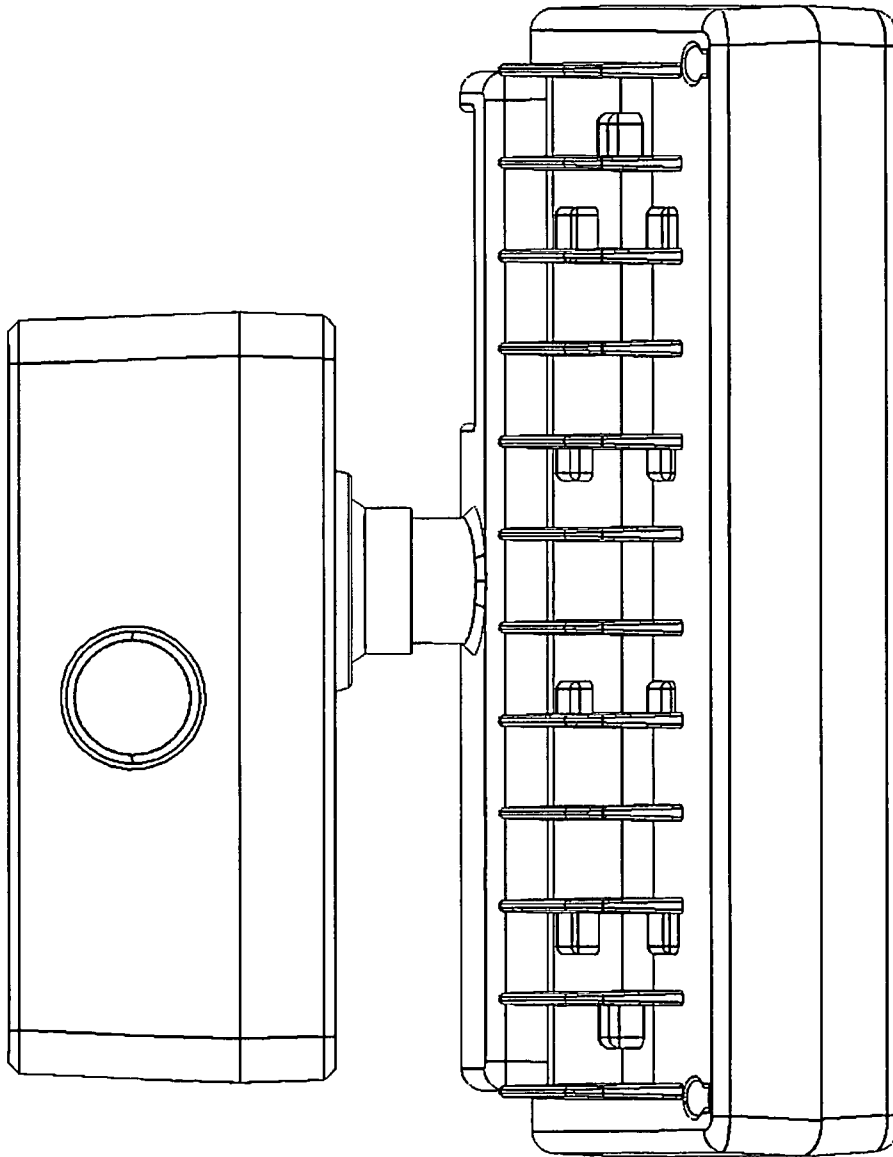


FIG. 6

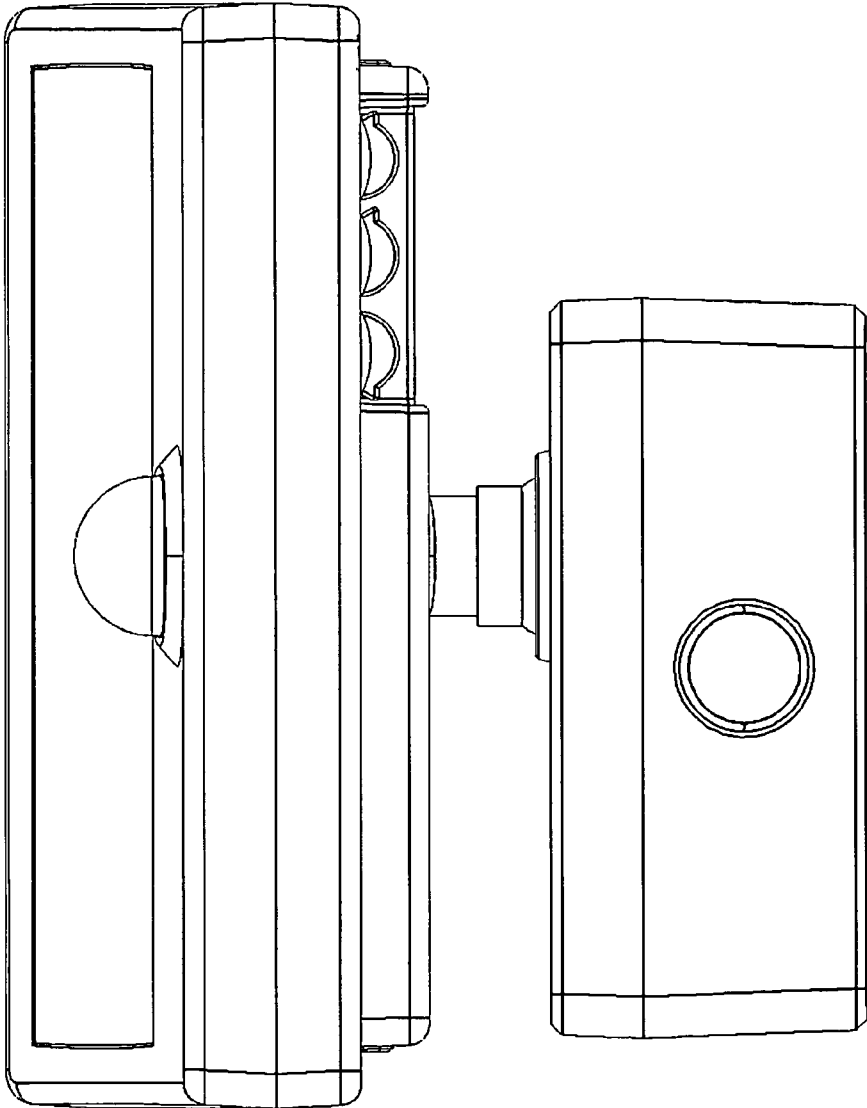


FIG. 7

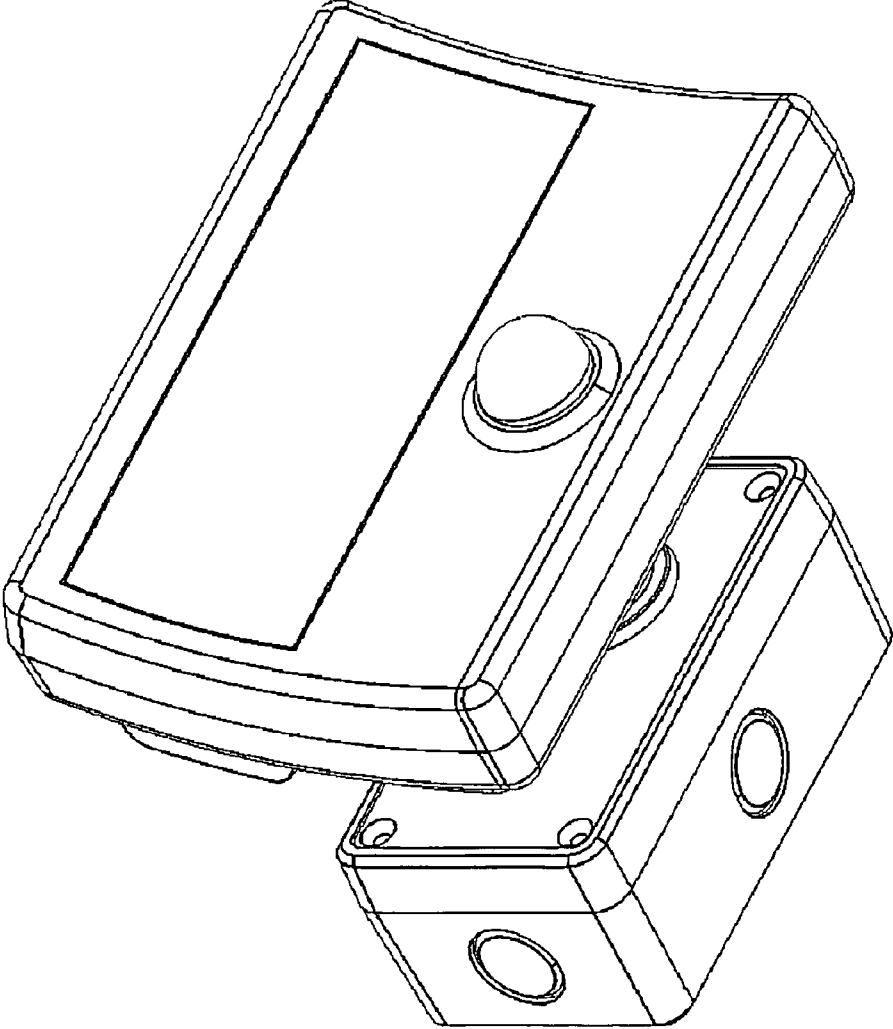


FIG. 8

