

(19) World Intellectual Property Organization  
International Bureau



(43) International Publication Date  
11 October 2007 (11.10.2007)

PCT

(10) International Publication Number  
**WO 2007/113676 A3**

- (51) International Patent Classification:  
*B44C 5/04* (2006.01)      *E04F 15/02* (2006.01)
- (21) International Application Number:  
PCT/IB2007/000987
- (22) International Filing Date:      4 April 2007 (04.04.2007)
- (25) Filing Language:                      Dutch
- (26) Publication Language:                English
- (30) Priority Data:  
2006/0217                      6 April 2006 (06.04.2006)      BE
- (71) Applicant (for all designated States except US): **FLOOR-  
ING INDUSTRIES LIMITED, SARL** [IE/LU]; 10b, rue  
des Mérovingiens (ZI Bourmicht), L-8070 Bertrange (LU).
- (72) Inventor; and
- (75) Inventor/Applicant (for US only): **SEGAERT, Martin**  
[BE/BE]; Tiendelaan 3, B-8900 Ieper (BE).
- (74) Agent: **DONNE, E.**; Bureau M.F.J. Bockstael nv, Aren-  
bergstraat 13, B-2000 Antwerp (BE).
- (81) Designated States (unless otherwise indicated, for every  
kind of national protection available): AE, AG, AL, AM,  
AT, AU, AZ, BA, BB, BG, BH, BR, BW, BY, BZ, CA, CH,  
CN, CO, CR, CU, CZ, DE, DK, DM, DZ, EC, EE, EG, ES,

FI, GB, GD, GE, GH, GM, GT, HN, HR, HU, ID, IL, IN,  
IS, JP, KE, KG, KM, KN, KP, KR, KZ, LA, LC, LK, LR,  
LS, LT, LU, LY, MA, MD, MG, MK, MN, MW, MX, MY,  
MZ, NA, NG, NI, NO, NZ, OM, PG, PH, PL, PT, RO, RS,  
RU, SC, SD, SE, SG, SK, SL, SM, SV, SY, TJ, TM, TN,  
TR, TT, TZ, UA, UG, US, UZ, VC, VN, ZA, ZM, ZW.

- (84) Designated States (unless otherwise indicated, for every  
kind of regional protection available): ARIPO (BW, GH,  
GM, KE, LS, MW, MZ, NA, SD, SL, SZ, TZ, UG, ZM,  
ZW), Eurasian (AM, AZ, BY, KG, KZ, MD, RU, TJ, TM),  
European (AT, BE, BG, CH, CY, CZ, DE, DK, EE, ES, FI,  
FR, GB, GR, HU, IE, IS, IT, LT, LU, LV, MC, MT, NL, PL,  
PT, RO, SE, SI, SK, TR), OAPI (BF, BJ, CF, CG, CI, CM,  
GA, GN, GQ, GW, ML, MR, NE, SN, TD, TG).

**Declarations under Rule 4.17:**

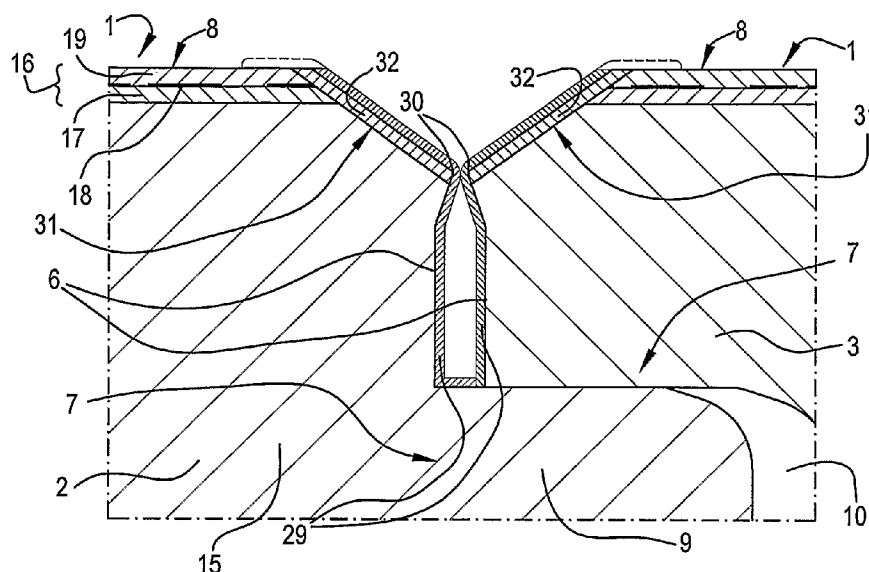
- as to applicant's entitlement to apply for and be granted a  
patent (Rule 4.17(ii))
- of inventorship (Rule 4.17(iv))

**Published:**

- with international search report
- before the expiration of the time limit for amending the  
claims and to be republished in the event of receipt of  
amendments

- (88) Date of publication of the international search report:  
10 July 2008

(54) Title: METHOD FOR MANUFACTURING FLOOR PANELS AND FLOOR PANEL



(57) Abstract: Floor panel, of the type comprising at least a single- or multi-piece substrate (15), which at least partially consists of wood or wood-based material, wherein the floor panel (1.), at least at two opposite sides (2-3), has profiled edge portions (6), which at least comprise coupling parts (7), as well as is provided, at least at one of these sides (2-3), with a chamfer (31), such that the floor panel shows at least a first surface formed by the actual upper side of the floor panel, a second surface formed by the surface of said chamfer, and a third surface formed by the portion of the profiled edge portion extending below said chamfer (31), characterized in that at the first, as well as at the second and third surface, coatings are present, a first coating, a second coating and a third coating, respectively, wherein at least one of said coatings is realized as a solidified substance.

WO 2007/113676 A3

**INTERNATIONAL SEARCH REPORT**

International application No  
PCT/IB2007/000987

**A. CLASSIFICATION OF SUBJECT MATTER**  
INV. B44C5/04 E04F15/02

According to International Patent Classification (IPC) or to both national classification and IPC

**B. FIELDS SEARCHED**

Minimum documentation searched (classification system followed by classification symbols)  
B44C E04F

Documentation searched other than minimum documentation to the extent that such documents are included in the fields searched

Electronic data base consulted during the international search (name of data base and, where practical, search terms used)

EPO-Internal, WPI Data

**C. DOCUMENTS CONSIDERED TO BE RELEVANT**

Category*	Citation of document, with indication, where appropriate, of the relevant passages	Relevant to claim No.
X	EP 1 512 808 A (M. KAINDL) 9 March 2005 (2005-03-09) see abstract paragraph [0001] - paragraph [0004]; claims 1-15; figures 1-4 paragraph [0011] - paragraph [0021]	1-14
A	EP 1 559 850 A (KRONOTEC AG) 3 August 2005 (2005-08-03) the whole document	1-14
A	DE 199 29 635 A (EBA PANEELWERK GMBH) 3 February 2000 (2000-02-03) the whole document	1-14
A	WO 2005/066431 A (AKZENTA PANELEE + PROFILE GMBH) 21 July 2005 (2005-07-21) the whole document	1-14
	-/--	

Further documents are listed in the continuation of Box C.

See patent family annex.

\* Special categories of cited documents :

- \*A\* document defining the general state of the art which is not considered to be of particular relevance
- \*E\* earlier document but published on or after the international filing date
- \*L\* document which may throw doubts on priority claim(s) or which is cited to establish the publication date of another citation or other special reason (as specified)
- \*O\* document referring to an oral disclosure, use, exhibition or other means
- \*P\* document published prior to the international filing date but later than the priority date claimed

- \*T\* later document published after the international filing date or priority date and not in conflict with the application but cited to understand the principle or theory underlying the invention
- \*X\* document of particular relevance; the claimed invention cannot be considered novel or cannot be considered to involve an inventive step when the document is taken alone
- \*Y\* document of particular relevance; the claimed invention cannot be considered to involve an inventive step when the document is combined with one or more other such documents, such combination being obvious to a person skilled in the art.
- \*Z\* document member of the same patent family

Date of the actual completion of the international search

Date of mailing of the international search report

6 February 2008

19/05/2008

Name and mailing address of the ISA/  
European Patent Office, P.B. 5818 Patentlaan 2  
NL - 2280 HV Rijswijk  
Tel. (+31-70) 340-2040, Tx. 31 651 epo nl,  
Fax: (+31-70) 340-3016

Authorized officer

Greiner, Ernst

## INTERNATIONAL SEARCH REPORT

International application No

PCT/IB2007/000987

C(Continuation). DOCUMENTS CONSIDERED TO BE RELEVANT		
Category*	Citation of document, with indication, where appropriate, of the relevant passages	Relevant to claim No.
A	WO 01/96688 A (UNILIN BEHEER B.V., BESLOTEN VENNOOTSCHAP) 20 December 2001 (2001-12-20) the whole document -----	1-14
A	WO 2004/108436 A (FLOORING INDUSTRIES LTD.) 16 December 2004 (2004-12-16) the whole document -----	1-14
A	DE 102 56 501 A (KRONOTEC AG) 15 July 2004 (2004-07-15) the whole document -----	1-14
A	EP 1 382 773 A (E.F.P. FLOOR PRODUCTS FUSSBÖDEN GMBH) 21 January 2004 (2004-01-21) the whole document -----	1-14

# INTERNATIONAL SEARCH REPORT

International application No.  
PCT/IB2007/000987

## Box No. II Observations where certain claims were found unsearchable (Continuation of item 2 of first sheet)

This international search report has not been established in respect of certain claims under Article 17(2)(a) for the following reasons:

1.  Claims Nos.:  
because they relate to subject matter not required to be searched by this Authority, namely:
  
2.  Claims Nos.:  
because they relate to parts of the international application that do not comply with the prescribed requirements to such an extent that no meaningful international search can be carried out, specifically:
  
3.  Claims Nos.:  
because they are dependent claims and are not drafted in accordance with the second and third sentences of Rule 6.4(a).

## Box No. III Observations where unity of invention is lacking (Continuation of item 3 of first sheet)

This International Searching Authority found multiple inventions in this international application, as follows:

see additional sheet

1.  As all required additional search fees were timely paid by the applicant, this international search report covers allsearchable claims.
  
2.  As all searchable claims could be searched without effort justifying an additional fees, this Authority did not invite payment of additional fees.
  
3.  As only some of the required additional search fees were timely paid by the applicant, this international search report covers only those claims for which fees were paid, specifically claims Nos.:
  
4.  No required additional search fees were timely paid by the applicant. Consequently, this international search report is restricted to the invention first mentioned in the claims; it is covered by claims Nos.:

see additional sheet (s)

### Remark on Protest

- The additional search fees were accompanied by the applicant's protest and, where applicable, the payment of a protest fee.
- The additional search fees were accompanied by the applicant's protest but the applicable protest fee was not paid within the time limit specified in the invitation.
- No protest accompanied the payment of additional search fees.

FURTHER INFORMATION CONTINUED FROM PCT/ISA/ 210

This International Searching Authority found multiple (groups of) inventions in this international application, as follows:

1. claims: 1-14

Three coatings on three surfaces  
---

2. claims: 15-22

Transparent moisture-repellent coating  
---

3. claims: 23-31

Two different coatings partially covering edge portions  
---

4. claims: 32-34

Intentional gap  
---

5. claims: 35-37

Plasma treatment  
---

## INTERNATIONAL SEARCH REPORT

Information on patent family members

International application No

PCT/IB2007/000987

Patent document cited in search report		Publication date	Patent family member(s)	Publication date
EP 1512808	A	09-03-2005	CA 2479584 A1 DE 20313661 U1 US 2005050827 A1	05-03-2005 13-11-2003 10-03-2005
EP 1559850	A	03-08-2005	DE 202004001037 U1 US 2005235593 A1	29-04-2004 27-10-2005
DE 19929635	A	03-02-2000	DE 29911244 U1	11-11-1999
WO 2005066431	A	21-07-2005	CA 2557096 A1 CN 1922004 A DE 102004001131 A1 EP 1704045 A2	21-07-2005 28-02-2007 04-08-2005 27-09-2006
WO 0196688	A	20-12-2001	AT 6494 U1 AT 323808 T AU 2819301 A AU 6571201 A AU 2001228193 B2 WO 0196689 A1 BE 1013553 A3 BG 64513 B1 BG 107380 A BR 0111566 A CA 2410206 A1 CA 2410209 A1 CN 1436267 A CN 1436268 A CN 1827323 A CN 101004103 A CZ 20024068 A3 DE 01984017 T1 DE 06075877 T1 DE 20121663 U1 DE 60118912 T2 DK 1290291 T3 EP 1290290 A1 EP 1290291 A1 ES 2220241 T1 ES 2270751 T1 HU 0301780 A2 JP 2004502890 T MA 26149 A1 MX PA02012025 A NO 20025970 A NZ 522893 A PL 359970 A1 PT 1290291 T RO 120926 B1 RU 2239031 C2 SI 20989 A SK 17382002 A3 UA 75596 C2 US 2002056245 A1 US 2002014047 A1 ZA 200209952 A	25-11-2003 15-05-2006 24-12-2001 24-12-2001 20-07-2006 20-12-2001 05-03-2002 31-05-2005 30-06-2003 08-07-2003 20-12-2001 20-12-2001 13-08-2003 13-08-2003 06-09-2006 25-07-2007 18-06-2003 15-07-2004 08-02-2007 27-02-2003 21-12-2006 17-07-2006 12-03-2003 12-03-2003 16-12-2004 16-04-2007 28-08-2003 29-01-2004 01-07-2004 19-08-2004 10-02-2003 27-02-2004 06-09-2004 31-08-2006 29-09-2006 27-10-2004 28-02-2003 08-06-2004 17-03-2003 16-05-2002 07-02-2002 20-10-2003
WO 2004108436	A	16-12-2004	BE 1015760 A6	02-08-2005

# INTERNATIONAL SEARCH REPORT

Information on patent family members

International application No <b>PCT/IB2007/000987</b>
--

Patent document cited in search report		Publication date	Patent family member(s)	Publication date
WO 2004108436	A		EP 1628839 A2 US 2004255541 A1	01-03-2006 23-12-2004
DE 10256501	A	15-07-2004	NONE	
EP 1382773	A	21-01-2004	AU 2003205583 A1 AU 2003205584 A1 DE 20300291 U1 DE 20300306 U1 WO 2004009930 A1 WO 2004009931 A1 EP 1382774 A1	09-02-2004 09-02-2004 27-11-2003 17-04-2003 29-01-2004 29-01-2004 21-01-2004