



US00D709846S

(12) **United States Design Patent**
Oswaks

(10) **Patent No.:** **US D709,846 S**

(45) **Date of Patent:** **** Jul. 29, 2014**

(54) **WRISTBAND WITH COMMUNICATION
DEVICE ENCLOSED THEREIN**

Primary Examiner — Jeffrey D Asch

(74) *Attorney, Agent, or Firm* — Carol N. Green, Esq.

(76) Inventor: **Jonathan Oswaks**, Thousand Oaks, CA
(US)

(**) Term: **14 Years**

(57) **CLAIM**

The ornamental design for a wristband with communication device enclosed therein, as shown and described.

(21) Appl. No.: **29/431,536**

(22) Filed: **Sep. 7, 2012**

(51) **LOC (10) Cl.** **14-03**

(52) **U.S. Cl.**

USPC **D14/138 R; D14/144; D10/32**

(58) **Field of Classification Search**

USPC D14/138 G, 138 AD, 341, 346, 138 R,
D14/138 AA, 138 AB, 496, 203.1, 203.3,
D14/203.4, 203.7, 248, 218, 144;
455/575.1, 556.1, 556.2, 575.3, 575.4;
D21/517, 333, 331; 379/433.01,
379/433.04, 433.1; D10/65, 78, 104.1,
D10/104.2, 70, 31, 32, 38, 39; D13/168;
361/679.3, 679.56; D11/3, 4, 5, 12, 19,
D11/25; 368/13, 10

See application file for complete search history.

DESCRIPTION

FIG. 1 is a top perspective view of the invention.
FIG. 2 is a bottom perspective view of the invention.
FIG. 3 is a top plan view of the invention.
FIG. 4 is a bottom plan view of the invention.
FIG. 5 is a front view of the invention.
FIG. 6 is a rear view of the invention.
FIG. 7 is a right side view of the invention with the wristband in an open position.
FIG. 8 is a left side view the invention with the wristband in an open position.
FIG. 9 is a top perspective view of the invention with the communication device partially inserted within the enclosure.
FIG. 10 is a bottom perspective view of the invention with the communication device partially inserted within the enclosure.
FIG. 11 is a top plan view of the invention with the communication device partially inserted within the enclosure.
FIG. 12 is a bottom plan view of the invention with the communication device partially inserted within the enclosure.
FIG. 13 is a front view of the invention with the communication device partially inserted within the enclosure.
FIG. 14 is a rear view of the invention with the communication device partially inserted within the enclosure.
FIG. 15 is a right side perspective view of the invention with the communication device partially inserted within the enclosure; and,
FIG. 16 is a left side perspective view of the invention with the communication device partially inserted within the enclosure.

(56) **References Cited**

U.S. PATENT DOCUMENTS

D301,840	S	*	6/1989	Houlihan	D10/30
D302,391	S	*	7/1989	Houlihan	D10/32
D319,590	S	*	9/1991	Houlihan	D10/31
5,239,521	A	*	8/1993	Blonder	368/10
D358,553	S	*	5/1995	Murakami et al.	D10/31
D358,997	S	*	6/1995	Yamamoto	D10/31
D365,550	S	*	12/1995	Houlihan	D14/344
D390,487	S	*	2/1998	Thun	D10/104.2
5,781,511	A	*	7/1998	Yasukawa et al.	368/11

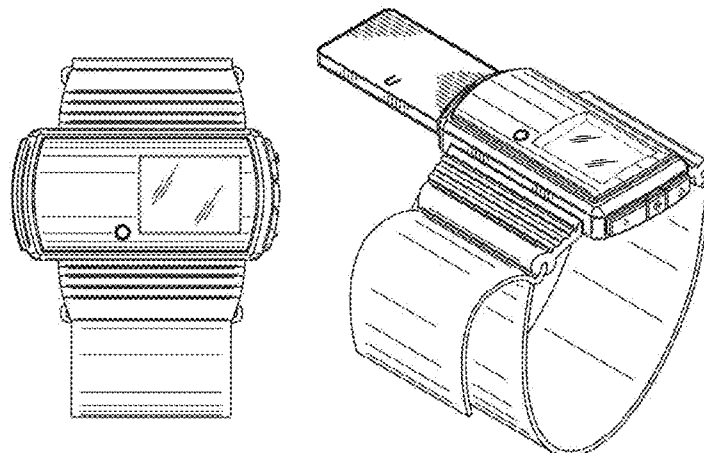
(Continued)

OTHER PUBLICATIONS

LG GD910 telephone, announced Jan. 2009, [online], [site visited Feb. 18, 2014]. Available from Internet, <URL: http://www.gsmarena.com/lg_gd910-2644.php>.*

(Continued)

1 Claim, 8 Drawing Sheets



(56)

References Cited

U.S. PATENT DOCUMENTS

5,819,183 A * 10/1998 Voroba et al. 455/570
 6,249,487 B1 * 6/2001 Yano et al. 368/47
 D454,551 S * 3/2002 Bonadei et al. D14/138 R
 6,459,890 B1 * 10/2002 Kim 455/351
 6,549,791 B1 * 4/2003 Jeon et al. 455/572
 D494,557 S * 8/2004 Lowinger D14/138 R
 D496,590 S * 9/2004 Chung et al. D10/31
 D501,836 S * 2/2005 Lowinger D14/138 R
 D515,945 S * 2/2006 Goto et al. D10/32
 D535,205 S * 1/2007 Frederick et al. D10/104.1
 D571,249 S * 6/2008 Frederick et al. D11/4
 D596,610 S * 7/2009 Hou D14/144
 8,380,258 B2 * 2/2013 Kim et al. 455/575.1
 8,634,886 B1 * 1/2014 Samuels et al. 455/575.6
 2002/0105859 A1 * 8/2002 Davidson et al. 368/13
 2007/0270199 A1 * 11/2007 Kim et al. 455/575.6
 2009/0143117 A1 * 6/2009 Shin et al. 455/575.6
 2010/0112964 A1 * 5/2010 Yi et al. 455/90.3
 2013/0273984 A1 * 10/2013 Filippov 455/575.6

OTHER PUBLICATIONS

i8 watch phone wrist watch phone hand watch mobile phone, no posting date given, www.android-touchpadtabletpc.com, pp. 1-2 of 3, [online], [site visited Feb. 23, 2014]. Available from Internet, <URL: http://www.android-touchpadtabletpc.com/china-i8_watch_phone_wrist_watch_phone_hand_watch_mobile_phone-1107894.html>.*
 Swap Rebel watch phone laughs at your wrist-mounted iPod nano, by Sean Hollister, posted "3 years ago", engadget.com, p. 1 of 5, [online], [site visited Feb. 23, 2014]. Available from Internet, <URL: <http://www.engadget.com/2010/12/13/swap-rebel-watch-phone-laughs-at-your-wrist-mounted-ipod-nano/>>.*
 In Stock Free shipping 2013 latest watch phone,wrist watch phone android Z1 Christmas gift, no posting date given (pre-Christmas 2013), www.aliexprs.com, p. 1 of 4, [online], [site visited Feb. 23, 2014]. Available from Internet, <URL: (see office action for URL)>.*
 Nonin WristOx2 3150 oximeter , no posting date given, www.roxon.ca, p. 1 of 2, [online], [site visited Feb. 24, 2014]. Available from Internet, <URL: <http://www.roxon.ca/site/product/234/23>>.*

* cited by examiner

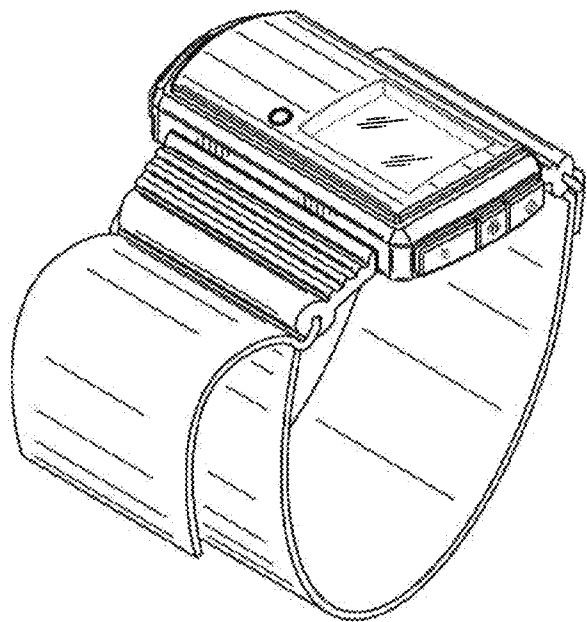


FIG. 1

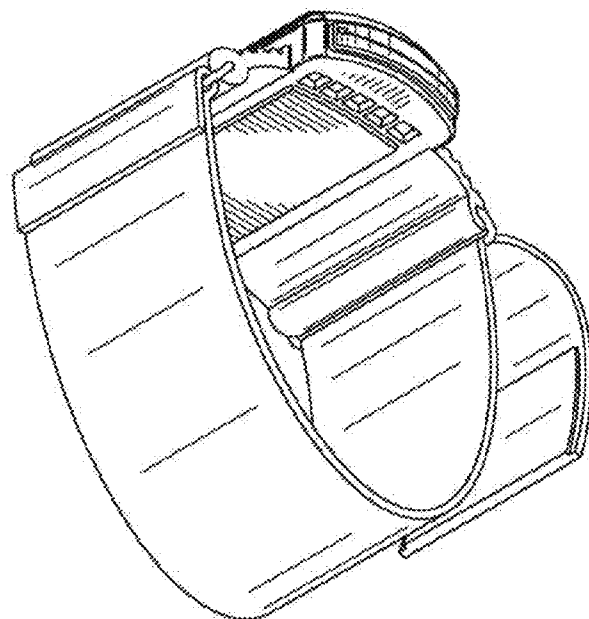


FIG. 2

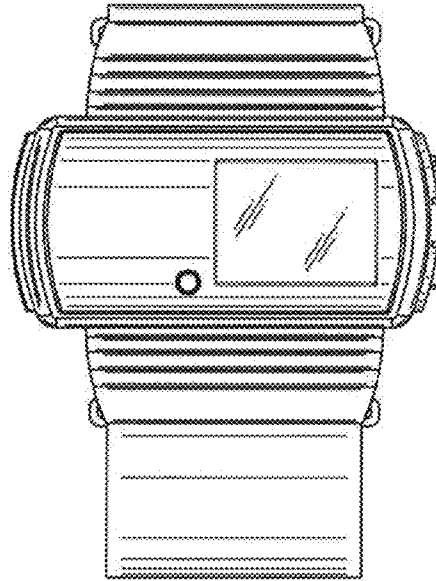


FIG. 3

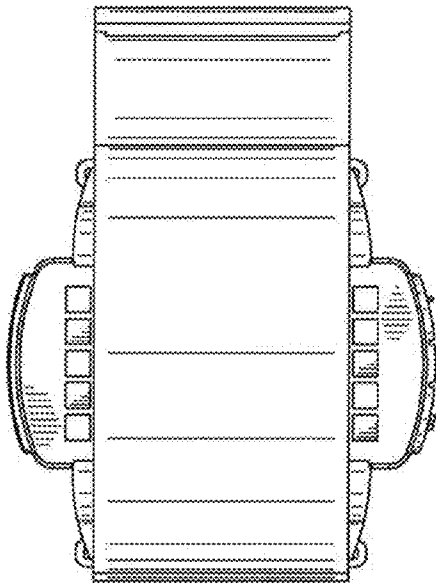


FIG. 4

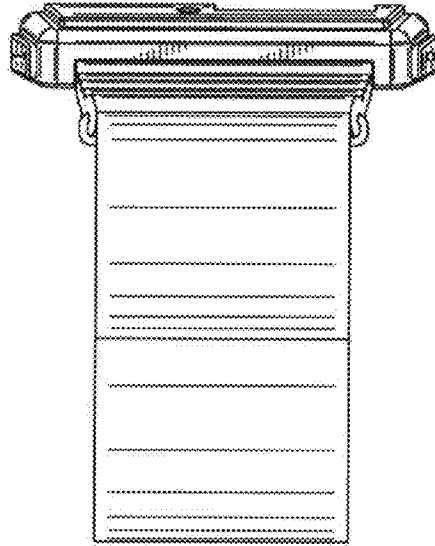


FIG. 5

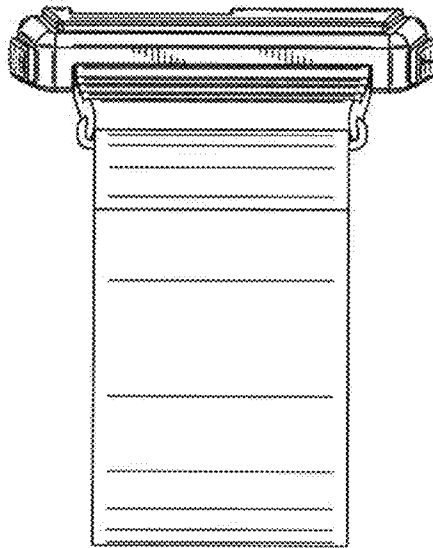


FIG. 6

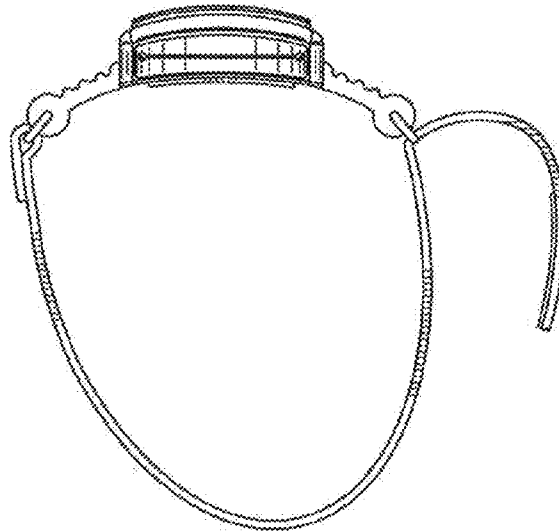


FIG. 7

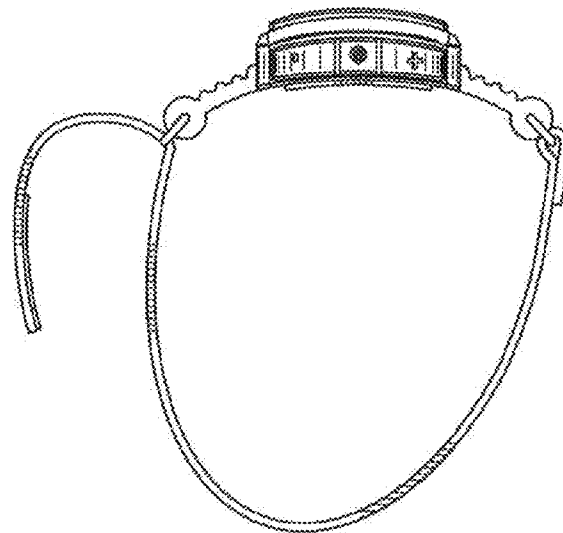


FIG. 8

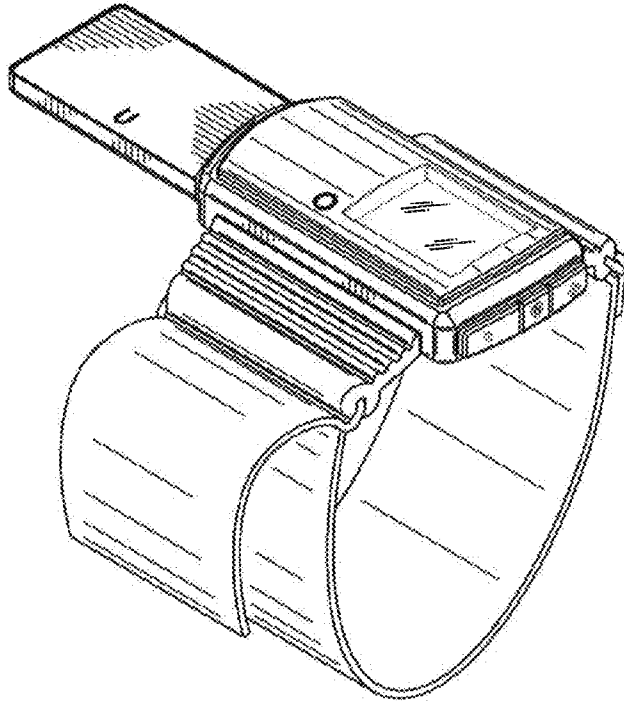


FIG. 9

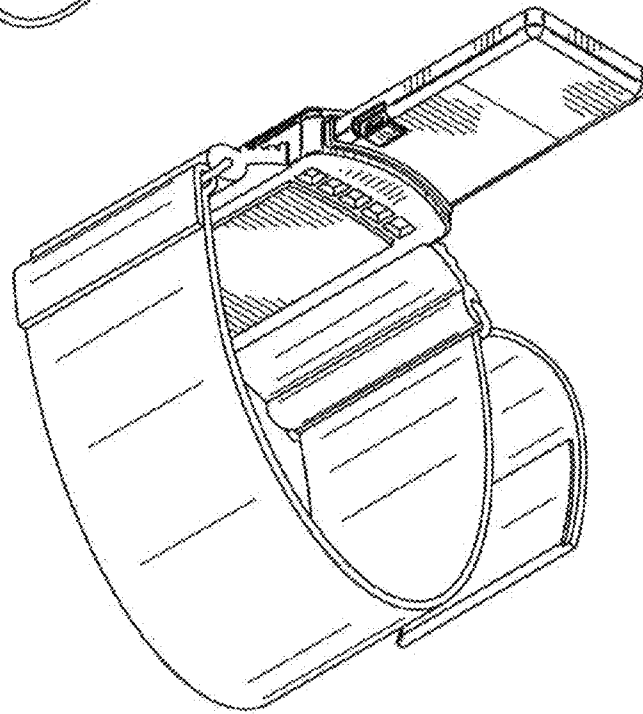


FIG. 10

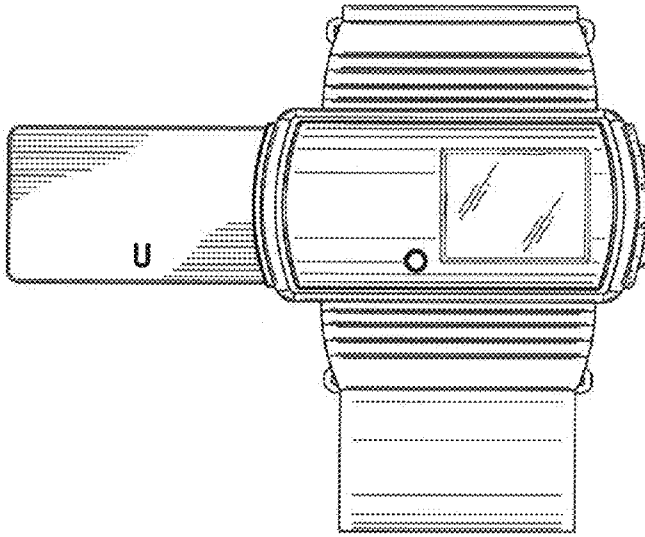


FIG. 11

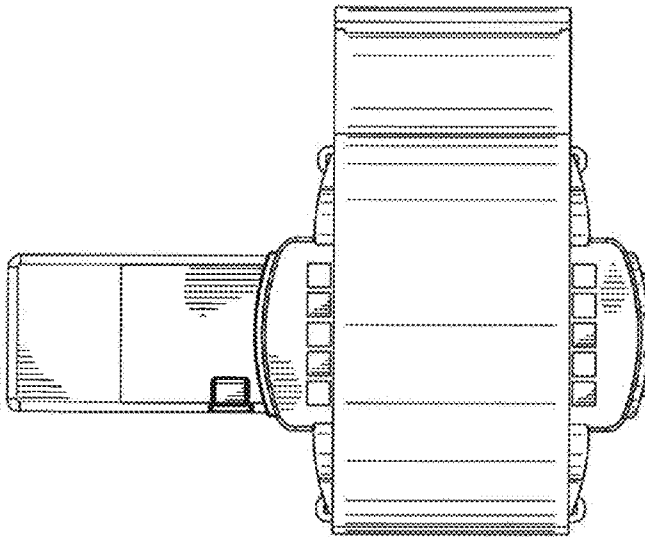


FIG. 12

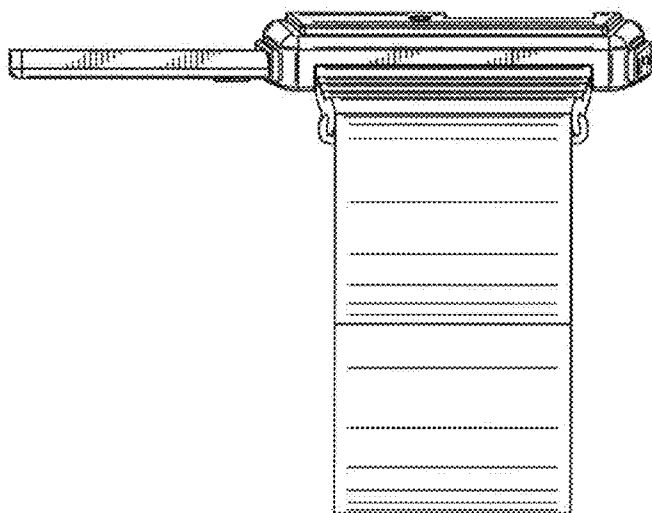


FIG. 13

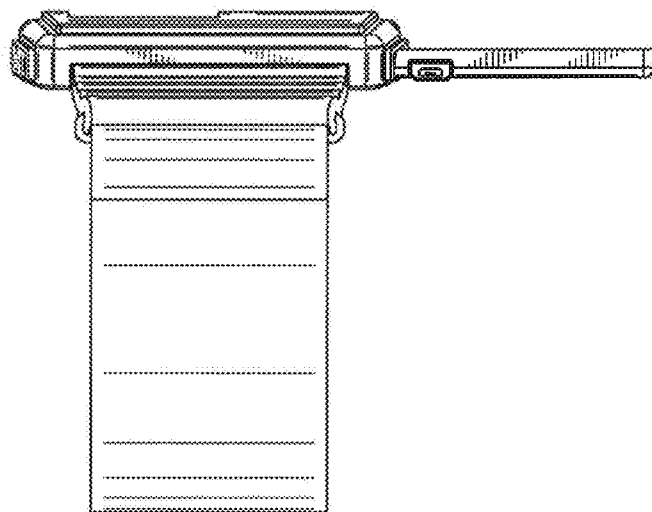


FIG. 14

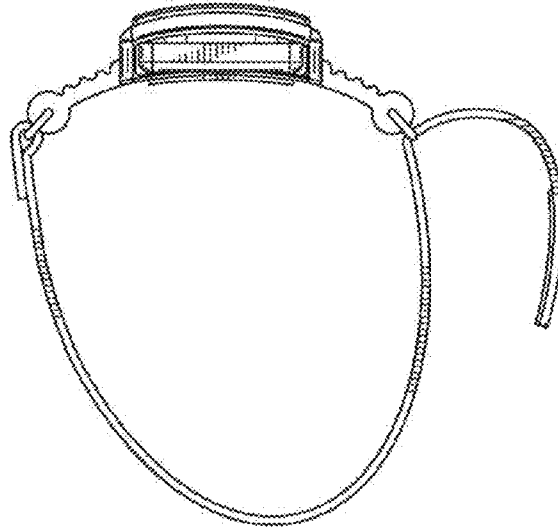


FIG. 15

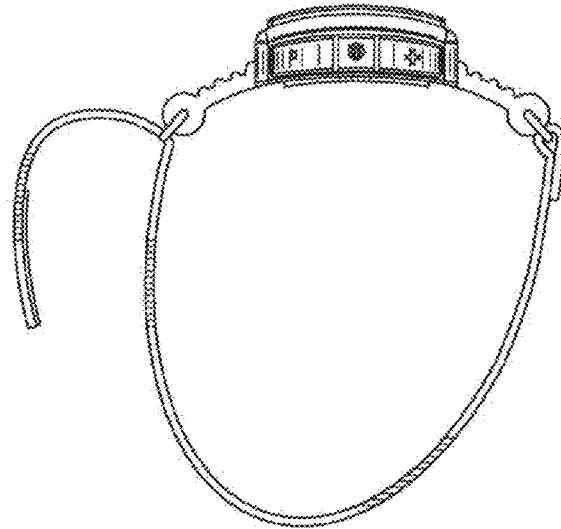


FIG. 16