



US00D425164S

United States Patent [19]

[11] Patent Number: Des. 425,164

Tate

[45] Date of Patent: ** May 16, 2000

[54] **GOLF DIVOT TOOL WITH HINGED WATCH AND BALL MARKER**

OTHER PUBLICATIONS

Golf Day; p. 32; "keeper of the green", Sep. 1991.

[76] Inventor: **John R. Tate**, 11621 Markon Dr., Garden Grove, Calif. 92841

Primary Examiner—Mitchell Siegel
Attorney, Agent, or Firm—Charles H. Thomas

[**] Term: **14 Years**

[57] CLAIM

[21] Appl. No.: **29/106,805**

The ornamental design for the article golf divot tool with hinged watch and ball marker, as shown and described.

[22] Filed: **Jun. 18, 1999**

DESCRIPTION

[51] **LOC (7) Cl.** **21-02**

FIG. 1 is a rear perspective view showing the design of my golf divot tool with hinged watch and ball marker with the watch and ball marker thereof seated in their mounting; FIG. 2 is a rear elevational view thereof; FIG. 3 is a front elevational view thereof; FIG. 4 is a left-side elevational view thereof; FIG. 5 is a right-side elevational view thereof; FIG. 6 is a bottom plan view thereof; FIG. 7 is a top plan view thereof; and, FIG. 8 is a rear perspective view thereof shown with the watch and ball marker unseated from their mounting.

[52] **U.S. Cl.** **D21/793**

[58] **Field of Search** D21/793; 473/286, 473/408

[56] References Cited

U.S. PATENT DOCUMENTS

D. 318,625	7/1991	Stowell	D21/793
D. 348,402	7/1994	McDonald	D21/793
D. 403,389	12/1998	Kim	D21/793
D. 409,706	5/1999	Tate	D21/793
5,769,740	6/1998	Colangelo	473/408

1 Claim, 4 Drawing Sheets

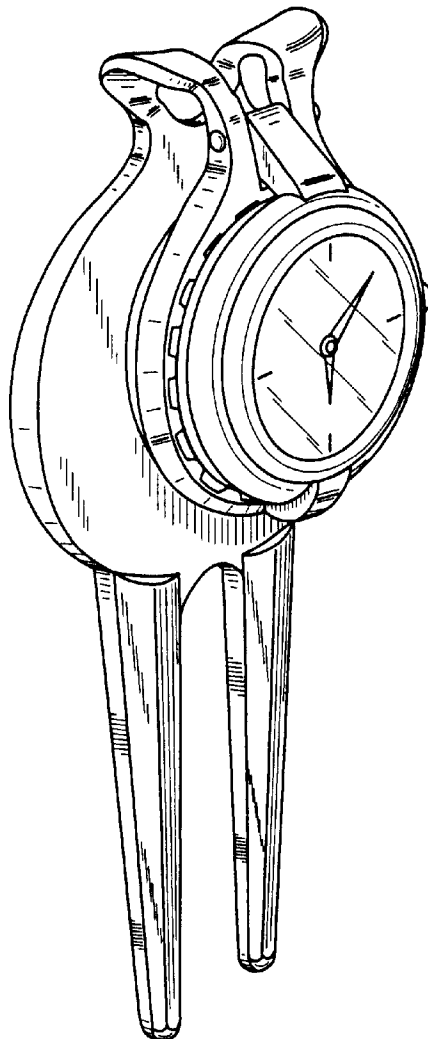


FIG. 1

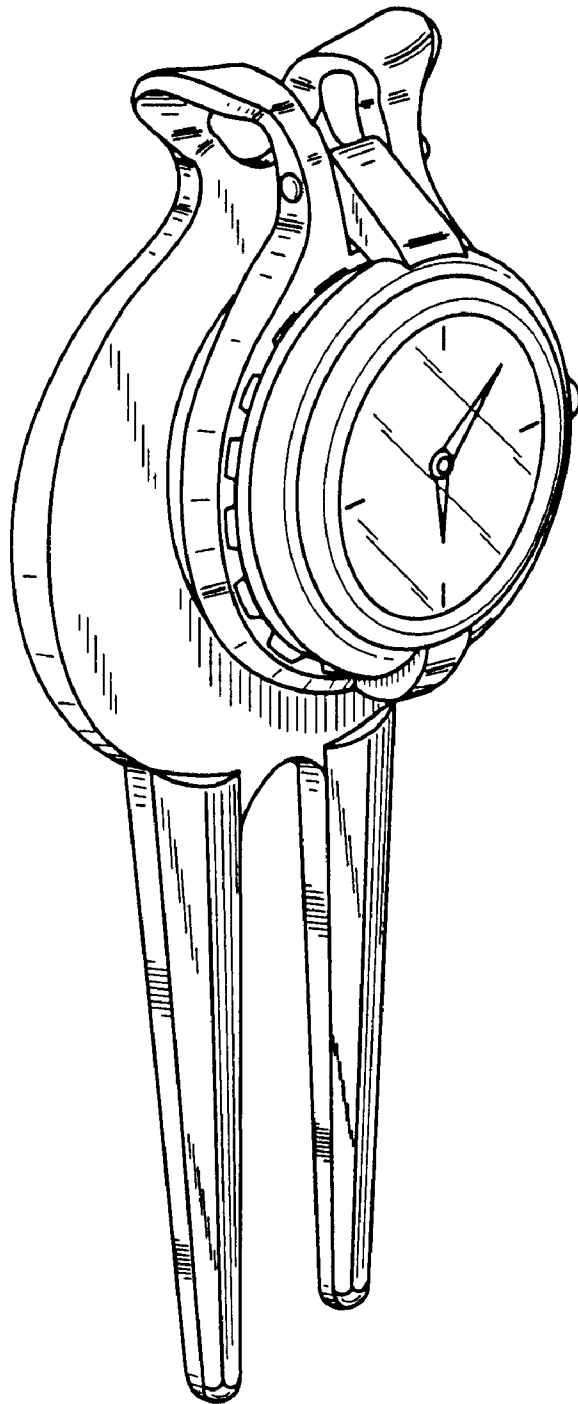


FIG. 3

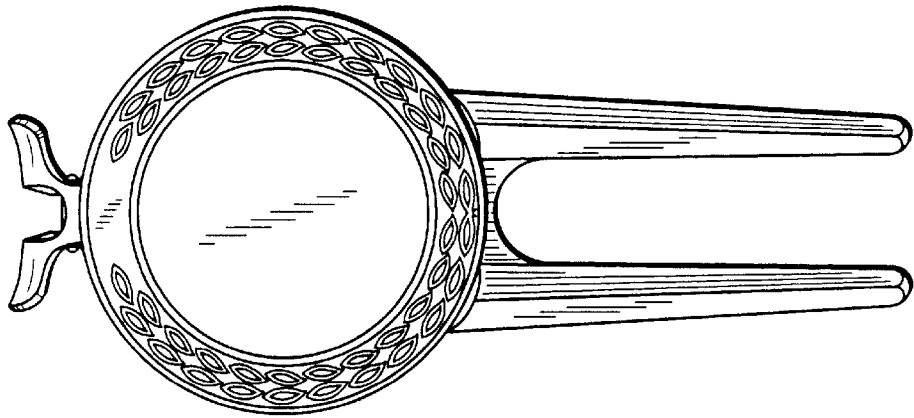


FIG. 2

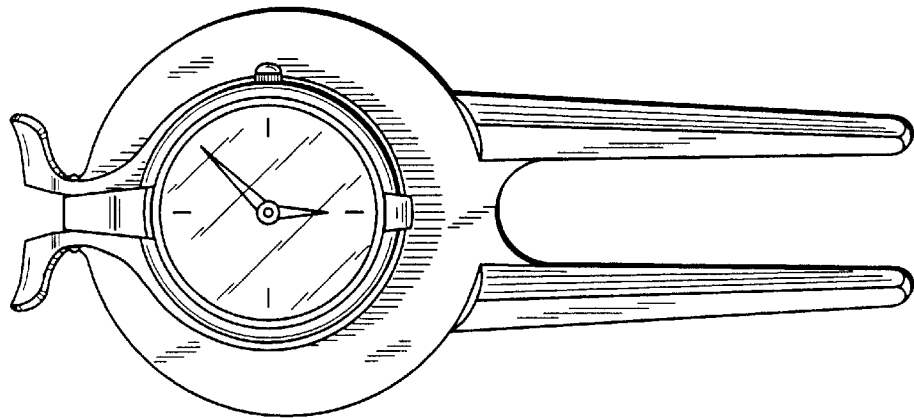


FIG. 4

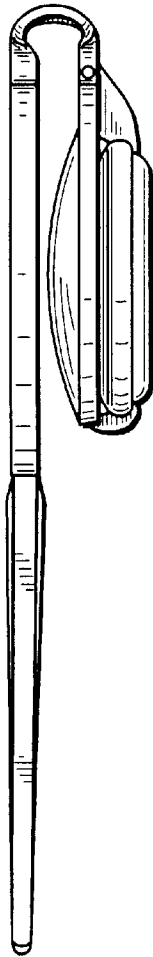


FIG. 5

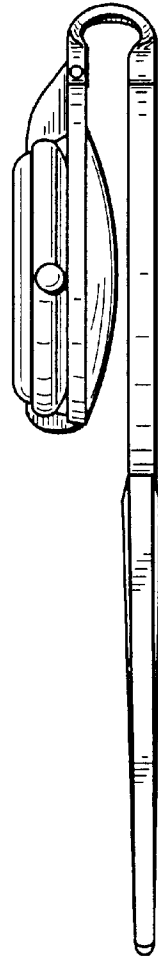


FIG. 6

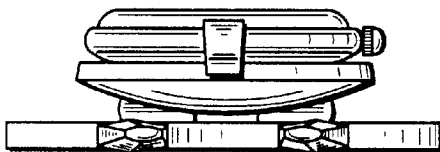


FIG. 7

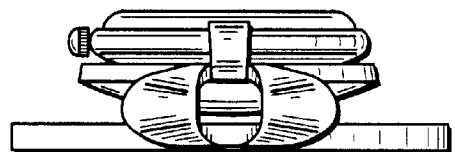


FIG. 8

