



(43) International Publication Date
29 January 2015 (29.01.2015)

(51) International Patent Classification:
A61J 9/00 (2006.01)

(21) International Application Number:

PCT/US2014/047737

(22) International Filing Date:

23 July 2014 (23.07.2014)

(25) Filing Language:

English

(26) Publication Language:

English

(30) Priority Data:

61/858,392

25 July 2013 (25.07.2013)

US

(72) Inventor; and

(71) Applicant : RIDLEY, Robert, J. [US/US]; 1406 Lincolnshire Drive, Maryville, TN 37803 (US).

(74) Agents: ADAMS, Stephen, D. et al.; Luedeka Neely Group, P.C., P.O. Box 1871, Knoxville, TN 37901 (US).

(81) Designated States (unless otherwise indicated, for every kind of national protection available): AE, AG, AL, AM, AO, AT, AU, AZ, BA, BB, BG, BH, BN, BR, BW, BY, BZ, CA, CH, CL, CN, CO, CR, CU, CZ, DE, DK, DM, DO, DZ, EC, EE, EG, ES, FI, GB, GD, GE, GH, GM, GT, HN, HR, HU, ID, IL, IN, IR, IS, JP, KE, KG, KN, KP, KR, KZ, LA, LC, LK, LR, LS, LT, LU, LY, MA, MD, ME, MG, MK, MN, MW, MX, MY, MZ, NA, NG, NI, NO, NZ, OM, PA, PE, PG, PH, PL, PT, QA, RO, RS, RU, RW, SA, SC, SD, SE, SG, SK, SL, SM, ST, SV, SY, TH, TJ, TM,

[Continued on next page]

(54) Title: BOTTLE FEEDING SYSTEM

(57) Abstract: A feeding system for use with both liquids and semi-solids, having a bottle and a spout mountable on the bottle, the spout having an enlarged opening that is suitably sized to accommodate the easy flow of semi-solid foods.



WO 2015/013362 A3

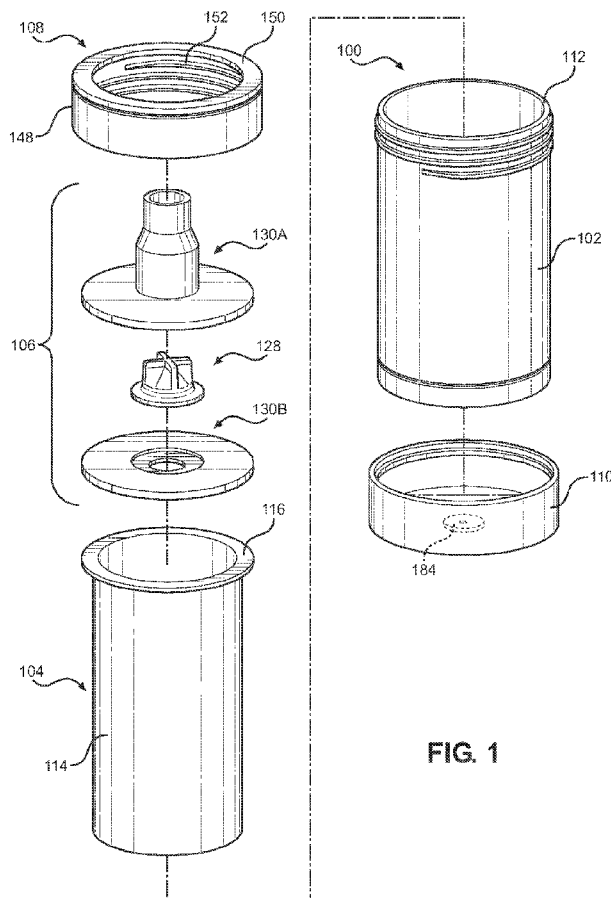


FIG. 1

TN, TR, TT, TZ, UA, UG, US, UZ, VC, VN, ZA, ZM, ZW.

Published:

(84) Designated States (unless otherwise indicated, for every kind of regional protection available): ARIPO (BW, GH, GM, KE, LR, LS, MW, MZ, NA, RW, SD, SL, SZ, TZ, UG, ZM, ZW), Eurasian (AM, AZ, BY, KG, KZ, RU, TJ, TM), European (AL, AT, BE, BG, CH, CY, CZ, DE, DK, EE, ES, FI, FR, GB, GR, HR, HU, IE, IS, IT, LT, LU, LV, MC, MK, MT, NL, NO, PL, PT, RO, RS, SE, SI, SK, SM, TR), OAPI (BF, BJ, CF, CG, CI, CM, GA, GN, GQ, GW, KM, ML, MR, NE, SN, TD, TG).

- with international search report (Art. 21(3))
- before the expiration of the time limit for amending the claims and to be republished in the event of receipt of amendments (Rule 48.2(h))

(88) Date of publication of the international search report:
9 April 2015

INTERNATIONAL SEARCH REPORT

International application No.

PCT/US2014/047737

Box No. II Observations where certain claims were found unsearchable (Continuation of item 2 of first sheet)

This international search report has not been established in respect of certain claims under Article 17(2)(a) for the following reasons:

1. Claims Nos.:
because they relate to subject matter not required to be searched by this Authority, namely:

2. Claims Nos.:
because they relate to parts of the international application that do not comply with the prescribed requirements to such an extent that no meaningful international search can be carried out, specifically:

3. Claims Nos.:
because they are dependent claims and are not drafted in accordance with the second and third sentences of Rule 6.4(a).

Box No. III Observations where unity of invention is lacking (Continuation of item 3 of first sheet)

This International Searching Authority found multiple inventions in this international application, as follows:

See extra sheet.

1. As all required additional search fees were timely paid by the applicant, this international search report covers all searchable claims.
2. As all searchable claims could be searched without effort justifying additional fees, this Authority did not invite payment of additional fees.
3. As only some of the required additional search fees were timely paid by the applicant, this international search report covers only those claims for which fees were paid, specifically claims Nos.:
4. No required additional search fees were timely paid by the applicant. Consequently, this international search report is restricted to the invention first mentioned in the claims; it is covered by claims Nos.:
1-16, 20

Remark on Protest

- The additional search fees were accompanied by the applicant's protest and, where applicable, the payment of a protest fee.
- The additional search fees were accompanied by the applicant's protest but the applicable protest fee was not paid within the time limit specified in the invitation.
- No protest accompanied the payment of additional search fees.

INTERNATIONAL SEARCH REPORT

International application No.
PCT/US2014/047737

A. CLASSIFICATION OF SUBJECT MATTER
 IPC(8) - A61J 9/00 (2015.01)
 CPC - A61J 9/00 (2014.12)
 According to International Patent Classification (IPC) or to both national classification and IPC

B. FIELDS SEARCHED

Minimum documentation searched (classification system followed by classification symbols)
 IPC(8) - A61J 9/00, 9/04, 11/00, 11/02, 11/04 (2015.01)
 CPC - A61J 9/00, 9/04, 11/00, 11/02, 11/04 (2014.12) (keyword delimited)

Documentation searched other than minimum documentation to the extent that such documents are included in the fields searched
 USPC - 137/843; 215/11.1, 11.3, 11.4, 11.6; 220/714

Electronic data base consulted during the international search (name of data base and, where practicable, search terms used)
 Orbit, Google Patents, Google
 Search terms used: insert, liner, valve, flap, one, way, plunger, piston, food, suction, bottle, feed

C. DOCUMENTS CONSIDERED TO BE RELEVANT

Category*	Citation of document, with indication, where appropriate, of the relevant passages	Relevant to claim No.
X	US 4,339,046 A (COEN) 13 July 1982 (13.07.1982) entire document	11, 13-15, 20
A	US 4,842,165 A (VAN CONEY) 27 June 1989 (27.06.1989) entire document	1-16, 20
A	US 2,959,314 A (SANCHEZ) 08 November 1960 (08.11.1960) entire document	1-16, 20
A	EP 0 009 460 A1 (ITOH) 02 April 1980 (02.04.1980) entire document	1-16, 20

Further documents are listed in the continuation of Box C.

* Special categories of cited documents:	
"A" document defining the general state of the art which is not considered to be of particular relevance	"T" later document published after the international filing date or priority date and not in conflict with the application but cited to understand the principle or theory underlying the invention
"E" earlier application or patent but published on or after the international filing date	"X" document of particular relevance; the claimed invention cannot be considered novel or cannot be considered to involve an inventive step when the document is taken alone
"L" document which may throw doubts on priority claim(s) or which is cited to establish the publication date of another citation or other special reason (as specified)	"Y" document of particular relevance; the claimed invention cannot be considered to involve an inventive step when the document is combined with one or more other such documents, such combination being obvious to a person skilled in the art
"O" document referring to an oral disclosure, use, exhibition or other means	"&" document member of the same patent family
"P" document published prior to the international filing date but later than the priority date claimed	

Date of the actual completion of the international search 14 January 2015	Date of mailing of the international search report 29 JAN 2015
--	--

Name and mailing address of the ISA/US Mail Stop PCT, Attn: ISA/US, Commissioner for Patents P.O. Box 1450, Alexandria, Virginia 22313-1450 Facsimile No. 571-273-3201	Authorized officer: Blaine R. Copenheaver PCT Helpdesk: 571-272-4300 PCT OSP: 571-272-7774
---	---

INTERNATIONAL SEARCH REPORT

International application No.

PCT/US2014/047737

CONTINUED FROM BOX NO. III:

This application contains the following inventions or groups of inventions which are not so linked as to form a single general inventive concept under PCT Rule 13.1. In order for all inventions to be examined, the appropriate additional examination fees must be paid.

Group I, claims 1-16, 20, are drawn to a feeding system.

Group II, claims 17-19, are drawn to a storage tray configured to carry a plurality of bottle liners.

The inventions listed as Groups I-II do not relate to a single general inventive concept under PCT Rule 13.1 because, under PCT Rule 13.2, they lack the same or corresponding special technical features for the following reasons: the special technical features of the Group I invention: a feeding system comprising a rigid container, and a food spout, as claimed therein are not present in the invention of Group II. The special technical features of the Group II invention: a tray body having a plurality of cutouts sized and configured to receive a bottle liner, as claimed therein are not present in the invention of Group I.

Groups I and II share the technical features of a bottle liner with a lip. However, these shared technical features do not represent a contribution over the prior art. Specifically, US 2004/0055988 A1 to Renz is in the field of infant feeding and storage system (Abstract) and teaches a bottle liner (20, Para. [0027], Fig. 4) with a lip (28, Para. [0028], Fig. 4).

Since none of the special technical features of the Group I or II inventions are found in more than one of the inventions, unity of invention is lacking.