



US0D1031260S

(12) **United States Design Patent**  
**Chen**

(10) **Patent No.:** **US D1,031,260 S**

(45) **Date of Patent:** **\*\* Jun. 18, 2024**

(54) **COSMETIC CASE**

FOREIGN PATENT DOCUMENTS

(71) Applicant: **Shantou Gangwan Culture Co., Ltd.,**  
Guangdong (CN)

CN	307160973	*	3/2022
CN	307980145	*	4/2023
CN	308148699	*	8/2023

(72) Inventor: **Canhao Chen,** Guangdong (CN)

(\*\*) Term: **15 Years**

OTHER PUBLICATIONS

(21) Appl. No.: **29/861,107**

Kids Makeup Kit for Girl, Babbyo Upgrade 50 pcs Kids Make up Kit . . . Toys—Amazon, Date of Oldest Photo Review Sep. 12, 2023, amazon.com, [online], [site visited Oct. 14, 2023], Available from internet URL <[https://www.amazon.com/dp/B0C33L2LS3?ref\\_cm\\_sw\\_r\\_cp\\_ud\\_dp\\_MH7HQXPM8J3AJQKQ0EZQ](https://www.amazon.com/dp/B0C33L2LS3?ref_cm_sw_r_cp_ud_dp_MH7HQXPM8J3AJQKQ0EZQ)> (Year: 2023).\*

(22) Filed: **Nov. 27, 2022**

(51) **LOC (14) Cl.** ..... **03-01**

(52) **U.S. Cl.**

USPC ..... **D3/295;** D3/294; D3/901; D28/73

(58) **Field of Classification Search**

USPC ..... D3/201, 205, 270, 271.1, 273, 274, 275, D3/276, 283, 284, 286, 291, 294, 295, D3/296, 315, 901, 902, 903; D21/483, D21/507, 643, 645; D28/4, 9, 73, 82, 83, D28/84, 99

CPC ..... A45C 5/005; A45C 11/008; A45D 33/00; A45D 33/006; A45D 33/008; A45D 2200/25; Y10S 206/823; Y10S 220/26

See application file for complete search history.

*Primary Examiner* — Barbara Fox

*Assistant Examiner* — Jane Yoon

(74) *Attorney, Agent, or Firm* — Ying-Ting Chen; Law Office of Michael Chen

(57) **CLAIM**

The ornamental design for a cosmetic case, as shown and described.

**DESCRIPTION**

FIG. 1 is a top, front, left side perspective view showing my new design for a cosmetic case;  
FIG. 2 is a bottom, rear, right side perspective view thereof;  
FIG. 3 is a front elevational view thereof;  
FIG. 4 is a rear elevational view thereof;  
FIG. 5 is a left side elevational view thereof;  
FIG. 6 is a right side elevational view thereof;  
FIG. 7 is a top plan view thereof;  
FIG. 8 is a bottom plan view thereof; and,  
FIG. 9 is a front perspective view thereof, showing the cosmetic case in an opened configuration.  
The broken lines, and the lightened spaces within, shown in FIG. 9, represent portions of the cosmetic case that form no part of the claimed design.

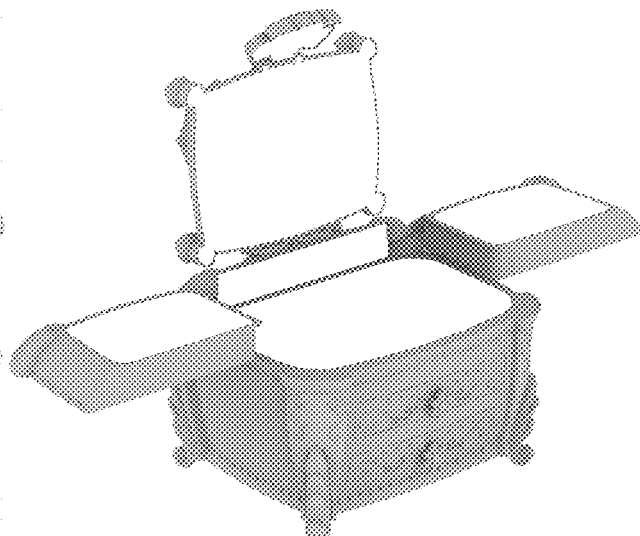
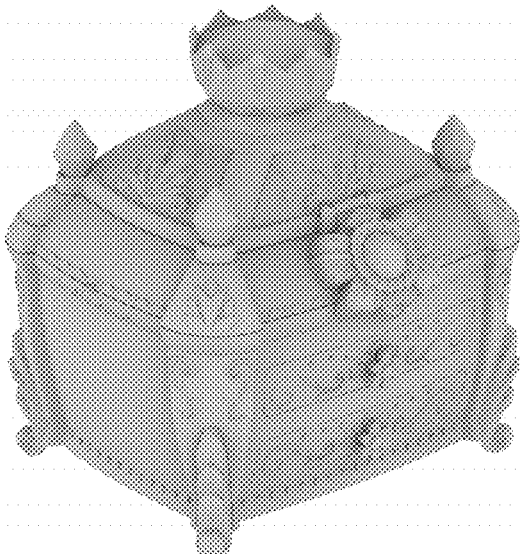
(56) **References Cited**

U.S. PATENT DOCUMENTS

D165,350 S	*	12/1951	Weill	.....	D3/903
D342,697 S	*	12/1993	Delson	.....	D11/157
D364,651 S	*	11/1995	Anderson	.....	D3/294
D583,036 S	*	12/2008	Nanda	.....	D23/356
D752,290 S	*	3/2016	Beilman	.....	D3/901
D868,467 S	*	12/2019	Feng	.....	D3/901
D919,891 S	*	5/2021	Huang	.....	D3/901
D962,546 S	*	8/2022	Fang	.....	D3/901
D963,339 S	*	9/2022	Cai	.....	D3/903
D967,629 S	*	10/2022	Wang	.....	D3/901
D975,443 S	*	1/2023	Lin	.....	D3/901
D975,444 S	*	1/2023	Wang	.....	D3/901
D985,270 S	*	5/2023	Liu	.....	D3/901
D986,593 S	*	5/2023	Fang	.....	D3/273

(Continued)

**1 Claim, 9 Drawing Sheets**



(56)

**References Cited**

U.S. PATENT DOCUMENTS

D999,840	S	*	9/2023	Chen	.....	D28/80
D1,001,908	S	*	10/2023	Chen	.....	D21/519
D1,004,961	S	*	11/2023	Xie	.....	D3/901
D1,005,407	S	*	11/2023	Chen	.....	D21/483
D1,007,860	S	*	12/2023	Chen	.....	D3/276

\* cited by examiner

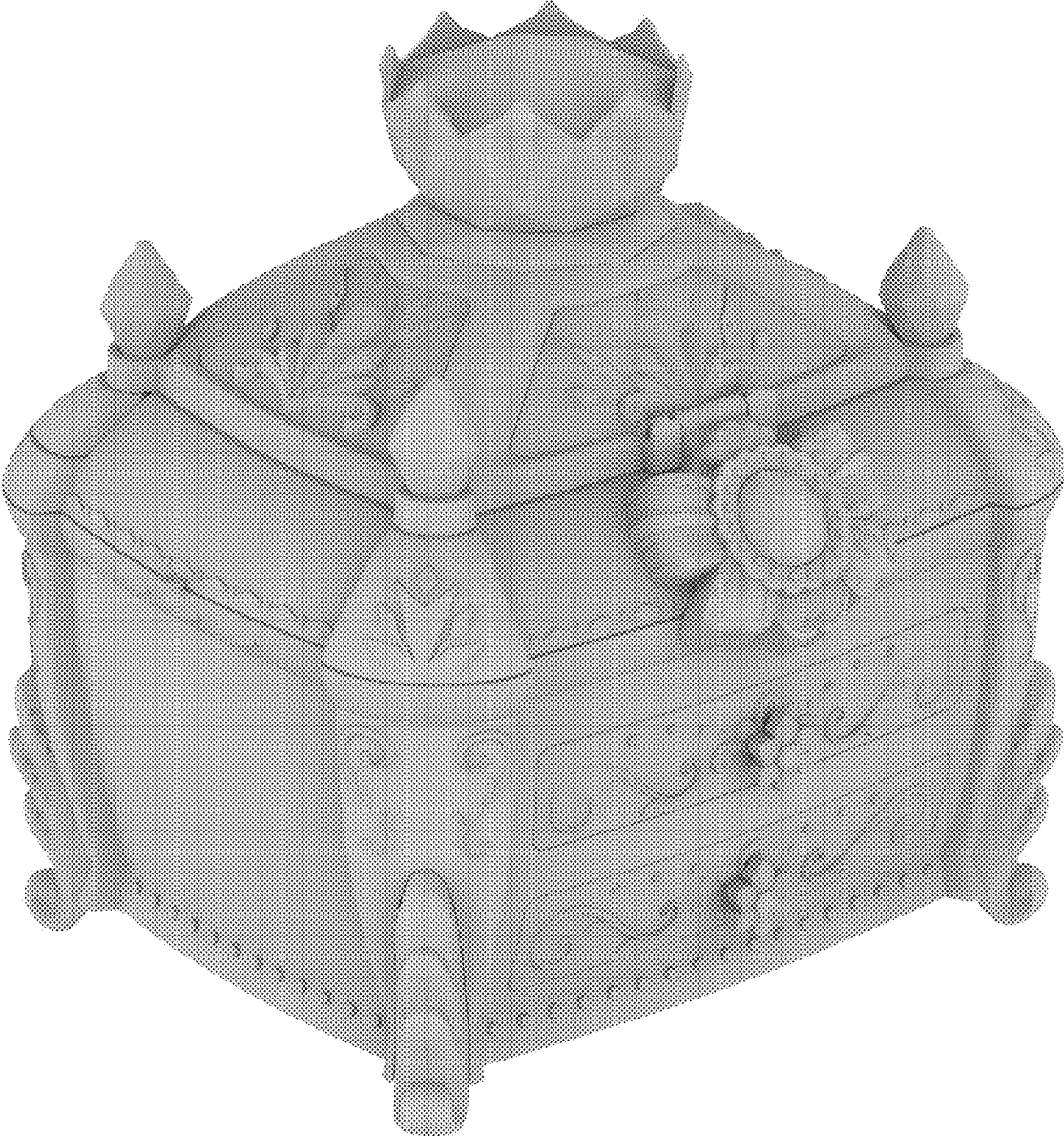


FIG. 1



FIG. 2



FIG. 3



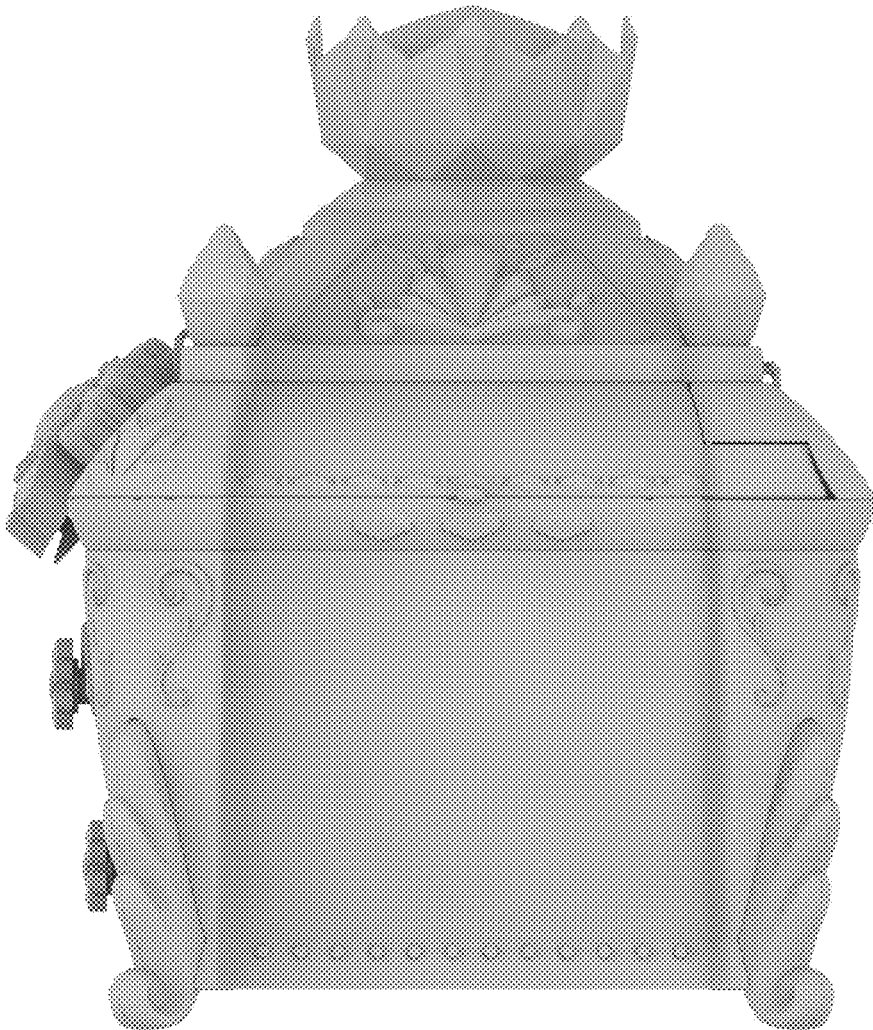
---

FIG. 4



---

FIG. 5



---

FIG. 6

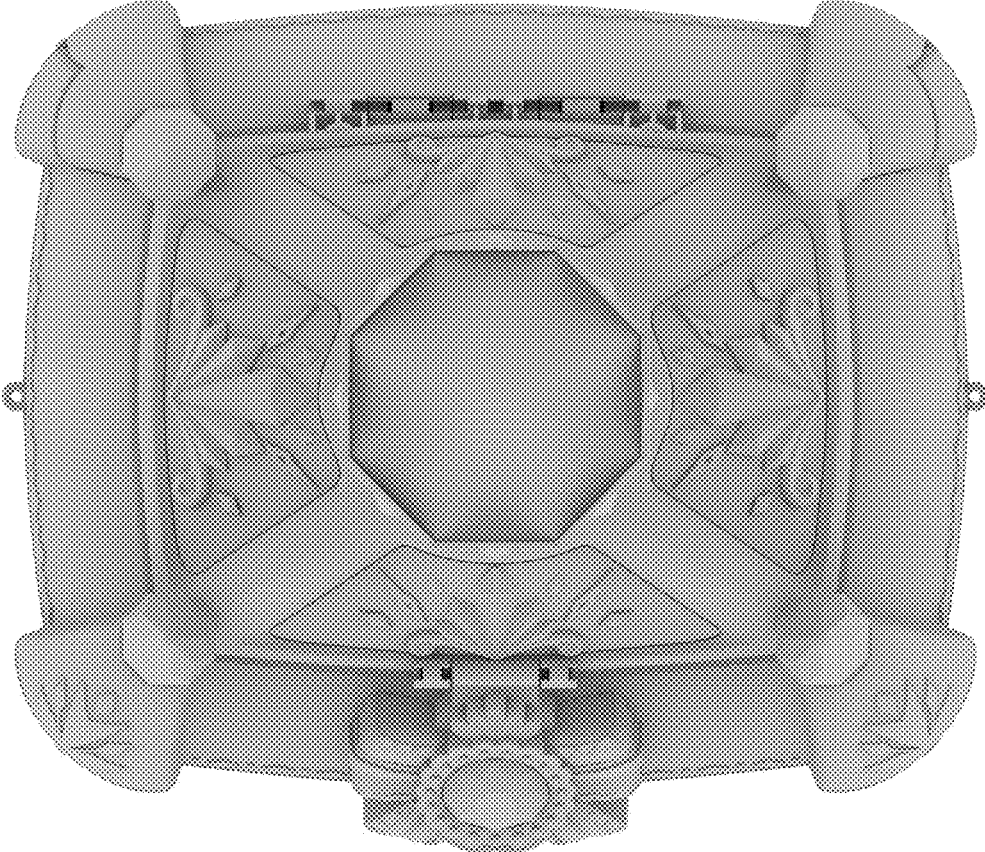


FIG. 7

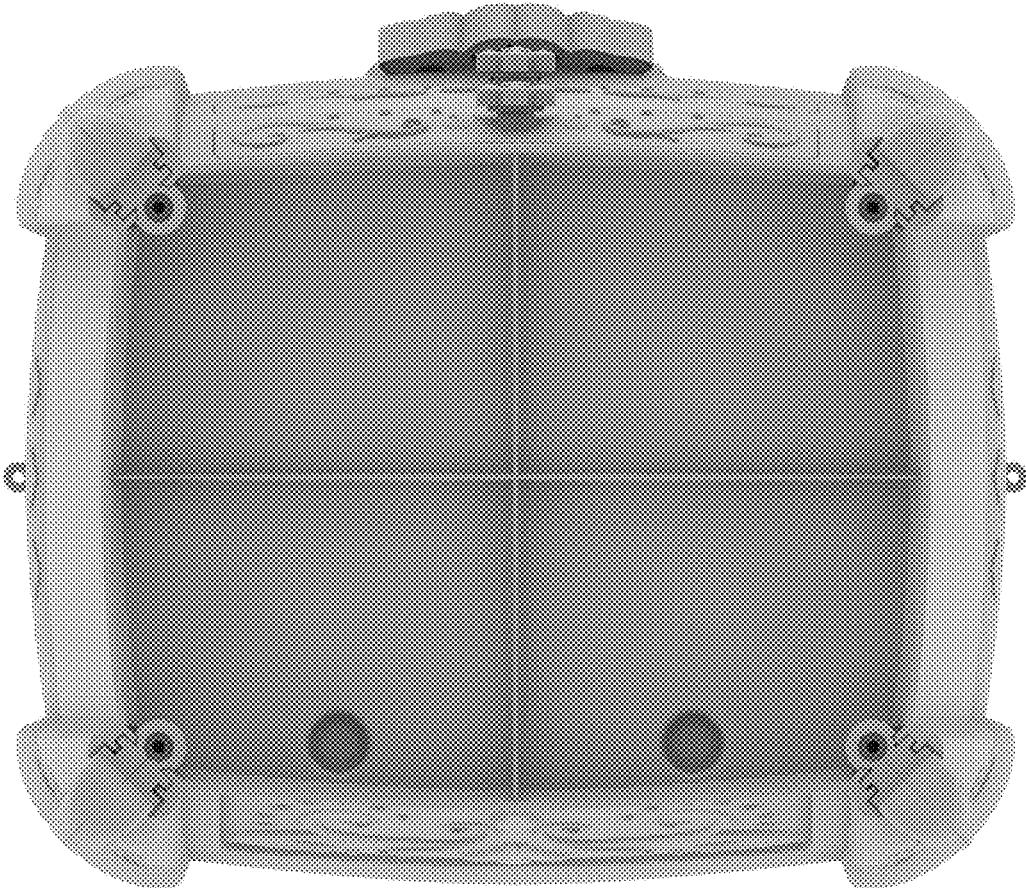


FIG. 8

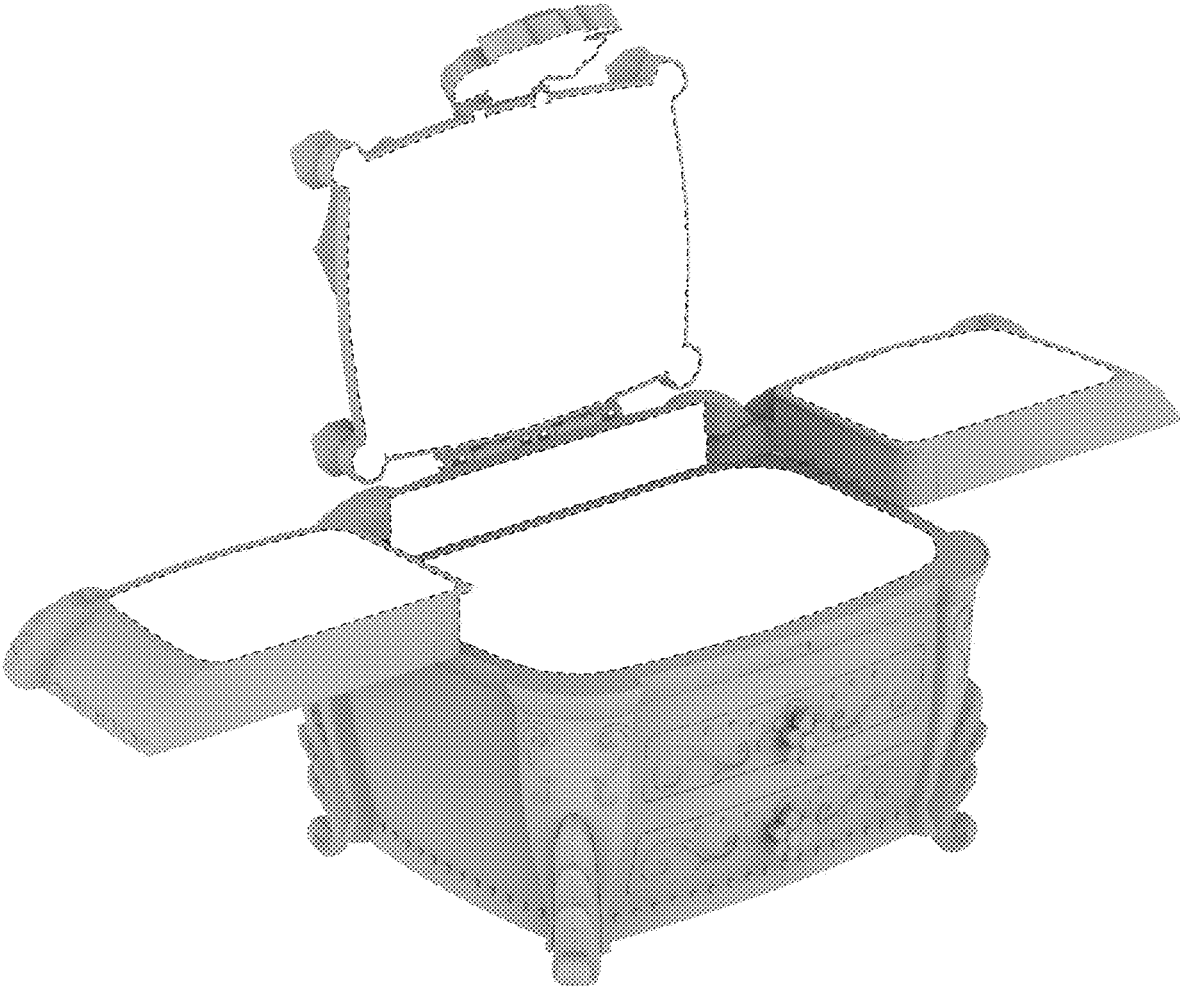


FIG. 9