



US00D354530S

United States Patent [19] Nagel

[11] Patent Number: **Des. 354,530**

[45] Date of Patent: **** Jan. 17, 1995**

[54] **TOY DRILL**

[75] Inventor: **Dietmar Nagel, Chester, N.J.**

[73] Assignee: **Azrak-Hamway International Inc.,
New York, N.Y.**

[**] Term: **14 Years**

[21] Appl. No.: **4,501**

[22] Filed: **Feb. 5, 1993**

[52] U.S. Cl. **D21/120**

[58] Field of Search **D21/120, 109, 59;
D8/61, 62, 64, 68; 446/144, 145**

[56] **References Cited**

U.S. PATENT DOCUMENTS

- D. 262,473 12/1981 Wildman D8/68
- D. 262,559 1/1982 Klawitter D21/120
- D. 295,141 4/1988 Hoshino D8/68

- D. 327,619 7/1992 Tsai D8/68
- D. 333,960 3/1993 Somers D8/68
- D. 335,073 4/1993 Anthony D8/68
- 2,829,285 4/1958 Steiner 446/145

Primary Examiner—Bernard Ansher
Assistant Examiner—R. Barkai
Attorney, Agent, or Firm—Amster Rothstein &
Ebenstein

[57] CLAIM

The ornamental design for a toy drill, as shown and described.

DESCRIPTION

FIG. 1 is a perspective view thereof;
FIG. 2 is a rear elevational view thereof;
FIG. 3 is a bottom plan view thereof;
FIG. 4 is a left side elevational view thereof;
FIG. 5 is a front elevational view thereof; and,
FIG. 6 is a top plan view thereof.

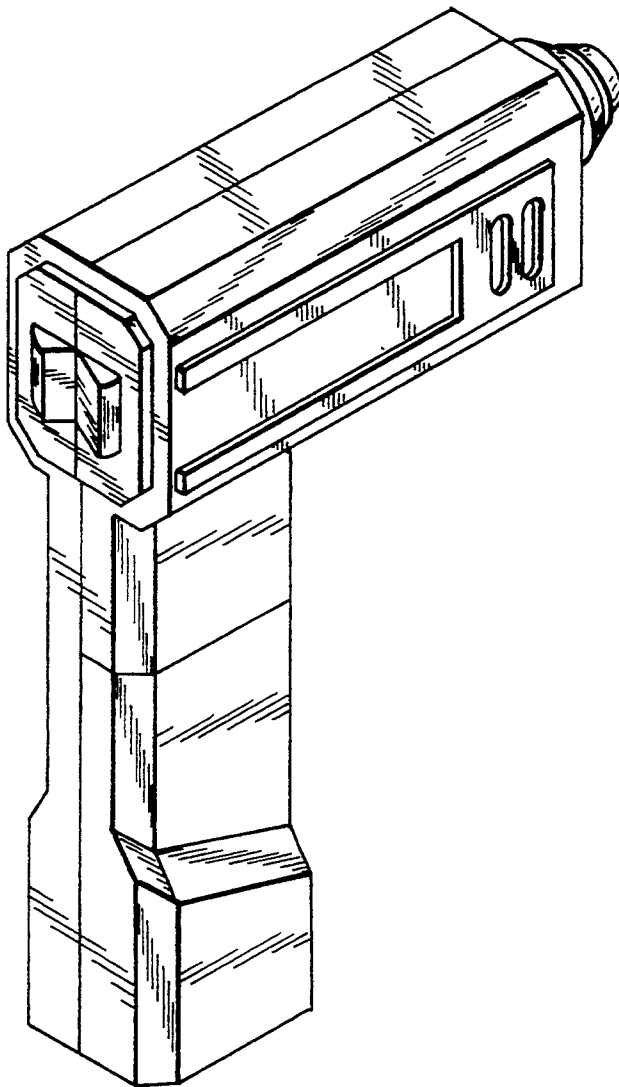


FIG. 1

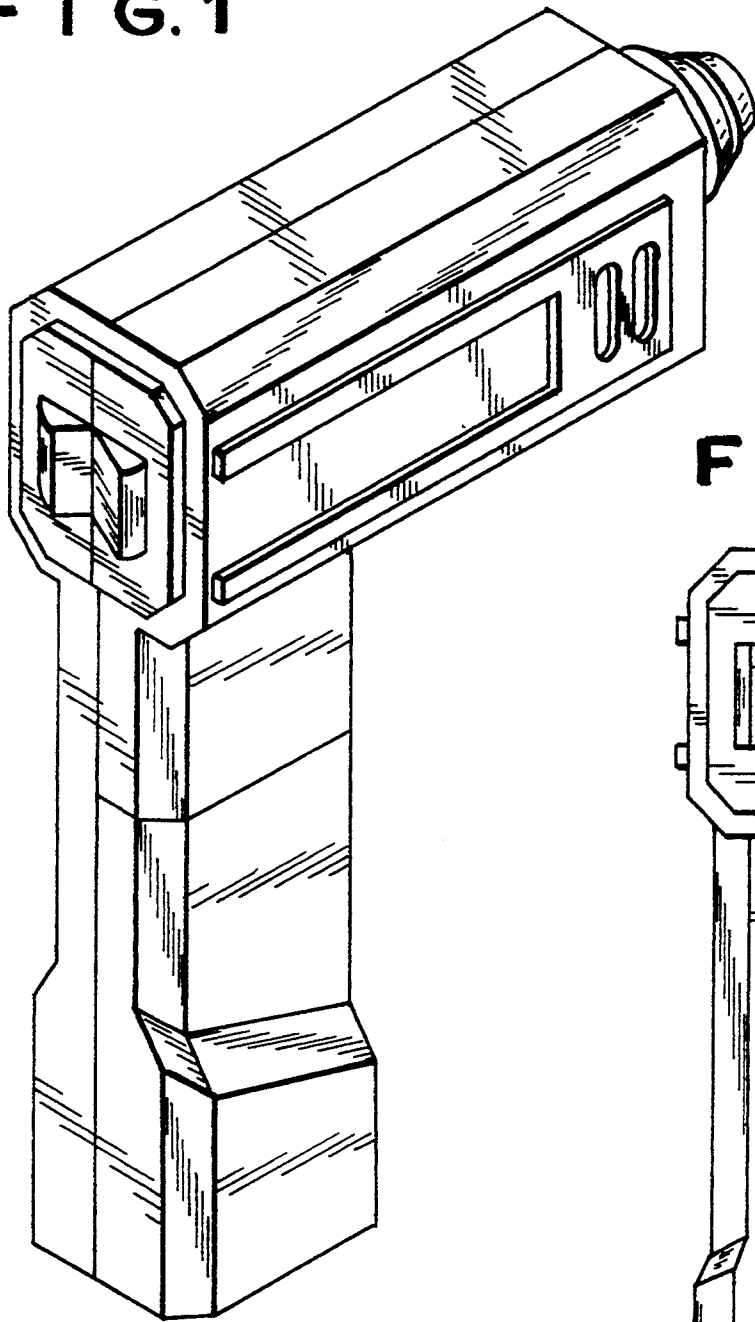


FIG. 2

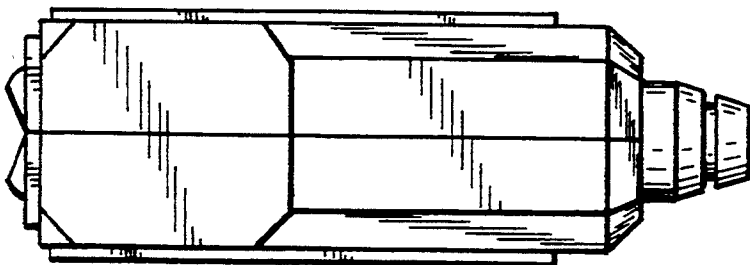
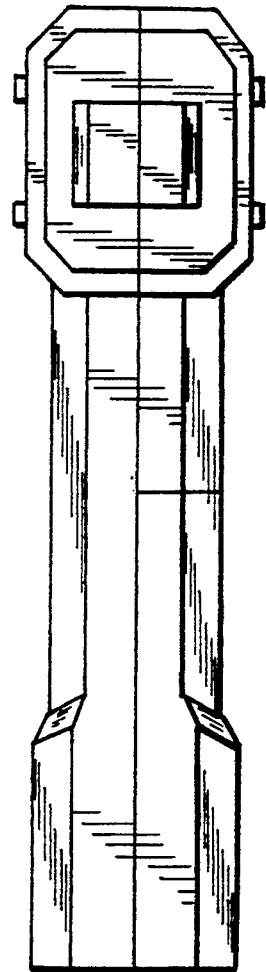


FIG. 3

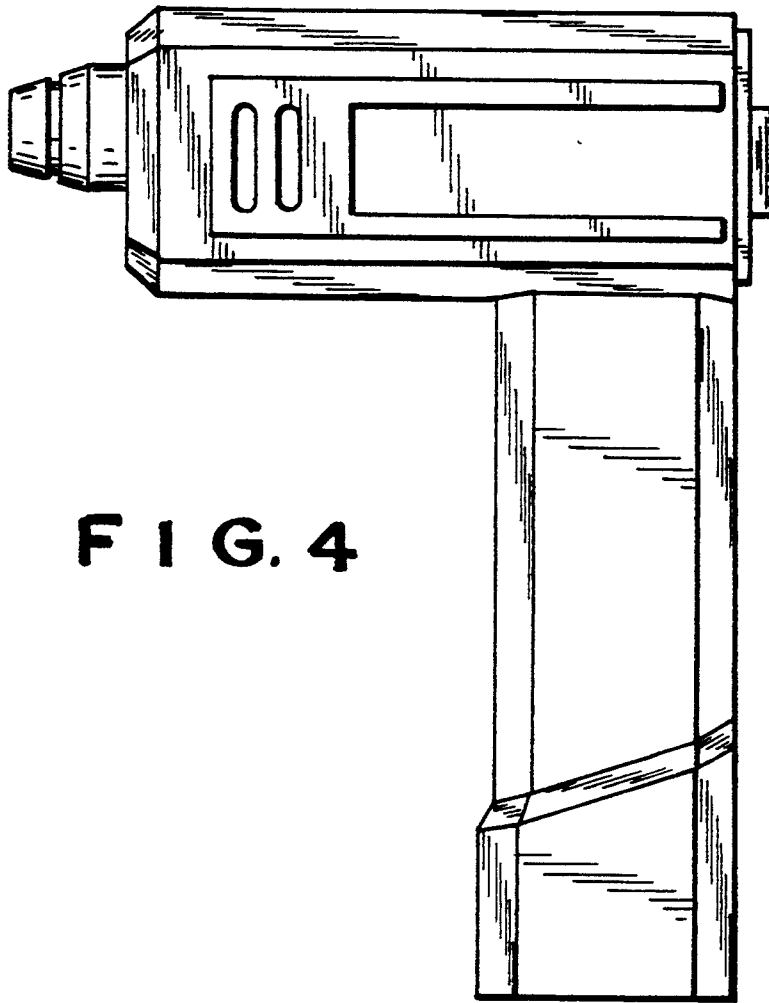


FIG. 4

FIG. 5

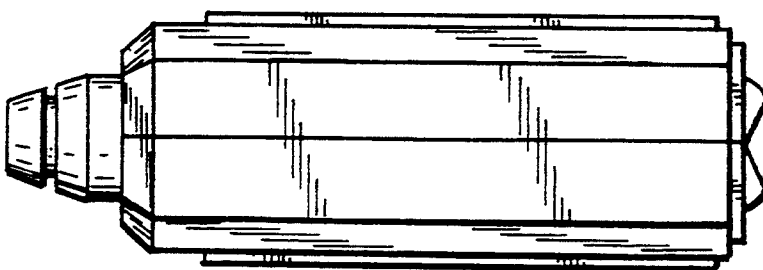
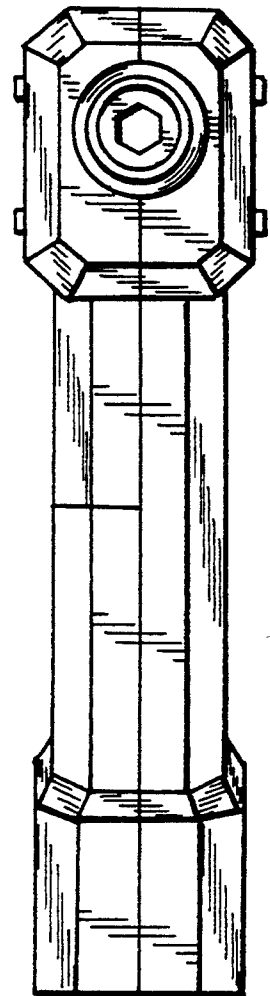


FIG. 6