

(19) World Intellectual Property Organization
International Bureau



(43) International Publication Date
27 December 2002 (27.12.2002)

PCT

(10) International Publication Number
WO 2002/102425 A3

(51) International Patent Classification:
A61L 15/60 (2006.01) A61F 13/02 (2006.01)

(21) International Application Number:
PCT/IB2002/000457

(22) International Filing Date:
15 February 2002 (15.02.2002)

(25) Filing Language: English

(26) Publication Language: English

(30) Priority Data:
2001/5043 20 June 2001 (20.06.2001) ZA

(81) Designated States (*national*): AE, AG, AL, AM, AT, AU, AZ, BA, BB, BG, BR, BY, BZ, CA, CH, CN, CO, CR, CU, CZ, DE, DK, DM, DZ, EC, EE, ES, FI, GB, GD, GE, GH, GM, HR, HU, ID, IL, IN, IS, JP, KE, KG, KP, KR, KZ, LC, LK, LR, LS, LT, LU, LV, MA, MD, MG, MK, MN, MW, MX, MZ, NO, NZ, OM, PH, PL, PT, RO, RU, SD, SE, SG, SI, SK, SL, TJ, TM, TN, TR, TT, TZ, UA, UG, US, UZ, VN, YU, ZA, ZM, ZW.

(84) Designated States (*regional*): ARIPO patent (GH, GM, KE, LS, MW, MZ, SD, SL, SZ, TZ, UG, ZM, ZW), Eurasian patent (AM, AZ, BY, KG, KZ, MD, RU, TJ, TM), European patent (AT, BE, CH, CY, DE, DK, ES, FI, FR, GB, GR, IE, IT, LU, MC, NL, PT, SE, TR), OAPI patent (BF, BJ, CF, CG, CI, CM, GA, GN, GQ, GW, ML, MR, NE, SN, TD, TG).

Published:
— with international search report

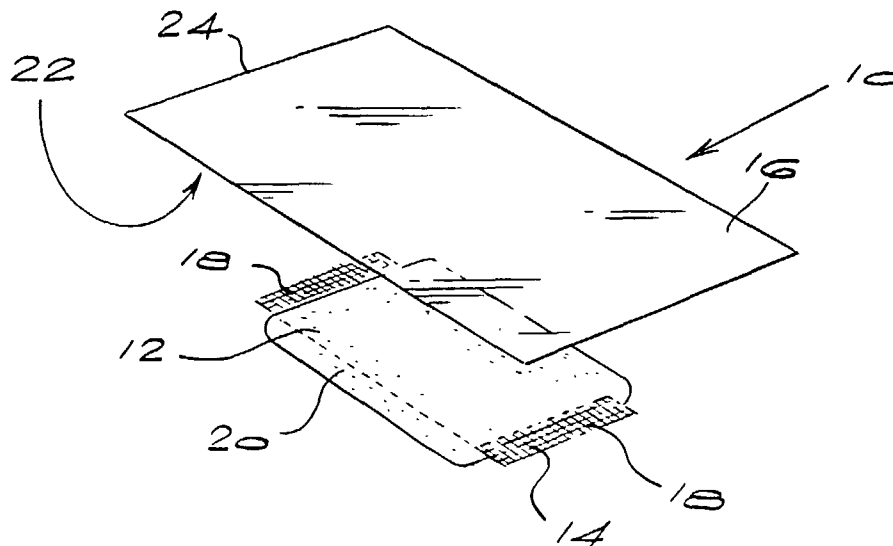
(88) Date of publication of the international search report:
8 November 2007

For two-letter codes and other abbreviations, refer to the "Guidance Notes on Codes and Abbreviations" appearing at the beginning of each regular issue of the PCT Gazette.

(71) Applicants and
(72) Inventors: SPYROPOULOS, Panayiotis, Spyros [ZA/ZA]; 701 Hillside Village, 9th Street, 2193 Killarney (ZA). SPYROPOULOS, Sophia, Maria [ZA/ZA]; 701 Hillside Village, 9th Street, 2193 Killarney (ZA).

(74) Agents: GILSON, David, Grant et al.; Spoor and Fisher, PO Box 41312, 2024 Craighall (ZA).

(54) Title: COMPOUND HYDROGEL WOUND DRESSING



(57) Abstract: The compound hydrogel wound dressing of the invention consists of an absorbent hydrogel layer, a mesh or scrim embedded in the hydrogel layer and an oxygen- and vapour-permeable outer or backing layer arranged to overlie the mesh reinforced hydrogel layer in use. The mesh includes winglets which extend beyond the peripheral boundary of the hydrogel layer. The under-surface of the outer layer is coated, either adjacent the periphery of the outer layer or over the entire surface, with a medical-grade, hypoallergenic pressure-sensitive adhesive. The arrangement is such that when the mesh reinforced hydrogel layer is applied over a wound the winglets of the mesh adhere to the coated underside of the backing layer. When the wound dressing is to be removed, the backing layer is peeled away from the patient's skin, drawing the mesh and hydrogel layer away from the wound.

WO 2002/102425 A3

INTERNATIONAL SEARCH REPORT

International Application No

PCT/IB 02/00457

A. CLASSIFICATION OF SUBJECT MATTER
 IPC 7 A61L15/60 A61F13/02

According to International Patent Classification (IPC) or to both national classification and IPC

B. FIELDS SEARCHED

Minimum documentation searched (classification system followed by classification symbols)
 IPC 7 A61L A61F

Documentation searched other than minimum documentation to the extent that such documents are included in the fields searched

Electronic data base consulted during the international search (name of data base and, where practical, search terms used)

EPO-Internal, WPI Data, PAJ

C. DOCUMENTS CONSIDERED TO BE RELEVANT

Category °	Citation of document, with indication, where appropriate, of the relevant passages	Relevant to claim No.
X	EP 0 610 956 A (FUJI ELECTRIC CO LTD) 17 August 1994 (1994-08-17) claims; figures ---	1-14
X	EP 0 455 324 A (NDM ACQUISITION CORP) 6 November 1991 (1991-11-06) claims; figures ---	1-14
X	US 5 489 262 A (CARTMELL JAMES V ET AL) 6 February 1996 (1996-02-06) claims; figures ---	1-14
X	EP 1 099 447 A (HANITA LENSES) 16 May 2001 (2001-05-16) claims ---	1,14
	-/--	

Further documents are listed in the continuation of box C.

Patent family members are listed in annex.

° Special categories of cited documents :

- *A* document defining the general state of the art which is not considered to be of particular relevance
- *E* earlier document but published on or after the international filing date
- *L* document which may throw doubts on priority claim(s) or which is cited to establish the publication date of another citation or other special reason (as specified)
- *O* document referring to an oral disclosure, use, exhibition or other means
- *P* document published prior to the international filing date but later than the priority date claimed

- *T* later document published after the international filing date or priority date and not in conflict with the application but cited to understand the principle or theory underlying the invention
- *X* document of particular relevance; the claimed invention cannot be considered novel or cannot be considered to involve an inventive step when the document is taken alone
- *Y* document of particular relevance; the claimed invention cannot be considered to involve an inventive step when the document is combined with one or more other such documents, such combination being obvious to a person skilled in the art.
- *&* document member of the same patent family

Date of the actual completion of the international search

25 July 2002

Date of mailing of the international search report

05/08/2002

Name and mailing address of the ISA

European Patent Office, P.B. 5818 Patentlaan 2
 NL - 2280 HV Rijswijk
 Tel. (+31-70) 340-2040, Tx. 31 651 epo nl,
 Fax: (+31-70) 340-3016

Authorized officer

ESPINOSA, M

INTERNATIONAL SEARCH REPORT

International Application No

PCT/IB 02/00457

C.(Continuation) DOCUMENTS CONSIDERED TO BE RELEVANT

Category °	Citation of document, with indication, where appropriate, of the relevant passages	Relevant to claim No.
X	US 5 527 271 A (SHAH KISHORE R ET AL) 18 June 1996 (1996-06-18) claims; examples ---	1, 14
X	WO 97 41900 A (GILDING DENIS KEITH ; INNOVATIVE TECH LTD (GB); QIN YIMIN (GB)) 13 November 1997 (1997-11-13) claims ---	1, 14
X	US 5 489 437 A (MARRA JOSEPH V) 6 February 1996 (1996-02-06) claims ---	1, 14
A	EP 0 426 422 A (NDM ACQUISITION CORP) 8 May 1991 (1991-05-08) claims; figures ---	1-14
A	WO 00 12100 A (BALLARD MED PROD) 9 March 2000 (2000-03-09) claims -----	1-14

INTERNATIONAL SEARCH REPORT

International Application No

PCT/IB 02/00457

Patent document cited in search report		Publication date	Patent family member(s)	Publication date
EP 0610956	A	17-08-1994	JP 3044961 B2	22-05-2000
			JP 6235702 A	23-08-1994
			EP 0610956 A2	17-08-1994
			US 5453612 A	26-09-1995
EP 0455324	A	06-11-1991	US 5115801 A	26-05-1992
			AT 123402 T	15-06-1995
			AU 620750 B2	20-02-1992
			AU 7026991 A	07-11-1991
			CA 2035490 A1	03-11-1991
			DE 69110193 D1	13-07-1995
			DE 69110193 T2	19-10-1995
			EP 0455324 A1	06-11-1991
			JP 1988560 C	08-11-1995
			JP 4227259 A	17-08-1992
			JP 7024671 B	22-03-1995
			NZ 237005 A	28-04-1993
			US 5204110 A	20-04-1993
US 5489262	A	06-02-1996	US 5423737 A	13-06-1995
			AU 667766 B2	04-04-1996
			AU 5644794 A	08-12-1994
			CA 2119731 A1	28-11-1994
			EP 0630629 A1	28-12-1994
			JP 2604542 B2	30-04-1997
			JP 7088131 A	04-04-1995
			NZ 250994 A	26-09-1995
			US 5476443 A	19-12-1995
			US 5501661 A	26-03-1996
EP 1099447	A	16-05-2001	EP 1099447 A2	16-05-2001
US 5527271	A	18-06-1996	AU 706203 B2	10-06-1999
			AU 2129995 A	23-10-1995
			CA 2186726 A1	12-10-1995
			EP 0752840 A1	15-01-1997
			JP 9511168 T	11-11-1997
			NZ 283286 A	26-08-1998
			WO 9526699 A1	12-10-1995
			ZA 9502528 A	30-09-1996
WO 9741900	A	13-11-1997	AU 2707197 A	26-11-1997
			EP 0901382 A1	17-03-1999
			WO 9741900 A1	13-11-1997
			JP 2000510718 T	22-08-2000
			US 2002009591 A1	24-01-2002
US 5489437	A	06-02-1996	WO 9505417 A1	23-02-1995
EP 0426422	A	08-05-1991	US 5059424 A	22-10-1991
			AT 114975 T	15-12-1994
			AU 627942 B2	03-09-1992
			AU 6491190 A	09-05-1991
			CA 2028528 A1	02-05-1991
			DE 69014835 D1	19-01-1995
			DE 69014835 T2	04-05-1995
			DK 426422 T3	13-02-1995
			EP 0426422 A2	08-05-1991

INTERNATIONAL SEARCH REPORT

International Application No

PCT/IB 02/00457

Patent document cited in search report		Publication date	Patent family member(s)	Publication date
EP 0426422	A		ES 2064662 T3	01-02-1995
			JP 3207357 A	10-09-1991
			JP 8024695 B	13-03-1996
			NZ 235814 A	27-01-1993
			US 5112618 A	12-05-1992
			ZA 9008655 A	28-08-1991
<hr/>				
WO 0012100	A	09-03-2000	US 6039940 A	21-03-2000
			AU 5785099 A	21-03-2000
			EP 1123104 A1	16-08-2001
			WO 0012100 A1	09-03-2000
<hr/>				