



US00D395270S

United States Patent [19]

Baumgartner et al.

[11] Patent Number: **Des. 395,270**

[45] Date of Patent: ****Jun. 16, 1998**

[54] **VEHICLE WHEEL FACE**
[75] Inventors: **Heinrich Baumgartner**, Schiltach;
Ewald Frick, Alpirsbach, both of
Germany

[73] Assignee: **BBS Kraftfahrzeugtechnik AG**,
Schiltach, Germany

[**] Term: **14 Years**

[21] Appl. No.: **41,311**

[22] Filed: **Jul. 11, 1995**

[30] **Foreign Application Priority Data**

Jan. 13, 1995 [XH] Hague Agreement DMA 002750

[51] **LOC (6) Cl.** **12-16**

[52] **U.S. Cl.** **D12/211**

[58] **Field of Search** D12/204-212;
301/64.1, 65, 63.1

[56] **References Cited**

U.S. PATENT DOCUMENTS

D. 348,243 6/1994 Echazabal et al. D12/211

D. 350,932 9/1994 Echazabel et al. D12/211
D. 353,571 12/1994 Braungart et al. D12/211

OTHER PUBLICATIONS

1994 Custom Wheel & Tire Style Guide, p. 13, See "GP-O",
p. 14, See RN Design and RA Design, and p. 35, See P.278
and P.279.

Primary Examiner—Jeffrey Asch
Assistant Examiner—Stacia Sinuik
Attorney, Agent, or Firm—Dick and Harris

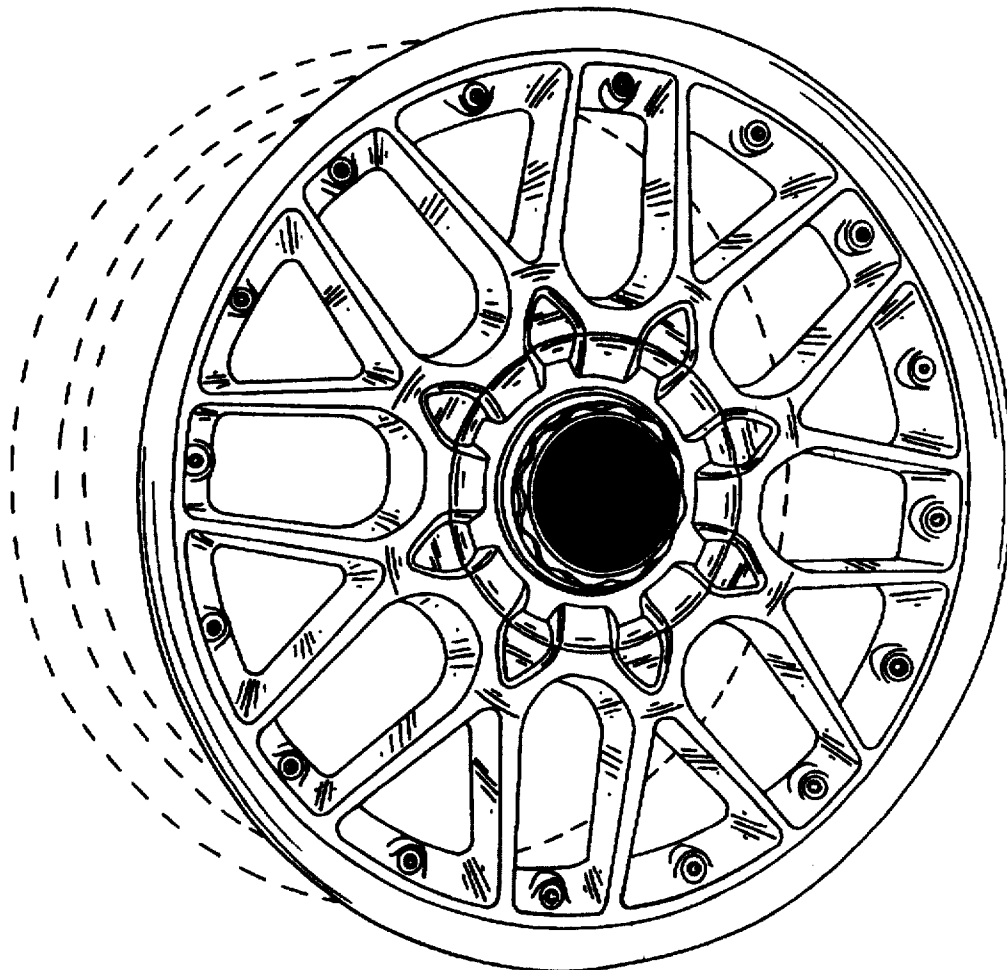
[57] **CLAIM**

The ornamental design for vehicle wheel face, as shown and
described.

DESCRIPTION

FIG. 1 is a front perspective view of the vehicle wheel face
having our new ornamental design;
FIG. 2 is a front elevation thereof;
FIG. 3 is an enlarged fragmentary perspective view thereof;
FIG. 4 is a further enlarged perspective view thereof;
FIG. 5 is a front enlarged fragmentary view thereof; and,
FIG. 6 is another front enlarged fragmentary view thereof.

1 Claim, 6 Drawing Sheets



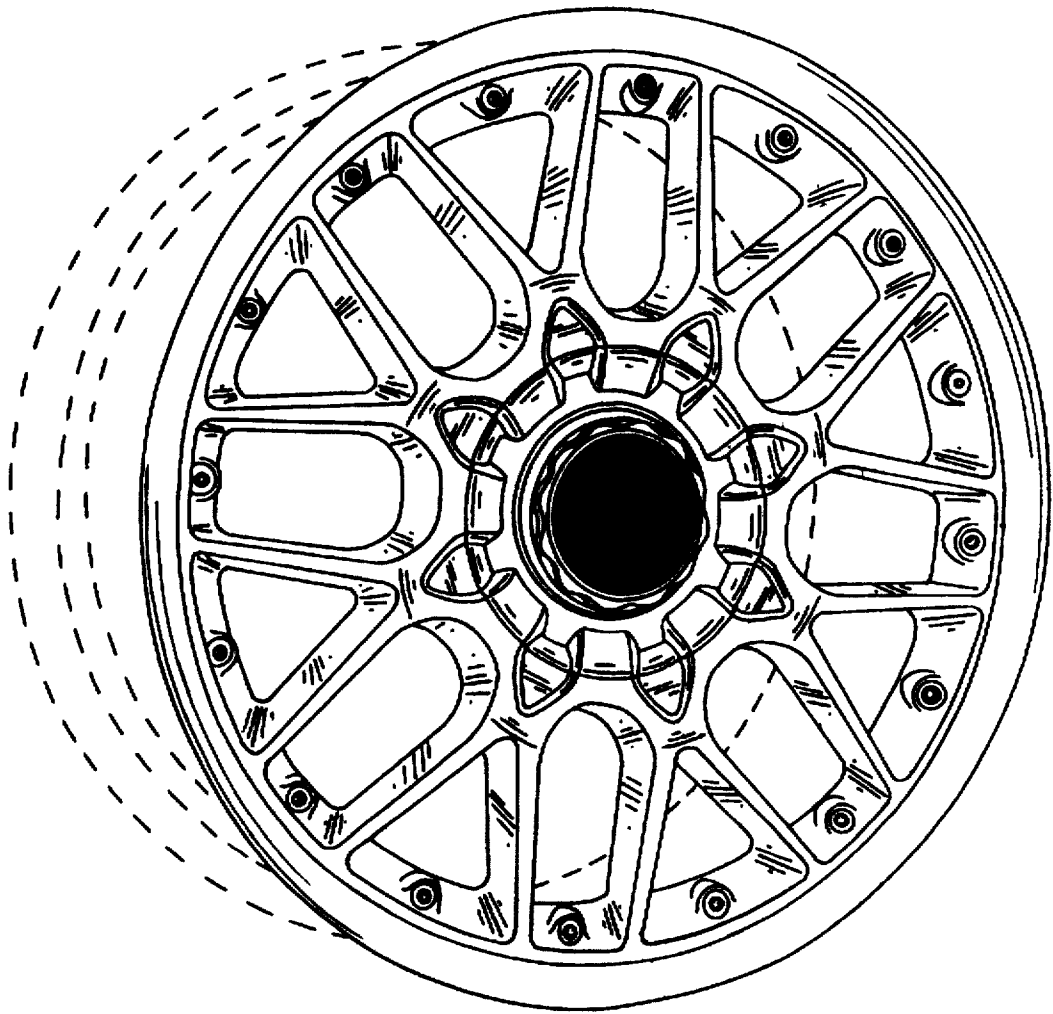


FIG. 1

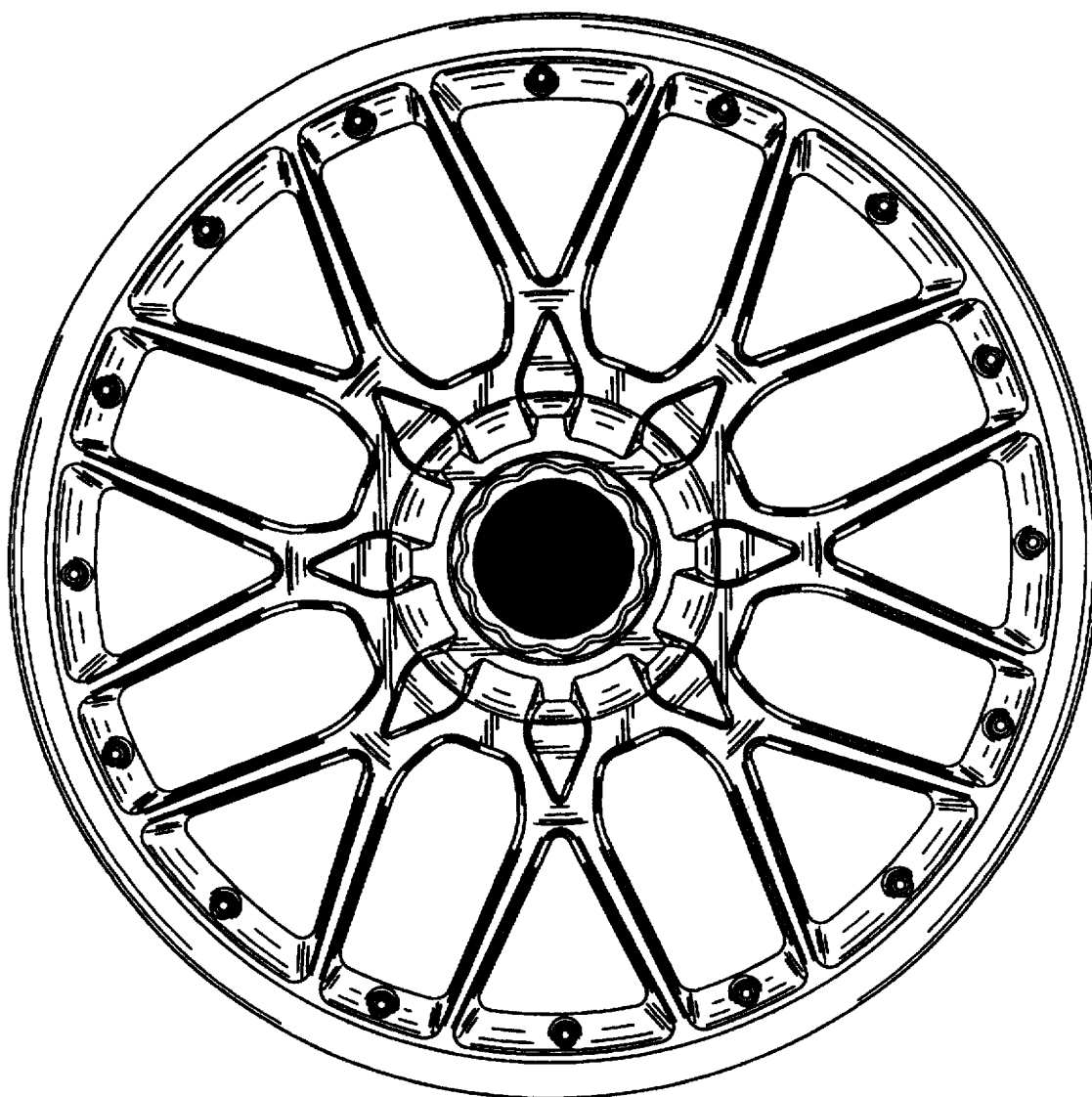


FIG. 2

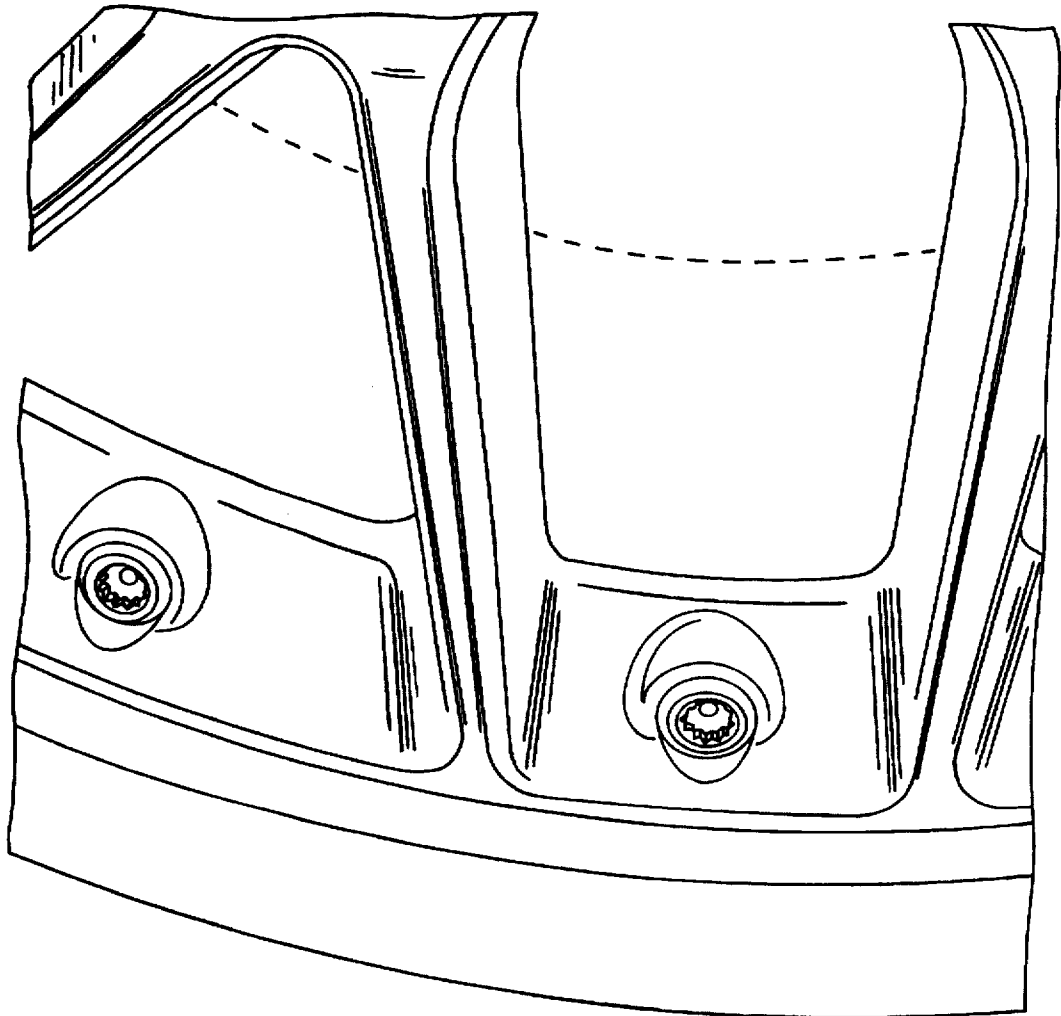


FIG. 3

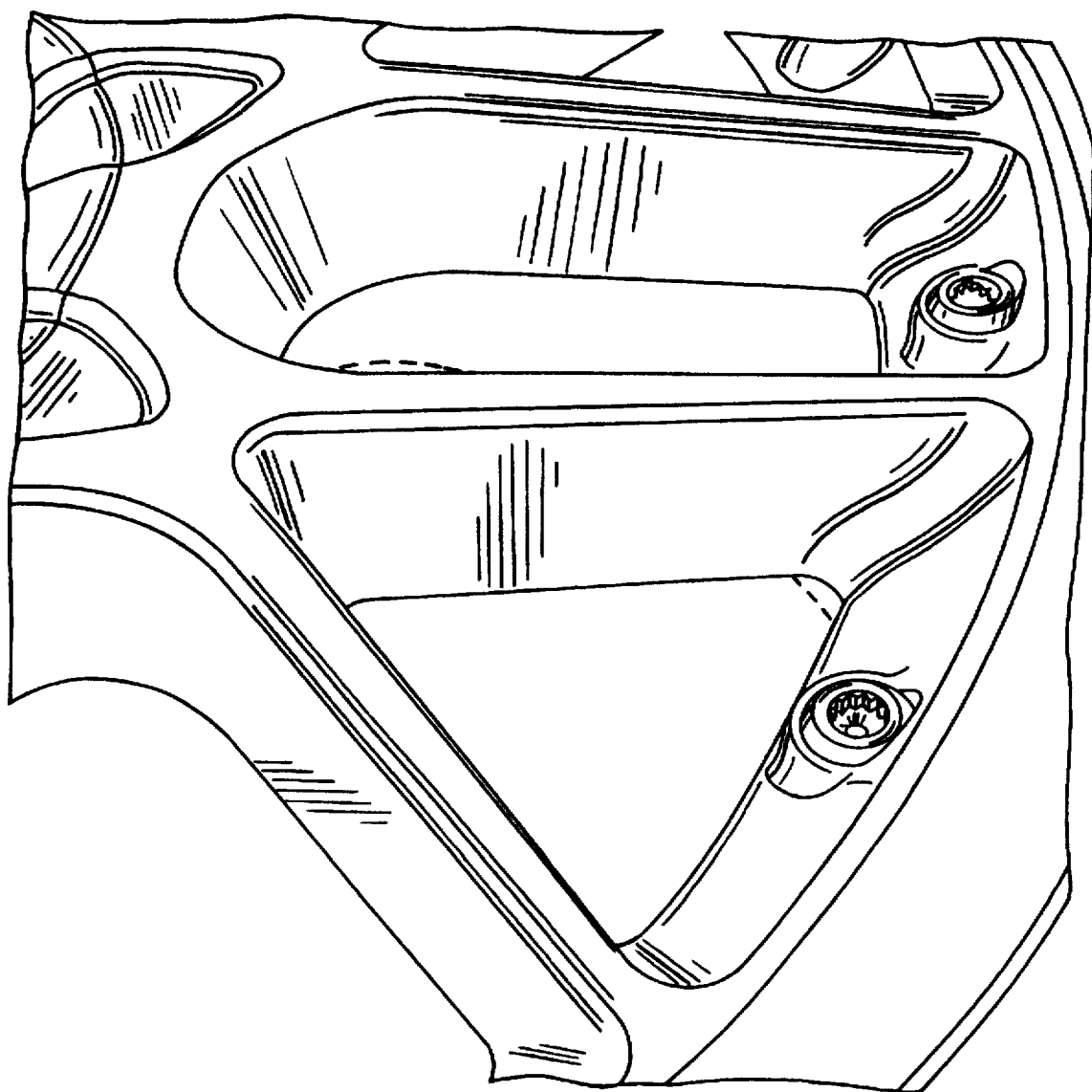


FIG. 4

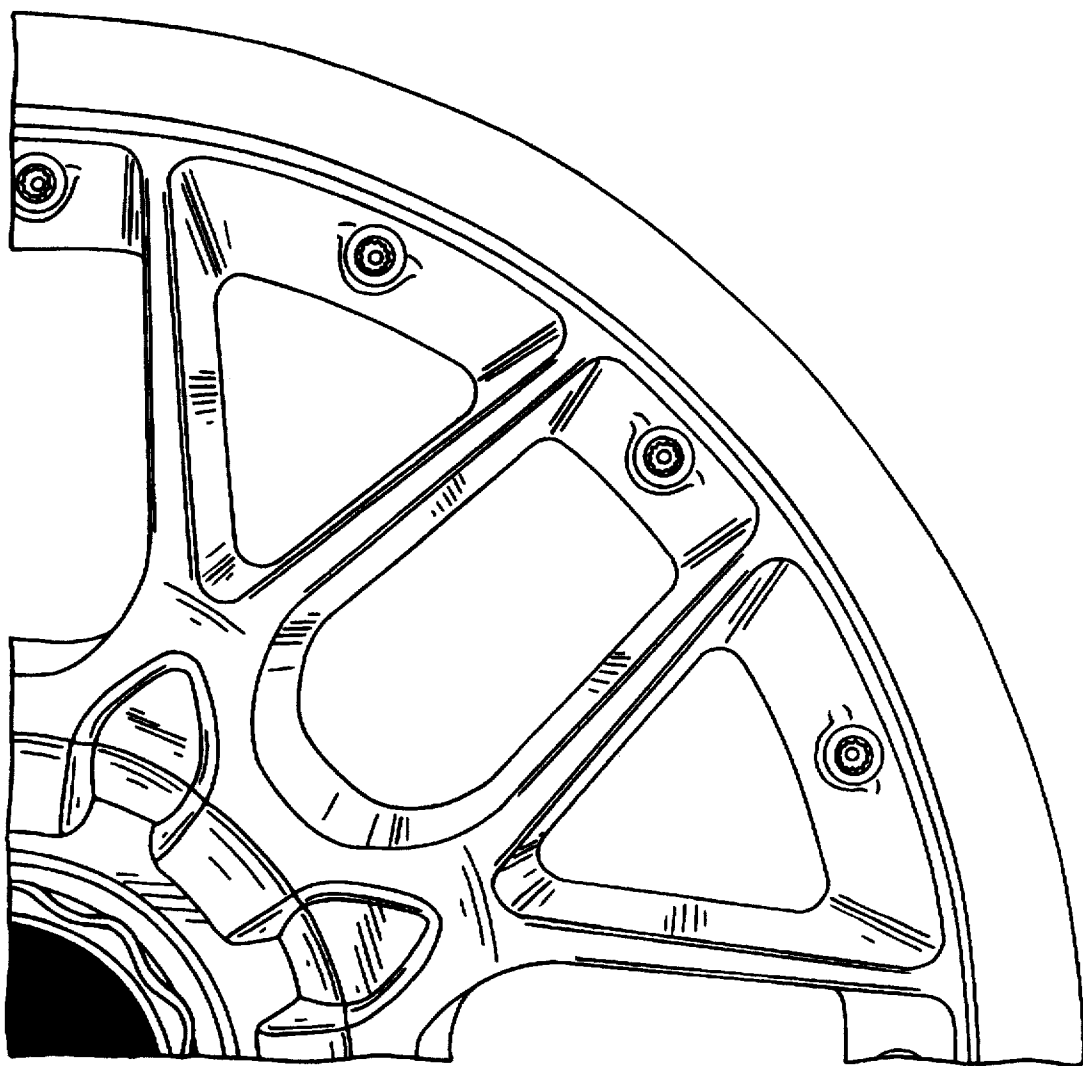


FIG. 5

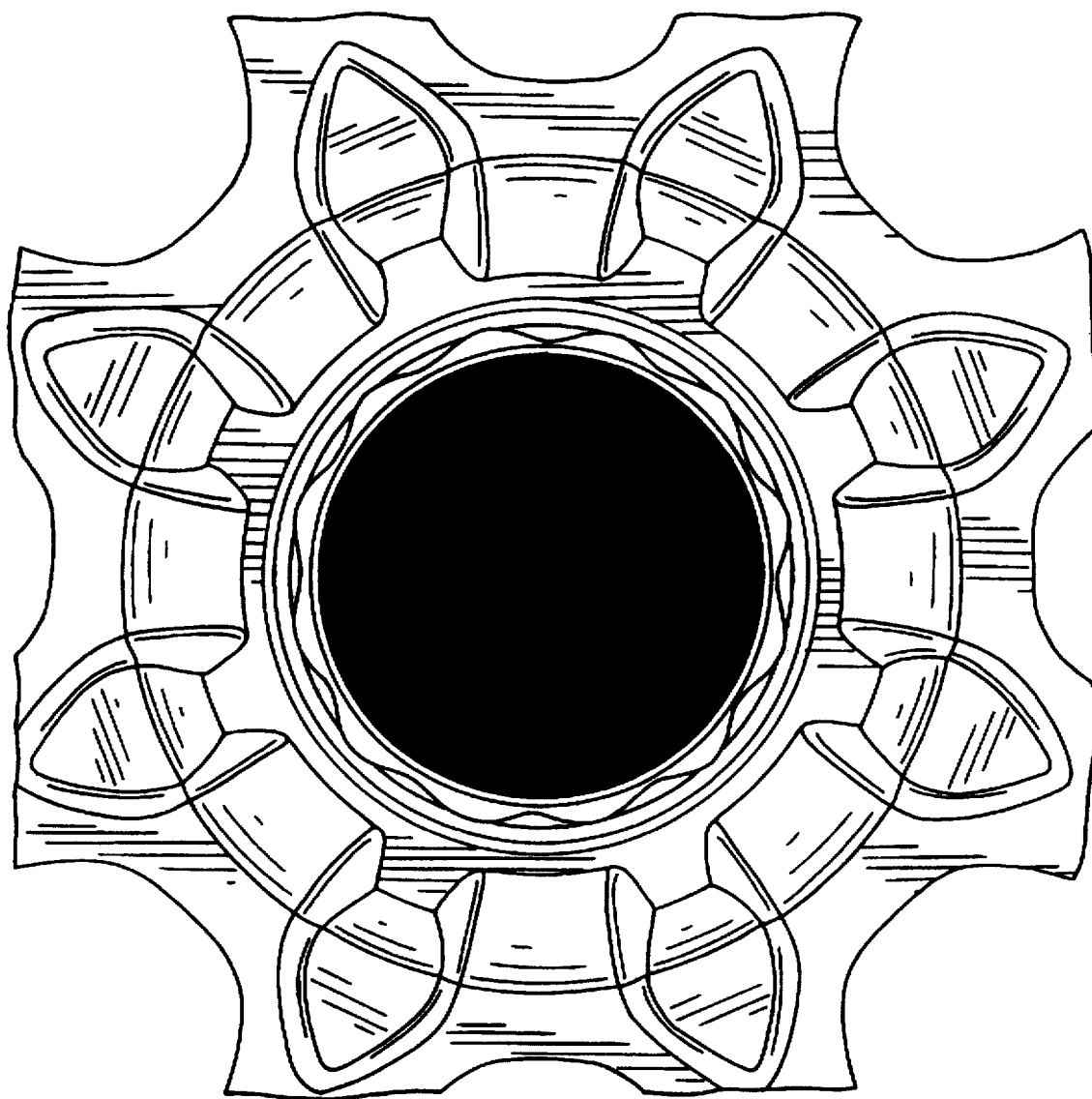


FIG. 6