



US00D396285S

# United States Patent [19]

Koros et al.

[11] Patent Number: **Des. 396,285**

[45] Date of Patent: **\*\*Jul. 21, 1998**

## [54] TWO PART CERVICAL RETRACTOR

[76] Inventors: **Tibor Koros; Gabriel Koros**, both of 610 Flinn Ave., Moorpark, Calif. 93021

[\*\*] Term: **14 Years**

[21] Appl. No.: **31,744**

[22] Filed: **Dec. 5, 1994**

### Related U.S. Application Data

[63] Continuation-in-part of Ser. No. 30,862, Nov. 10, 1994, Pat. No. Des. 369,860.

[51] LOC (6) Cl. .... **24-02**

[52] U.S. Cl. .... **D24/135**

[58] Field of Search ..... D24/135; 600/201, 600/210, 234, 231, 217, 211, 214

### [56] References Cited

#### U.S. PATENT DOCUMENTS

D. 361,381	8/1995	Koros et al.	.....	D24/135
D. 369,860	5/1996	Koros et al.	.....	D24/135
4,852,552	8/1989	Chaux	.....	600/234 X
5,052,373	10/1991	Michelson	.....	600/234
5,167,223	12/1992	Koros et al.	.....	600/211 X
5,363,841	11/1994	Coker	.....	D24/135 X

Primary Examiner—Doris Clark  
Attorney, Agent, or Firm—Richard D. Slehofer

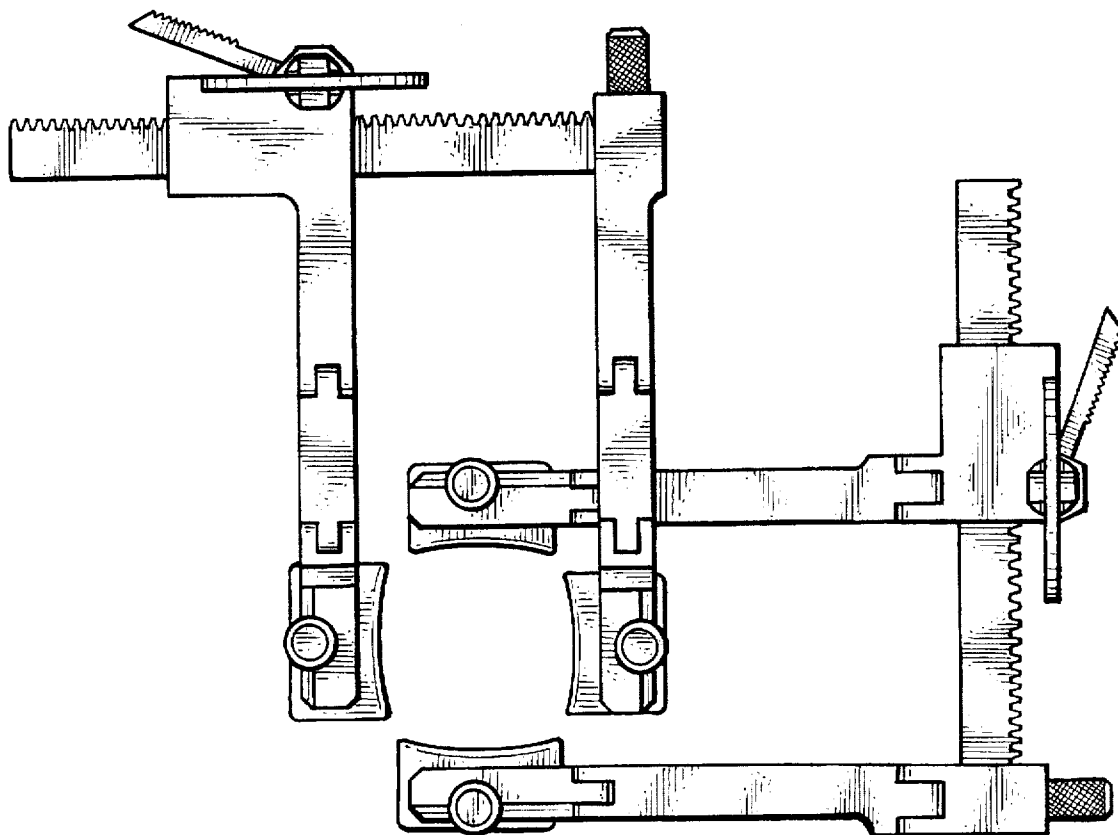
## [57] CLAIM

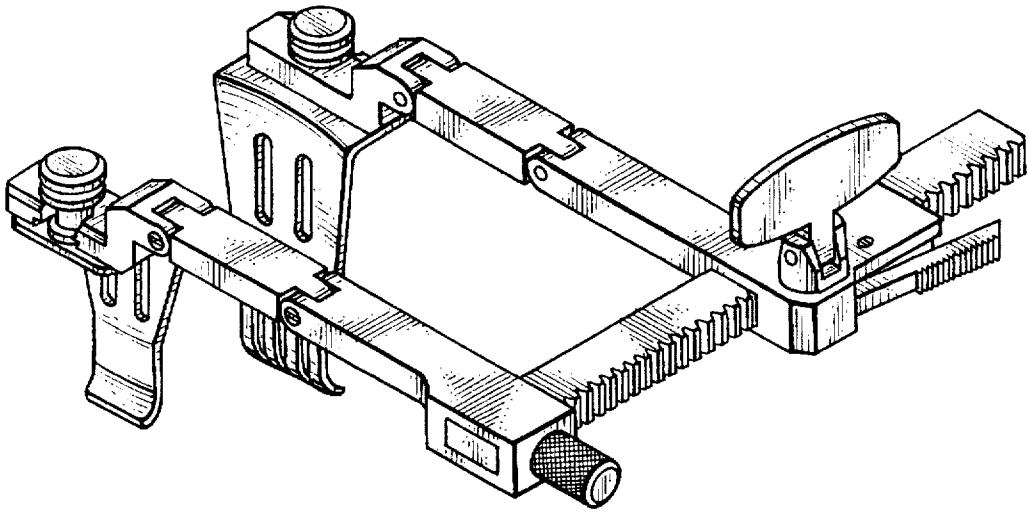
The ornamental design for a two part cervical retractor, as shown and described.

## DESCRIPTION

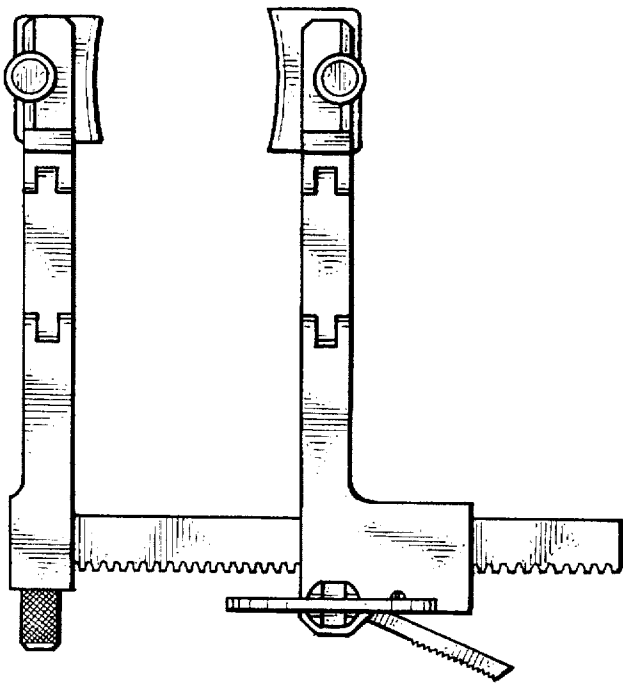
FIG. 1 is an enlarged left perspective view of the top portion of the two part cervical retractor;  
 FIG. 2 is a top view of the two part cervical retractor;  
 FIG. 3 is a front elevational view of the two part cervical retractor in FIG. 2;  
 FIG. 4 is an enlarged top view of FIG. 1;  
 FIG. 5 is an enlarged right view of FIG. 1;  
 FIG. 6 is an enlarged left view of FIG. 1;  
 FIG. 7 is an enlarged bottom view of FIG. 1;  
 FIG. 8 is an enlarged front view of FIG. 1;  
 FIG. 9 is an enlarged rear view of FIG. 1;  
 FIG. 10 is an enlarged right perspective view of the bottom portion of the two part cervical retractor;  
 FIG. 11 is an enlarged top view of FIG. 10;  
 FIG. 12 is an enlarged right view of FIG. 10;  
 FIG. 13 is an enlarged left view of FIG. 10;  
 FIG. 14 is an enlarged bottom view of FIG. 10;  
 FIG. 15 is an enlarged front view of FIG. 10;  
 FIG. 16 is an enlarged rear view of FIG. 10; and  
 FIG. 17 is an exploded perspective view of the two part cervical retractor.

1 Claim, 6 Drawing Sheets

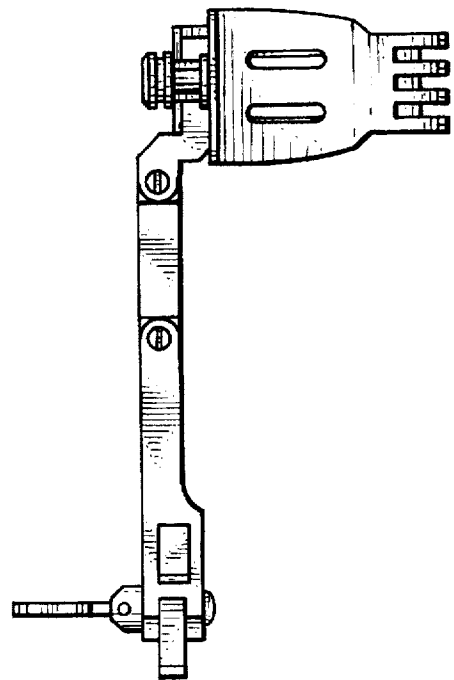




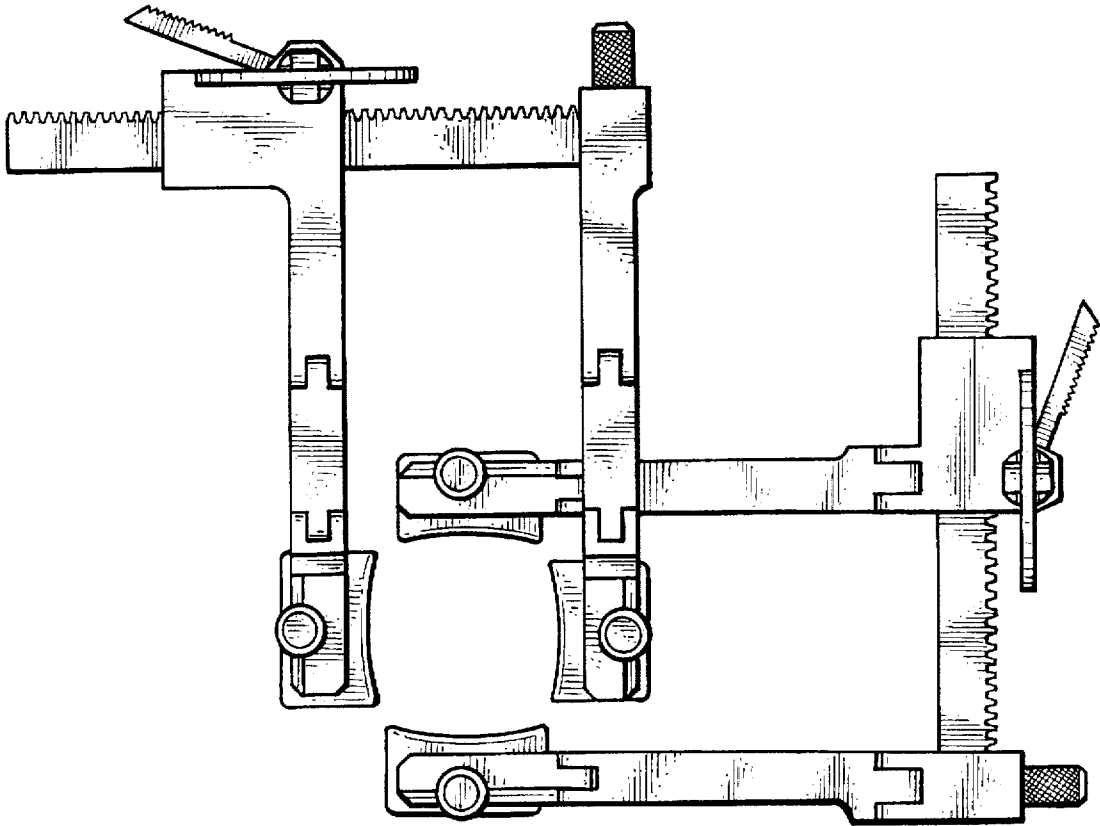
*Fig. 1.*



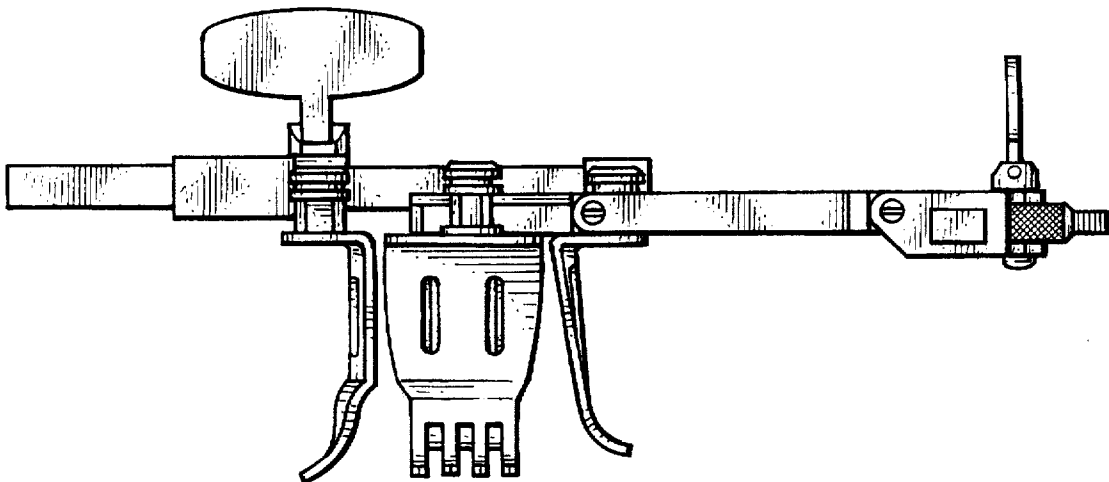
*Fig. 4.*



*Fig. 5.*



*Fig. 2.*



*Fig. 3.*

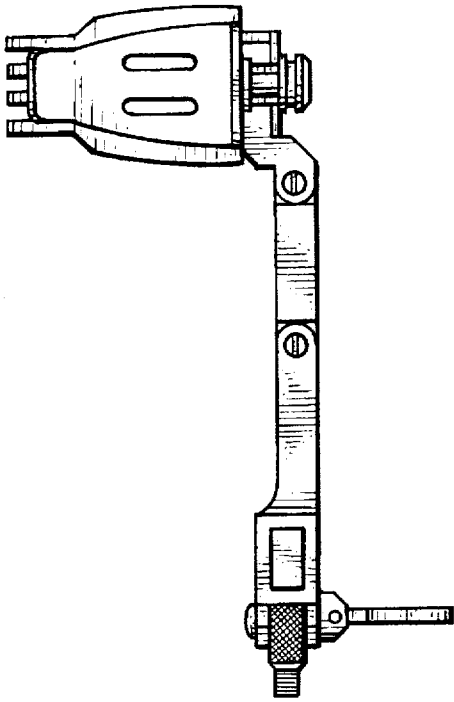


Fig. 6.

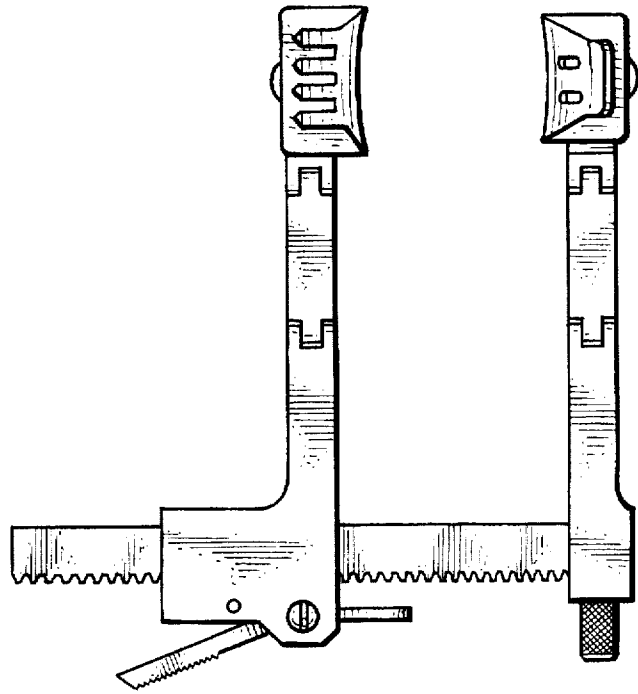


Fig. 7.

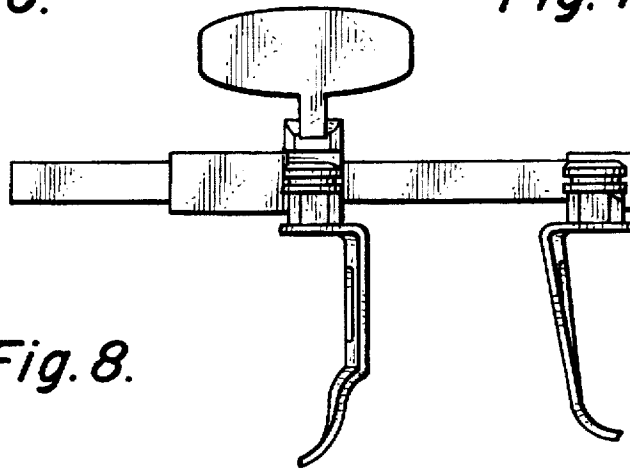


Fig. 8.

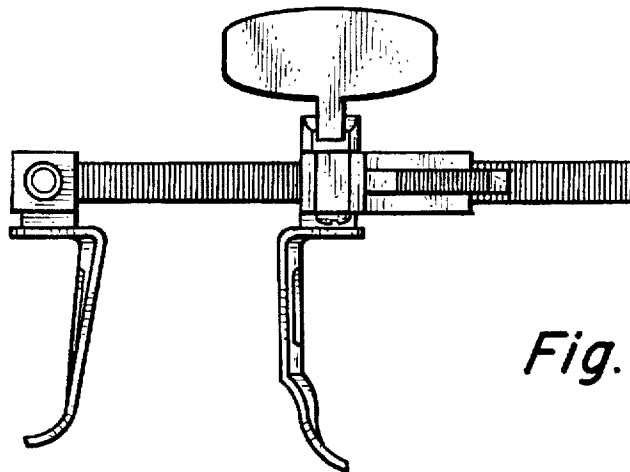
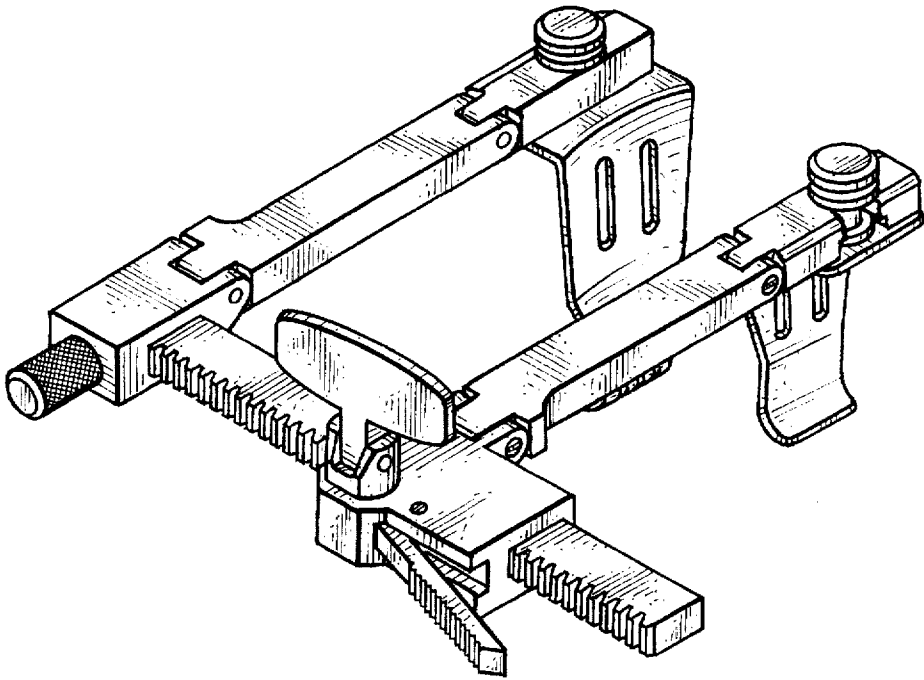
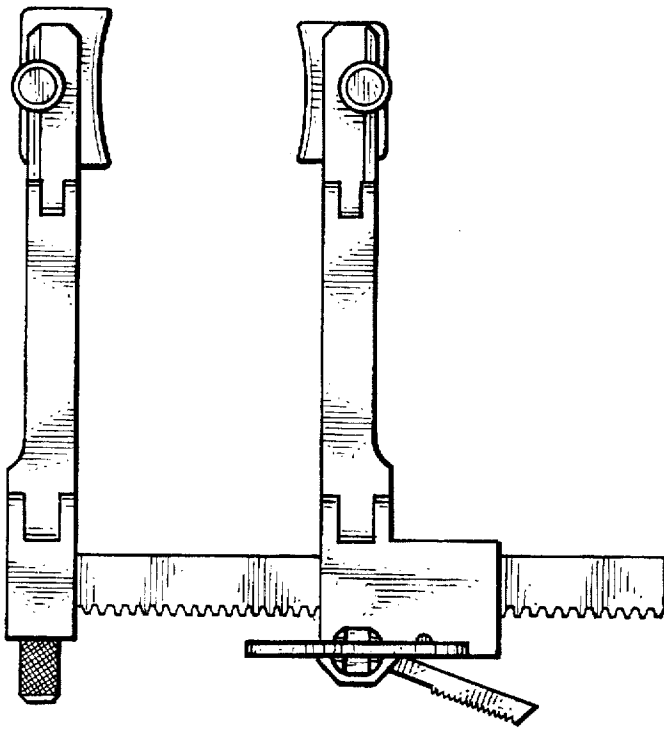


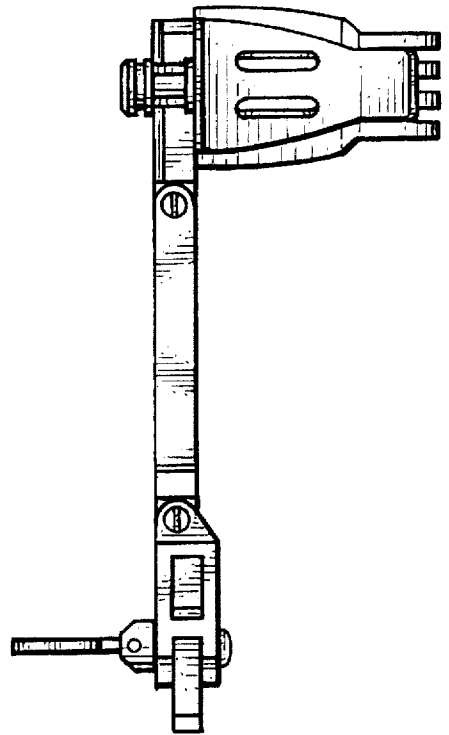
Fig. 9.



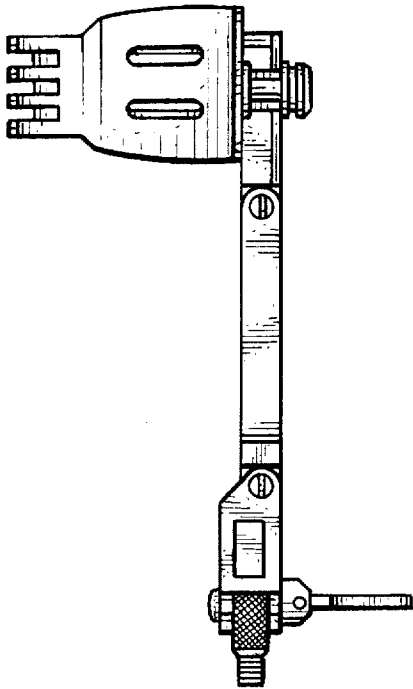
*Fig. 10.*



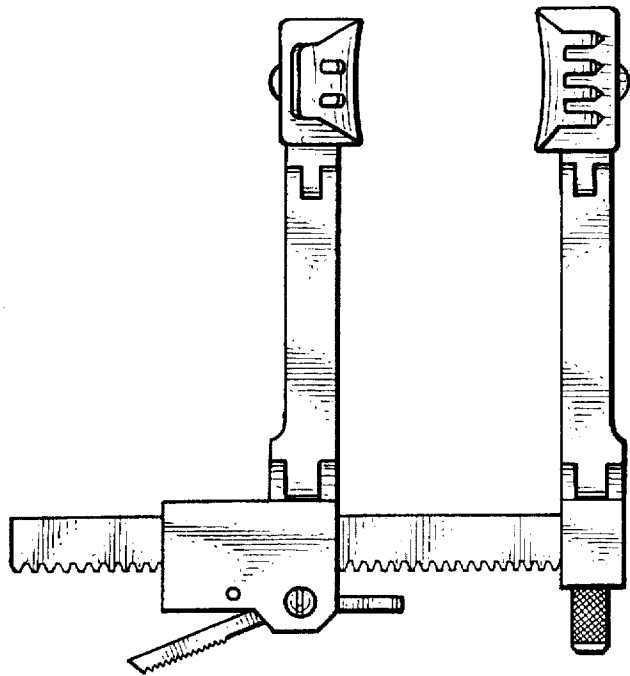
*Fig. 11.*



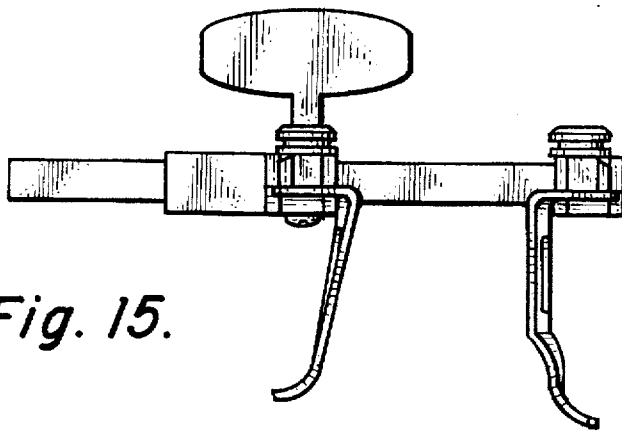
*Fig. 12.*



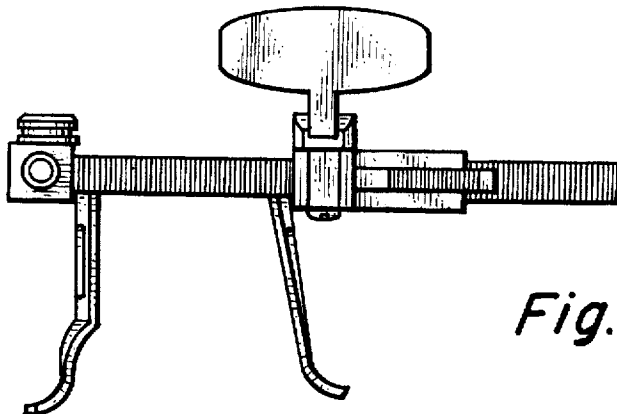
*Fig. 13.*



*Fig. 14.*



*Fig. 15.*



*Fig. 16.*

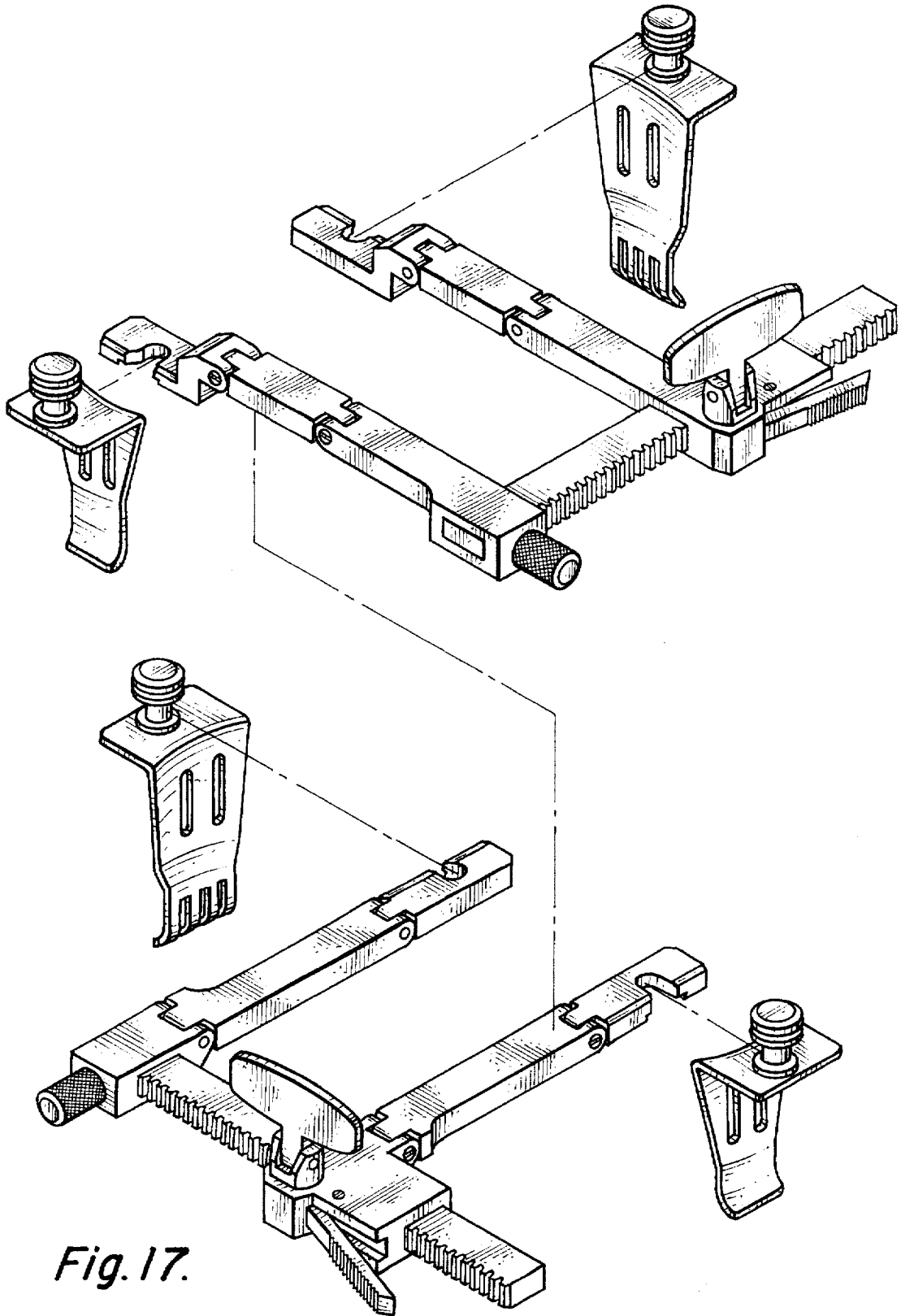


Fig. 17.