



US00D721385S

(12) **United States Design Patent**
Barling et al.

(10) **Patent No.:** **US D721,385 S**

(45) **Date of Patent:** **** Jan. 20, 2015**

(54) **DISPLAY SCREEN WITH GRAPHICAL USER INTERFACE**

(71) Applicant: **Microsoft Corporation**, Redmond, WA (US)

(72) Inventors: **Nicholas R. Barling**, Redmond, WA (US); **Charla Pereira**, Seattle, WA (US)

(73) Assignee: **Microsoft Corporation**, Redmond, WA (US)

(**) Term: **14 Years**

(21) Appl. No.: **29/453,599**

(22) Filed: **Apr. 30, 2013**

(51) **LOC (10) Cl.** **14-04**

(52) **U.S. Cl.**

USPC **D14/488**; D14/492

(58) **Field of Classification Search**

CPC A63F 2300/5553; G06F 3/0481; G06F 3/0482; G06F 3/0483; G06F 3/04812; G06F 3/04815; G06F 3/04817; G06F 3/04855; G06F 3/04886

USPC D14/485–495; D18/24–33; D20/11, 12, D20/18, 22–28, 40; 715/700–867, 961–978

See application file for complete search history.

(56) **References Cited**

U.S. PATENT DOCUMENTS

D341,848	S	*	11/1993	Bigelow et al.	D18/27
5,367,626	A	*	11/1994	Morioka et al.	715/837
D398,598	S	*	9/1998	Culp et al.	D14/489
D437,342	S	*	2/2001	Kramer et al.	D18/27
6,515,684	B1	*	2/2003	Knodt	715/777
D624,926	S	*	10/2010	Allen et al.	D14/485
D637,619	S	*	5/2011	Viggers et al.	D14/492
8,615,718	B2	*	12/2013	Landman et al.	715/793
D697,071	S	*	1/2014	Brinda	D14/485
2006/0148520	A1	*	7/2006	Baker et al.	455/556.2
2011/0145751	A1	*	6/2011	Landman et al.	715/781

OTHER PUBLICATIONS

Trademark Registration No. 2250622, Jun. 1, 1995 First used in commerce—May 31, 1996 (Registrant) Texas Scottish Rite Hospital for Crippled Children Corporation Texas.*

William Baxter and Naga Govindaraju, Simple Data-Driven Modeling of Brushes, published Feb. 2010, by Association for Computing Machinery, Inc., USA [online]. [retrieved Jul. 16, 2013]. Retrieved from Internet, URL: <http://research.microsoft.com/apps/pubs/default.aspx?id=120512>.

Nelson Chu et al., Detail Preserving Paint Modeling for 3D Brushes, published Jun. 7, 2010, by Association for Computing Machinery, Inc., USA [online]. [retrieved Jul. 16, 2013]. Retrieved from Internet, URL: <http://research.microsoft.com/apps/pubs/default.aspx?id=121930>.

Project Gustav: Immersive Digital Painting, published Mar. 2, 2010, by Microsoft Corporation, Redmond, WA, USA [online]. [retrieved Jul. 16, 2013]. Retrieved from Internet, URL: <http://research.microsoft.com/en-us/projects/gustav/default.aspx>.

Screenshots of Microsoft Paint program, published by Microsoft Corporation, Redmond, WA, USA. Print date Jul. 16, 2013. Date released unknown, but prior to the filing of the present application.

* cited by examiner

Primary Examiner — Mary Ann Calabrese

(74) *Attorney, Agent, or Firm* — Banner & Witcoff, Ltd.

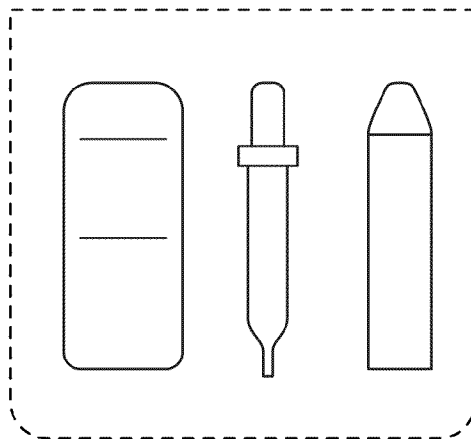
(57) **CLAIM**

The ornamental design for a display screen with graphical user interface, as shown and described.

DESCRIPTION

FIG. 1 is a front view of a display screen with graphical user interface showing our new design; and, FIG. 2 is an enlarged view of the region of FIG. 1 containing the claimed portion of the design. The broken line showing of the remainder of the user interface and display screen is for environmental purposes only and forms no part of the claimed design.

1 Claim, 2 Drawing Sheets



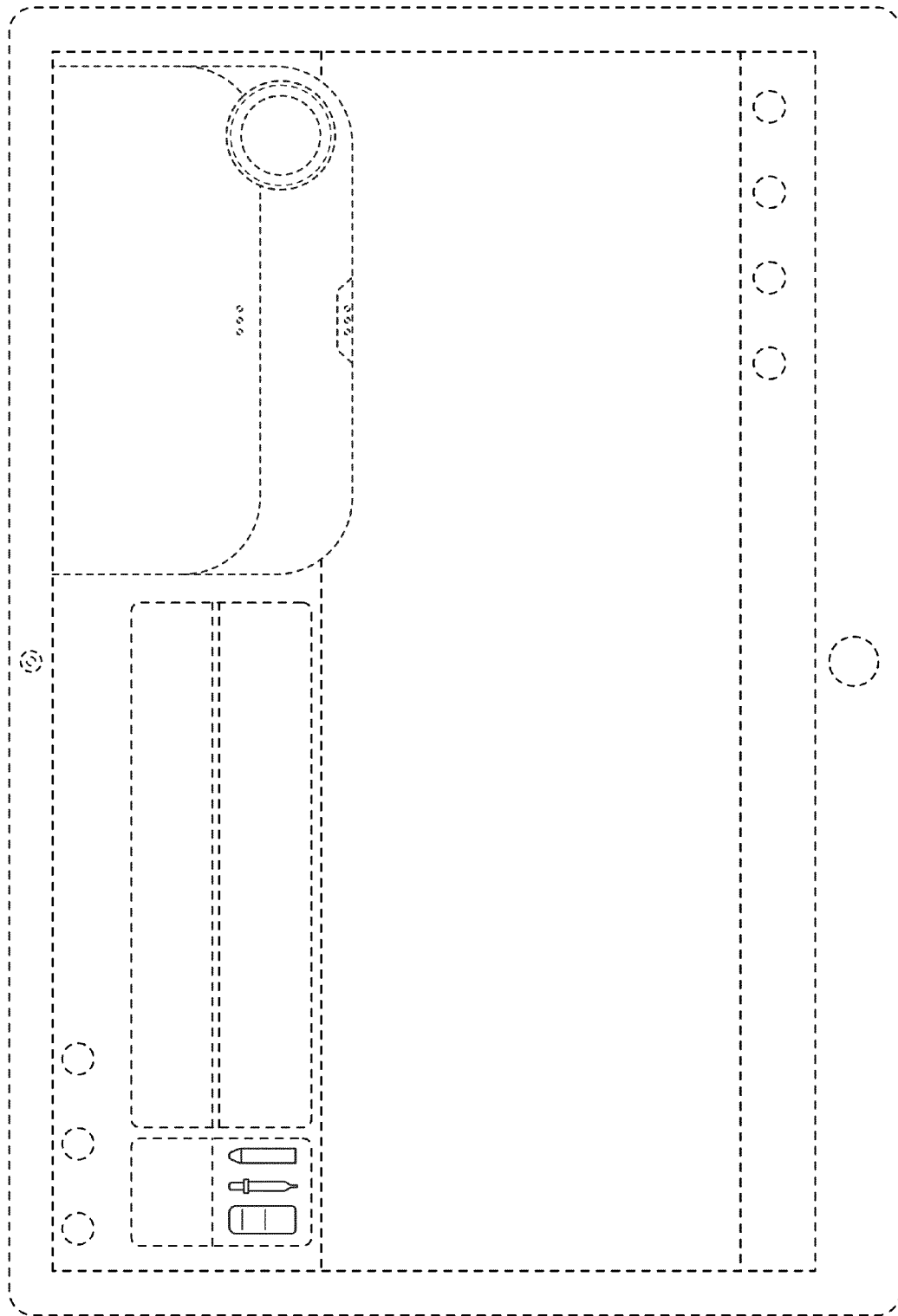


FIG. 1

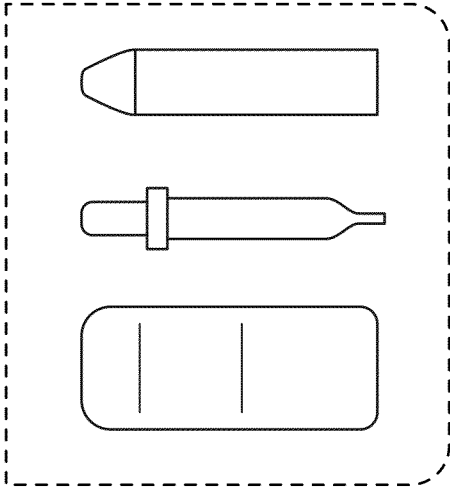


FIG. 2