

(12) INTERNATIONAL APPLICATION PUBLISHED UNDER THE PATENT COOPERATION TREATY (PCT)

(19) World Intellectual Property Organization
International Bureau



(43) International Publication Date
8 July 2010 (08.07.2010)

(10) International Publication Number
WO 2010/077662 A3

(51) International Patent Classification:
A24F 15/20 (2006.01) B65D 85/10 (2006.01)
A24F 15/12 (2006.01)

(21) International Application Number:
PCT/US2009/067155

(22) International Filing Date:
8 December 2009 (08.12.2009)

(25) Filing Language: English

(26) Publication Language: English

(30) Priority Data:
61/120,972 9 December 2008 (09.12.2008) US

(72) Inventor; and

(71) Applicant : YANCHEV, Yanko [BG/US]; 414 South
Craig Street, P.O. Box #296, Pittsburg, PA 15213 (US).

(74) Agent: MAIER, Timothy, J.; Maier & Maier, PLLC,
1000 Duke Street, Alexandria, VA 22314 (US).

(81) Designated States (unless otherwise indicated, for every
kind of national protection available): AE, AG, AL, AM,
AO, AT, AU, AZ, BA, BB, BG, BH, BR, BW, BY, BZ,
CA, CH, CL, CN, CO, CR, CU, CZ, DE, DK, DM, DO,
DZ, EC, EE, EG, ES, FI, GB, GD, GE, GH, GM, GT,
HN, HR, HU, ID, IL, IN, IS, JP, KE, KG, KM, KN, KP,
KR, KZ, LA, LC, LK, LR, LS, LT, LU, LY, MA, MD,
ME, MG, MK, MN, MW, MX, MY, MZ, NA, NG, NI,
NO, NZ, OM, PE, PG, PH, PL, PT, RO, RS, RU, SC, SD,

SE, SG, SK, SL, SM, ST, SV, SY, TJ, TM, TN, TR, TT,
TZ, UA, UG, US, UZ, VC, VN, ZA, ZM, ZW.

(84) Designated States (unless otherwise indicated, for every
kind of regional protection available): ARIPO (BW, GH,
GM, KE, LS, MW, MZ, NA, SD, SL, SZ, TZ, UG, ZM,
ZW), Eurasian (AM, AZ, BY, KG, KZ, MD, RU, TJ,
TM), European (AT, BE, BG, CH, CY, CZ, DE, DK, EE,
ES, FI, FR, GB, GR, HR, HU, IE, IS, IT, LT, LU, LV,
MC, MK, MT, NL, NO, PL, PT, RO, SE, SI, SK, SM,
TR), OAPI (BF, BJ, CF, CG, CI, CM, GA, GN, GQ, GW,
ML, MR, NE, SN, TD, TG).

Declarations under Rule 4.17:

- as to applicant's entitlement to apply for and be granted a patent (Rule 4.17(ii))
- as to the applicant's entitlement to claim the priority of the earlier application (Rule 4.17(iii))
- of inventorship (Rule 4.17(iv))

Published:

- with international search report (Art. 21(3))
- before the expiration of the time limit for amending the claims and to be republished in the event of receipt of amendments (Rule 48.2(h))

(88) Date of publication of the international search report:
26 August 2010

(54) Title: PACKAGE FOR CIGARETTES OF DIFFERENT SIZES AND/OR BRANDS

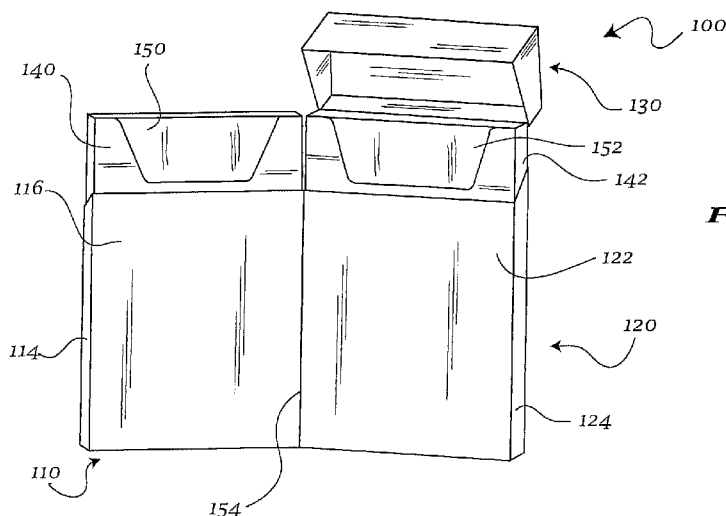


Fig. 5

(57) Abstract: A cigarette pack capable of carrying different-sized and different-branded cigarettes is disclosed. The cigarette pack may consist of a first portion, a second portion hingedly coupled to the first portion, and a top portion hingedly coupled to a sliding portion slidably disposed within the second portion. The cigarette pack may also include sleeves disposed within the first portion and second portion and configured to support cigarettes within the sleeve. The cigarette pack may also include a platform for supporting cigarettes within either of said portions.

WO 2010/077662 A3

A. CLASSIFICATION OF SUBJECT MATTER*A24F 15/20(2006.01)i, A24F 15/12(2006.01)i, B65D 85/10(2006.01)i*

According to International Patent Classification (IPC) or to both national classification and IPC

B. FIELDS SEARCHED

Minimum documentation searched (classification system followed by classification symbols)

A24F 15/20; A24F 15/12; B65D 25/06; B65D 85/10

Documentation searched other than minimum documentation to the extent that such documents are included in the fields searched

Korean utility models and applications for utility models

Japanese utility models and applications for utility models

Electronic data base consulted during the international search (name of data base and, where practicable, search terms used)

eKOMPASS(KIPO internal) & Keywords: cigarette, pack.

C. DOCUMENTS CONSIDERED TO BE RELEVANT

Category*	Citation of document, with indication, where appropriate, of the relevant passages	Relevant to claim No.
A	EP 1801032 A1 (JT INTERNATIONAL S.A.) 27 June 2007 See paragraphs [0001]-[0012]; Figures 1-6.	1
A	US 4961496 A1 (FOCKE; HEINZ et al.) 09 October 1990 See column 1, line 30 - column 2, line 15; Figures 1-9.	1
A	JP 2006-333713 A (KANAUMI HIROKI) 14 December 2006 See paragraphs [0004]-[0009]; Figures 1-8.	1
A	KR 10-2006-0048999 A (G.D. SOCIETAPER AZIONI) 18 May 2006 See claims 1-22; Figures 1-3.	1

 Further documents are listed in the continuation of Box C. See patent family annex.

* Special categories of cited documents:

"A" document defining the general state of the art which is not considered to be of particular relevance

"E" earlier application or patent but published on or after the international filing date

"L" document which may throw doubts on priority claim(s) or which is cited to establish the publication date of citation or other special reason (as specified)

"O" document referring to an oral disclosure, use, exhibition or other means

"P" document published prior to the international filing date but later than the priority date claimed

"T" later document published after the international filing date or priority date and not in conflict with the application but cited to understand the principle or theory underlying the invention

"X" document of particular relevance; the claimed invention cannot be considered novel or cannot be considered to involve an inventive step when the document is taken alone

"Y" document of particular relevance; the claimed invention cannot be considered to involve an inventive step when the document is combined with one or more other such documents, such combination being obvious to a person skilled in the art

"&" document member of the same patent family

Date of the actual completion of the international search

15 JUNE 2010 (15.06.2010)

Date of mailing of the international search report

25 JUNE 2010 (25.06.2010)

Name and mailing address of the ISA/KR

Korean Intellectual Property Office
Government Complex-Daejeon, 139 Seonsa-ro, Seo-
gu, Daejeon 302-701, Republic of Korea

Facsimile No. 82-42-472-7140

Authorized officer

CHO, Sung Ho

Telephone No. 82-42-481-5615



INTERNATIONAL SEARCH REPORT

Information on patent family members

International application No.

PCT/US2009/067155

Patent document cited in search report	Publication date	Patent family member(s)	Publication date
EP 1801032 A1	27.06.2007	WO 2007-071740 A1	28.06.2007
US 4961496 A1	09.10.1990	EP 0370265 A1	30.05.1990
		EP 0370265 B1	18.05.1994
		JP 08-015910 B2	21.02.1996
		JP 2107324 C	06.11.1996
		JP 2191145 A	27.07.1990
JP 2006-333713 A	14.12.2006	None	
KR 10-2006-0048999 A	18.05.2006	JP 2006-056603 A	02.03.2006