

(19) World Intellectual Property Organization  
International Bureau



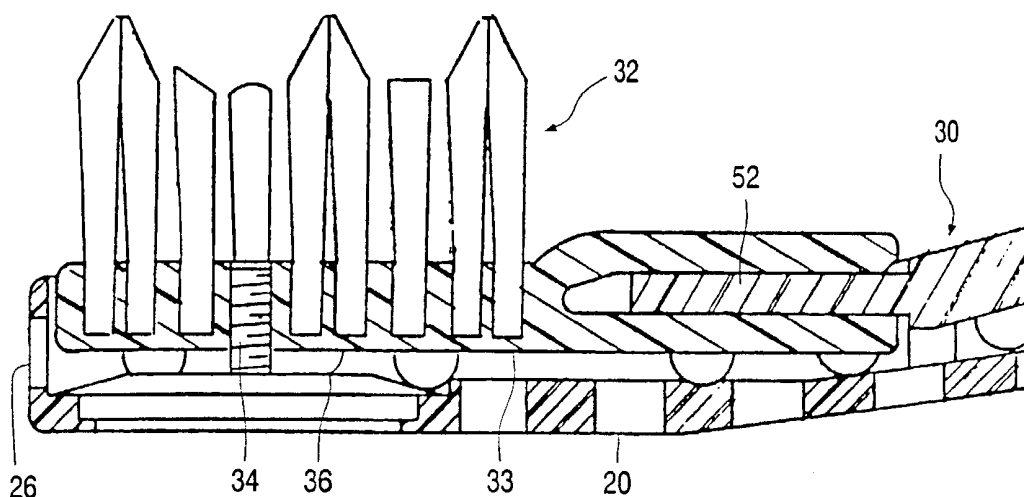
(43) International Publication Date  
8 November 2001 (08.11.2001)

PCT

(10) International Publication Number  
WO 01/82744 A3

- (51) International Patent Classification<sup>7</sup>: A46B 15/00, 5/00
  - (21) International Application Number: PCT/EP01/04715
  - (22) International Filing Date: 26 April 2001 (26.04.2001)
  - (25) Filing Language: English
  - (26) Publication Language: English
  - (30) Priority Data:  
09/561,274 28 April 2000 (28.04.2000) US
  - (71) Applicant: KONINKLIJKE PHILIPS ELECTRONICS N.V. [NL/NL]; Groenewoudseweg 1, NL-5621 BA Eindhoven (NL).
  - (72) Inventors: MEGINNESS Stephen, M., III; Prof. Holstlaan 6, NL-5656 AA Eindhoven (NL). BIXBY, Matthew, D.; Prof. Holstlaan 6, NL-5656 AA Eindhoven (NL).
  - (74) Agent: SCHOUTEN, Marcus, M.; Internationaal Octrooibureau B.V., Prof. Holstlaan 6, NL-5656 AA Eindhoven (NL).
  - (81) Designated States (national): CN, JP, KR.
  - (84) Designated States (regional): European patent (AT, BE, CH, CY, DE, DK, ES, FI, FR, GB, GR, IE, IT, LU, MC, NL, PT, SE, TR).
  - Published:  
*with international search report*
  - (88) Date of publication of the international search report:  
30 May 2002
- For two-letter codes and other abbreviations, refer to the "Guidance Notes on Codes and Abbreviations" appearing at the beginning of each regular issue of the PCT Gazette.*

(54) Title: FORCE SENSING SYSTEM FOR A TOOTHBRUSH



(57) Abstract: The pressure sensing system includes a hinged member (16) that is fixedly attached to a brushhead body. An arm member (30) is attached at one end to said hinged member and pivots about a hinge portion of the hinged member. The pivoting arm member and the brushhead member nestle within the toothbrush body. The brushhead member includes a striking element portion that extends away from a rear surface of the brushhead. Mounted on the toothbrush body beneath the brushhead member is a collapsible, recoverable dome member (36), which provides an alarm indication by collapsing when excessive pressure is applied by the user on the brushhead against the teeth.

WO 01/82744 A3

**INTERNATIONAL SEARCH REPORT**

International Application No

PCT/EP 01/04715

**A. CLASSIFICATION OF SUBJECT MATTER**  
 IPC 7 A46B15/00 A46B5/00

According to International Patent Classification (IPC) or to both national classification and IPC

**B. FIELDS SEARCHED**

Minimum documentation searched (classification system followed by classification symbols)

IPC 7 A46B

Documentation searched other than minimum documentation to the extent that such documents are included in the fields searched

Electronic data base consulted during the international search (name of data base and, where practical, search terms used)

EPO-Internal

**C. DOCUMENTS CONSIDERED TO BE RELEVANT**

Category *	Citation of document, with indication, where appropriate, of the relevant passages	Relevant to claim No.
Y	US 5 815 872 A (MEGINNISS III STEPHEN M ET AL) 6 October 1998 (1998-10-06) cited in the application column 3, line 31 -column 4, line 4; figures 1,2,6	1-20, 25-30
Y	US 2 882 544 A (HADIDIAN PUZANT H) 21 April 1959 (1959-04-21) column 2, line 56 - line 60; figures 6,7	1-20, 25-30
P, Y	WO 01 21035 A (PLACONTROL INC) 29 March 2001 (2001-03-29) abstract; claim 4; figures	6-8, 19, 20, 29, 30
Y	US 5 146 645 A (DIRKSING ROBERT S) 15 September 1992 (1992-09-15)	21-24
A	the whole document	13, 25
	---	
	-/--	

Further documents are listed in the continuation of box C.

Patent family members are listed in annex.

\* Special categories of cited documents:

- \*A\* document defining the general state of the art which is not considered to be of particular relevance
- \*E\* earlier document but published on or after the international filing date
- \*L\* document which may throw doubts on priority claim(s) or which is cited to establish the publication date of another citation or other special reason (as specified)
- \*O\* document referring to an oral disclosure, use, exhibition or other means
- \*P\* document published prior to the international filing date but later than the priority date claimed

- \*T\* later document published after the international filing date or priority date and not in conflict with the application but cited to understand the principle or theory underlying the invention
- \*X\* document of particular relevance; the claimed invention cannot be considered novel or cannot be considered to involve an inventive step when the document is taken alone
- \*Y\* document of particular relevance; the claimed invention cannot be considered to involve an inventive step when the document is combined with one or more other such documents, such combination being obvious to a person skilled in the art.
- \*&\* document member of the same patent family

Date of the actual completion of the international search

6 March 2002

Date of mailing of the international search report

15/03/2002

Name and mailing address of the ISA

European Patent Office, P.B. 5818 Patentlaan 2  
 NL - 2280 HV Rijswijk  
 Tel. (+31-70) 340-2040, Tx. 31 651 epo nl,  
 Fax: (+31-70) 340-3016

Authorized officer

Gavaza, B

## INTERNATIONAL SEARCH REPORT

International Application No  
PCT/EP 01/04715

C.(Continuation) DOCUMENTS CONSIDERED TO BE RELEVANT		
Category °	Citation of document, with indication, where appropriate, of the relevant passages	Relevant to claim No.
Y	US 5 836 036 A (IVORY BRIAN) 17 November 1998 (1998-11-17) abstract; figure 1 ---	21-24
Y	FR 2 471 757 A (SIAHOU JOSEPH) 26 June 1981 (1981-06-26) page 1; figure 1 ---	24
A	US 5 224 234 A (ARSENAULT JEFFREY L ET AL) 6 July 1993 (1993-07-06) the whole document ---	1,4,9, 18,28
A	US 5 799 354 A (AMIR EHUD) 1 September 1998 (1998-09-01) the whole document -----	1-30

# INTERNATIONAL SEARCH REPORT

Information on patent family members

International Application No

PCT/EP 01/04715

Patent document cited in search report	Publication date	Patent family member(s)	Publication date	
US 5815872	A	06-10-1998	AU 8500998 A	01-03-1999
			CN 1266361 T	13-09-2000
			EP 1001716 A1	24-05-2000
			JP 2001513358 T	04-09-2001
			WO 9907305 A1	18-02-1999
US 2882544	A	21-04-1959	NONE	
WO 0121035	A	29-03-2001	AU 6908400 A	24-04-2001
			WO 0121035 A1	29-03-2001
US 5146645	A	15-09-1992	AU 1375892 A	06-10-1992
			BR 9205708 A	17-05-1994
			CA 2104448 A1	02-09-1992
			CZ 9301792 A3	18-05-1994
			EG 19399 A	30-03-1995
			EP 0573537 A1	15-12-1993
			HU 66882 A2	30-01-1995
			IE 920652 A1	09-09-1992
			JP 6504937 T	09-06-1994
			MX 9200883 A1	01-09-1992
			NZ 241794 A	27-04-1995
			PL 170482 B1	31-12-1996
			PT 100184 A	29-04-1994
			SK 90393 A3	05-01-1995
			TR 26024 A	01-11-1993
			WO 9215224 A1	17-09-1992
US 5836036	A	17-11-1998	NONE	
FR 2471757	A	26-06-1981	FR 2471757 A2 26-06-1981	
US 5224234	A	06-07-1993	NONE	
US 5799354	A	01-09-1998	NONE	