



US00D413608S

United States Patent [19]

[11] Patent Number: Des. 413,608

Bryant et al.

[45] Date of Patent: ** Sep. 7, 1999

[54] TELEPHONE SHOULDER REST AND STAND

[75] Inventors: David E. Bryant, Austin; William J. Morris, Round Rock, both of Tex.

[73] Assignee: Siemens Information and Communication Networks, Inc., Boca Raton, Fla.

[**] Term: 14 Years

[21] Appl. No.: 29/089,633

[22] Filed: Jun. 19, 1998

[51] LOC (6) Cl. 14-03

[52] U.S. Cl. D14/253

[58] Field of Search D14/137, 138, D14/148, 147, 149-151, 140-142, 240, 241, 251, 253; 379/433-436, 419, 420, 428, 440, 454, 455, 446, 447; D13/107, 108; 320/110, 113, 114, 115; D16/242; D7/388; D8/383, 349, 71, 354; D12/415, 419; 224/539, 540, 926, 929

[56] References Cited

U.S. PATENT DOCUMENTS

D. 225,156	11/1972	Reid	D7/388
D. 290,956	7/1987	Witham	D14/253
D. 315,353	3/1991	Greenwood, Sr. et al.	D14/253
D. 320,022	9/1991	Watanabe et al.	D14/251
D. 398,927	9/1998	Read et al.	D14/253 X
2,924,671	3/1960	Anklesaria	379/455
4,406,928	9/1983	MacKenzie	379/454
5,142,573	8/1992	Umezawa	379/454

FOREIGN PATENT DOCUMENTS

2100350	7/1971	Germany	379/455
---------	--------	---------	-------	---------

Primary Examiner—Jeffrey Asch

[57] CLAIM

The ornamental design for a telephone shoulder rest and stand, as shown and described.

DESCRIPTION

FIG. 1 is a front perspective view of the telephone shoulder rest and stand, with the shoulder rest and stand in a first configuration for use as a stand for a telephone handset.

FIG. 2 is a rear perspective view of the shoulder rest and stand in the first configuration.

FIG. 3 is a front elevational view of the shoulder rest and stand in the first configuration.

FIG. 4 is a rear elevational view of the shoulder rest and stand in the first configuration.

FIG. 5 is a left-side elevational view of the shoulder rest and stand in the first configuration.

FIG. 6 is a bottom view of the shoulder rest and stand in the first configuration.

FIG. 7 is a top view of the shoulder rest and stand in the first configuration.

FIG. 8 is a front perspective view of the telephone shoulder rest and stand, with the shoulder rest and stand in a second configuration for use as a shoulder rest for a telephone handset.

FIG. 9 is a rear perspective view of the shoulder rest and stand in the second configuration.

FIG. 10 is a front elevational view of the shoulder rest and stand in the second configuration.

FIG. 11 is a rear elevational view of the shoulder rest and stand in the second configuration.

FIG. 12 is a left-side elevational view of the shoulder rest and stand in the second configuration.

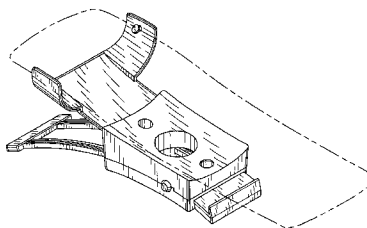
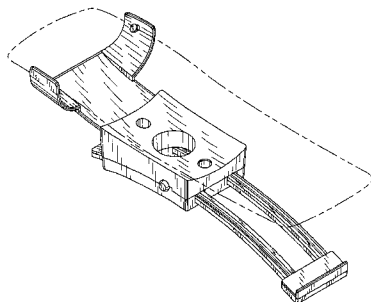
FIG. 13 is a bottom view of the shoulder rest and stand in the second configuration; and,

FIG. 14 is a top view of the shoulder rest and stand in the second configuration.

The drawings do not include a right side elevational view for either configuration because the right side is identical or symmetrical to the left side.

The following text describes the nature and intended use of the present invention. The telephone shoulder rest and stand attaches to a telephone handset, such as a wireless telephone. The outline of a handset is shown in the drawings in broken lines. The handset is not part of the design sought to be patented. The shoulder rest and stand for a telephone handset has a sliding mechanism for changing between a first configuration, as illustrated in FIGS. 1 to 7, and a second configuration, as illustrated in FIGS. 8 to 14. In the first configuration, the shoulder rest and stand functions as a stand to support the handset in a generally upright position on a generally horizontal surface, such as for setting the handset on a table in an upright position. In the second configuration, the shoulder rest and stand functions as a shoulder rest. In this second configuration, the handset and attached shoulder rest are placed between the user's head and the user's shoulder, with the user's head pressing against the handset and the user's shoulder pressing against the shoulder rest to hold the handset and attached shoulder rest in place. This arrangement enables the handset to be used for a telephone conversation without the user having to hold on to the handset with his hand.

1 Claim, 12 Drawing Sheets



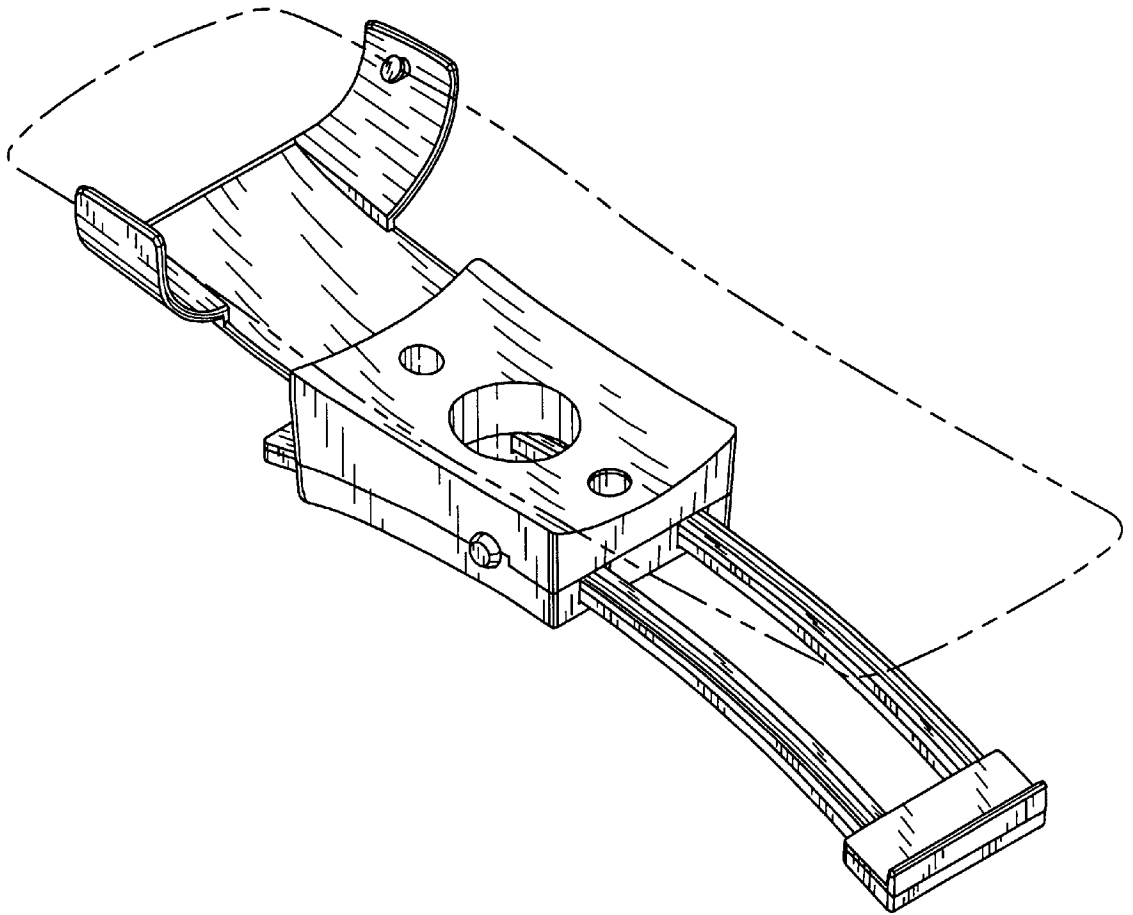


FIG. 1

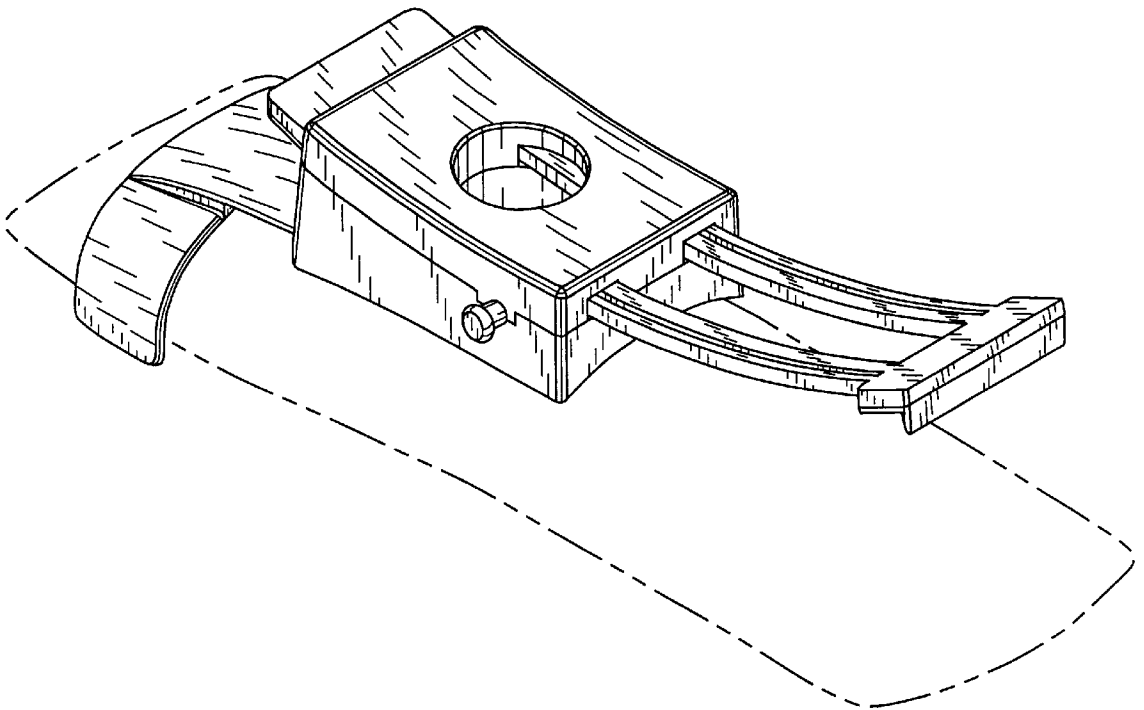


FIG. 2

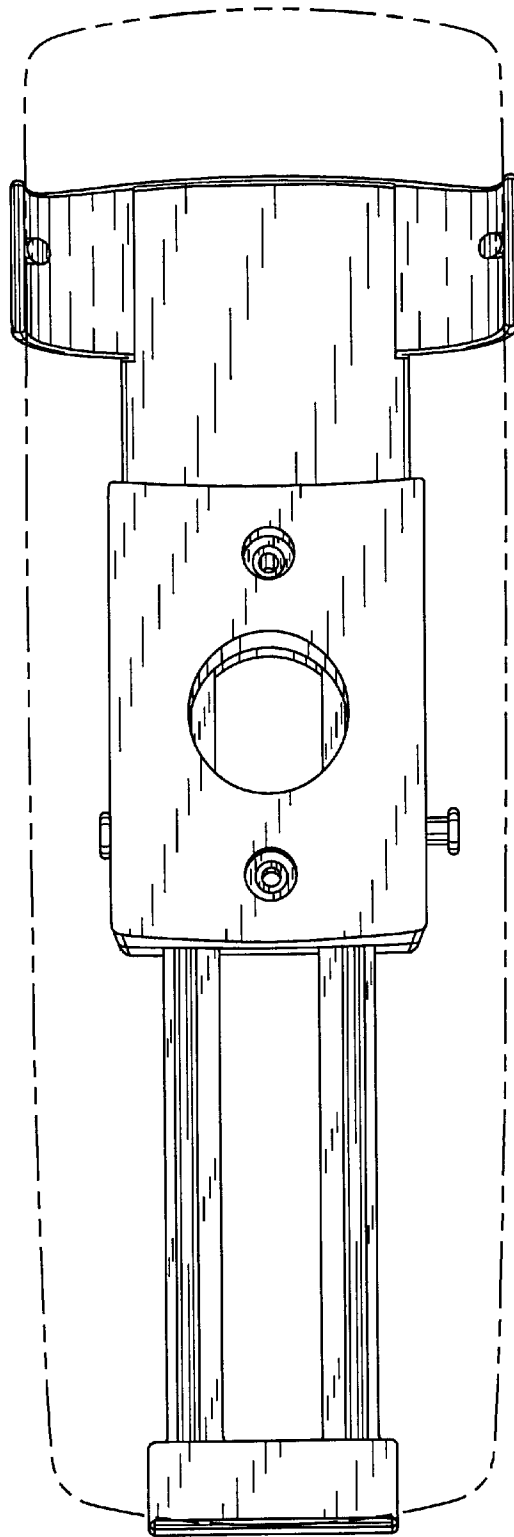


FIG 3

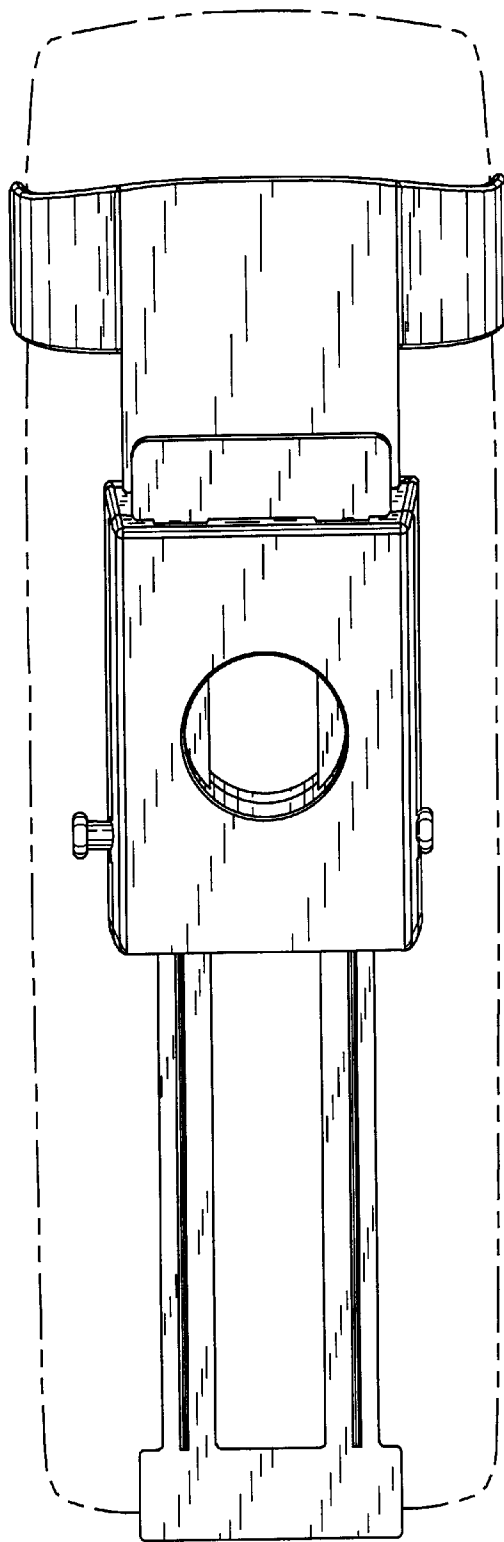


FIG 4

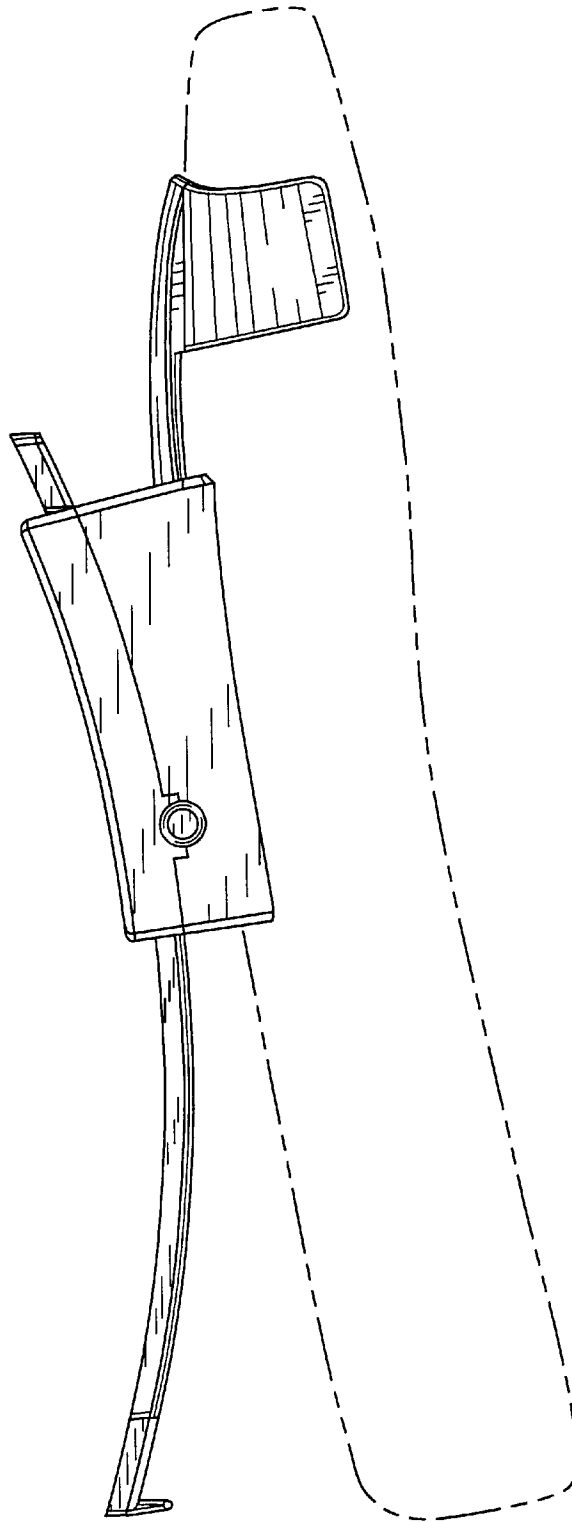


FIG. 5

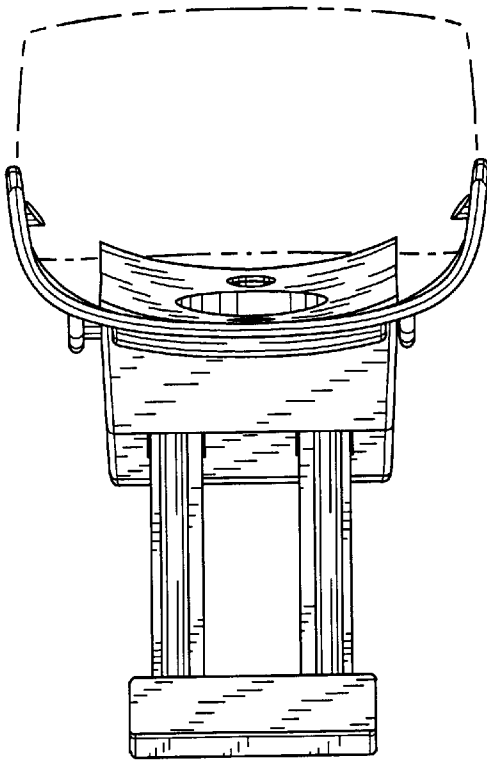


FIG. 6

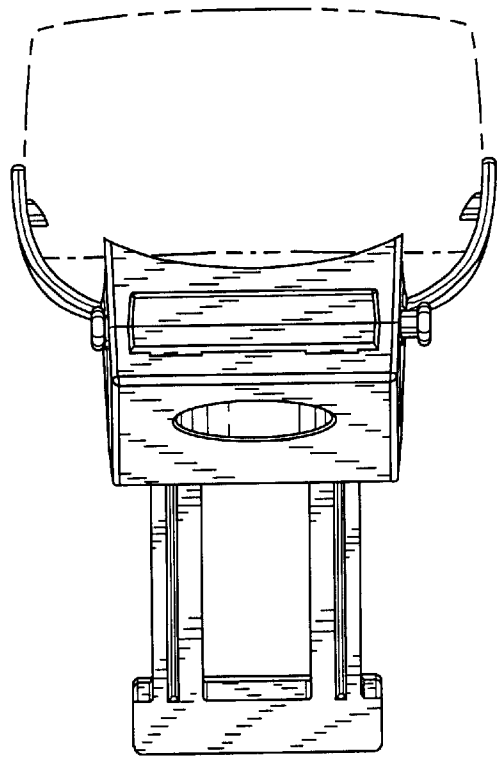


FIG. 7

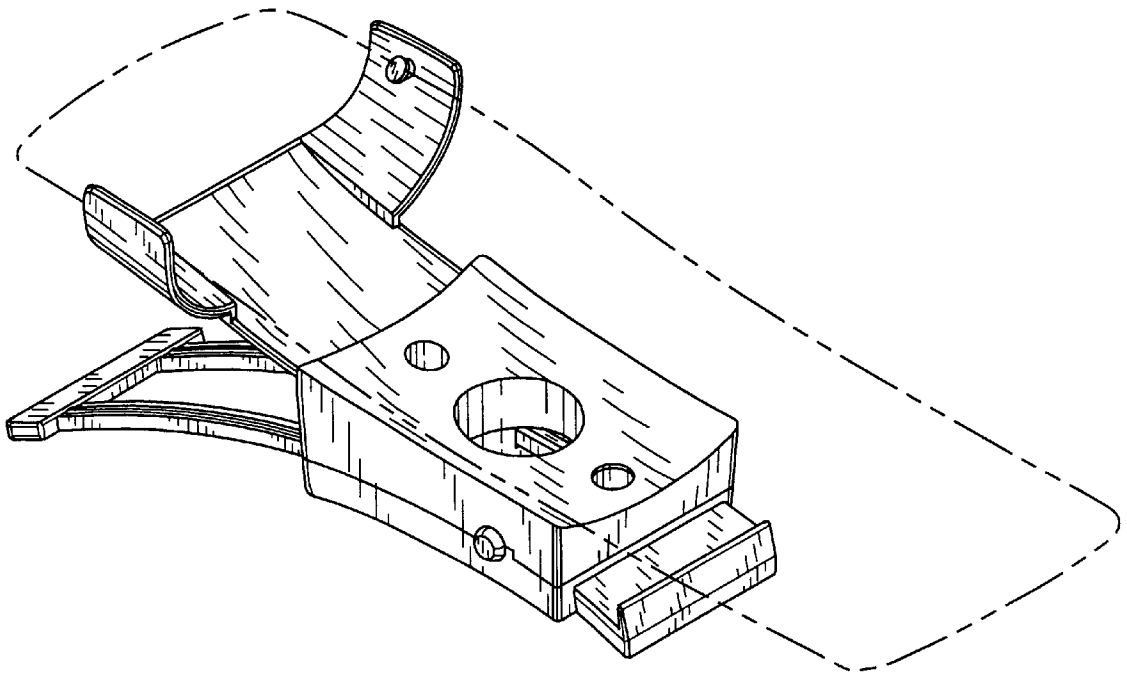


FIG. 8

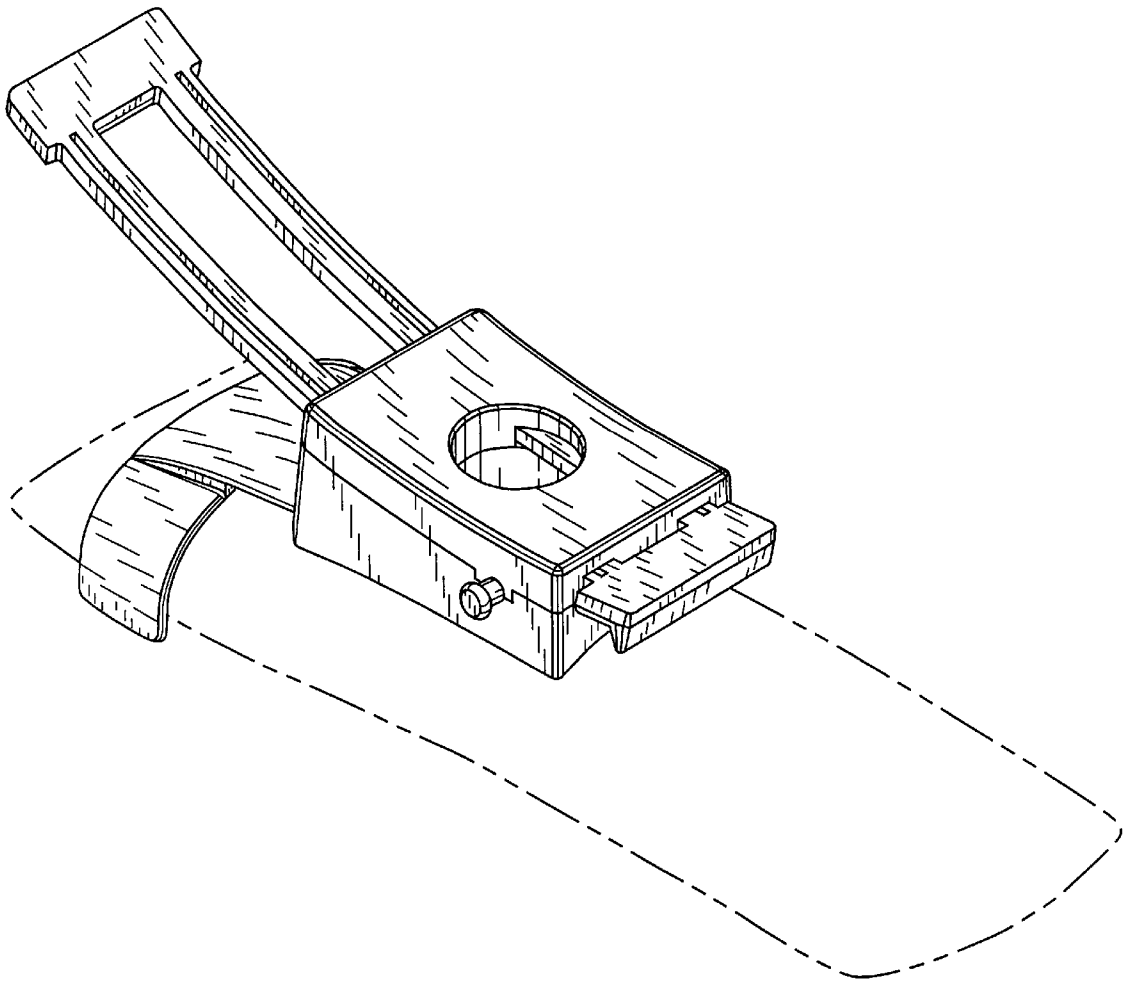


FIG. 9

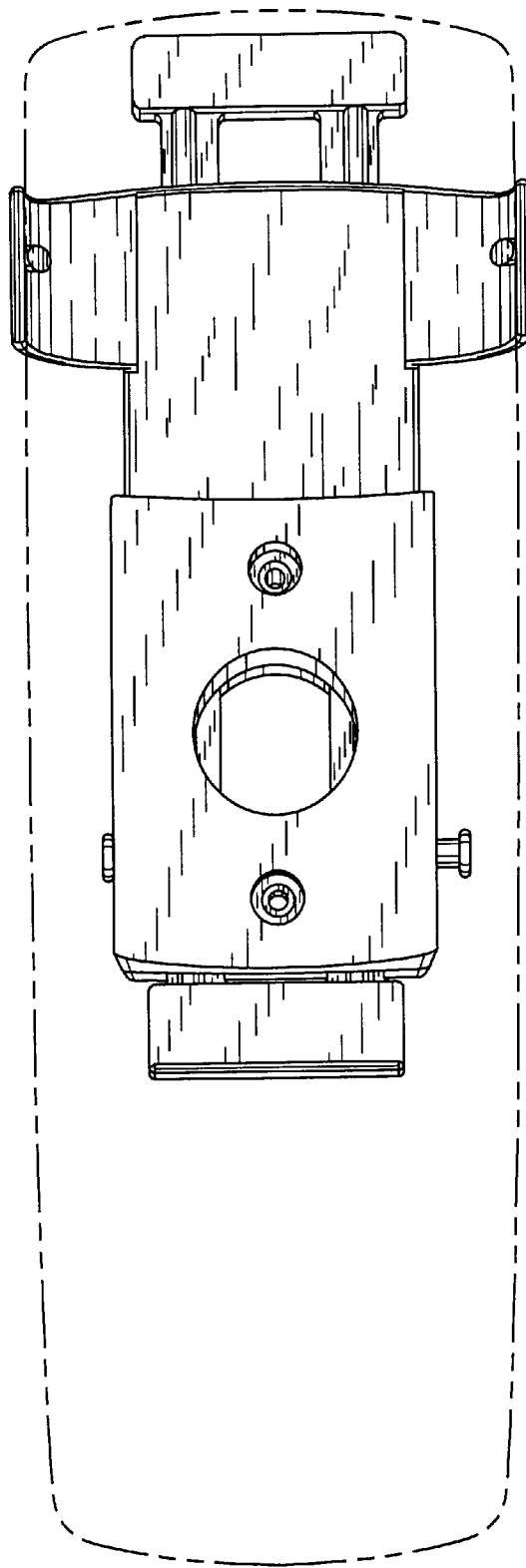


FIG. 10

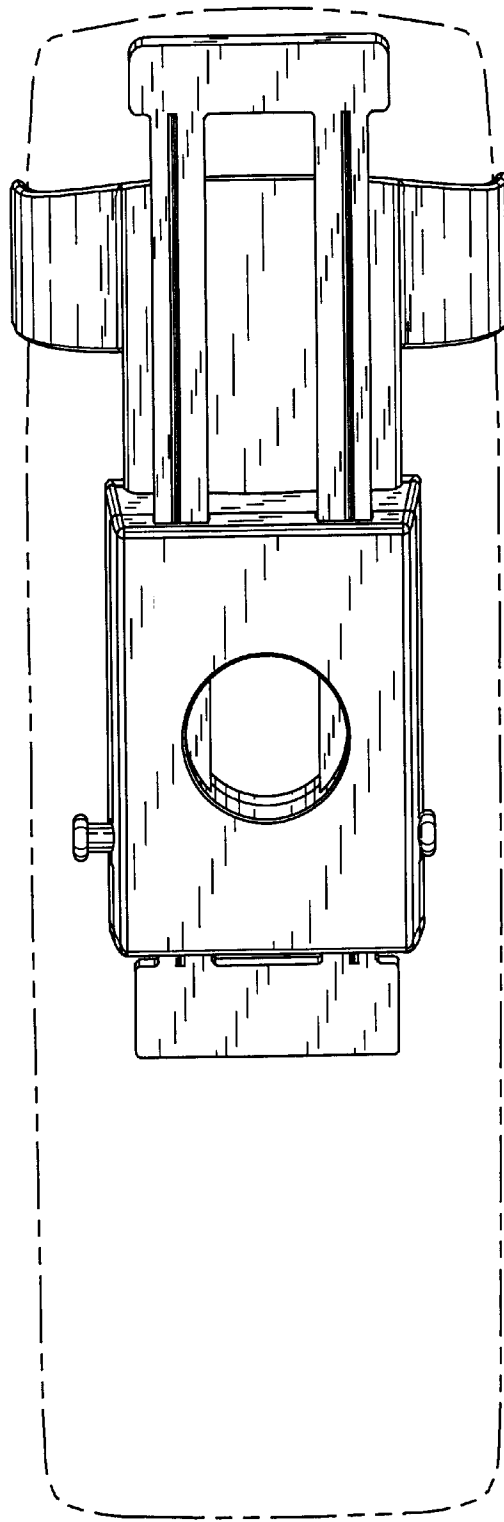


FIG 11

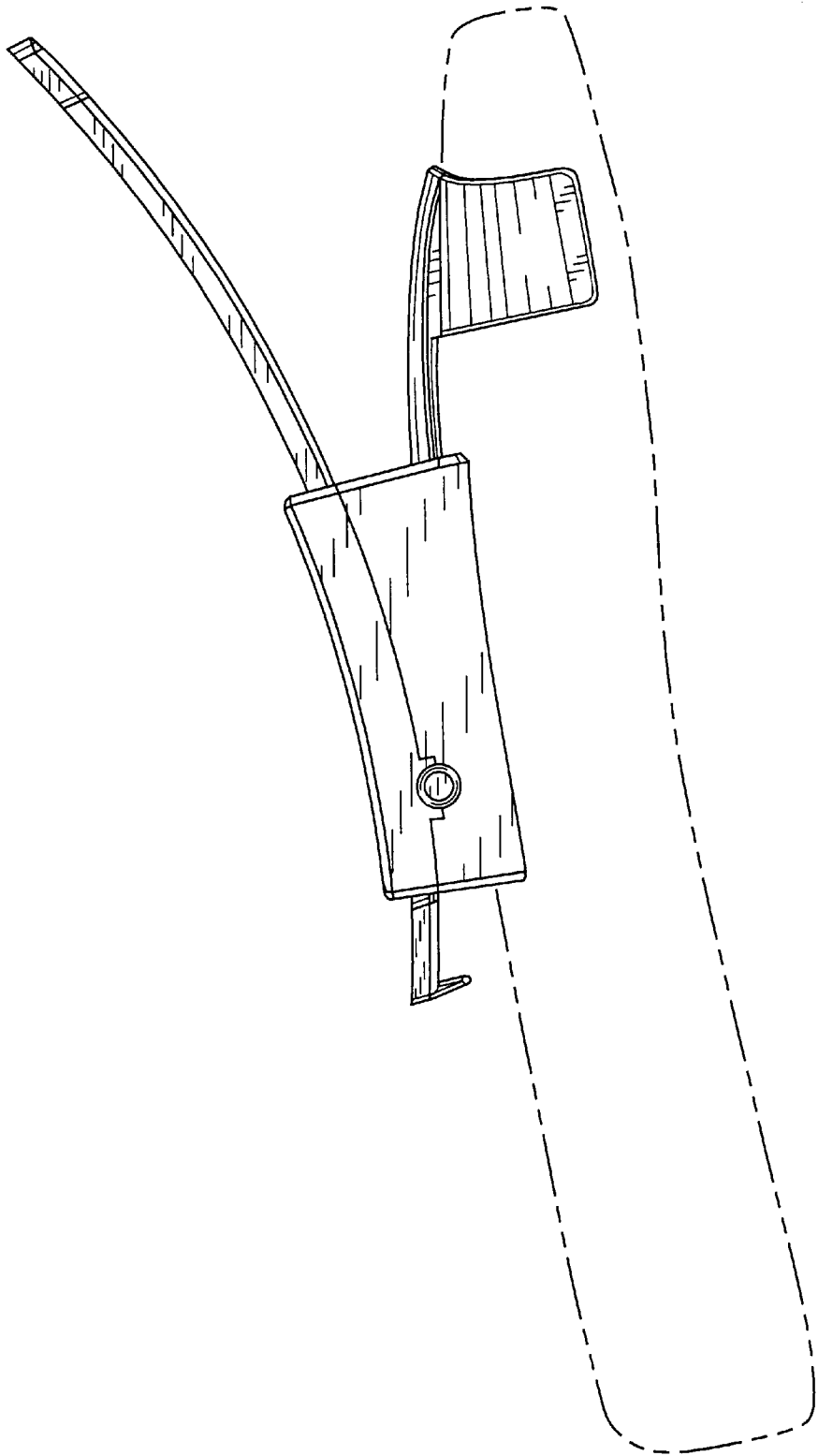


FIG 12

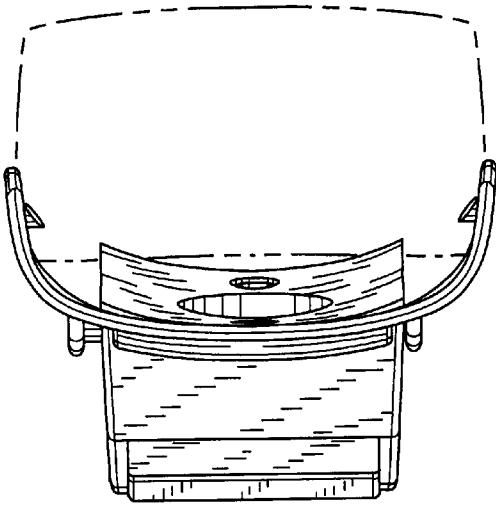


FIG. 13

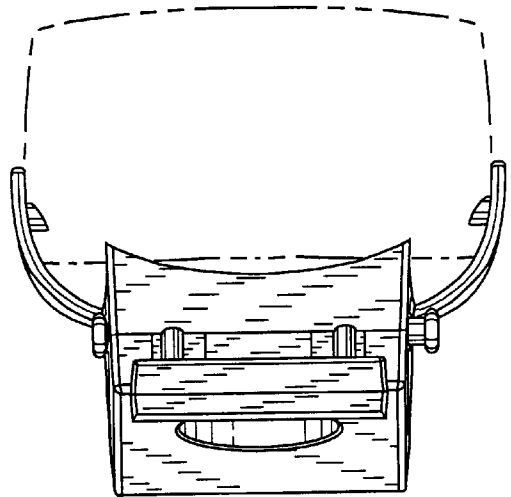


FIG. 14