



- (51) International Patent Classification:
H02J 7/34 (2006.01) *H02J 7/00* (2006.01)
- (21) International Application Number:
PCT/US2012/028808
- (22) International Filing Date:
12 March 2012 (12.03.2012)
- (25) Filing Language: English
- (26) Publication Language: English
- (30) Priority Data:
13/051,651 18 March 2011 (18.03.2011) US
- (71) Applicant (for all designated States except US):
MEDTRONIC MINIMED, INC. [US/US]; 18000
Devonshire Street, Northridge, California 91325-1219
(US).
- (72) Inventors; and
- (75) Inventors/Applicants (for US only): **TROCK, Adam**
[US/US]; 549 East Palm Avenue, No. 105, Burbank, California 91501 (US). **SPURLIN, Jon** [US/US]; 8900 Oak
Park Avenue, Northridge, California 91325 (US). **OR-TEGA, Michael** [US/US]; 385 East Green Street, No. 2402,
Pasadena, California 91101 (US). **KAZARIANS, Seth** [US/US]; 19029 Nordhoff Street, No. 308, North-
ridge, California 91324 (US).
- (74) Agent: **TAKAHASHI, Mark**; Ingrassia Fisher & Lorenz,
PC, 7010 E Cochise Rd, Scottsdale, Arizona 85253 (US).

- (81) Designated States (unless otherwise indicated, for every kind of national protection available): AE, AG, AL, AM, AO, AT, AU, AZ, BA, BB, BG, BH, BR, BW, BY, BZ, CA, CH, CL, CN, CO, CR, CU, CZ, DE, DK, DM, DO, DZ, EC, EE, EG, ES, FI, GB, GD, GE, GH, GM, GT, HN, HR, HU, ID, IL, IN, IS, JP, KE, KG, KM, KN, KP, KR, KZ, LA, LC, LK, LR, LS, LT, LU, LY, MA, MD, ME, MG, MK, MN, MW, MX, MY, MZ, NA, NG, NI, NO, NZ, OM, PE, PG, PH, PL, PT, QA, RO, RS, RU, RW, SC, SD, SE, SG, SK, SL, SM, ST, SV, SY, TH, TJ, TM, TN, TR, TT, TZ, UA, UG, US, UZ, VC, VN, ZA, ZM, ZW.
- (84) Designated States (unless otherwise indicated, for every kind of regional protection available): ARIPO (BW, GH, GM, KE, LR, LS, MW, MZ, NA, RW, SD, SL, SZ, TZ, UG, ZM, ZW), Eurasian (AM, AZ, BY, KG, KZ, MD, RU, TJ, TM), European (AL, AT, BE, BG, CH, CY, CZ, DE, DK, EE, ES, FI, FR, GB, GR, HR, HU, IE, IS, IT, LT, LU, LV, MC, MK, MT, NL, NO, PL, PT, RO, RS, SE, SI, SK, SM, TR), OAPI (BF, BJ, CF, CG, CI, CM, GA, GN, GQ, GW, ML, MR, NE, SN, TD, TG).

- Published:
 - with international search report (Art. 21(3))
 - before the expiration of the time limit for amending the claims and to be republished in the event of receipt of amendments (Rule 48.2(h))
- (88) Date of publication of the international search report:
23 January 2014

(54) Title: POWER CONTROL TECHNIQUES FOR AN ELECTRONIC DEVICE

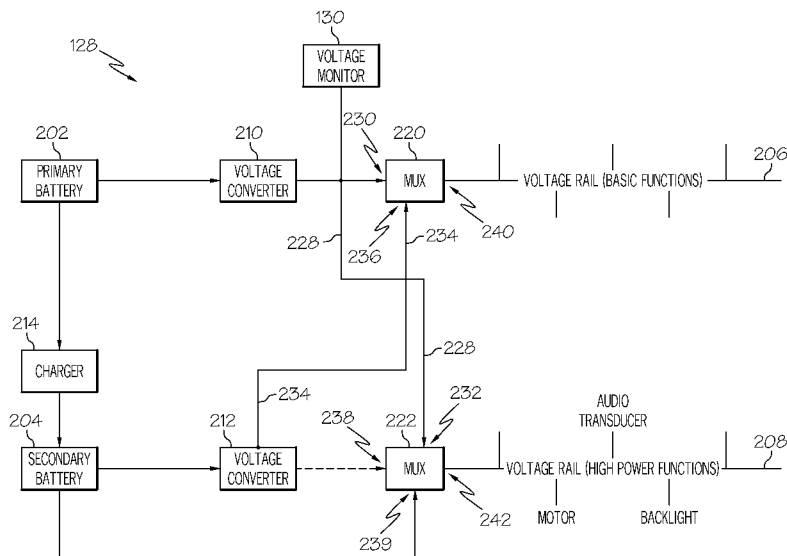


FIG. 4

(57) Abstract: A portable electronic device, such as a fluid infusion device, obtains its operating power from a primary battery and a secondary battery. The primary battery may be a replaceable battery, and the secondary battery may be a rechargeable battery that can be charged with the primary battery under certain conditions. The device utilizes a power management scheme that transitions between the primary battery and/or the secondary battery to prolong the useful life of the primary battery. The device may also generate an intelligent battery life indicator that displays an accurate representation of the remaining life of the primary battery.

WO 2012/128988 A3

INTERNATIONAL SEARCH REPORT

International application No PCT/US2012/028808
--

A. CLASSIFICATION OF SUBJECT MATTER INV. H02J7/34 H02J7/00 ADD.				
According to International Patent Classification (IPC) or to both national classification and IPC				
B. FIELDS SEARCHED				
Minimum documentation searched (classification system followed by classification symbols) H02J				
Documentation searched other than minimum documentation to the extent that such documents are included in the fields searched				
Electronic data base consulted during the international search (name of data base and, where practicable, search terms used) EPO-Internal, WPI Data				
C. DOCUMENTS CONSIDERED TO BE RELEVANT				
Category*	Citation of document, with indication, where appropriate, of the relevant passages	Relevant to claim No.		
X	DE 10 2009 033309 A1 (CONTINENTAL AUTOMOTIVE GMBH [DE]) 27 January 2011 (2011-01-27) paragraph [0006] paragraphs [0014] - [0016] paragraphs [0028] - [0037]; figure 2 -----	1-27		
A	US 2001/054878 A1 (ODAOHHARA SHIGEFUMI [JP]) 27 December 2001 (2001-12-27) paragraphs [0103] - [0104]; figure 6 -----	1-27		
<input type="checkbox"/> Further documents are listed in the continuation of Box C. <input checked="" type="checkbox"/> See patent family annex.				
* Special categories of cited documents : <table style="width: 100%; border: none;"> <tr> <td style="width: 50%; border: none; vertical-align: top;"> "A" document defining the general state of the art which is not considered to be of particular relevance "E" earlier application or patent but published on or after the international filing date "L" document which may throw doubts on priority claim(s) or which is cited to establish the publication date of another citation or other special reason (as specified) "O" document referring to an oral disclosure, use, exhibition or other means "P" document published prior to the international filing date but later than the priority date claimed </td> <td style="width: 50%; border: none; vertical-align: top;"> "T" later document published after the international filing date or priority date and not in conflict with the application but cited to understand the principle or theory underlying the invention "X" document of particular relevance; the claimed invention cannot be considered novel or cannot be considered to involve an inventive step when the document is taken alone "Y" document of particular relevance; the claimed invention cannot be considered to involve an inventive step when the document is combined with one or more other such documents, such combination being obvious to a person skilled in the art "&" document member of the same patent family </td> </tr> </table>			"A" document defining the general state of the art which is not considered to be of particular relevance "E" earlier application or patent but published on or after the international filing date "L" document which may throw doubts on priority claim(s) or which is cited to establish the publication date of another citation or other special reason (as specified) "O" document referring to an oral disclosure, use, exhibition or other means "P" document published prior to the international filing date but later than the priority date claimed	"T" later document published after the international filing date or priority date and not in conflict with the application but cited to understand the principle or theory underlying the invention "X" document of particular relevance; the claimed invention cannot be considered novel or cannot be considered to involve an inventive step when the document is taken alone "Y" document of particular relevance; the claimed invention cannot be considered to involve an inventive step when the document is combined with one or more other such documents, such combination being obvious to a person skilled in the art "&" document member of the same patent family
"A" document defining the general state of the art which is not considered to be of particular relevance "E" earlier application or patent but published on or after the international filing date "L" document which may throw doubts on priority claim(s) or which is cited to establish the publication date of another citation or other special reason (as specified) "O" document referring to an oral disclosure, use, exhibition or other means "P" document published prior to the international filing date but later than the priority date claimed	"T" later document published after the international filing date or priority date and not in conflict with the application but cited to understand the principle or theory underlying the invention "X" document of particular relevance; the claimed invention cannot be considered novel or cannot be considered to involve an inventive step when the document is taken alone "Y" document of particular relevance; the claimed invention cannot be considered to involve an inventive step when the document is combined with one or more other such documents, such combination being obvious to a person skilled in the art "&" document member of the same patent family			
Date of the actual completion of the international search	Date of mailing of the international search report			
2 December 2013	10/12/2013			
Name and mailing address of the ISA/ European Patent Office, P.B. 5818 Patentlaan 2 NL - 2280 HV Rijswijk Tel. (+31-70) 340-2040, Fax: (+31-70) 340-3016	Authorized officer Marannino, M			

INTERNATIONAL SEARCH REPORT

Information on patent family members

International application No
PCT/US2012/028808

Patent document cited in search report	Publication date	Patent family member(s)	Publication date
DE 102009033309 A1	27-01-2011	DE 102009033309 A1	27-01-2011
		WO 2011006888 A2	20-01-2011

US 2001054878 A1	27-12-2001	NONE	
