



US00D788862S

(12) **United States Design Patent**  
**Dierickx**

(10) **Patent No.:** **US D788,862 S**

(45) **Date of Patent:** **\*\* Jun. 6, 2017**

- (54) **COVER FOR DUMBBELL WEIGHTS**
- (71) Applicant: **Tanika Christina Dierickx**, Key Biscayne, FL (US)
- (72) Inventor: **Tanika Christina Dierickx**, Key Biscayne, FL (US)
- (73) Assignee: **Lift In Style Inc.**, Key Biscayne, FL (US)
- (\*\*) Term: **15 Years**
- (21) Appl. No.: **29/552,420**
- (22) Filed: **Jan. 22, 2016**
- (51) **LOC (10) Cl.** ..... **21-02**
- (52) **U.S. Cl.**  
USPC ..... **D21/694; D21/681**
- (58) **Field of Classification Search**  
USPC ..... D21/622, 665, 673, 680-684, 691, 694;  
D2/866-869; 482/133-134  
CPC .... A42B 1/16; A42B 1/12; A42B 1/04; A42B 1/002; A42B 1/004; A42B 1/006; A42B 1/041; A42B 1/043; A42B 1/046; A42B 1/201; A42B 1/206; A63B 21/00; A63B 21/072; A63B 22/00; A63B 23/00  
See application file for complete search history.

D720,120 S *	12/2014	Simmonds	.....	D2/867
2005/0050611 A1*	3/2005	Donovan	.....	A42B 1/008 2/174
2005/0130815 A1*	6/2005	Abdoli-Eramaki	.....	A61F 5/026 482/121
2008/0196144 A1*	8/2008	Ruiz	.....	A42B 1/043 2/171
2008/0289081 A1*	11/2008	Grey	.....	A42B 1/041 2/204
2009/0151046 A1*	6/2009	Donovan	.....	A42B 1/12 2/174
2009/0197742 A1*	8/2009	Hartman	.....	A63B 21/026 482/50
2010/0192273 A1*	8/2010	Dodd	.....	A63B 33/00 2/68
2010/0192282 A1*	8/2010	Matthews	.....	A45D 8/40 2/174

(Continued)

*Primary Examiner* — Caron D Veynar  
*Assistant Examiner* — Mehri Bajoul  
(74) *Attorney, Agent, or Firm* — Dunlap Bennett & Ludwig PLLC

(57) **CLAIM**

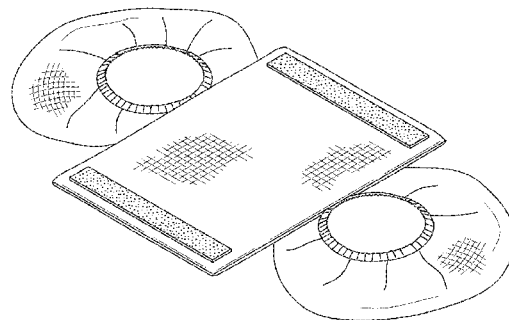
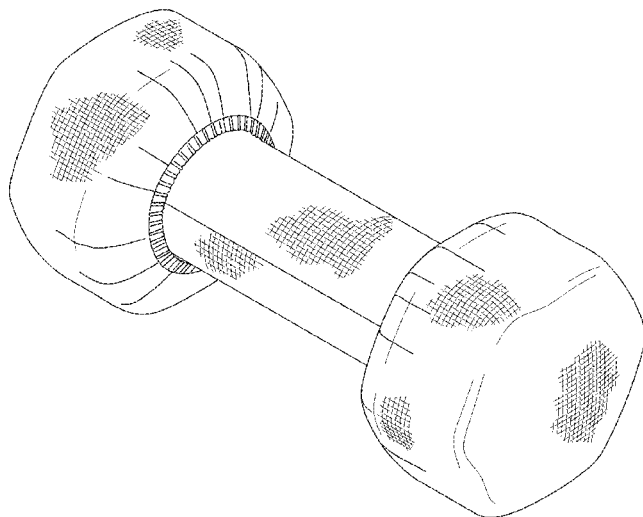
The ornamental design for a cover for dumbbell weights, as shown and described.

**DESCRIPTION**

FIG. 1 is a top front perspective view of the cover for dumbbell weights;  
FIG. 2 is a front elevation view thereof;  
FIG. 3 is a rear elevation view thereof;  
FIG. 4 is a top elevation view thereof;  
FIG. 5 is a bottom elevation view thereof;  
FIG. 6 is a right elevation view of the cover for dumbbell weights, with the left elevation view being a mirror image thereof; and,  
FIG. 7 is a top front perspective view thereof, laid flat.

**1 Claim, 4 Drawing Sheets**

- (56) **References Cited**  
U.S. PATENT DOCUMENTS
- 2,822,549 A \* 2/1958 Glass ..... A42B 1/002  
2/195.5
- 3,138,801 A \* 6/1964 Brodsky ..... A42B 1/12  
2/174
- 3,505,149 A \* 4/1970 Sanchez ..... A42B 1/12  
156/160
- 6,099,443 A \* 8/2000 Landfair ..... A63B 21/072  
482/107
- 7,895,672 B2 \* 3/2011 Grey ..... A42B 1/041  
2/171
- D696,736 S \* 12/2013 Preston ..... D21/680



(56)

**References Cited**

U.S. PATENT DOCUMENTS

2013/0310229	A1*	11/2013	Kovach .....	A63B 21/0004 482/106
2014/0101821	A1*	4/2014	Dammann .....	A42B 1/12 2/171.4
2014/0109292	A1*	4/2014	Calhoun .....	A42C 5/04 2/171.3
2016/0066639	A1*	3/2016	Brown .....	A42B 1/12 2/68

\* cited by examiner

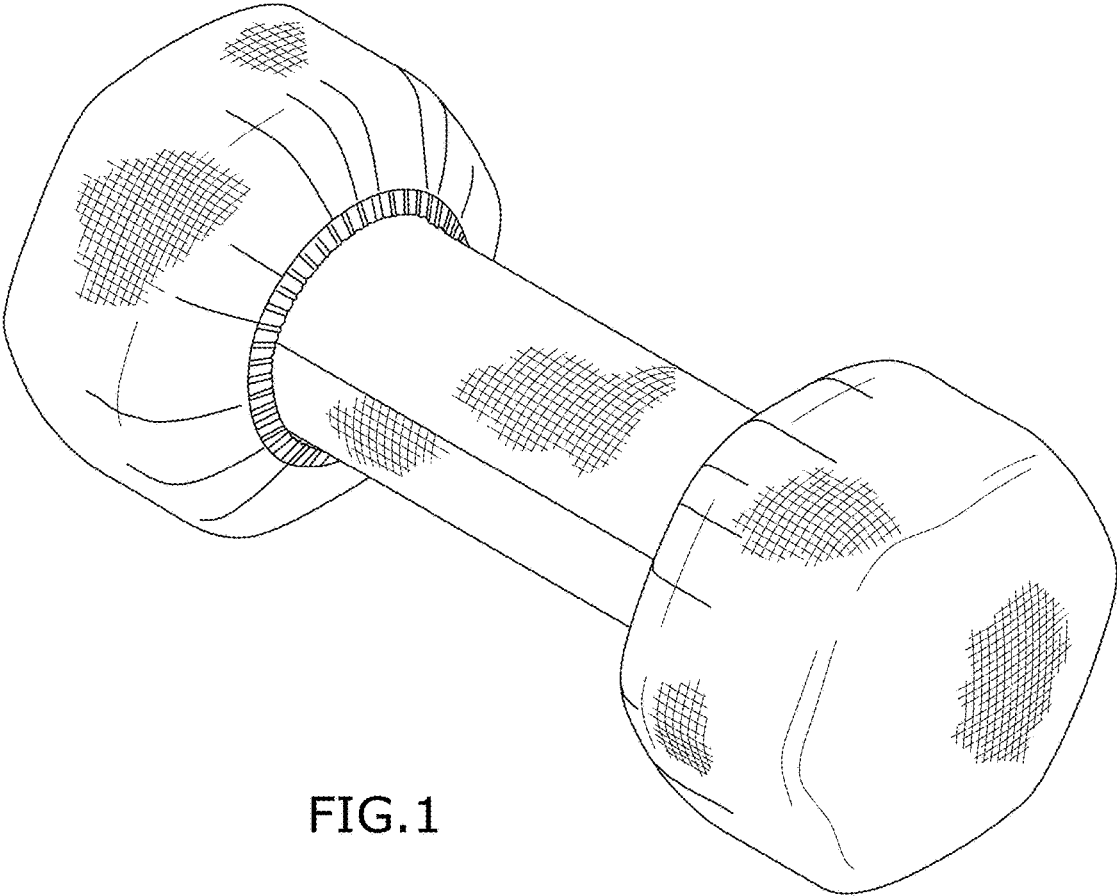


FIG. 1

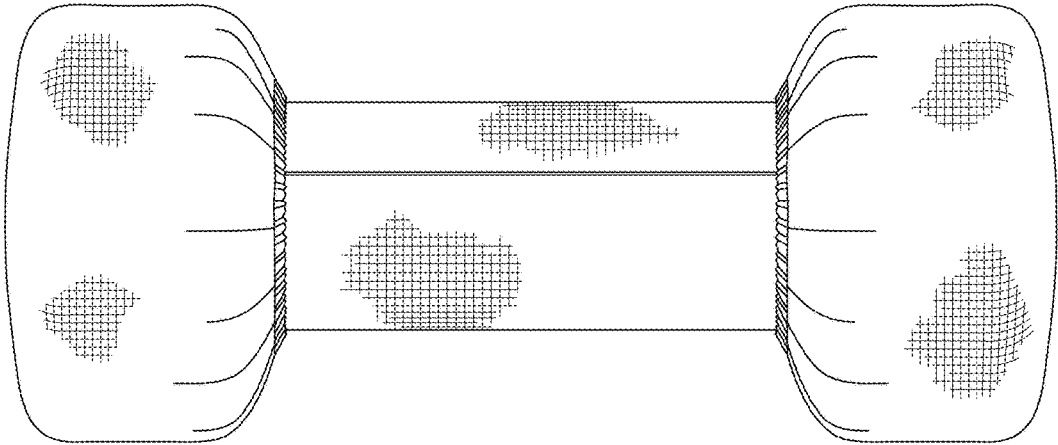


FIG. 2

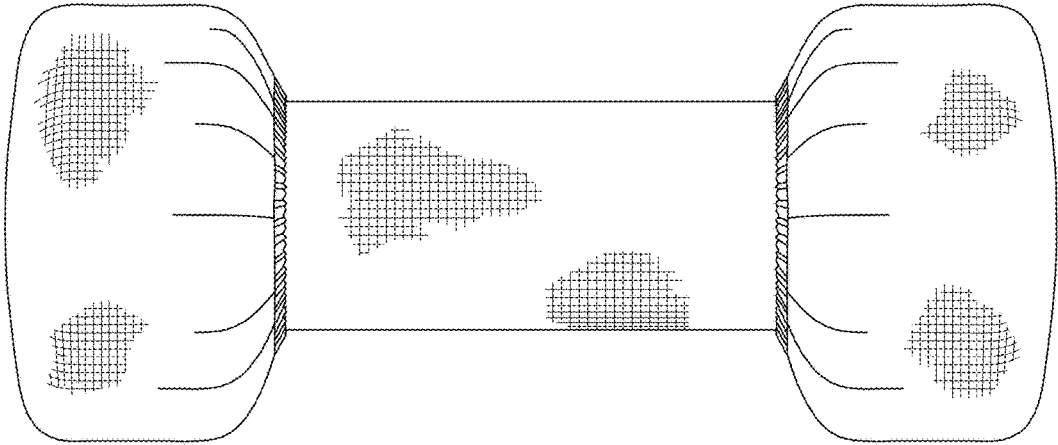


FIG. 3

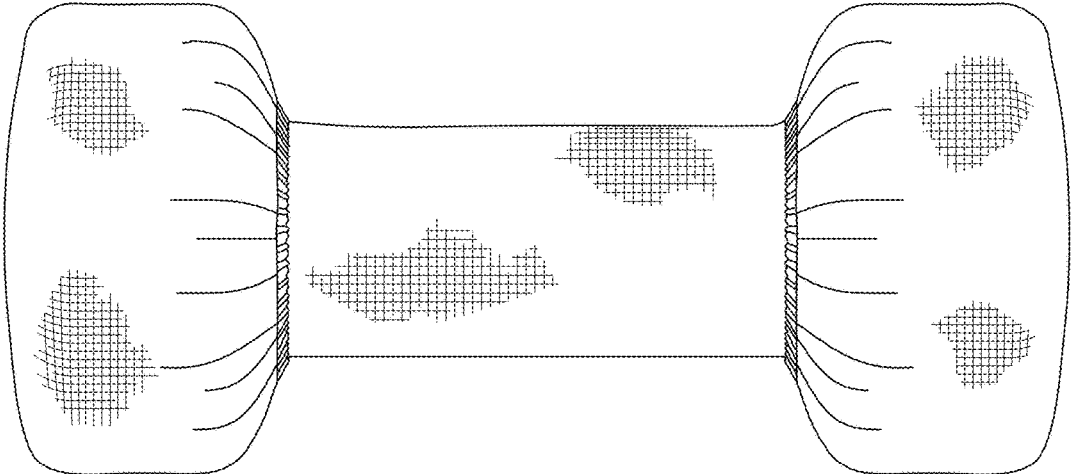


FIG. 4

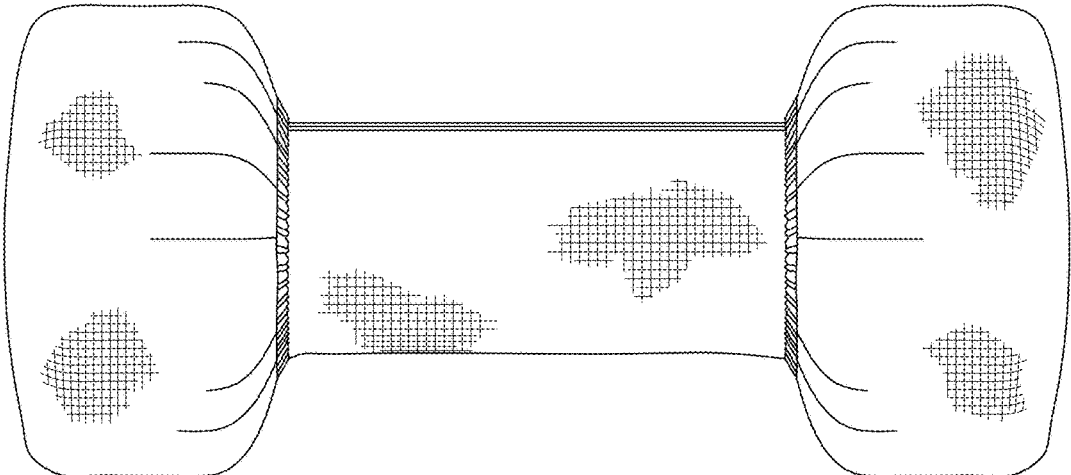


FIG. 5

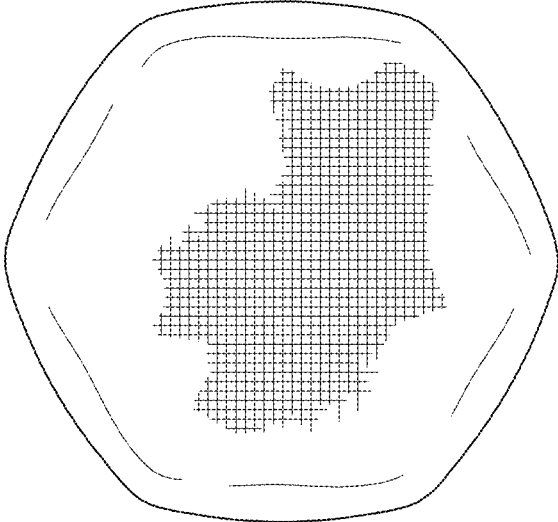


FIG. 6

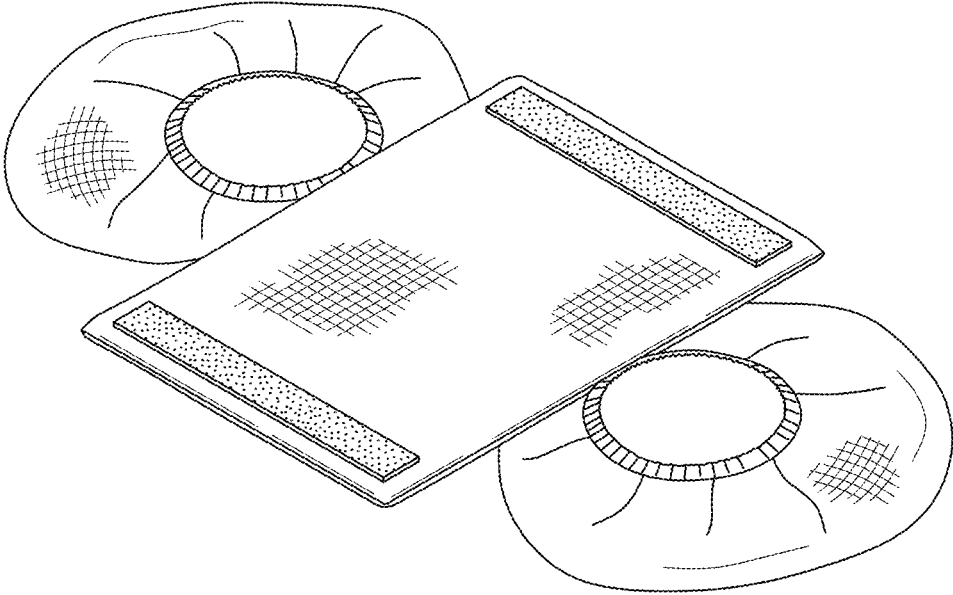


FIG. 7