



(51) International Patent Classification:

C09J 7/29 (2018.01) C09J 7/32 (2018.01)
C09J 103/04 (2006.01) C09J 7/21 (2018.01)

(21) International Application Number:

PCT/US2021/049135

(22) International Filing Date:

03 September 2021 (03.09.2021)

(25) Filing Language:

English

(26) Publication Language:

English

(30) Priority Data:

63/076,235 09 September 2020 (09.09.2020) US

(71) Applicant: **INTERTAPE POLYMER CORP.** [US/US];
100 Paramount Drive, Suite 300, Sarasota, Florida 34232 (US).

(72) Inventors: **TYNAN, John K.**; c/o Intertape Polymer Corp.,
100 Paramount Drive, Suite 300, Sarasota, Florida 34232 (US). **CULLEN, John**; c/o Intertape Polymer Corp.,
100 Paramount Drive, Suite 300, Sarasota, Florida 34232 (US). **ISSER, Nathan**; c/o Intertape Polymer Corp.,
100 Paramount Drive, Suite 300, Sarasota, Florida 34232 (US).

(74) Agent: **KNORS, Christopher J.**; Moore & Van Allen PLLC, ATTN: IP Department, 100 North Tryon Street,
Suite 4700, Charlotte, North Carolina 28202-4003 (US).

(81) Designated States (unless otherwise indicated, for every kind of national protection available):

AE, AG, AL, AM, AO, AT, AU, AZ, BA, BB, BG, BH, BN, BR, BW, BY, BZ, CA, CH, CL, CN, CO, CR, CU, CZ, DE, DJ, DK, DM, DO, DZ, EC, EE, EG, ES, FI, GB, GD, GE, GH, GM, GT, HN, HR, HU, ID, IL, IN, IR, IS, IT, JO, JP, KE, KG, KH, KN, KP, KR, KW, KZ, LA, LC, LK, LR, LS, LU, LY, MA, MD, ME, MG, MK, MN, MW, MX, MY, MZ, NA, NG, NI, NO, NZ, OM, PA, PE, PG, PH, PL, PT, QA, RO, RS, RU, RW, SA, SC, SD, SE, SG, SK, SL, ST, SV, SY, TH, TJ, TM, TN, TR, TT, TZ, UA, UG, US, UZ, VC, VN, WS, ZA, ZM, ZW.

(84) Designated States (unless otherwise indicated, for every kind of regional protection available):

ARIPO (BW, GH, GM, KE, LR, LS, MW, MZ, NA, RW, SD, SL, ST, SZ, TZ, UG, ZM, ZW), Eurasian (AM, AZ, BY, KG, KZ, RU, TJ, TM), European (AL, AT, BE, BG, CH, CY, CZ, DE, DK, EE, ES, FI, FR, GB, GR, HR, HU, IE, IS, IT, LT, LU, LV, MC, MK, MT, NL, NO, PL, PT, RO, RS, SE, SI, SK, SM, TR), OAPI (BF, BJ, CF, CG, CI, CM, GA, GN, GQ, GW, KM, ML, MR, NE, SN, TD, TG).

Declarations under Rule 4.17:

- as to applicant's entitlement to apply for and be granted a patent (Rule 4.17(ii))
- as to the applicant's entitlement to claim the priority of the earlier application (Rule 4.17(iii))

(54) Title: SUSTAINABLE WATER ACTIVATED ADHESIVE TAPE

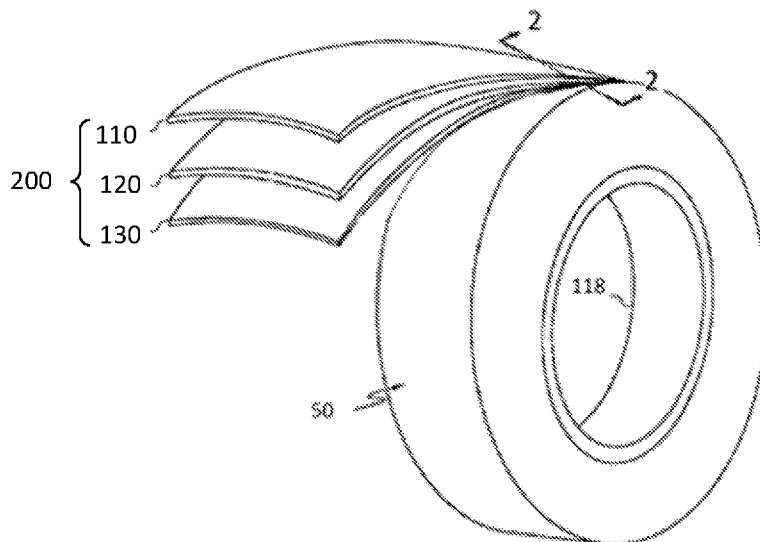


FIG. 1

(57) Abstract: A water activated tape and method of producing is provided, the tape comprising a repulpable material, a water-soluble material affixed to the repulpable material, and a water activated adhesive layer affixed to the water-soluble material.



Published:

- *with international search report (Art. 21(3))*
- *before the expiration of the time limit for amending the claims and to be republished in the event of receipt of amendments (Rule 48.2(h))*

(88) Date of publication of the international search report:

21 April 2022 (21.04.2022)

INTERNATIONAL SEARCH REPORT

International application No
PCT/US2021/049135

A. CLASSIFICATION OF SUBJECT MATTER INV. C09J7/29 C09J103/04 C09J7/32 C09J7/21 ADD.		
According to International Patent Classification (IPC) or to both national classification and IPC		
B. FIELDS SEARCHED		
Minimum documentation searched (classification system followed by classification symbols) C09J		
Documentation searched other than minimum documentation to the extent that such documents are included in the fields searched		
Electronic data base consulted during the international search (name of data base and, where practicable, search terms used) EPO-Internal		
C. DOCUMENTS CONSIDERED TO BE RELEVANT		
Category*	Citation of document, with indication, where appropriate, of the relevant passages	Relevant to claim No.
Y	US 2015/376467 A1 (ARTHURS TREVOR [CA] ET AL) 31 December 2015 (2015-12-31) paragraphs [0024], [0025]; claims 1-19; figures 1,2; examples 1-6 -----	1-20
Y	US 2009/123736 A1 (GREEN TERRELL J [US]) 14 May 2009 (2009-05-14) paragraphs [0009] - [0011]; claims 1-13; tables 1,2 -----	1-20
<input type="checkbox"/> Further documents are listed in the continuation of Box C. <input checked="" type="checkbox"/> See patent family annex.		
* Special categories of cited documents :		
"A" document defining the general state of the art which is not considered to be of particular relevance "E" earlier application or patent but published on or after the international filing date "L" document which may throw doubts on priority claim(s) or which is cited to establish the publication date of another citation or other special reason (as specified) "O" document referring to an oral disclosure, use, exhibition or other means "P" document published prior to the international filing date but later than the priority date claimed	"T" later document published after the international filing date or priority date and not in conflict with the application but cited to understand the principle or theory underlying the invention "X" document of particular relevance; the claimed invention cannot be considered novel or cannot be considered to involve an inventive step when the document is taken alone "Y" document of particular relevance; the claimed invention cannot be considered to involve an inventive step when the document is combined with one or more other such documents, such combination being obvious to a person skilled in the art "&" document member of the same patent family	
Date of the actual completion of the international search 1 March 2022	Date of mailing of the international search report 10/03/2022	
Name and mailing address of the ISA/ European Patent Office, P.B. 5818 Patentlaan 2 NL - 2280 HV Rijswijk Tel. (+31-70) 340-2040, Fax: (+31-70) 340-3016	Authorized officer Sperry, Pascal	

INTERNATIONAL SEARCH REPORT

Information on patent family members

International application No

PCT/US2021/049135

Patent document cited in search report	Publication date	Patent family member(s)	Publication date
US 2015376467	A1	31-12-2015	
		BR 112016028667 A2	22-08-2017
		CA 2950447 A1	30-12-2015
		CN 106536200 A	22-03-2017
		EP 3160747 A1	03-05-2017
		ES 2711530 T3	06-05-2019
		JP 2017529255 A	05-10-2017
		KR 20170023147 A	02-03-2017
		US 2015376467 A1	31-12-2015
		WO 2015200643 A1	30-12-2015

US 2009123736	A1	14-05-2009	NONE
