



US00D779243S

(12) **United States Design Patent**  
**Wenzel**

(10) **Patent No.:** **US D779,243 S**

(45) **Date of Patent:** **\*\* Feb. 21, 2017**

(54) **PORTABLE TABLE**

(71) Applicant: **Mark Wenzel**, Garden City, NY (US)

(72) Inventor: **Mark Wenzel**, Garden City, NY (US)

(\*\*) Term: **15 Years**

(21) Appl. No.: **29/546,230**

(22) Filed: **Nov. 19, 2015**

**Related U.S. Application Data**

(62) Division of application No. 14/725,761, filed on May 29, 2015, now Pat. No. 9,220,337.

(51) **LOC (10) Cl.** ..... **06-04**

(52) **U.S. Cl.**

USPC ..... **D6/686**; D6/691.4

(58) **Field of Classification Search**

USPC ..... D6/691, 691.1, 691.2, 691.6, 641, 691.3, D6/691.4, 656.15, 656, 688.1, 688, 698, D6/390, 382, 692, 692.4, 691.8, 686, 353, D6/688.27, 708.1, 692.2, 692.3, 657, 672, D6/685, 707.19, 691.9, 701, 707, 707.23, D6/644, 656.19; D25/63

CPC ..... A47B 7/00; A47B 13/08; A47B 13/10; A47B 21/00; A47B 25/00; A47B 2009/006; A47B 11/00

See application file for complete search history.

(56) **References Cited**

**U.S. PATENT DOCUMENTS**

162,304	A	4/1875	Postawka	
2,568,534	A	9/1951	Baker	
4,833,999	A *	5/1989	Rhoades	A22C 25/06 108/150
5,417,166	A	5/1995	Credle, Sr.	
D366,372	S *	1/1996	Skarda, Jr.	D6/692.3
5,647,075	A	7/1997	Perkins	

5,651,523	A	7/1997	Bridges	
D382,729	S *	8/1997	Piker	D6/691.4
D387,921	S *	12/1997	Shields	D6/692.3
5,762,004	A	6/1998	Vashon et al.	

(Continued)

**OTHER PUBLICATIONS**

SandStand is a Portable Beach Table No Bigger Than a Chopping Board [online]. Coolthings.com, Jul. 24, 2015 [retrieved on Sep. 12, 2016]. Retrieved from the Internet:<<http://www.coolthings.com/sandstand-portable-beach-table/>>.\*

*Primary Examiner* — Eric Goodman

*Assistant Examiner* — Sloan Rozin

(74) *Attorney, Agent, or Firm* — Winston & Strawn LLP

(57) **CLAIM**

The ornamental design for a portable table, as shown and described.

**DESCRIPTION**

FIG. 1 is a perspective view of a portable table according to a first embodiment of the invention.

FIG. 2 is a perspective view of the bottom surface of the portable table of FIG. 1.

FIG. 3 is a front view of the portable table of FIG. 1.

FIG. 4 is a back view of the portable table of FIG. 1.

FIG. 5 is one end view of the portable table of FIG. 1.

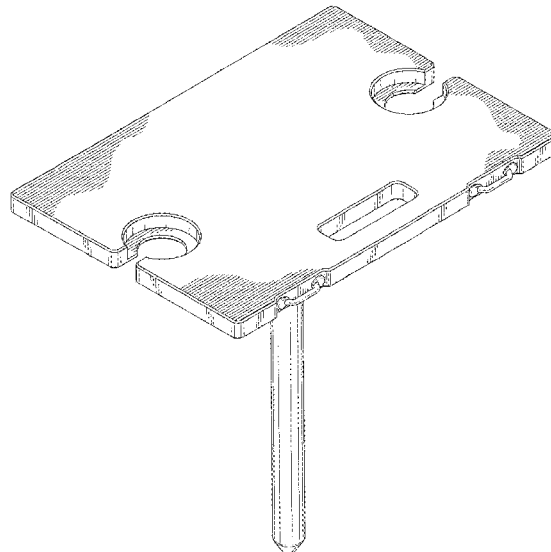
FIG. 6 is an opposite end view of the portable table of FIG. 1.

FIG. 7 is a top view of the portable table of FIG. 1.

FIG. 8 is a bottom view of the portable table of FIG. 1; and,

FIG. 9 is a bottom perspective view of the portable table of the invention in a collapsed configuration for transport.

**1 Claim, 9 Drawing Sheets**



(56)

**References Cited**

## U.S. PATENT DOCUMENTS

5,860,534	A	1/1999	Minneman et al.	
5,918,550	A *	7/1999	Weir .....	A47B 5/06 108/152
6,059,138	A	5/2000	Labruyere	
6,126,256	A	10/2000	Doces, II	
6,264,026	B1	7/2001	Bradley	
6,467,843	B1	10/2002	Rosborough	
6,487,977	B1	12/2002	Williams et al.	
D490,261	S *	5/2004	Astle .....	D6/707.19
D496,181	S *	9/2004	Maness .....	D6/692.3
6,945,502	B2 *	9/2005	Restifo .....	A45F 3/44 248/146
7,207,450	B1	4/2007	Franklin et al.	
7,641,156	B2	1/2010	Medders et al.	
D621,641	S *	8/2010	Li .....	D6/691.4
7,766,179	B2	8/2010	George et al.	
D690,970	S *	10/2013	Boirun .....	D6/692.3
D716,570	S *	11/2014	Keen .....	D6/349
9,220,337	B1 *	12/2015	Wenzel .....	A47B 13/021
2002/0117092	A1	8/2002	Zeiders	
2003/0188673	A1	10/2003	Block et al.	
2007/0246091	A1	10/2007	Becker	
2010/0089294	A1	4/2010	Medina	
2010/0163086	A1	7/2010	Chavez et al.	
2010/0209662	A1	8/2010	Slade et al.	
2011/0209645	A1	9/2011	Albornoz Pinzon et al.	
2012/0234212	A1 *	9/2012	Boirun .....	A47B 37/04 108/28
2014/0102337	A1 *	4/2014	Ralph .....	A47B 37/04 108/25
2015/0173505	A1	6/2015	Mirth et al.	
2015/0208634	A1 *	7/2015	Box .....	A01K 97/10 108/25

\* cited by examiner

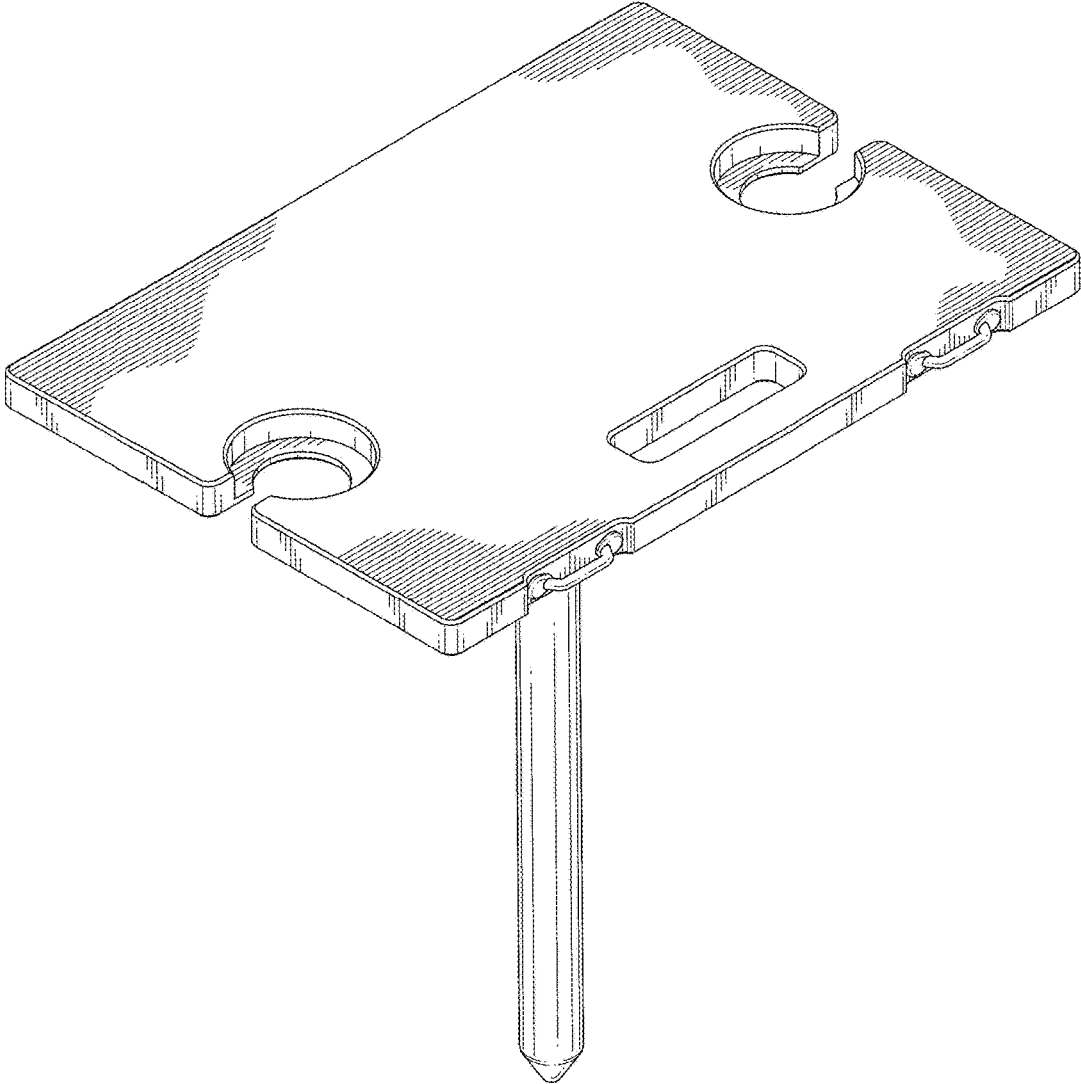


FIG. 1

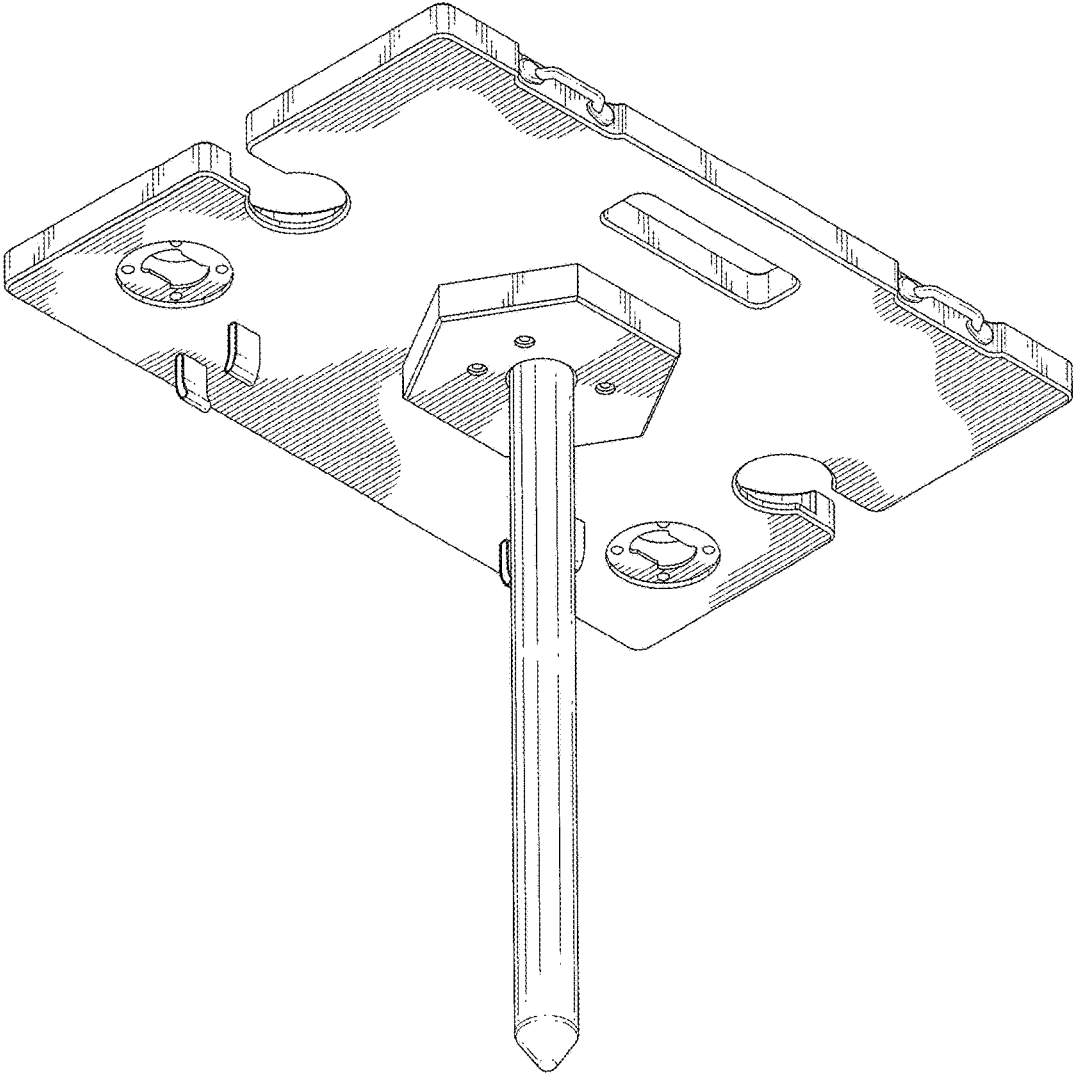


FIG. 2

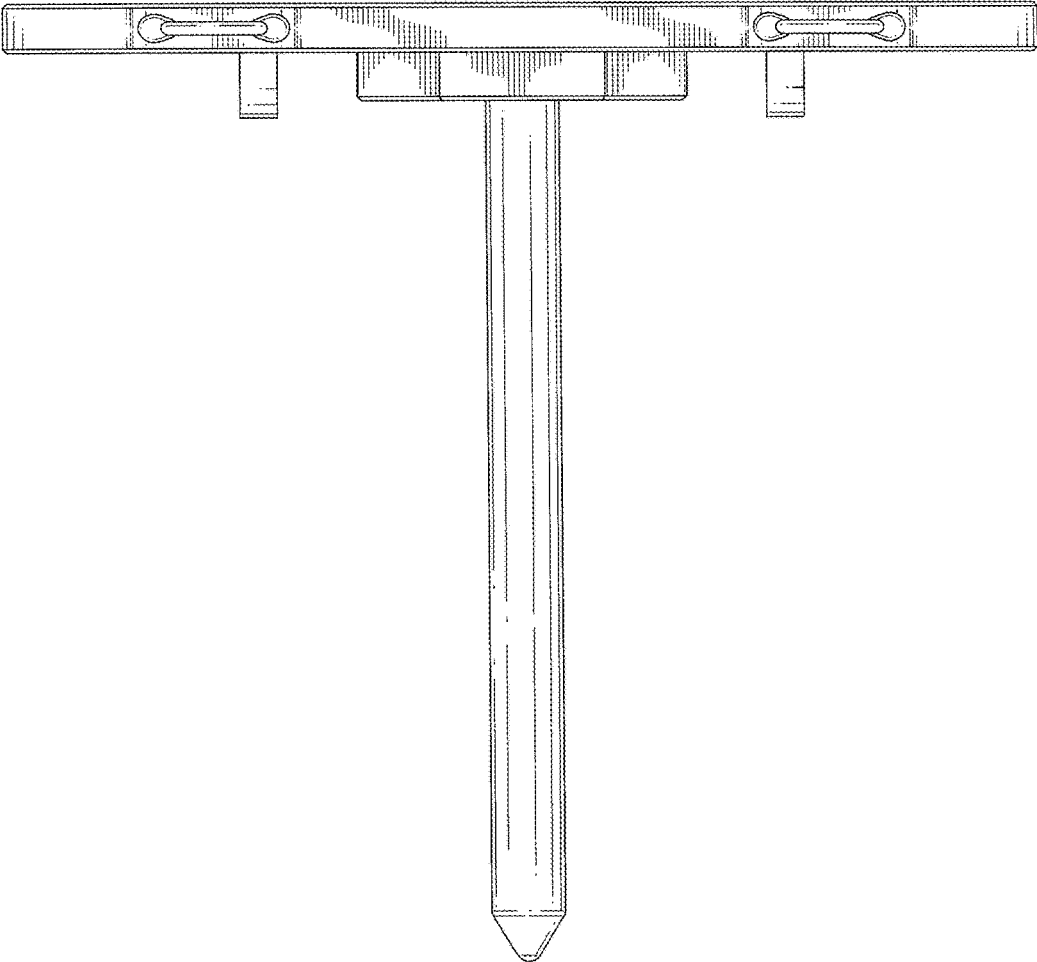


FIG. 3

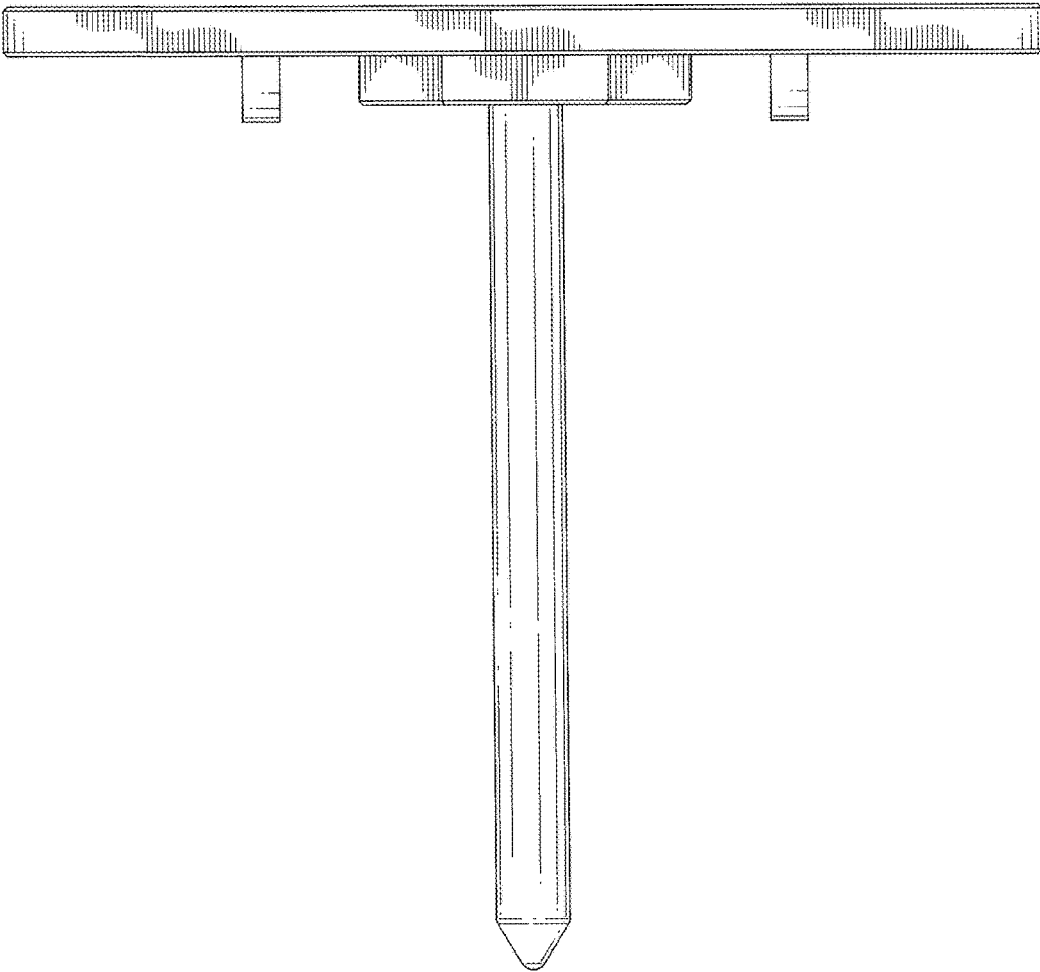


FIG. 4

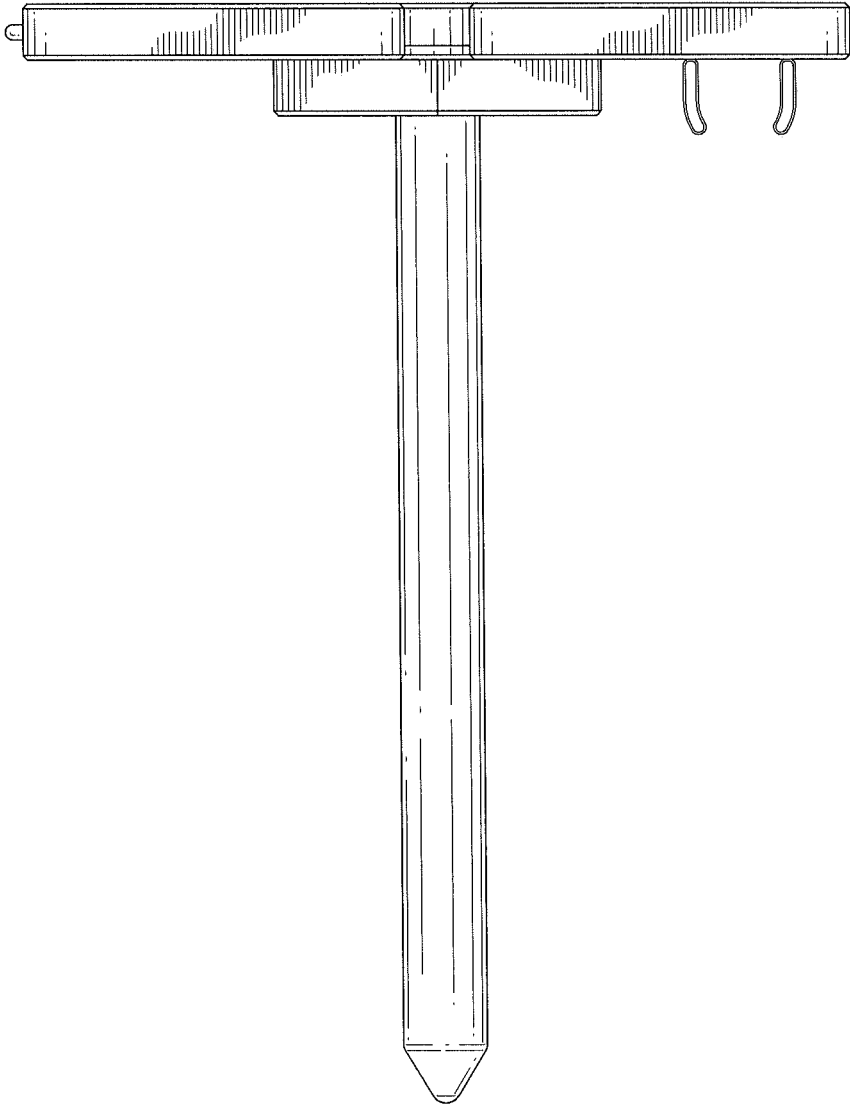


FIG. 5

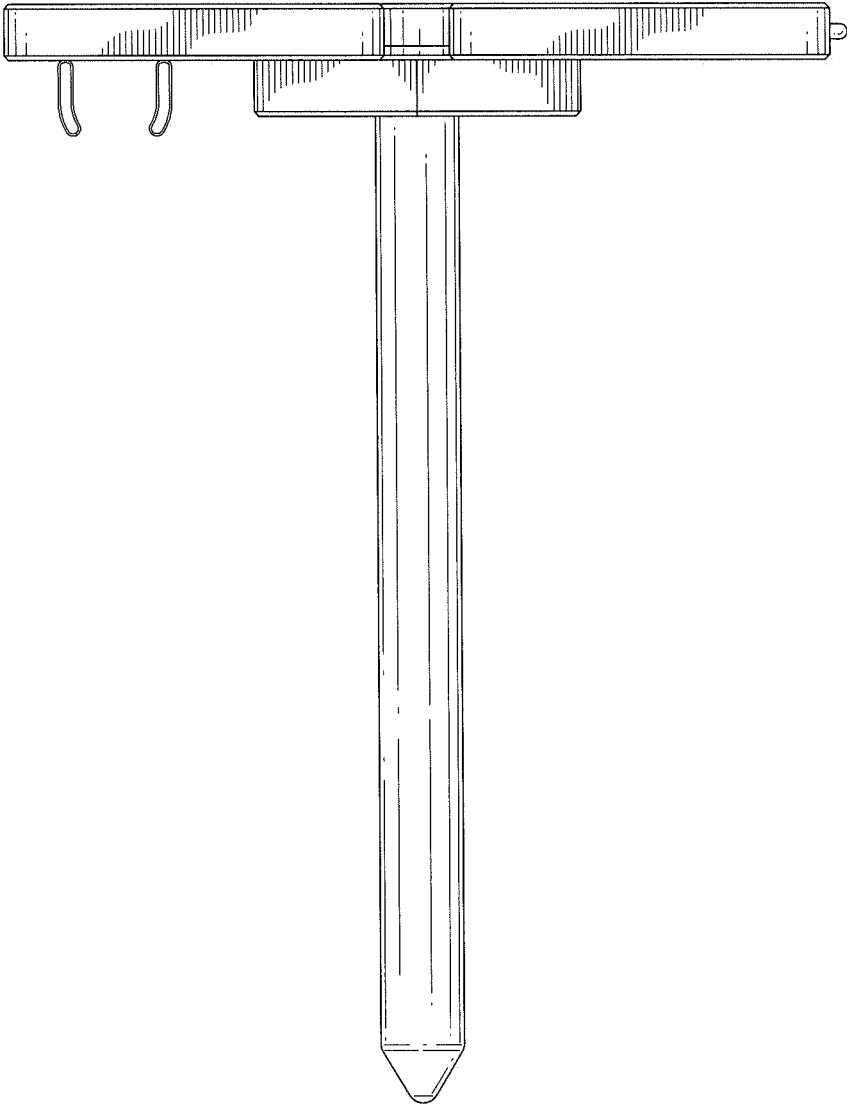


FIG. 6

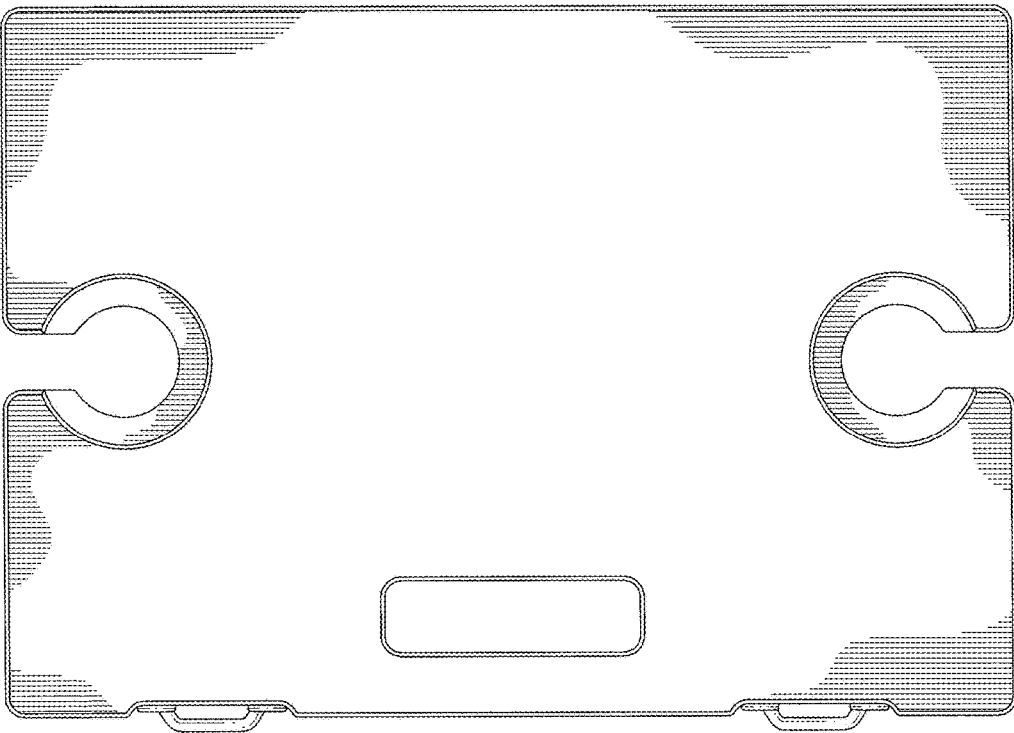


FIG. 7

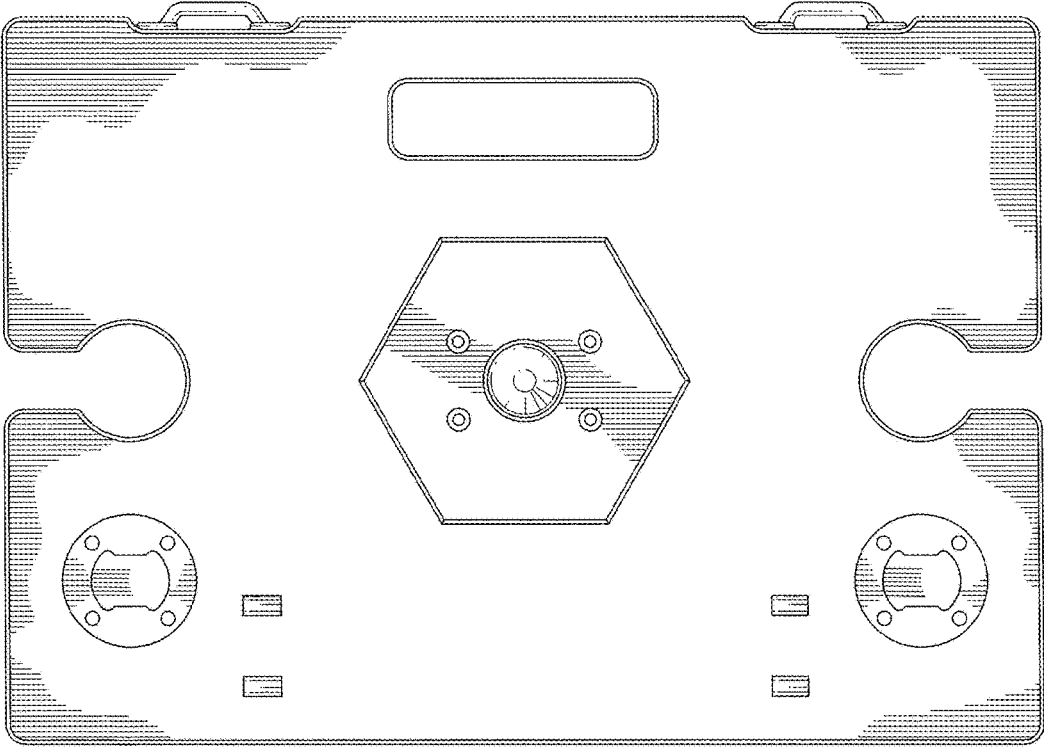


FIG. 8

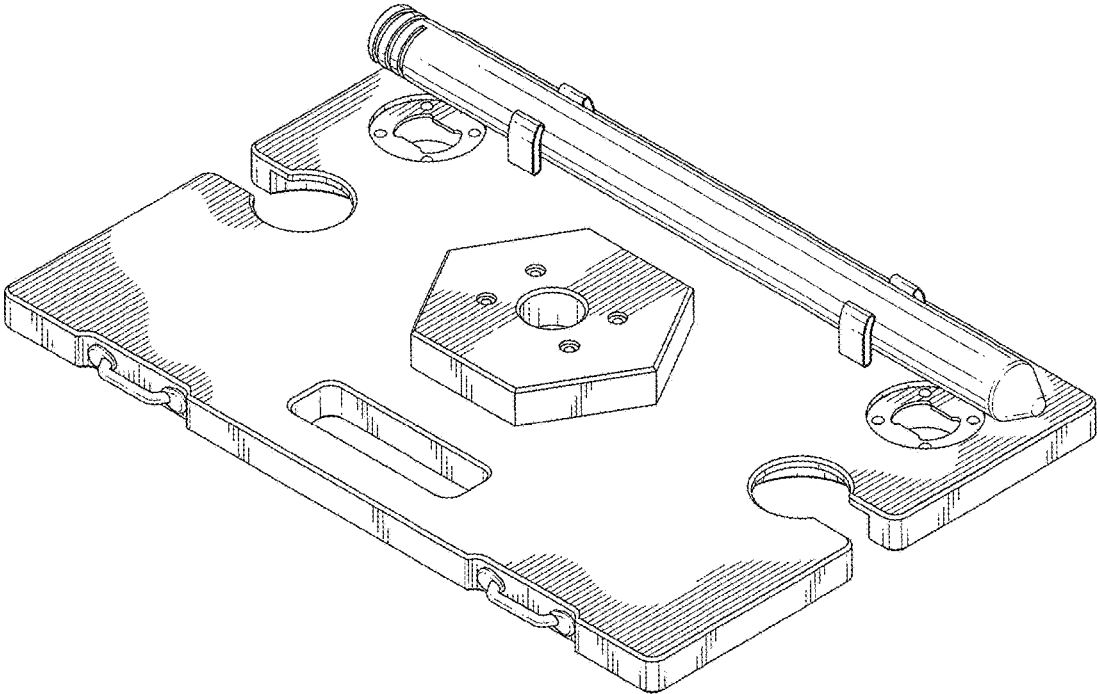


FIG. 9