



US00D348249S

United States Patent [19]

Hester

[11] Patent Number: Des. 348,249

[45] Date of Patent: ** Jun. 28, 1994

[54] LAMP SOCKET

[75] Inventor: David L. Hester, Garland, Tex.

[73] Assignee: Bayco Products Incorporated, Richardson, Tex.

[**] Term: 14 Years

[21] Appl. No.: 926,415

[22] Filed: Aug. 10, 1992

[52] U.S. Cl. D13/134

[58] Field of Search 439/168, 300, 358, 375, 439/378, 602, 611, 660, 702, 753; D13/133, 134, 135, 136, 138

[56] References Cited

U.S. PATENT DOCUMENTS

D. 257,389	1/1981	Moussette	D13/134 X
D. 291,557	8/1987	Engel	D13/135
D. 300,215	3/1989	Brenner et al.	D13/134
D. 313,005	12/1990	Zimmerman	D13/134
2,683,836	7/1954	Lemmers	D13/138 X

3,729,700	4/1973	Johnson et al.	439/602
3,876,896	4/1975	Albrecht et al.	439/387 X
4,418,973	12/1983	Smetana et al.	439/168
5,035,643	7/1991	Forish et al.	439/358

FOREIGN PATENT DOCUMENTS

70014	1/1983	European Pat. Off.	439/375
2828560	1/1980	Fed. Rep. of Germany	439/611

Primary Examiner—Wallace R. Burke

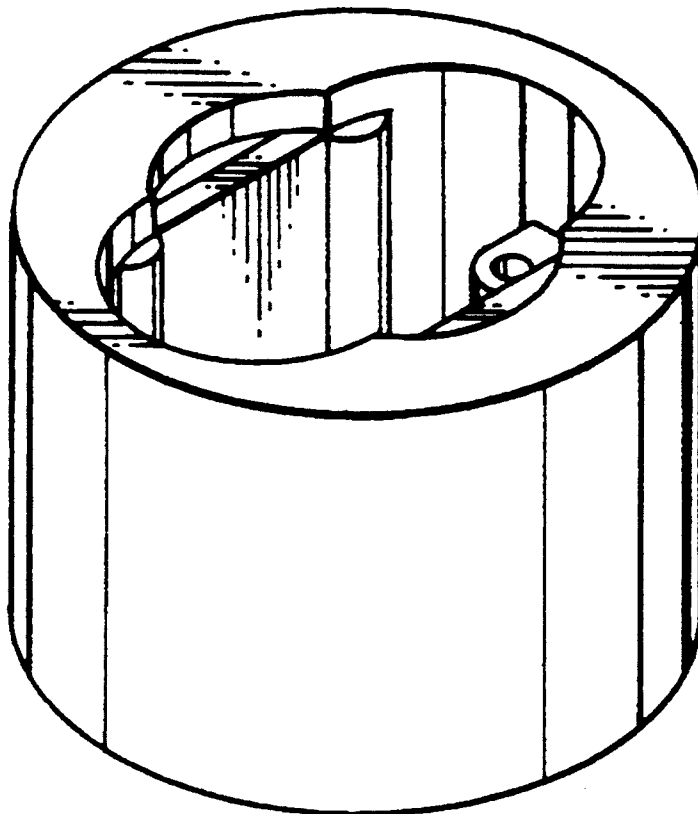
Assistant Examiner—Joel Sincavage

[57] CLAIM

The ornamental design for a lamp socket, as shown and described.

DESCRIPTION

FIG. 1 is a perspective view of a lamp socket showing my new design;
 FIG. 2 is a top plan view thereof;
 FIG. 3 is a rear elevational view thereof;
 FIG. 4 is a front elevational view thereof; and,
 FIG. 5 is a cross-section of the lamp socket taken along lines 5—5 of FIG. 3.



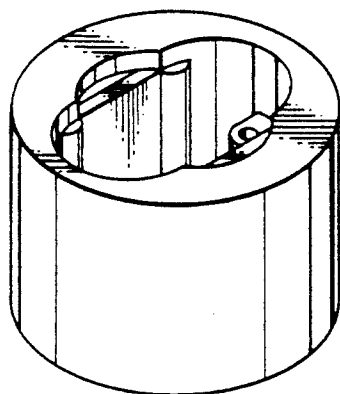


Fig. 1

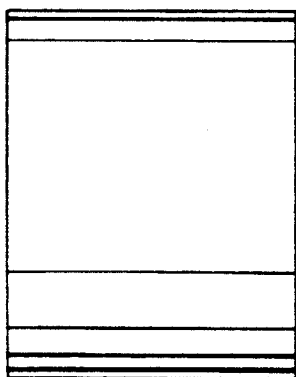


Fig. 2

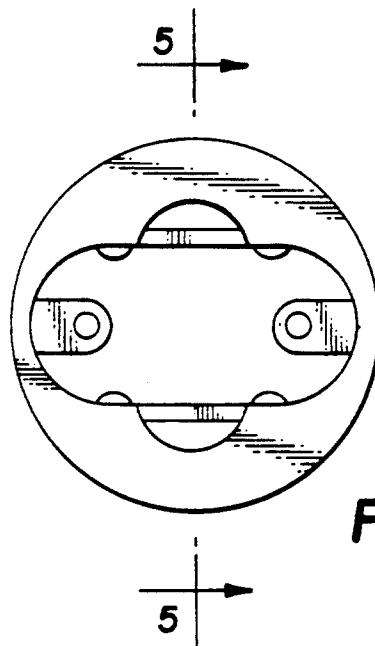


Fig. 3

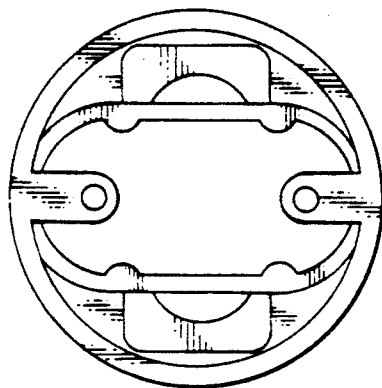


Fig. 4

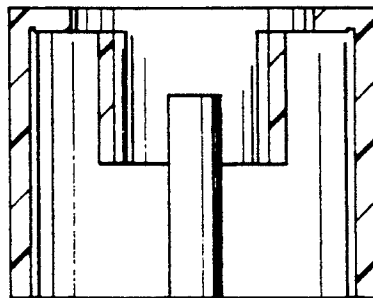


Fig. 5