



US0D1069193S

(12) **United States Design Patent** (10) **Patent No.:** **US D1,069,193 S**
Choo et al. (45) **Date of Patent:** **** Apr. 1, 2025**

(54) **HEAD LAMP FOR AUTOMOBILE**

(71) Applicants: **HYUNDAI MOTOR COMPANY**,
Seoul (KR); **KIA CORPORATION**,
Seoul (KR)

(72) Inventors: **Dong-Hoon Choo**, Gwacheon-si (KR);
Yun-Seok Oh, Ansan-si (KR)

(**) Term: **15 Years**

(21) Appl. No.: **35/520,574**

(22) Filed: **Feb. 14, 2024**

(80) **Hague Agreement Data**
Int. Filing Date: **Feb. 14, 2024**
Int. Reg. No.: **DM/236294**
Int. Reg. Date: **Feb. 14, 2024**
Int. Reg. Pub. Date: **Apr. 19, 2024**

(30) **Foreign Application Priority Data**
Oct. 17, 2023 (KR) 30-2023-0040417

(51) **LOC (15) Cl.** **26-06**

(52) **U.S. Cl.**
USPC **D26/28**

(58) **Field of Classification Search**
USPC D26/28, 29, 30, 31, 32, 33, 34, 35, 36,
D26/139
CPC F21S 41/00; F21S 41/141; F21S 41/162;
F21S 41/18; F21S 41/20; F21S 41/33;
F21S 41/36; F21S 41/60; F21S 43/00;
F21W 2103/35; F21W 2103/40; F21W
2102/17; F21W 2102/30; F21W 2103/00;
F21W 2103/55; F21W 2104/00; F21W
2107/17; F21W 2107/13

See application file for complete search history.

(56) **References Cited**

U.S. PATENT DOCUMENTS

D830,589 S * 10/2018 Henriques D26/28
D836,223 S * 12/2018 Kim D26/28
D874,035 S * 1/2020 Park Cheng D26/28
D874,038 S * 1/2020 He D26/28
D877,369 S * 3/2020 Thurber D26/28
D884,940 S * 5/2020 He D26/28
D903,161 S * 11/2020 Zipfel D26/28
D912,863 S * 3/2021 Wu D26/28
D912,875 S * 3/2021 Wu D26/74
D921,945 S * 6/2021 Lin D26/28
D925,792 S * 7/2021 Lin D26/28
D977,165 S * 1/2023 Lin D26/28
D1,021,162 S * 4/2024 Choi D26/28

* cited by examiner

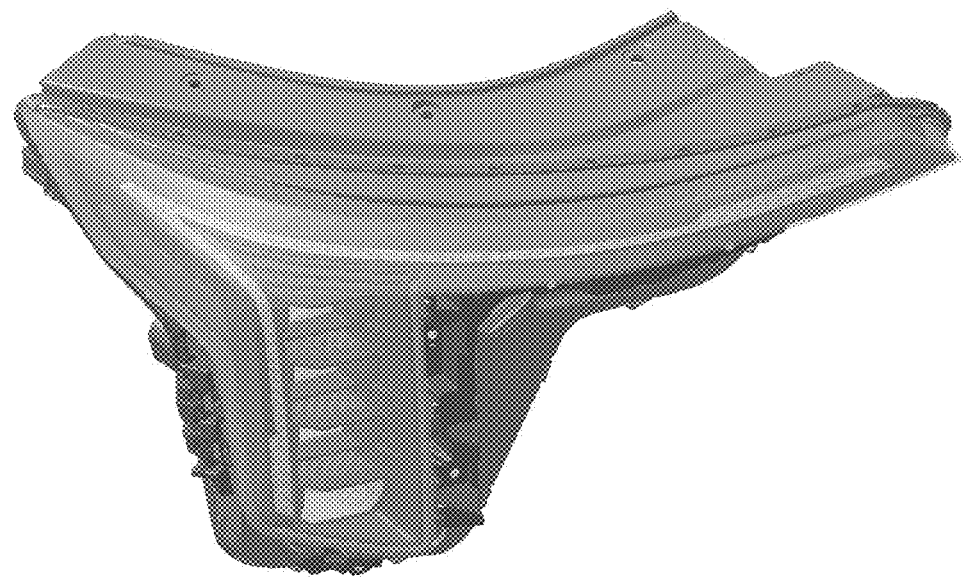
Primary Examiner — Angela J Lee

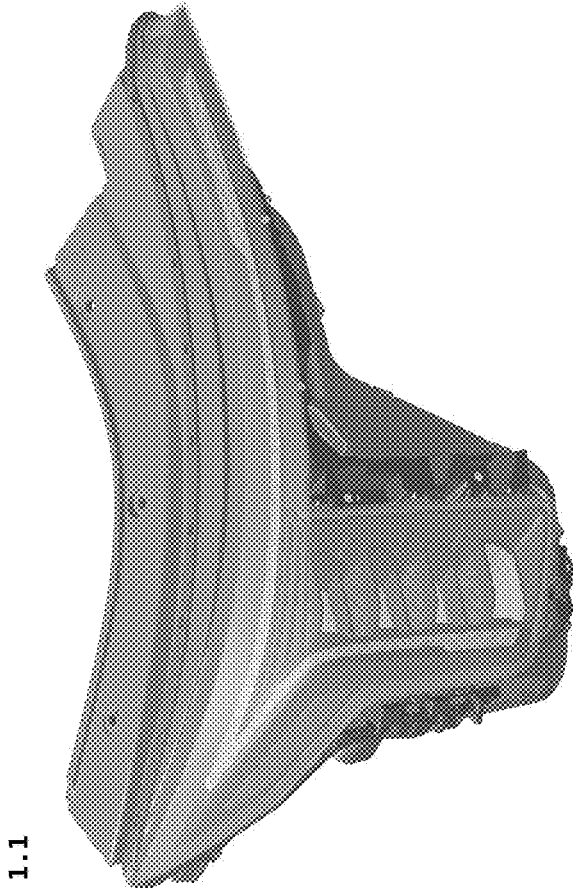
(57) **CLAIM**
The ornamental design for a head lamp for automobile as shown and described.

DESCRIPTION

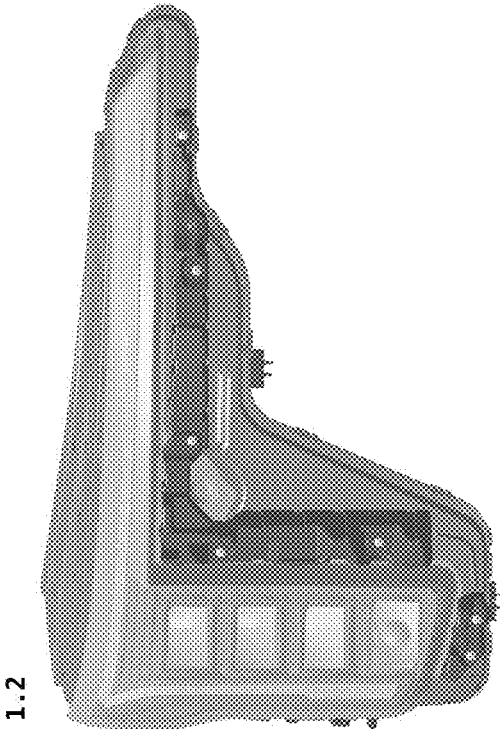
1. Head lamp for automobile
1.1 : Perspective
1.2 : Front
1.3 : Back
1.4 : Left
1.5 : Right
1.6 : Top
1.7 : Bottom
Reproduction **1.1** is a perspective view of a head lamp for automobile showing our new design; reproduction **1.2** is a front elevation view thereof; reproduction **1.3** is a rear elevation view thereof; reproduction **1.4** is a left side elevation view thereof; reproduction **1.5** is a right side elevation view thereof; reproduction **1.6** is a top plan view thereof; reproduction **1.7** is a bottom plan view thereof.

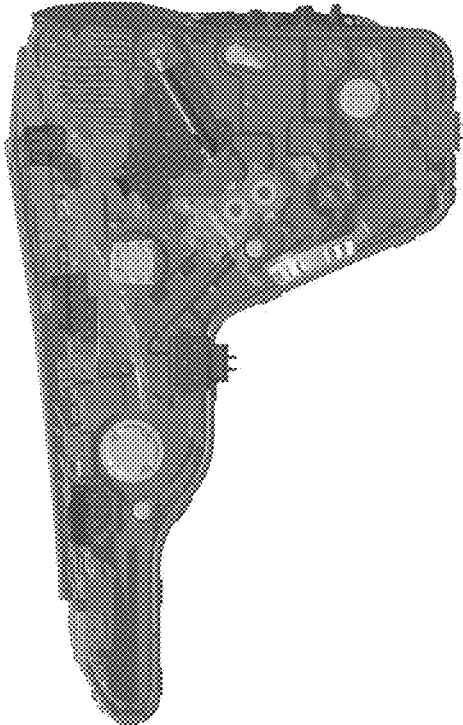
1 Claim, 7 Drawing Sheets



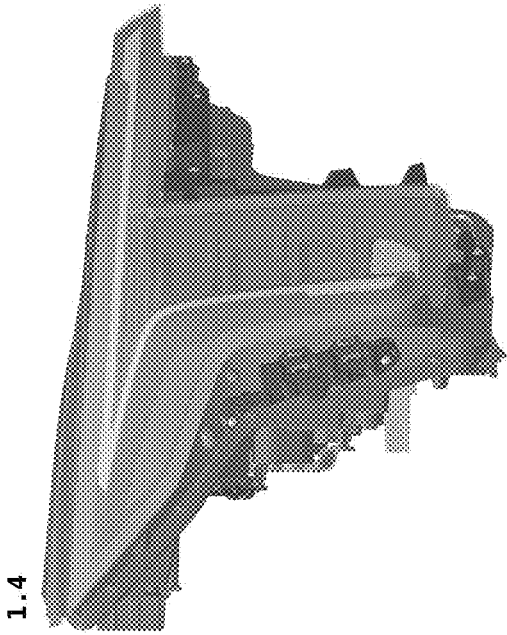


1.1

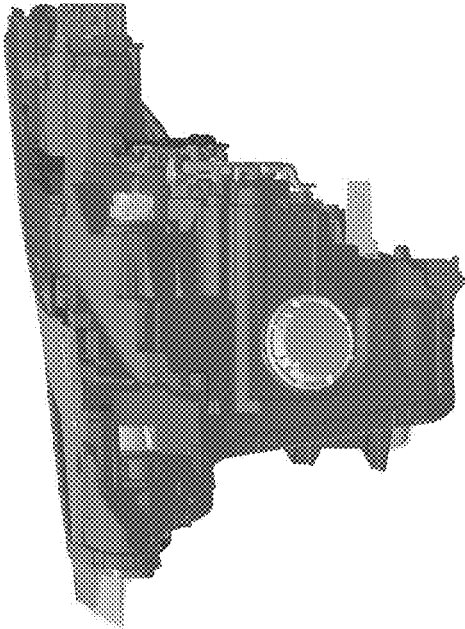


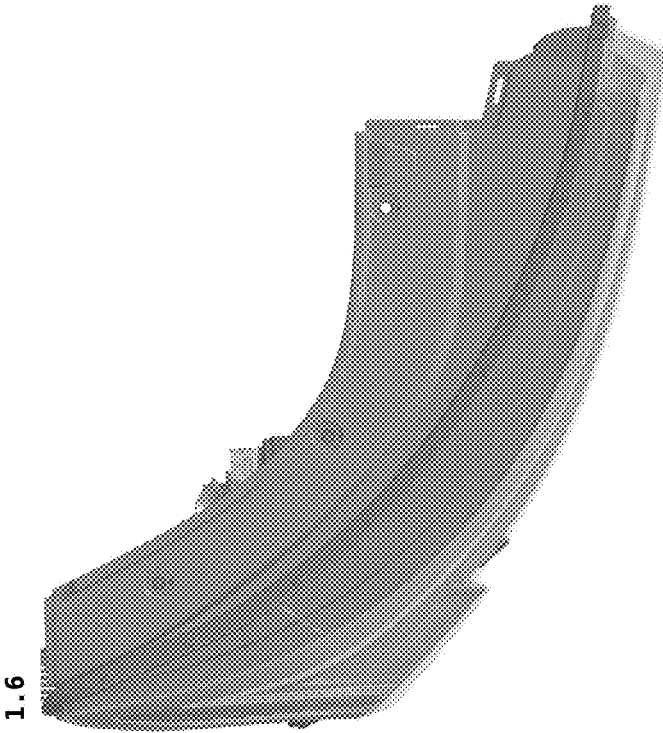


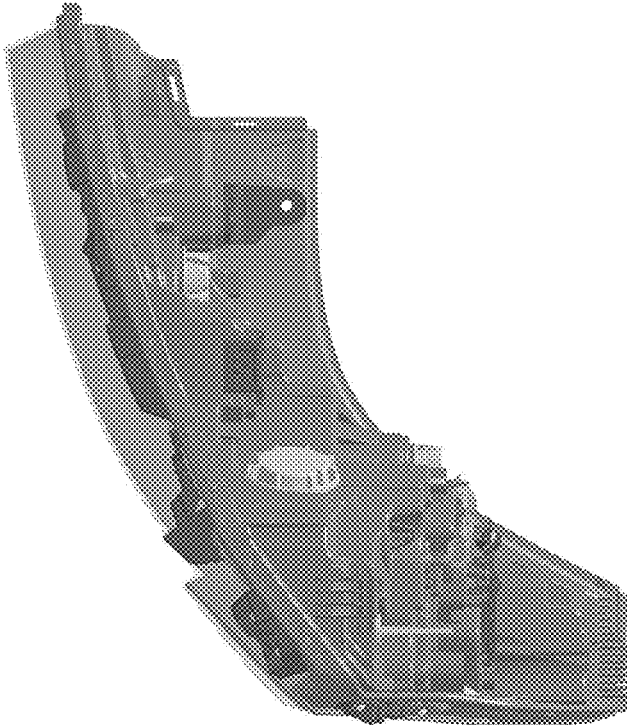
1.3



1.5







1.7