



US00D799746S

(12) **United States Design Patent**
Leidel et al.

(10) **Patent No.:** **US D799,746 S**
(45) **Date of Patent:** **** Oct. 10, 2017**

(54) **PERSONAL VAPORIZER**

(71) Applicant: **The Hand media, inc.**, Miami, FL (US)

(72) Inventors: **Brandon Leidel**, Miami, FL (US);
Eduardo Rodriguez, Miami, FL (US)

(**) Term: **15 Years**

(21) Appl. No.: **29/599,803**

(22) Filed: **Apr. 6, 2017**

(51) **LOC (10) Cl.** **27-02**

(52) **U.S. Cl.**
USPC **D27/163**

(58) **Field of Classification Search**
USPC D27/100, 101, 162, 163-169, 172, 175,
D27/186, 189, 193, 194, 195, 136, 137,
D27/138, 139, 141, 144
CPC .. A24F 5/00; A24F 47/008; A24F 7/02; A24F
47/002; A24F 15/12; A24F 15/18
See application file for complete search history.

(56) **References Cited**

U.S. PATENT DOCUMENTS

D346,878 S *	5/1994	Ge	D27/194
D368,552 S *	4/1996	Adams	D27/194
5,934,289 A *	8/1999	Watkins	A24F 47/008
				128/202.21
D433,532 S *	11/2000	Higgins	D27/186
6,615,840 B1 *	9/2003	Fournier	A24F 47/008
				131/194
D547,440 S *	7/2007	Louet-Feisser	D24/110
D547,859 S *	7/2007	Choi	D24/113
D577,150 S	9/2008	Bryman		
D647,247 S	10/2011	Jones		
D649,708 S	11/2011	Oneil		
D690,002 S	9/2013	Storey		
D724,263 S	3/2015	Malhi		
D728,855 S *	5/2015	Liu	D27/163

D729,444 S	5/2015	Leidel		
D730,572 S	5/2015	Leidel		
D733,356 S	6/2015	Leidel		
D742,062 S *	10/2015	Almsberger	D27/143
D743,099 S	11/2015	Oglesby		
D748,325 S	1/2016	Leidel		
D753,336 S *	4/2016	Chen	D27/101
D758,656 S *	6/2016	Freshwater	D27/163
D769,721 S *	10/2016	Zahr	D27/186

(Continued)

Primary Examiner — Robert M Spear

Assistant Examiner — Marissa J Cash

(74) *Attorney, Agent, or Firm* — Christopher J. VanDam, PA; Chris Vandam

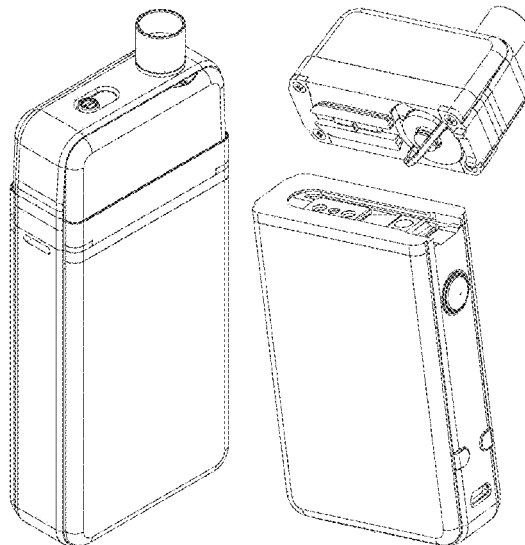
(57) **CLAIM**

The ornamental design for a personal vaporizer, as shown and described.

DESCRIPTION

FIG. 1 shows a perspective view of a personal vaporizer. FIG. 2 shows an elevation view of the personal vaporizer. FIG. 3 shows an elevation view of the personal vaporizer. FIG. 4 shows an elevation view of the personal vaporizer. FIG. 5 shows a plan view of the personal vaporizer. FIG. 6 shows a plan view of the personal vaporizer. FIG. 7 shows a perspective view of the personal vaporizer. FIG. 8 shows a perspective view of the personal vaporizer. FIG. 9 shows an exploded perspective view of the personal vaporizer. FIG. 10 shows an exploded elevation view of the personal vaporizer. FIG. 11 shows an exploded elevation view of the personal vaporizer. FIG. 12 shows an exploded perspective view of the personal vaporizer; and, FIG. 13 shows an exploded perspective view of the personal vaporizer.

1 Claim, 13 Drawing Sheets



(56)

References Cited

U.S. PATENT DOCUMENTS

D770,678	S	*	11/2016	Shin	D27/163
D771,867	S	*	11/2016	Leidel	D27/163
D773,114	S		11/2016	Leidel		
D773,116	S	*	11/2016	Liu	D27/167
D775,414	S	*	12/2016	Ampolini	D13/108
2002/0005207	A1	*	1/2002	Wrenn	A24C 5/478 131/194
2009/0283103	A1	*	11/2009	Nielsen	A24F 1/30 131/273
2010/0163063	A1	*	7/2010	Fernando	A24F 47/008 131/184.1
2010/0313901	A1	*	12/2010	Fernando	A24F 47/008 131/330
2014/0014125	A1	*	1/2014	Fernando	A24F 47/008 131/328
2014/0217085	A1	*	8/2014	Alima	F23Q 7/16 219/474
2015/0053217	A1	*	2/2015	Steingraber	A24F 47/008 131/329

* cited by examiner

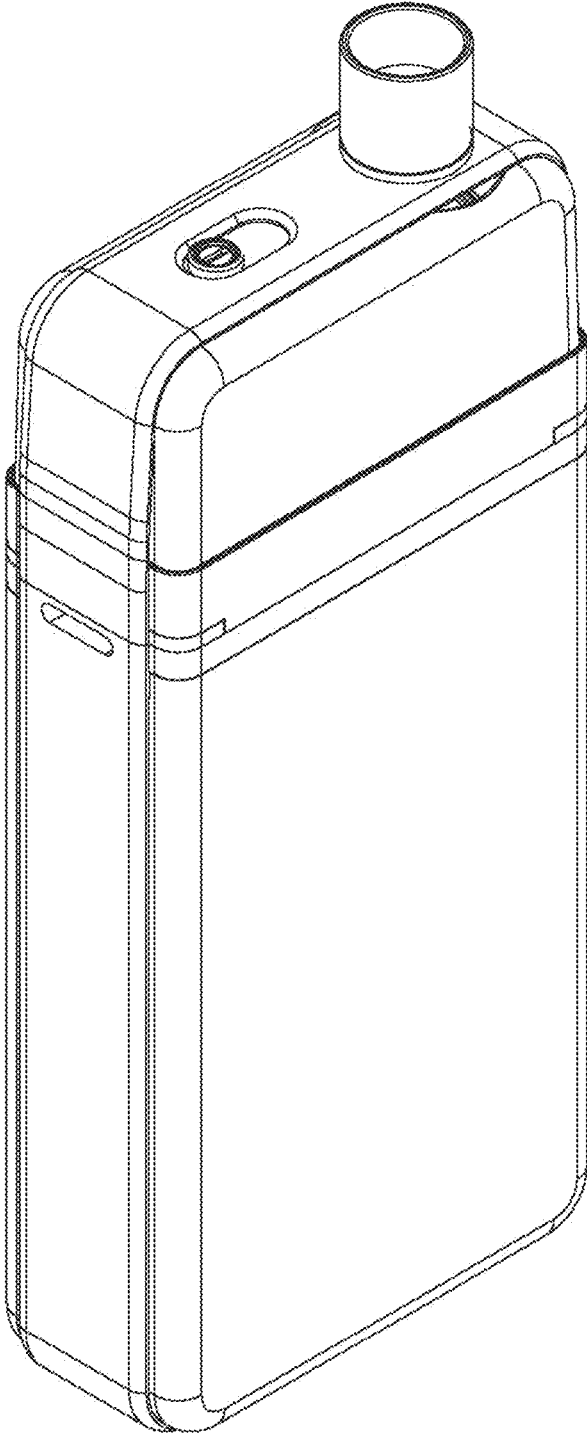


Fig. 1

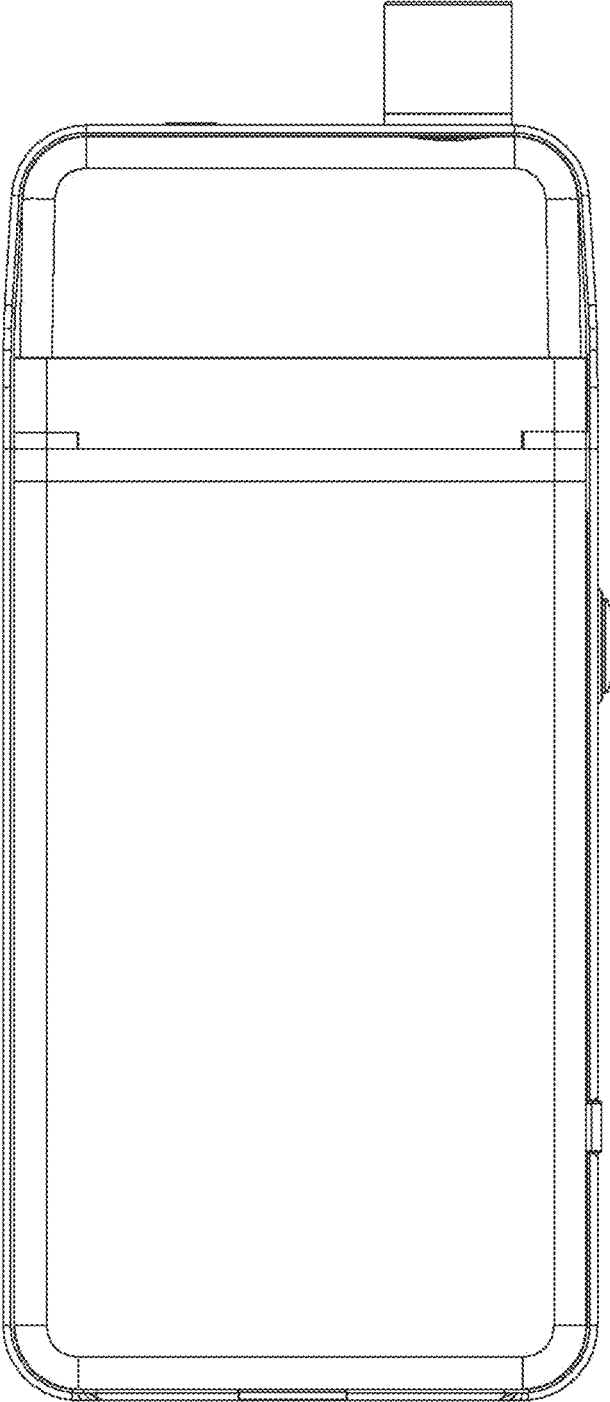


Fig. 2

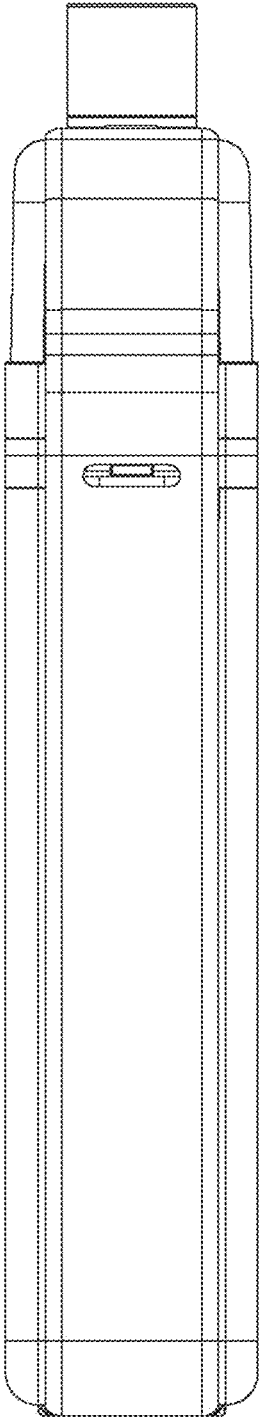


Fig. 3

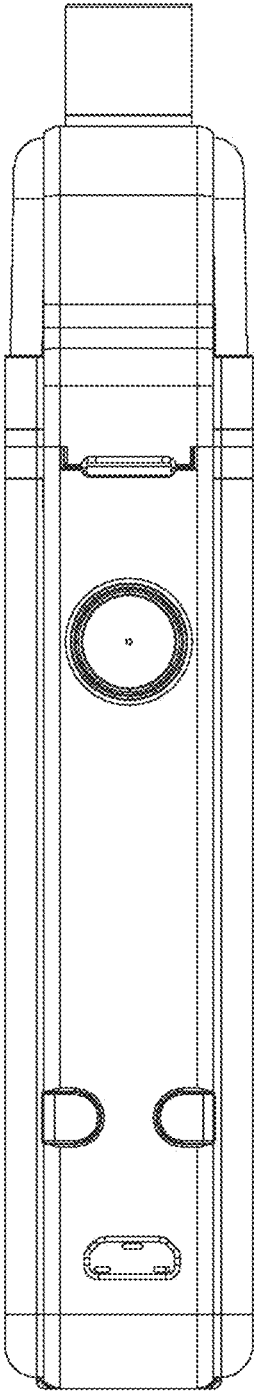


Fig. 4

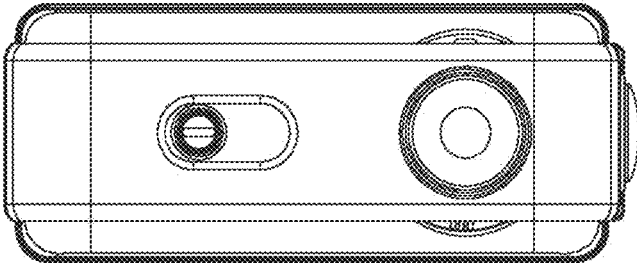


Fig. 5

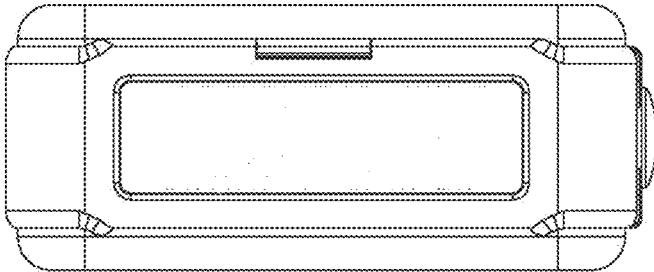


Fig. 6

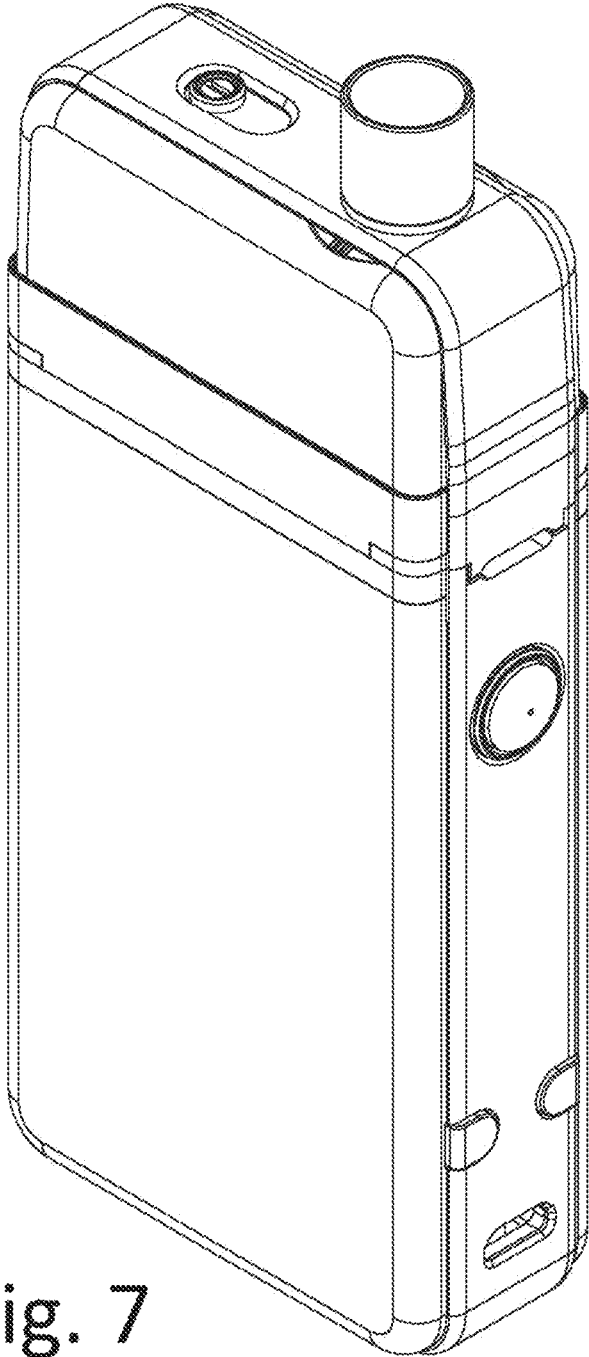


Fig. 7

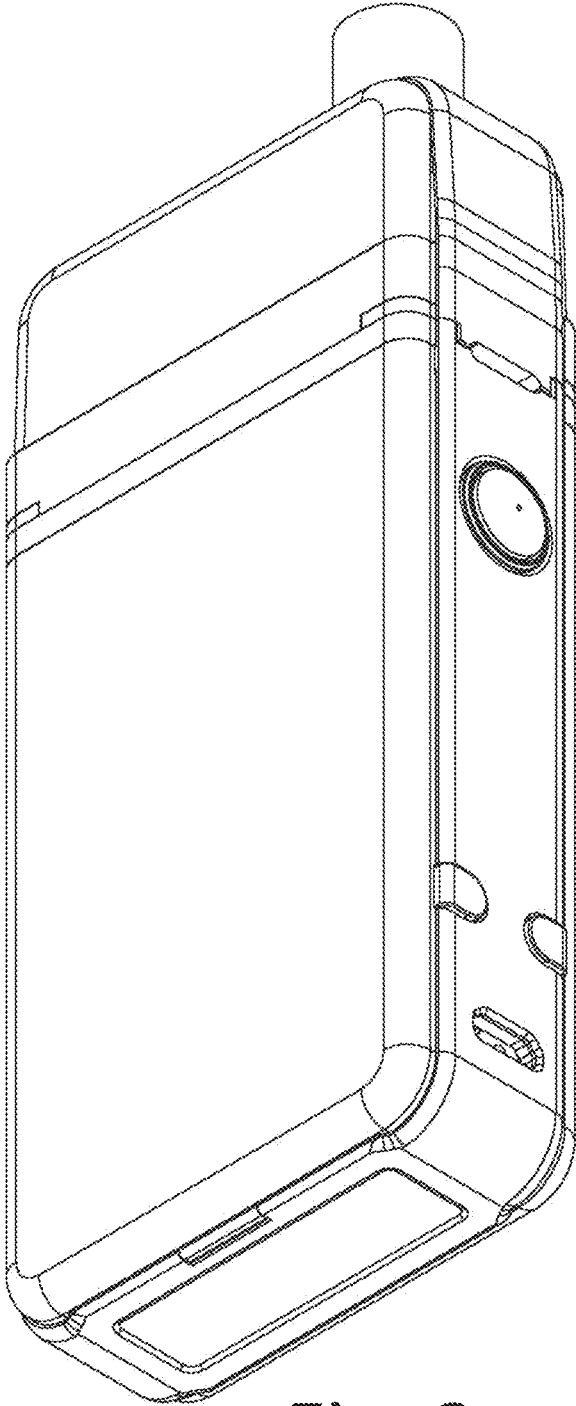


Fig. 8

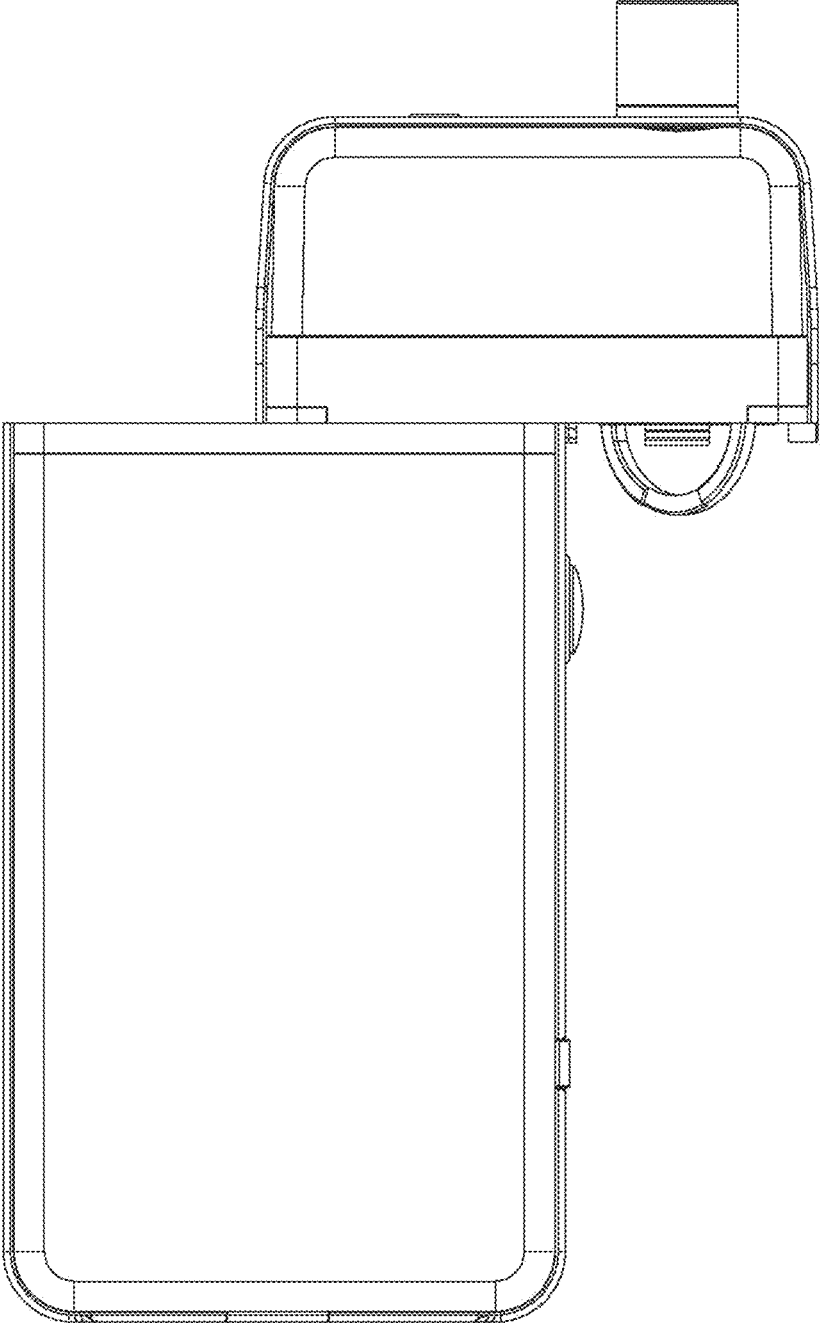


Fig. 9

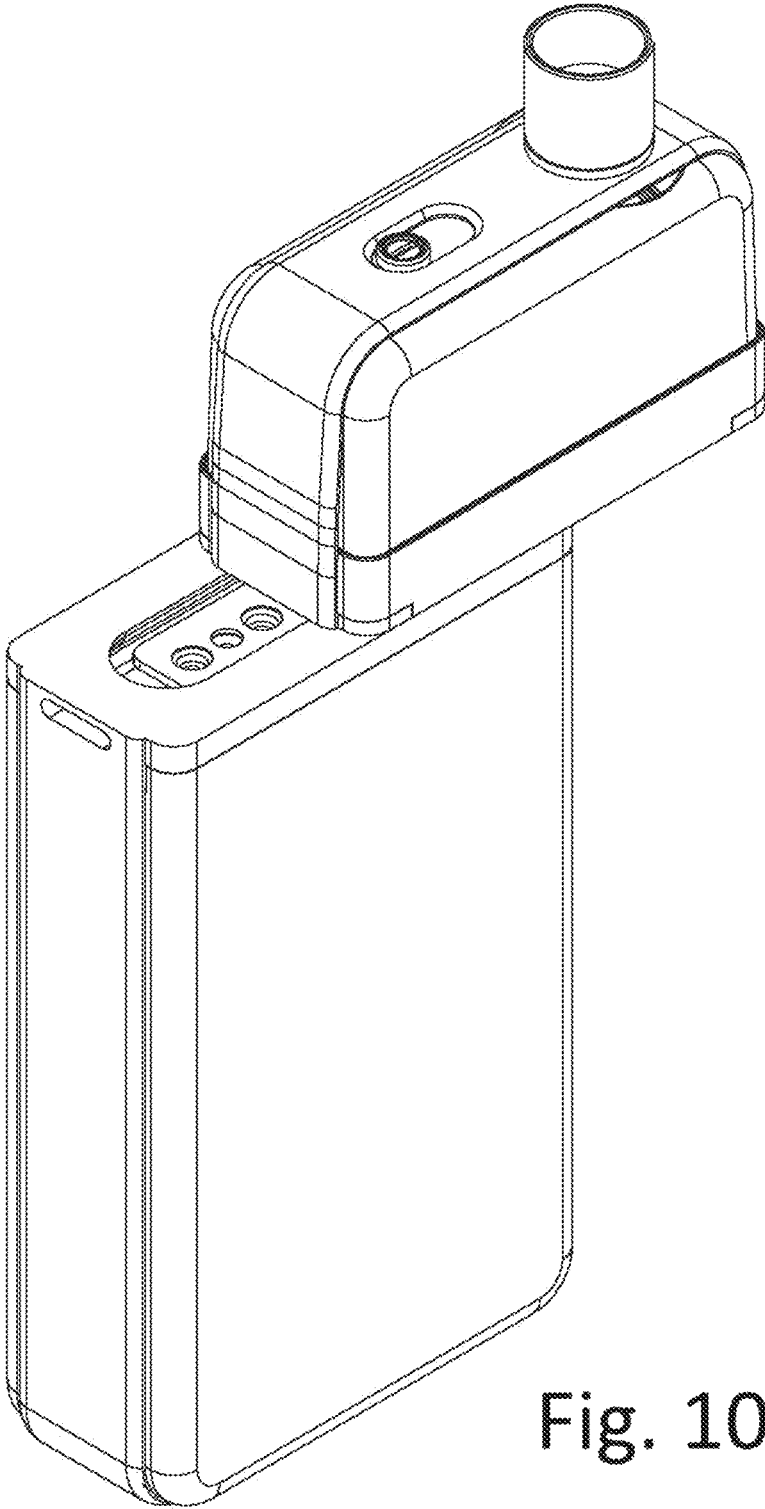


Fig. 10

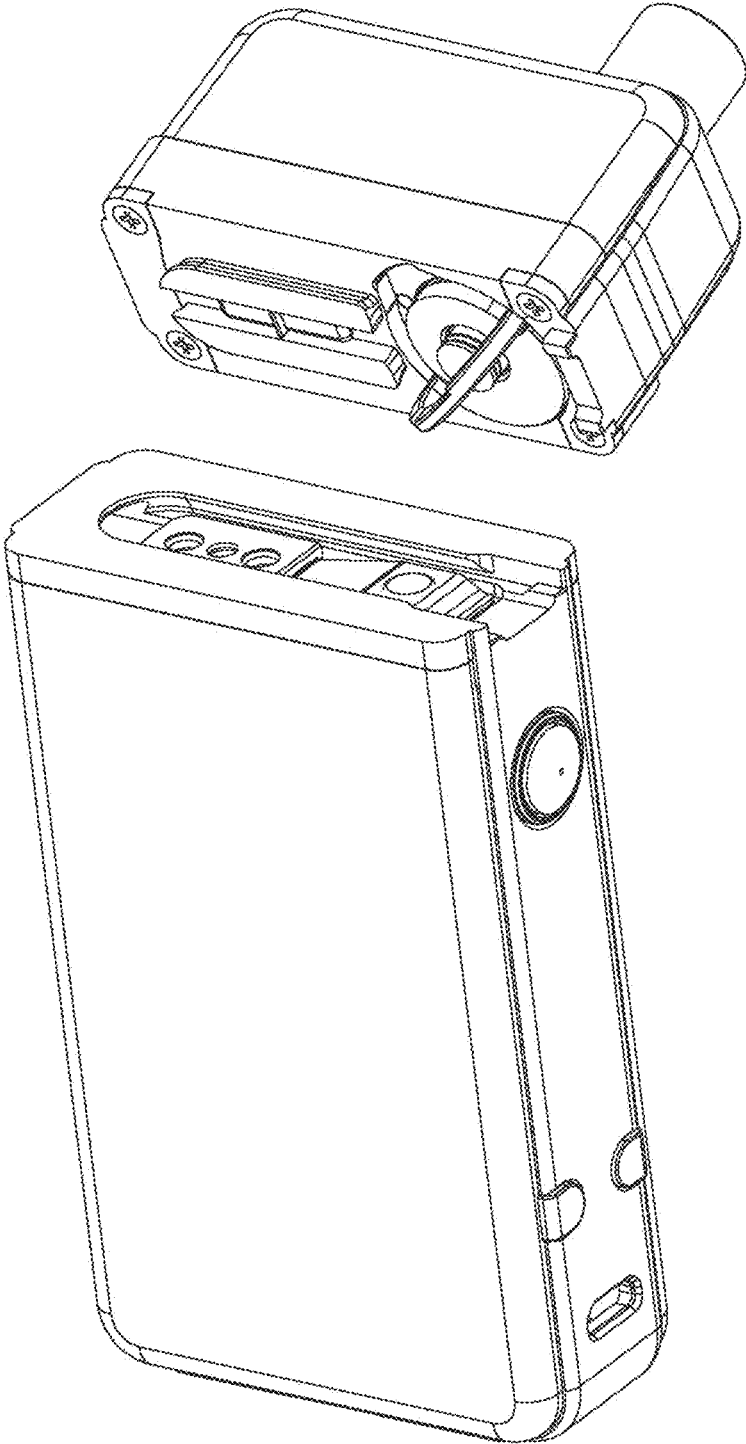


Fig. 11

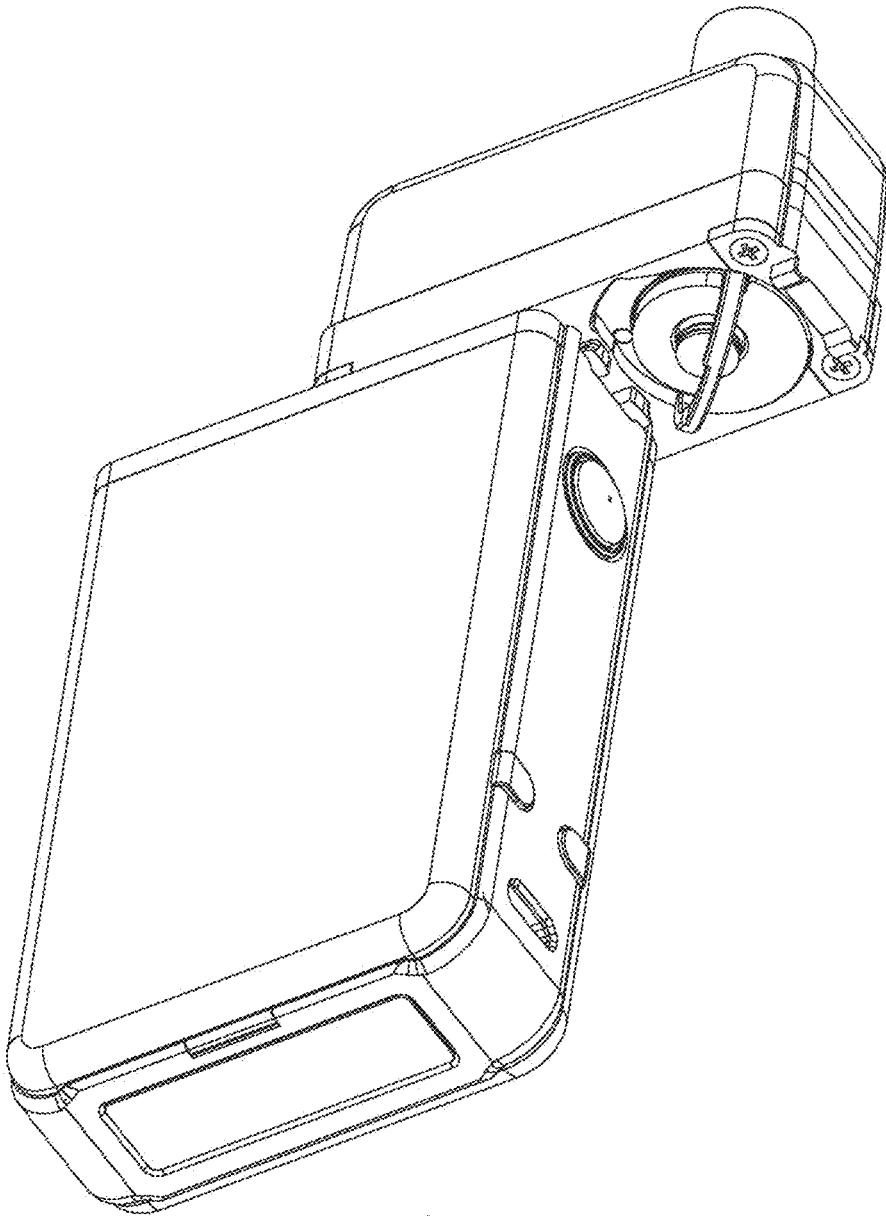


Fig. 12

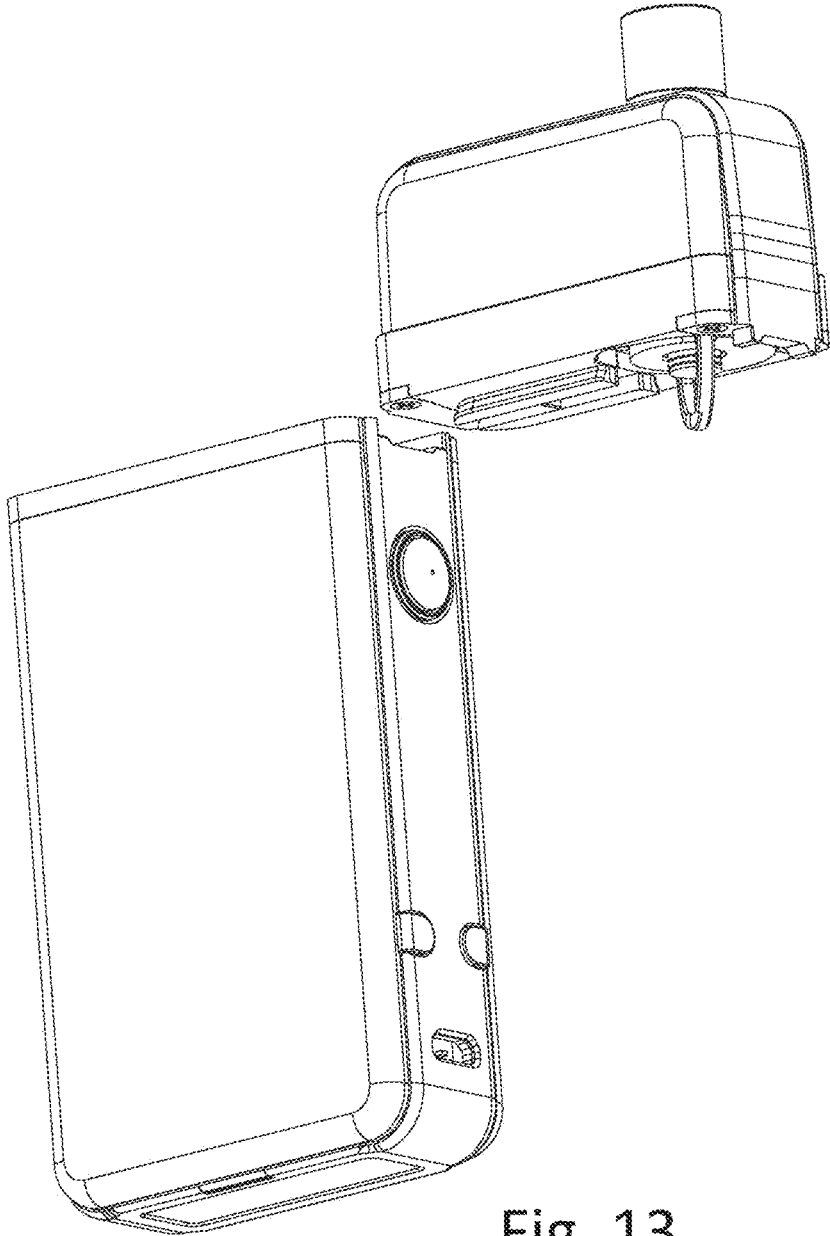


Fig. 13