



US00D488656S

(12) **United States Design Patent** (10) **Patent No.:** **US D488,656 S**
Messinger (45) **Date of Patent:** **** Apr. 20, 2004**

(54) **INSERT FOR A TOOTHBRUSH HOLDER**

D433,263 S * 11/2000 Viner D6/534
D439,781 S * 4/2001 Spore D6/534
6,268,040 B1 * 7/2001 McArthur 206/362.1 X

(76) Inventor: **Samuel Messinger**, 4812 Pine Tree Dr.
#17, Miami Beach, FL (US) 33140

* cited by examiner

(**) Term: **14 Years**

Primary Examiner—Brian N. Vinson
(74) *Attorney, Agent, or Firm*—Pendorf & Cutliff

(21) Appl. No.: **29/177,406**

(57) **CLAIM**

(22) Filed: **Mar. 10, 2003**

The ornamental design for an insert for a toothbrush holder,
as shown and described.

(51) **LOC (7) Cl.** **23-02**

(52) **U.S. Cl.** **D6/528**

(58) **Field of Search** D6/524, 528, 534;
211/13.1, 60.1, 65, 66, 70.6, 70.7; 206/362.1,
362.3, 362; 428/622, 624, 675, 676

DESCRIPTION

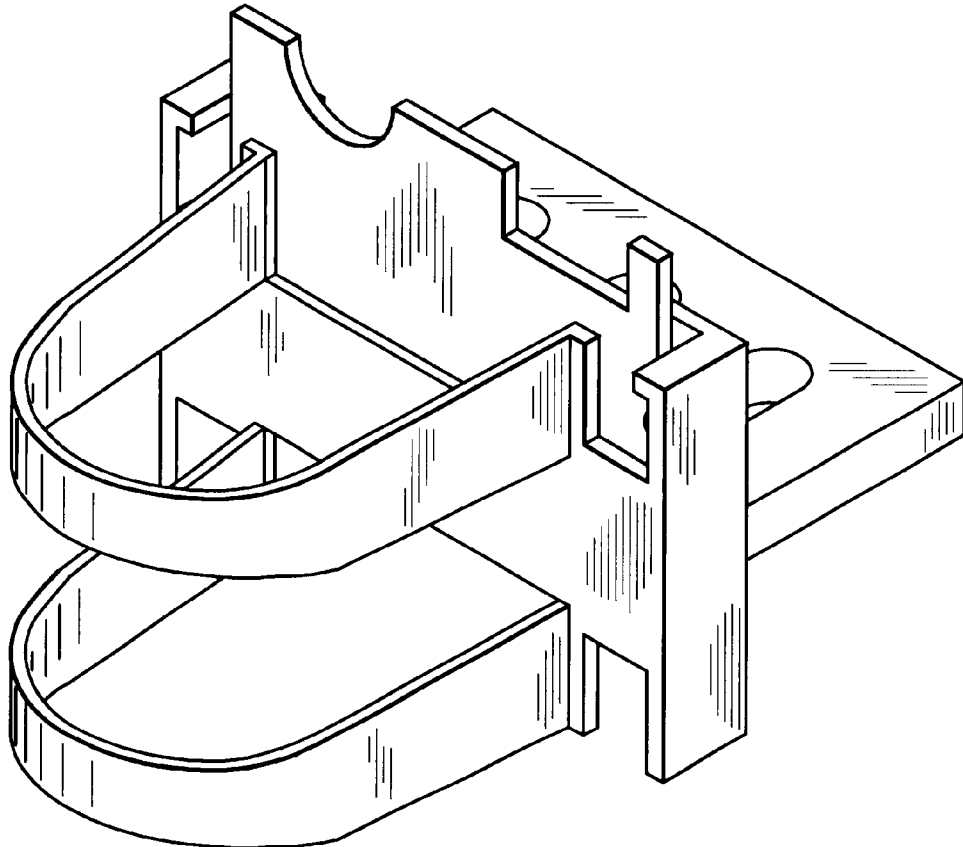
FIG. 1 is a perspective view of a toothbrush holder having
an insert according to the present invention;
FIG. 2 is a top view of the design shown in FIG. 1 ;
FIG. 3 is a bottom view of the design shown in FIG. 1 ;
FIG. 4 is a left side view of the design shown in FIG. 1 ;
FIG. 5 is a right side view of the design shown in FIG. 1 ;
FIG. 6 is a front view of the design shown in FIG. 1 ; and,
FIG. 7 is a back view of the design shown in FIG. 1 .

(56) **References Cited**

U.S. PATENT DOCUMENTS

1,465,627 A * 8/1923 Fisher et al. 206/362 X
2,906,479 A * 9/1959 Strachan 211/65
4,705,194 A * 11/1987 Judge 211/65 X
D341,510 S * 11/1993 Lieberman D6/528
D366,171 S * 1/1996 Green D6/534

1 Claim, 2 Drawing Sheets



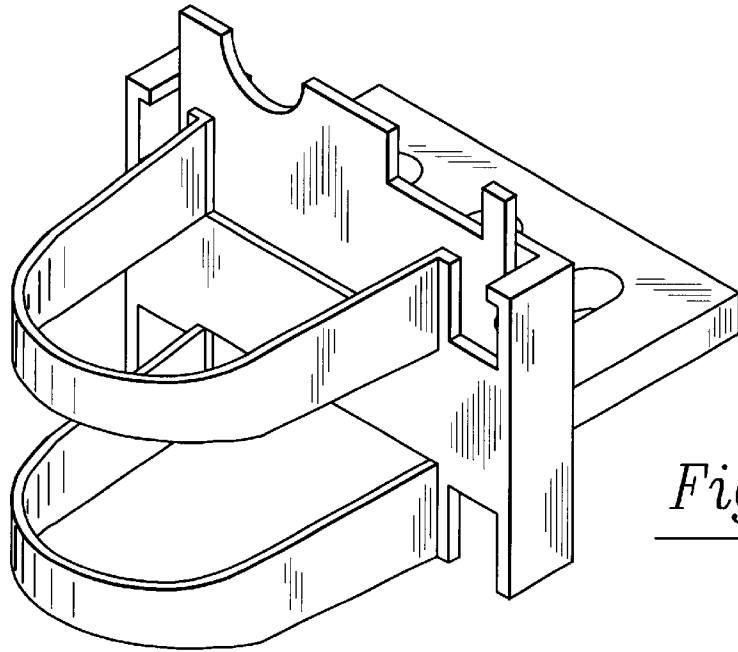


Fig. 1

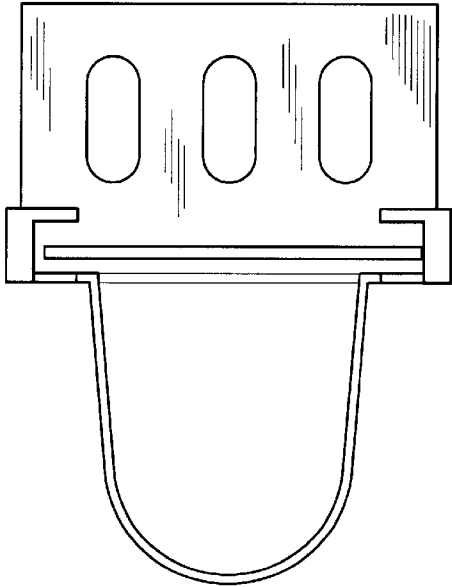


Fig. 2

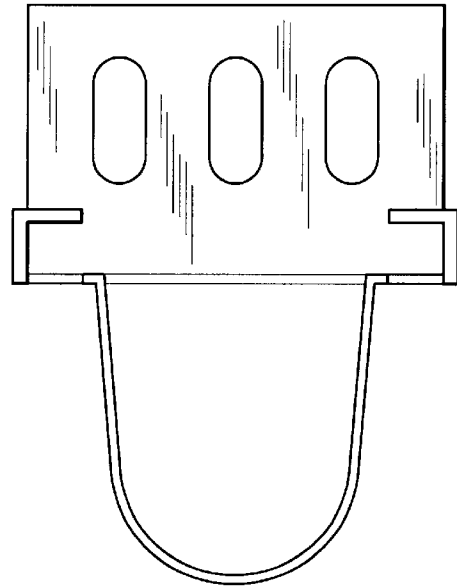


Fig. 3

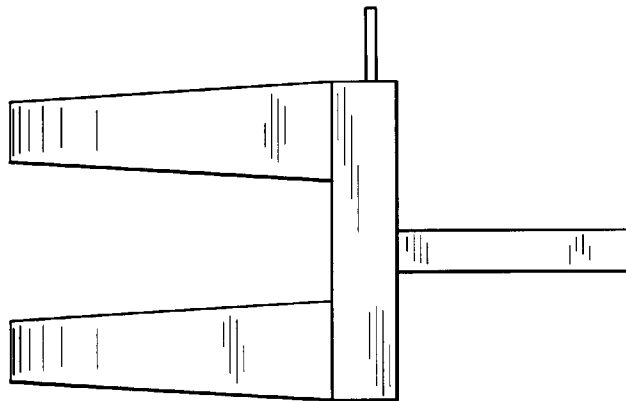


Fig. 4

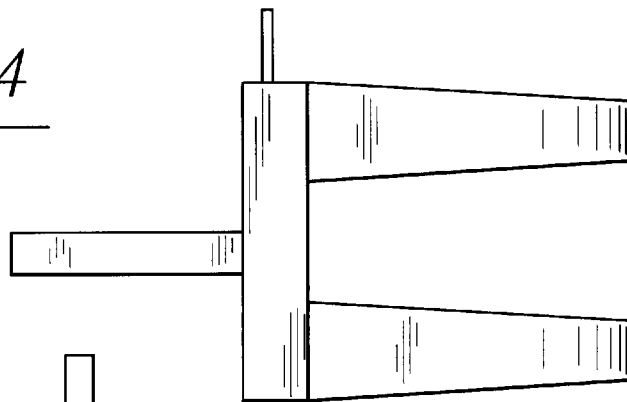


Fig. 5

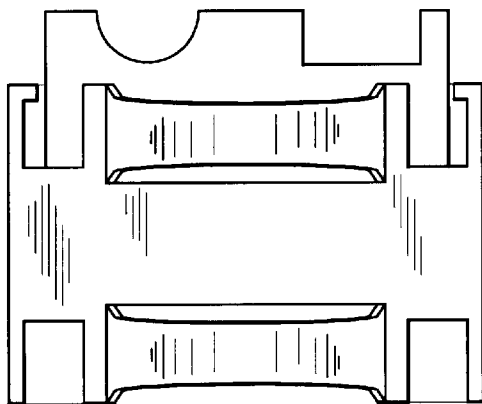


Fig. 6

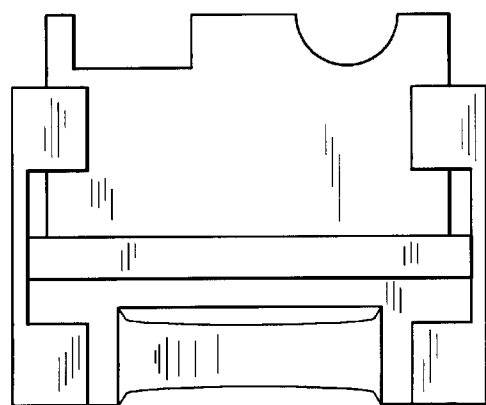


Fig. 7