



US00D528794S

(12) **United States Design Patent**
Lanham et al.

(10) **Patent No.:** **US D528,794 S**

(45) **Date of Patent:** **** Sep. 26, 2006**

(54) **JEWELRY BOX**

D493,107 S * 7/2004 Bergne D9/432
D505,546 S * 5/2005 Lau D3/273

(75) Inventors: **Adria Lanham**, Williamsville, NY
(US); **Reginald Gilbert Martin, Jr.**,
Clearwater, FL (US)

* cited by examiner

Primary Examiner—Philip S. Hyder

Assistant Examiner—RoseLynne (Ulm) Cody

(74) *Attorney, Agent, or Firm*—Michael J. Striker

(73) Assignee: **Bufkor, Inc.**, Clearwater, FL (US)

(**) Term: **14 Years**

(57) **CLAIM**

(21) Appl. No.: **29/226,428**

The ornamental design for a jewelry box, as shown and described.

(22) Filed: **Mar. 29, 2005**

DESCRIPTION

(51) **LOC (8) Cl.** **03-01**

(52) **U.S. Cl.** **D3/294**; D3/903; D9/432

(58) **Field of Classification Search** D3/201,
D3/203.1–203.2, 273–274, 280, 294, 901,
D3/903; D9/423, 426, 430, 432; D28/78,
D28/83; 206/823

See application file for complete search history.

FIG. 1 is a front perspective view of a jewelry box showing my new design;

FIG. 2 is a front view thereof;

FIG. 3 is a side view thereof, which is a mirror image of the opposite side thereof;

FIG. 4 is a rear view thereof;

FIG. 5 is a front perspective view of a first alternate embodiment of our new design;

FIG. 6 is a front view thereof;

FIG. 7 is a side view thereof which is a mirror image of the opposite side thereof;

FIG. 8 is a rear view thereof;

FIG. 9 is a front perspective view of a second alternate embodiment of our new design;

FIG. 10 is a front view thereof;

FIG. 11 is a side view thereof which is a mirror image of the opposite side thereof;

FIG. 12 is a rear view thereof;

FIG. 13 is a front perspective view of a third alternate embodiment of our new design;

FIG. 14 is a front view thereof;

FIG. 15 is a side view thereof which is a mirror image of the opposite side thereof; and,

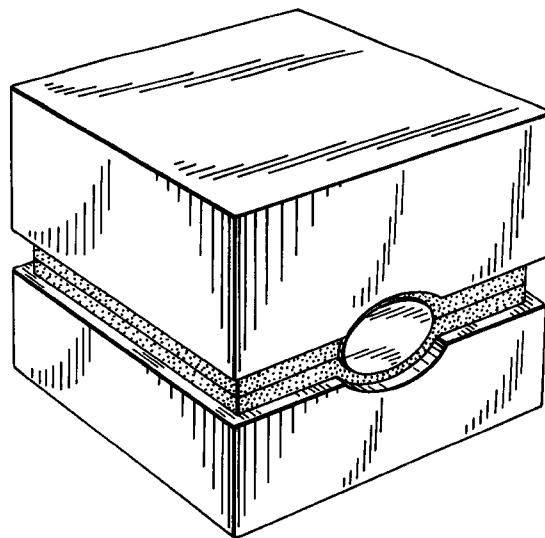
FIG. 16 is a rear view thereof.

(56) **References Cited**

U.S. PATENT DOCUMENTS

D3,894 S	*	3/1870	Jerauld et al.	D9/432
D154,978 S	*	8/1949	Baud	
D178,896 S	*	10/1956	Meyer	D3/294
D206,963 S	*	2/1967	Beck	D9/423
D254,720 S	*	4/1980	Schuander	D9/423
D258,938 S	*	4/1981	Spitzer	D9/614
D306,973 S	*	4/1990	Kaplan	D9/423
D317,528 S	*	6/1991	Harvey	D3/294
D323,294 S	*	1/1992	Williams	D9/432
D327,423 S	*	6/1992	Turner-Adams	D9/655
D360,461 S	*	7/1995	Gillespie	D23/366
D387,982 S	*	12/1997	Kaplan	D9/423
D396,004 S	*	7/1998	Srinual	D9/423
D408,145 S	*	4/1999	Au	D3/294
D414,692 S	*	10/1999	Srinual	D9/423
D417,843 S	*	12/1999	Srinual	D9/423
D478,513 S	*	8/2003	Canamasas Puigbo	D9/529

1 Claim, 8 Drawing Sheets



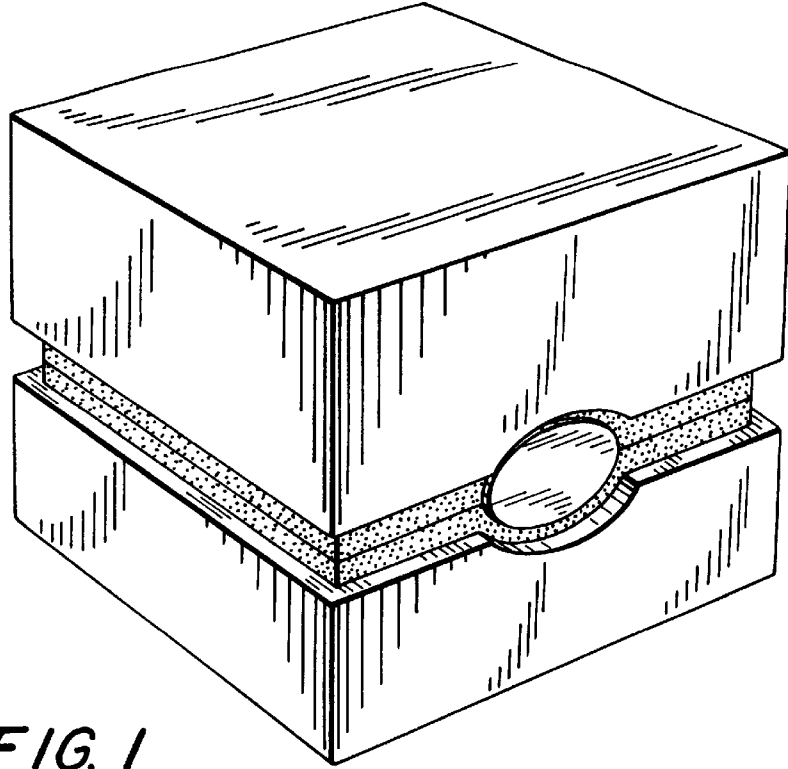


FIG. 1

FIG. 2

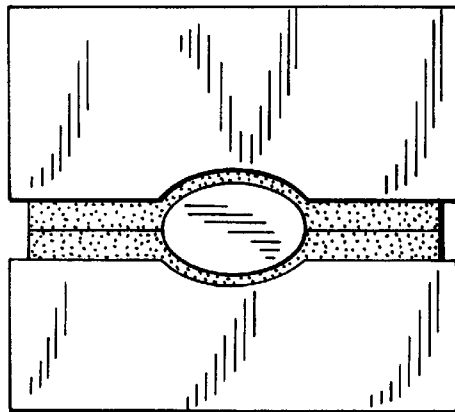


FIG. 3

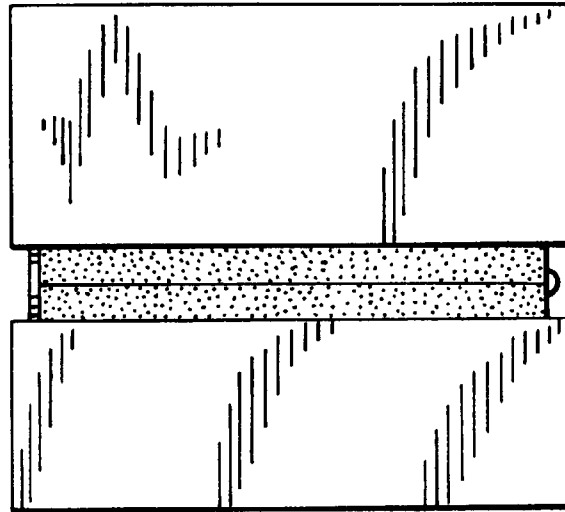
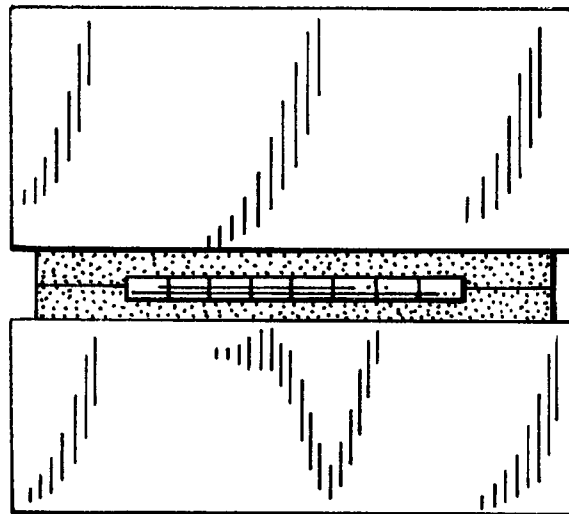


FIG. 4



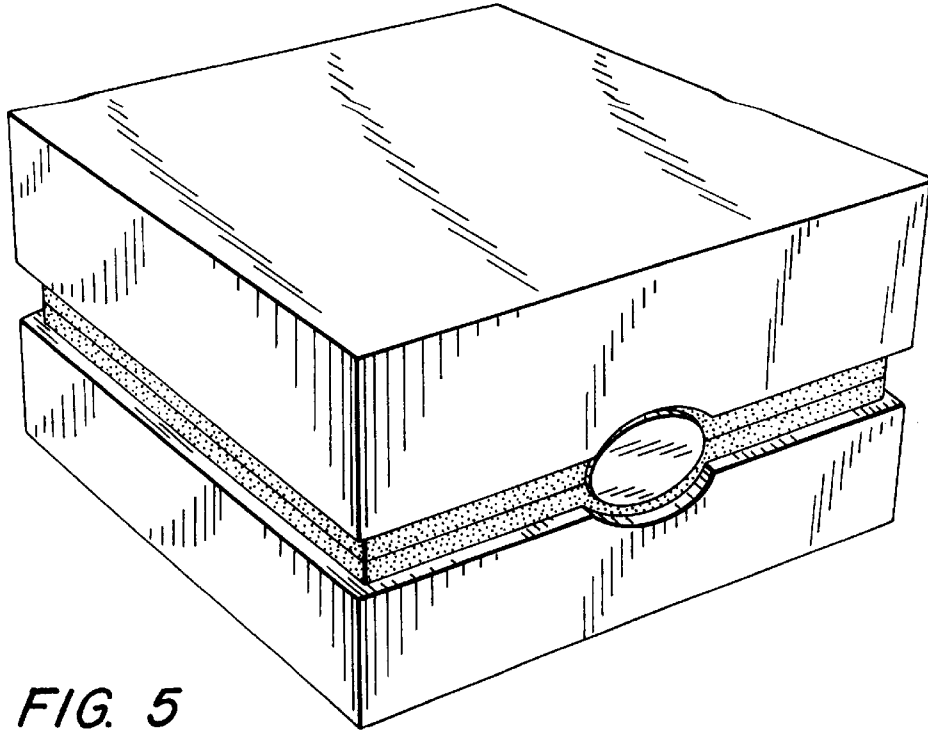


FIG. 5

FIG. 6

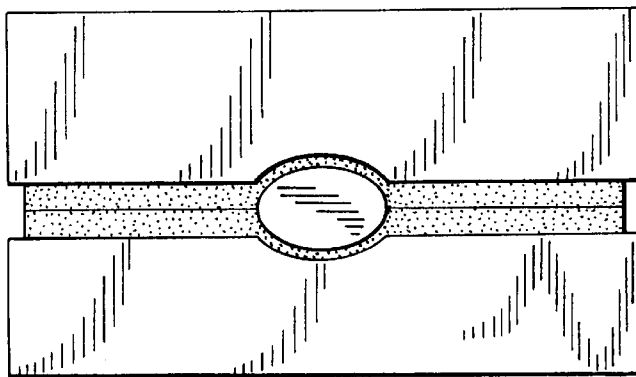


FIG. 7

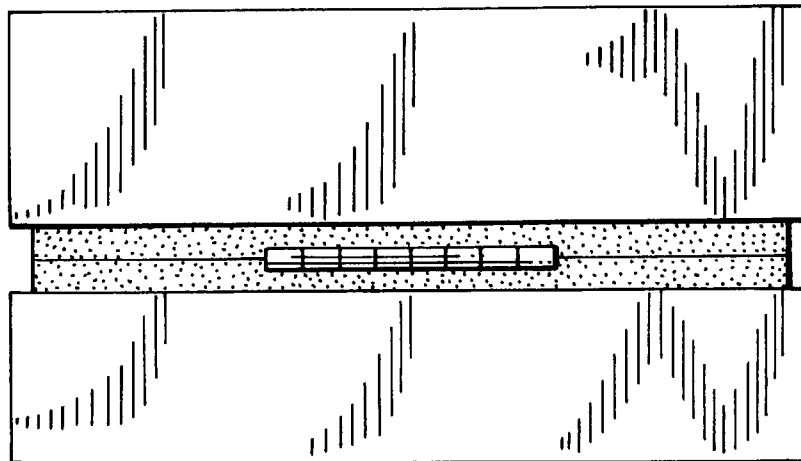
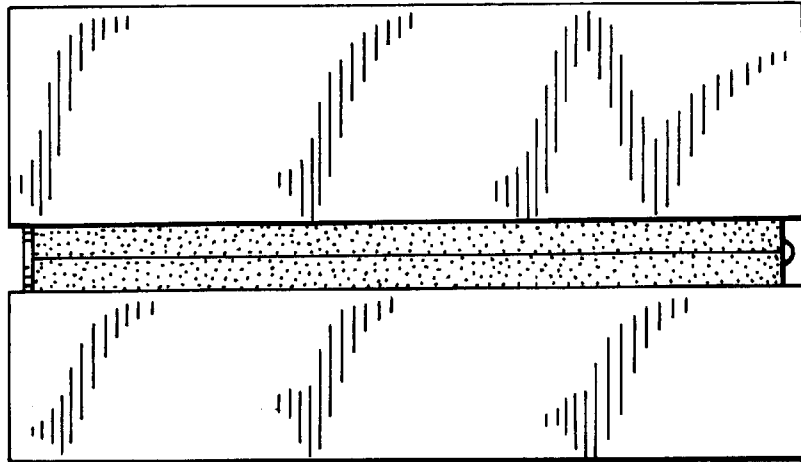


FIG. 8

FIG. 9

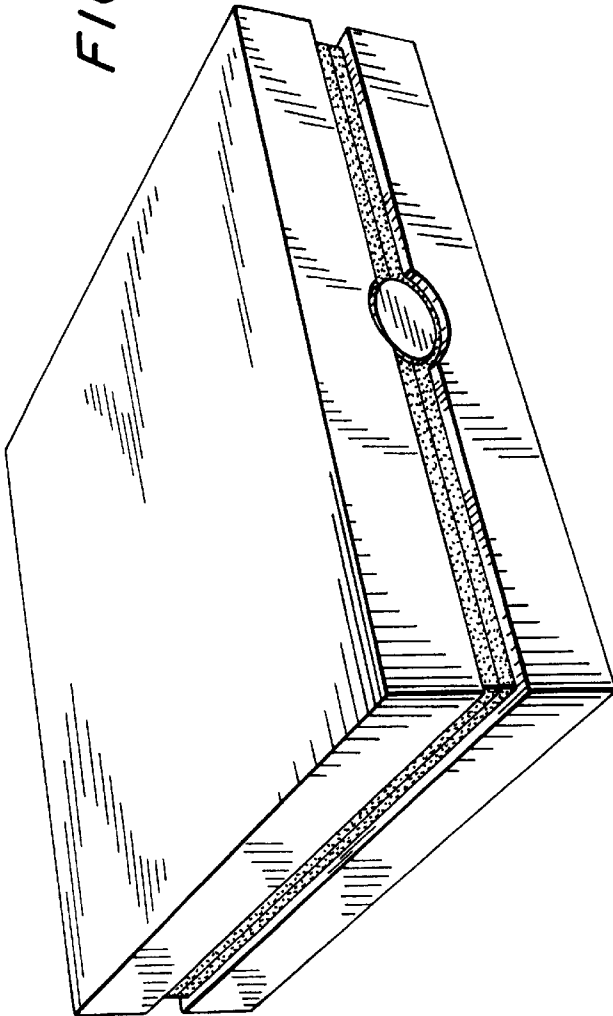
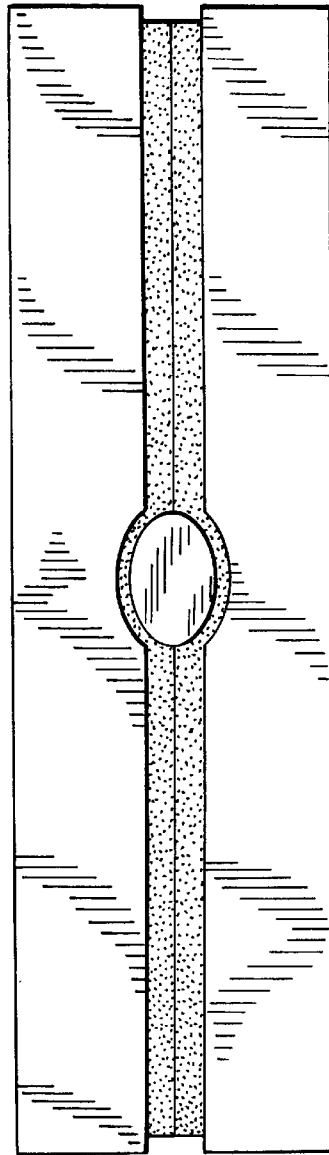


FIG. 10



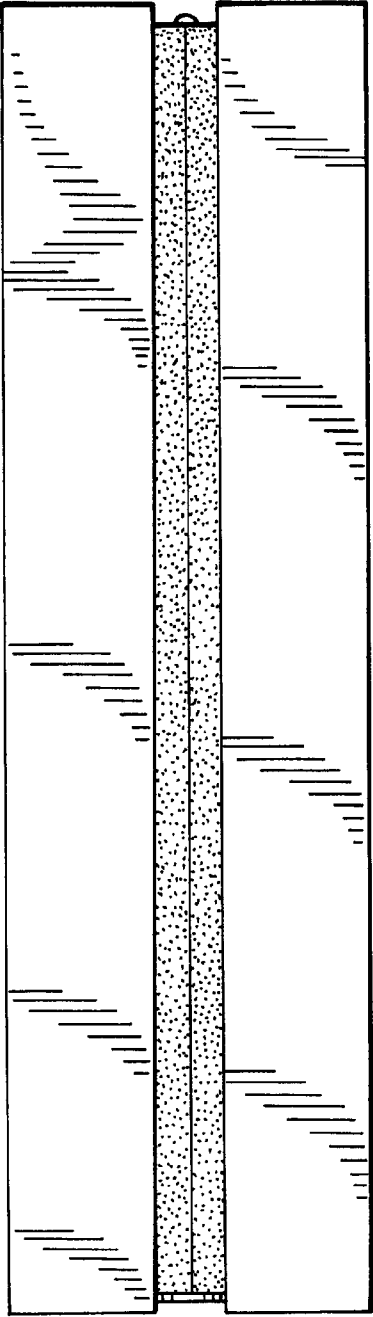


FIG. 11

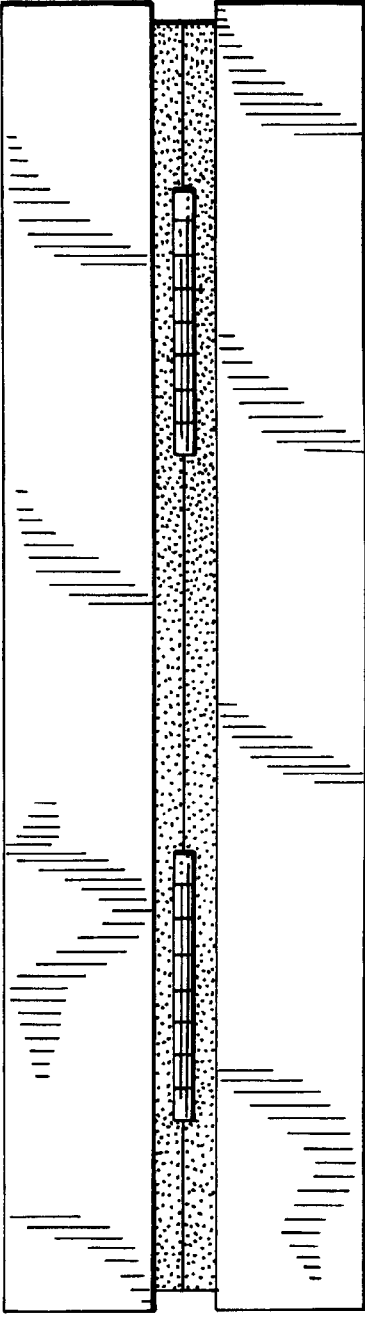


FIG. 12

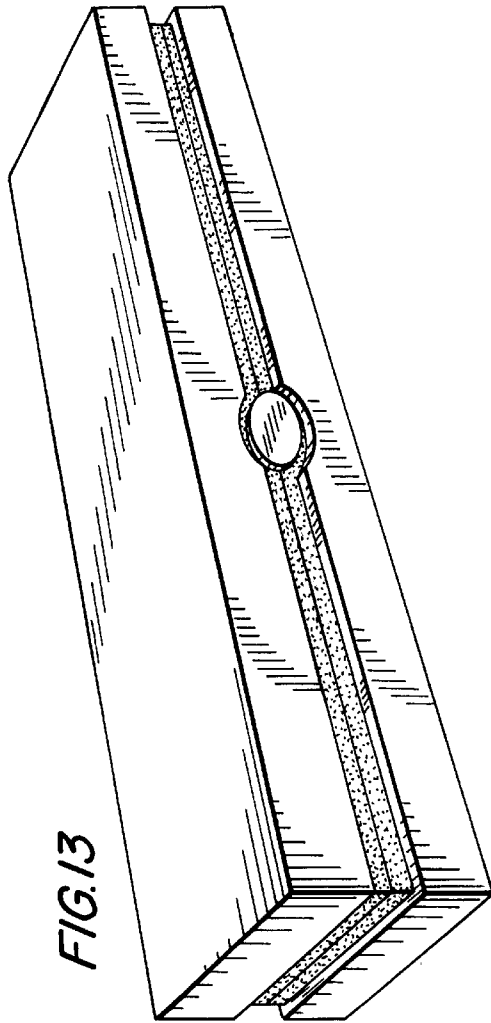
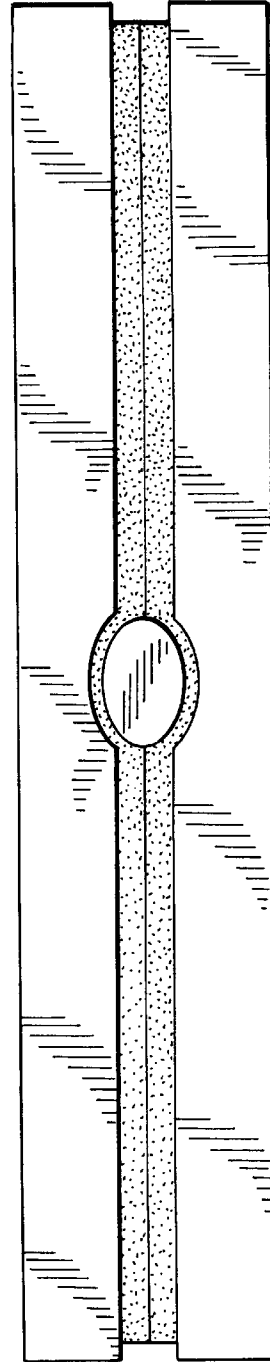


FIG. 14



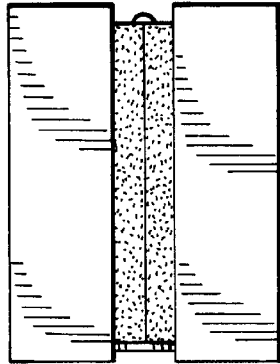


FIG. 15

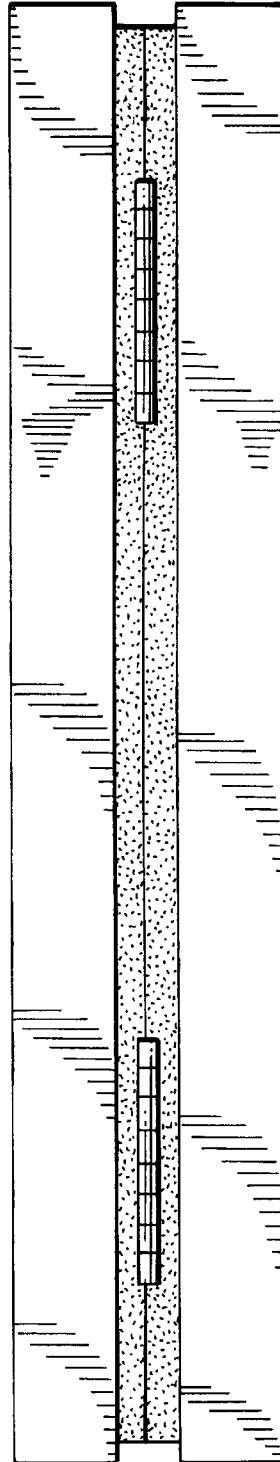


FIG. 16