

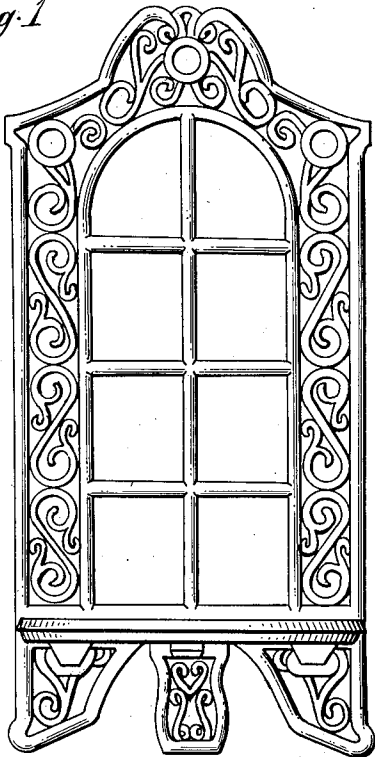
March 4, 1952

N. RUBIN  
CHINA STAND

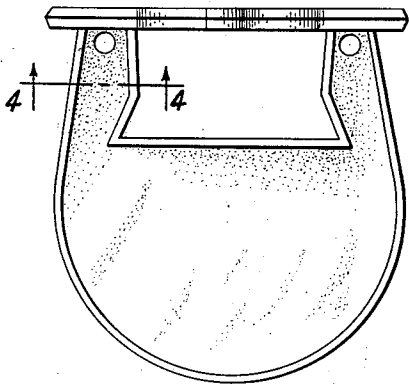
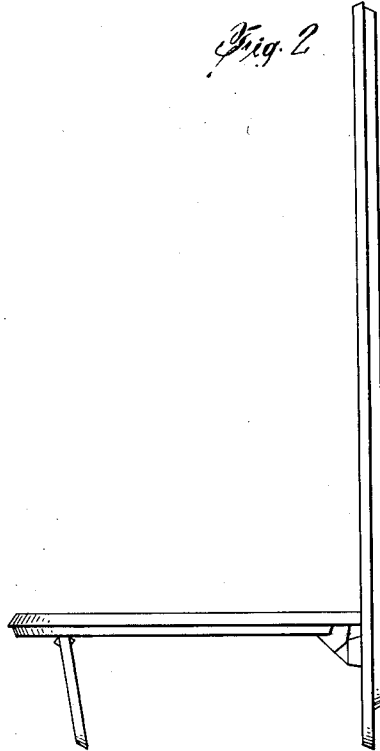
Des. 166,102

Filed Feb. 25, 1950

*Fig. 1*



*Fig. 2*



*Fig. 3*



*Fig. 4*

INVENTOR.  
NOAH RUBIN  
BY  
*He Bieman*  
ATTORNEY

# UNITED STATES PATENT OFFICE

166,102

## CHINA STAND

Noah Rubin, New York, N. Y., assignor to National Plastic Corp., New York, N. Y., a corporation of New York

Application February 25, 1950, Serial No. 8,141

Term of patent 3½ years

(Cl. D33-3)

*To all whom it may concern:*

Be it known that I, Noah Rubin, a citizen of the United States, residing in New York city, county and State of New York, have invented a new, original, and ornamental Design for a China Stand, of which the following is a specification, reference being had to the accompanying drawing, forming a part thereof, in which:

Fig. 1 is a front elevational view of my new design for a china stand;

Fig. 2 is a side elevational view thereof;

Fig. 3 is a top plan view thereof; and

Fig. 4 is a fragmentary enlarged cross-sectional view taken along line 4-4 of Fig. 3.

I claim:

The ornamental design for a china stand, as shown.

NOAH RUBIN.

### REFERENCES CITED

The following references are of record in the file of this patent:

#### UNITED STATES PATENTS

Number	Name	Date
D. 160,662	Rubin	Oct. 24, 1950