



US00D449331B1

(12) **United States Design Patent**
Kawahara et al.

(10) **Patent No.:** **US D449,331 S**

(45) **Date of Patent:** **** Oct. 16, 2001**

(54) **PROJECTOR**

(75) Inventors: **Manabu Kawahara; Masahiko Kobayashi; Teruo Sakurai; Jun Arai,**
all of Suwa (JP)

(73) Assignee: **Seiko Epson Corporation, Tokyo (JP)**

(**) Term: **14 Years**

(21) Appl. No.: **29/137,290**

(22) Filed: **Feb. 20, 2001**

(30) **Foreign Application Priority Data**

Aug. 24, 2000 (JP) 12-023338

(51) **LOC (7) Cl.** **16-02**

(52) **U.S. Cl.** **D16/230; D16/225**

(58) **Field of Search** D16/200-206,
D16/208, 213, 221, 225, 230, 231, 234;
D21/514; 353/115, 119, 122

(56) **References Cited**

U.S. PATENT DOCUMENTS

D. 398,019 * 9/1998 Uehara D16/231
D. 401,260 * 11/1998 Kodama et al. D16/225

D. 409,644 * 5/1999 Uehara D16/234
D. 421,036 * 2/2000 Oota et al. D16/231
D. 433,049 * 10/2000 Murakami D16/231

OTHER PUBLICATIONS

Sharp Catalog, Aug. 1993 p. 7.*

Vista Pro Catalog, Nissho Electronics Co. Ltd. 1997.*

* cited by examiner

Primary Examiner—Adir Aronovich

(74) *Attorney, Agent, or Firm*—Oliff & Berridge, PLC

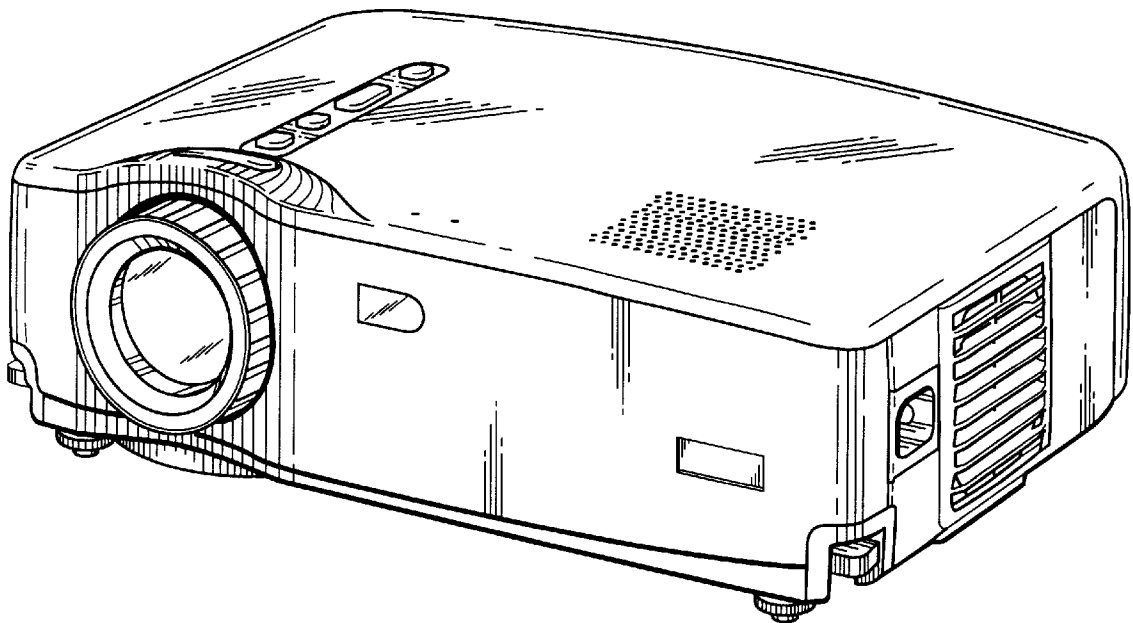
(57) **CLAIM**

The ornamental design for a projector, as shown and described.

DESCRIPTION

FIG. 1 is a front view of a projector;
FIG. 2 is a rear view thereof;
FIG. 3 is a left side view thereof;
FIG. 4 is a right side view thereof;
FIG. 5 is a top view thereof;
FIG. 6 is a bottom view; and,
FIG. 7 is a perspective view.

1 Claim, 3 Drawing Sheets



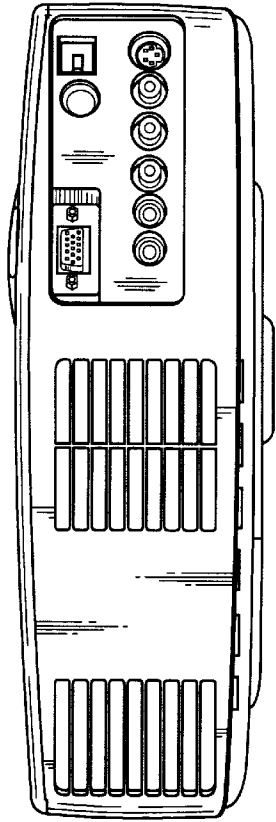


FIG. 2

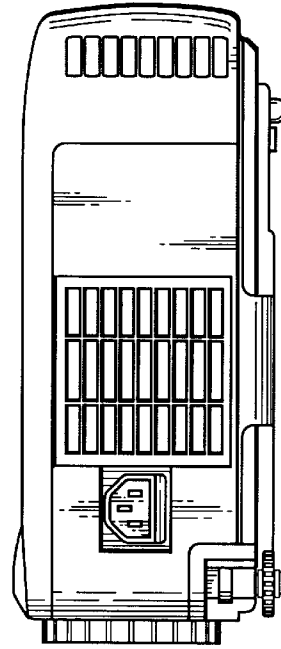


FIG. 4

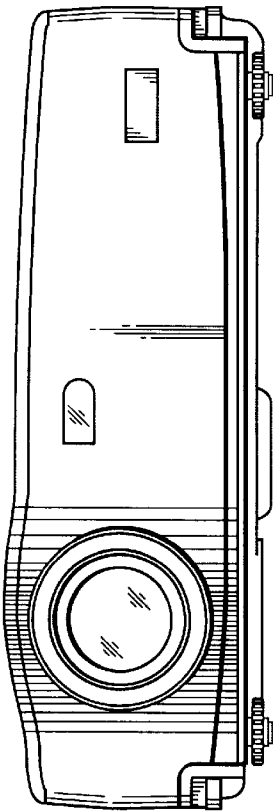


FIG. 1

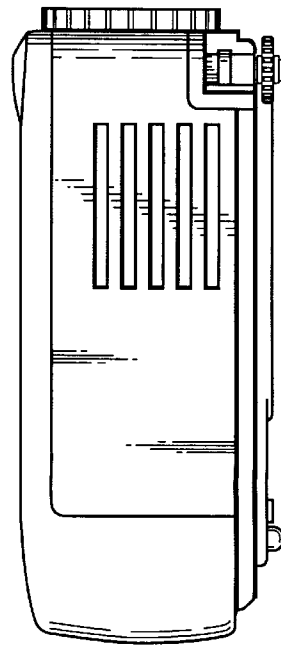


FIG. 3

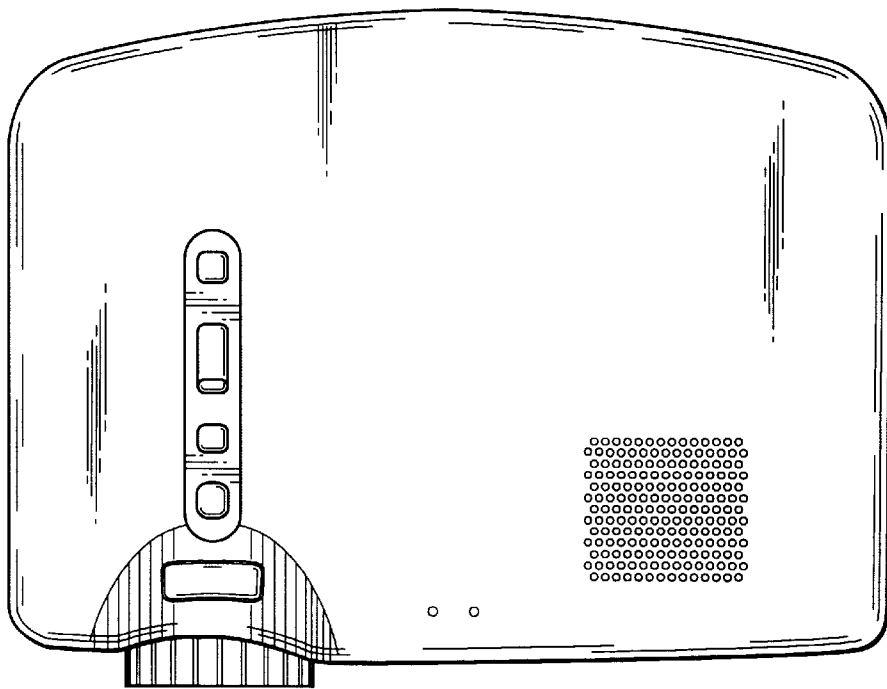


FIG. 5

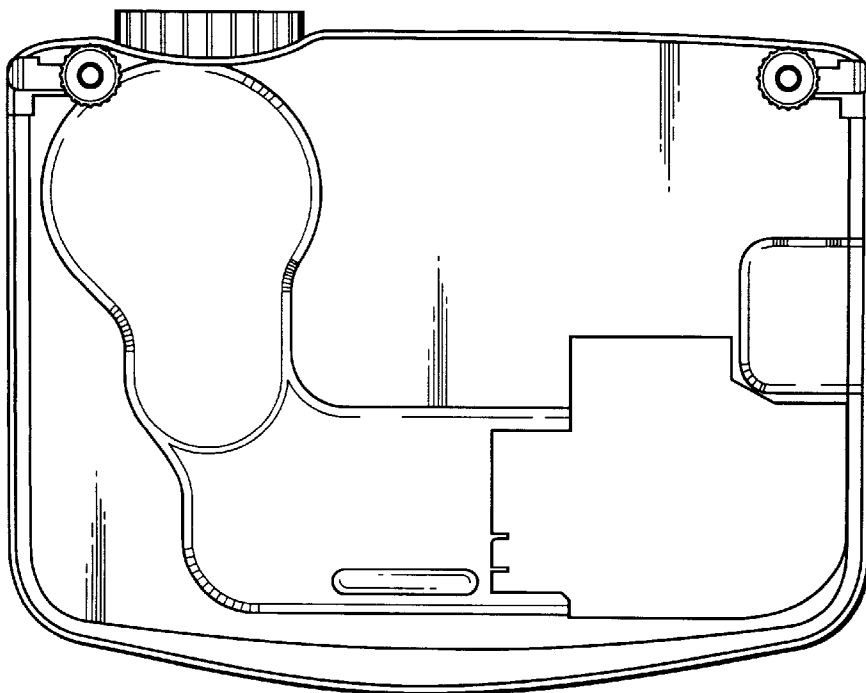


FIG. 6

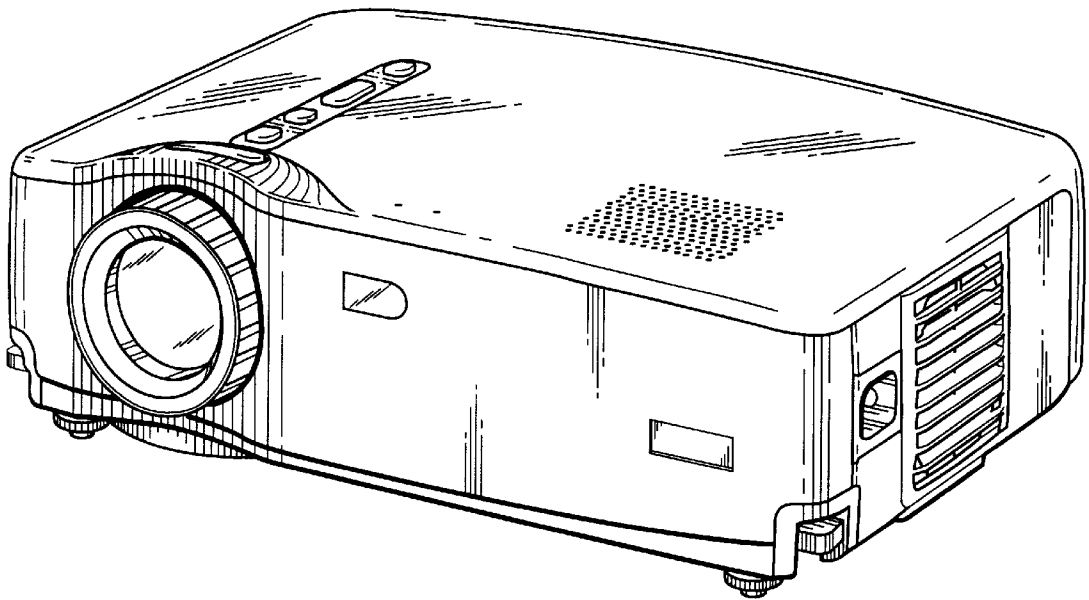


FIG. 7