

(19) World Intellectual Property Organization
International Bureau



(43) International Publication Date
9 April 2009 (09.04.2009)

PCT

(10) International Publication Number
WO 2009/045980 A3

(51) International Patent Classification:

A46B 7/06 (2006.01) A46B 9/04 (2006.01)
A46B 5/02 (2006.01) A46B 15/00 (2006.01)

(21) International Application Number:

PCT/US2008/078223

(22) International Filing Date:

30 September 2008 (30.09.2008)

(25) Filing Language:

English

(26) Publication Language:

English

(30) Priority Data:

11/866,620 3 October 2007 (03.10.2007) US

(71) Applicant (for all designated States except US): COLGATE-PALMOLIVE COMPANY [US/US]; 300 Park Avenue, New York, NY 10022 (US).

(72) Inventors; and

(75) Inventors/Applicants (for US only): WAGUESPACK, Kenneth [US/US]; 46 Princess Drive, North Brunswick, NJ 08902 (US). MOSKOVICH, Robert [US/US]; 20 Jensen Street, East Brunswick, NJ 08816 (US). RUSSELL, Bruce, M. [US/US]; 30 Flintlock Drive, Howell, NJ 07731 (US). HOHLBEIN, Douglas [US/US]; 45 Divertry Road, Pennington, NJ 08534 (US).

(74) Agent: WALLACE, Michael, Jr.; Colgate-palmolive Company, 909 River Road, PO Box 1343, Piscataway, NJ 08854 (US).

(81) Designated States (unless otherwise indicated, for every

kind of national protection available): AE, AG, AL, AM, AO, AT, AU, AZ, BA, BB, BG, BH, BR, BW, BY, BZ, CA, CH, CN, CO, CR, CU, CZ, DE, DK, DM, DO, DZ, EC, EE, EG, ES, FI, GB, GD, GE, GH, GM, GT, HN, HR, HU, ID, IL, IN, IS, JP, KE, KG, KM, KN, KP, KR, KZ, LA, LC, LK, LR, LS, LT, LU, LY, MA, MD, ME, MG, MK, MN, MW, MX, MY, MZ, NA, NG, NI, NO, NZ, OM, PG, PH, PL, PT, RO, RS, RU, SC, SD, SE, SG, SK, SL, SM, ST, SV, SY, TJ, TM, TN, TR, TT, TZ, UA, UG, US, UZ, VC, VN, ZA, ZM, ZW.

(84) Designated States (unless otherwise indicated, for every

kind of regional protection available): ARIPO (BW, GH, GM, KE, LS, MW, MZ, NA, SD, SL, SZ, TZ, UG, ZM, ZW), Eurasian (AM, AZ, BY, KG, KZ, MD, RU, TJ, TM), European (AT, BE, BG, CH, CY, CZ, DE, DK, EE, ES, FI, FR, GB, GR, HR, HU, IE, IS, IT, LT, LU, LV, MC, MT, NL, NO, PL, PT, RO, SE, SI, SK, TR), OAPI (BF, BJ, CF, CG, CI, CM, GA, GN, GQ, GW, ML, MR, NE, SN, TD, TG).

Published:

- with international search report (Art. 21(3))
- before the expiration of the time limit for amending the claims and to be republished in the event of receipt of amendments (Rule 48.2(h))

(88) Date of publication of the international search report:

13 August 2009

(54) Title: ORAL CARE IMPLEMENT HAVING ONE OR MORE MOVING SECTIONS

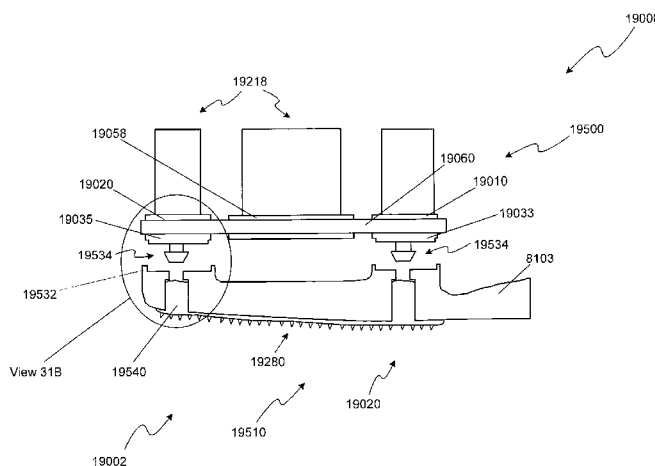


FIG. 31A

(57) Abstract: An oral care implement is provided having a head frame and a cleaning elements assembly attached thereto with tooth cleaning elements extending from one or more carriers. One or more central carriers can be suspended via a flexible bridge between a pair of support carriers attached to the head frame. The bridge may be formed from an elastomer and permit the one or more central carriers to move from an initial position toward the head frame during use. The bridge may include rigid supports and flexible elastomeric supports. The carriers and the bridge can be formed as a unitary assembly attached to the head frame, such as via mechanical connections. The mechanical connections could include snap-fit connections.



WO 2009/045980 A3

INTERNATIONAL SEARCH REPORT

International application No
PCT/US2008/078223

A. CLASSIFICATION OF SUBJECT MATTER
INV. A46B7/06 A46B5/02 A46B9/04 A46B15/00

According to International Patent Classification (IPC) or to both national classification and IPC

B. FIELDS SEARCHED

Minimum documentation searched (classification system followed by classification symbols)
A46B

Documentation searched other than minimum documentation to the extent that such documents are included in the fields searched

Electronic data base consulted during the international search (name of data base and, where practical, search terms used)

EPO-Internal

C. DOCUMENTS CONSIDERED TO BE RELEVANT

Category*	Citation of document, with indication, where appropriate, of the relevant passages	Relevant to claim No.
X	US 2006/200925 A1 (MOSKOVICH ET AL) 14 September 2006 (2006-09-14) paragraphs [0094] - [0096], [0098], [0101]; figures 19,20 -----	1-4, 9-13, 18-23
X	DE 93 19 232 U1 (WENIG) 17 March 1994 (1994-03-17) page 3; figure 1 -----	1-4, 9-13, 18-21
X	WO 89/06528 A (KLINKHAMMER) 27 July 1989 (1989-07-27) page 33, line 33 - page 38, line 7; figures 25-31 ----- -/--	1-3, 9-12, 18, 19, 21

Further documents are listed in the continuation of Box C. See patent family annex.

* Special categories of cited documents :

A document defining the general state of the art which is not considered to be of particular relevance	*T* later document published after the international filing date or priority date and not in conflict with the application but cited to understand the principle or theory underlying the invention
E earlier document but published on or after the international filing date	*X* document of particular relevance; the claimed invention cannot be considered novel or cannot be considered to involve an inventive step when the document is taken alone
L document which may throw doubts on priority claim(s) or which is cited to establish the publication date of another citation or other special reason (as specified)	*Y* document of particular relevance; the claimed invention cannot be considered to involve an inventive step when the document is combined with one or more other such documents, such combination being obvious to a person skilled in the art.
O document referring to an oral disclosure, use, exhibition or other means	*8* document member of the same patent family
P document published prior to the international filing date but later than the priority date claimed	

Date of the actual completion of the international search 23 June 2009	Date of mailing of the international search report 02/07/2009
---	--

Name and mailing address of the ISA/ European Patent Office, P.B. 5818 Patentlaan 2 NL - 2280 HV Rijswijk Tel. (+31-70) 340-2040, Fax: (+31-70) 340-3016	Authorized officer Ionescu, C
--	--------------------------------------

INTERNATIONAL SEARCH REPORT

International application No

PCT/US2008/078223

C(Continuation). . DOCUMENTS CONSIDERED TO BE RELEVANT		
Category*	Citation of document, with indication, where appropriate, of the relevant passages	Relevant to claim No.
X	US 5 224 764 A (KLINKHAMMER) 6 July 1993 (1993-07-06) column 13, lines 21-39; figures 27-30 -----	1-4, 9-13, 18-21,23
A	US 2 111 880 A (WATERS) 22 March 1938 (1938-03-22) column 2, lines 33-36 column 3, lines 40-48; figures 3,10 -----	1-4, 10-13,18
P,X	US 2007/277339 A1 (BARSHEHET) 6 December 2007 (2007-12-06) paragraphs [0063], [0064], [0066], [0068]; figures 1A-1C,2A,2B -----	1-3, 9-12,18, 19,21,23

INTERNATIONAL SEARCH REPORT

Information on patent family members

International application No

PCT/US2008/078223

Patent document cited in search report	Publication date	Patent family member(s)	Publication date
US 2006200925	A1	14-09-2006	
		AU 2007249477 A1	22-11-2007
		CA 2649958 A1	22-11-2007
		CN 101437420 A	20-05-2009
		EP 2015650 A1	21-01-2009
		KR 20090007487 A	16-01-2009
		WO 2007134026 A1	22-11-2007
DE 9319232	U1	17-03-1994	NONE
WO 8906528	A	27-07-1989	NONE
US 5224764	A	06-07-1993	NONE
US 2111880	A	22-03-1938	NONE
US 2007277339	A1	06-12-2007	NONE