



US00D815481S

(12) **United States Design Patent**
Wendt

(10) **Patent No.:** **US D815,481 S**

(45) **Date of Patent:** **** Apr. 17, 2018**

- (54) **BEVERAGE DISPENSER**
- (71) Applicant: **Service Ideas, Inc.**, Woodbury, MN (US)
- (72) Inventor: **Thomas Wendt**, Colfax, WI (US)
- (73) Assignee: **Service Ideas, Inc.**, Woodbury, MN (US)
- (**) Term: **15 Years**

D655,561 S *	3/2012	Wang	D7/306
D696,887 S *	1/2014	Minica	D7/306
D702,476 S *	4/2014	Minica	B67D 1/0085
				D7/306
D728,986 S *	5/2015	De'Longhi	D7/309
D760,009 S *	6/2016	Moammer	D7/309
D792,730 S *	7/2017	Ench	D7/306
D793,790 S *	8/2017	Wang	D7/306
2011/0107918 A1 *	5/2011	Santy	B67D 1/0021
				99/275
2016/0304331 A1 *	10/2016	Ench	B67D 3/0061

* cited by examiner

- (21) Appl. No.: **29/569,926**
- (22) Filed: **Jul. 1, 2016**
- (51) **LOC (11) Cl.** **07-01**
- (52) **U.S. Cl.** **D7/306; D7/311**
- (58) **Field of Classification Search**
- USPC D7/305-311, 313, 397; D15/82; 222/129.1, 146.6; 99/295
- CPC A47J 31/44; A47J 31/4403; A47J 31/46; A47J 31/4482; A47J 31/369; A47J 31/407; A47J 31/02; A47J 31/047; B67D 1/36; B67D 2210/0065; B67D 1/0864; B67D 1/0021
- See application file for complete search history.

Primary Examiner — Marianne Pandozzi
(74) *Attorney, Agent, or Firm* — Skaar Ulbrich Macari, P.A.

(57) **CLAIM**

I claim the ornamental design for a beverage dispenser, as shown and described.

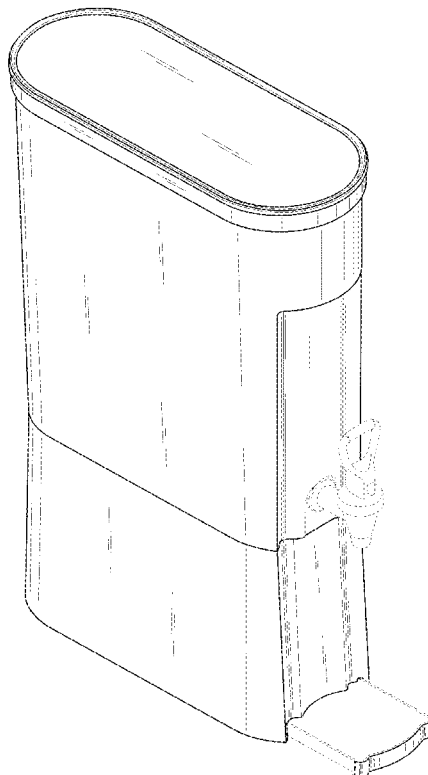
DESCRIPTION

FIG. 1 is a perspective view of a beverage dispenser showing my new design;
FIG. 2 is a side elevational view of FIG. 1;
FIG. 3 is a front elevational view of FIG. 1;
FIG. 4 is a rear elevational view of FIG. 1;
FIG. 5 is a top plan view of FIG. 1; and,
FIG. 6 is a bottom plan view of FIG. 1.
The broken lines in the drawing depict portions of the beverage dispenser that form no part of the claimed design.

(56) **References Cited**
U.S. PATENT DOCUMENTS

D518,677 S *	4/2006	Van Berlo	D7/306
D648,971 S *	11/2011	Goralski	D7/300

1 Claim, 6 Drawing Sheets



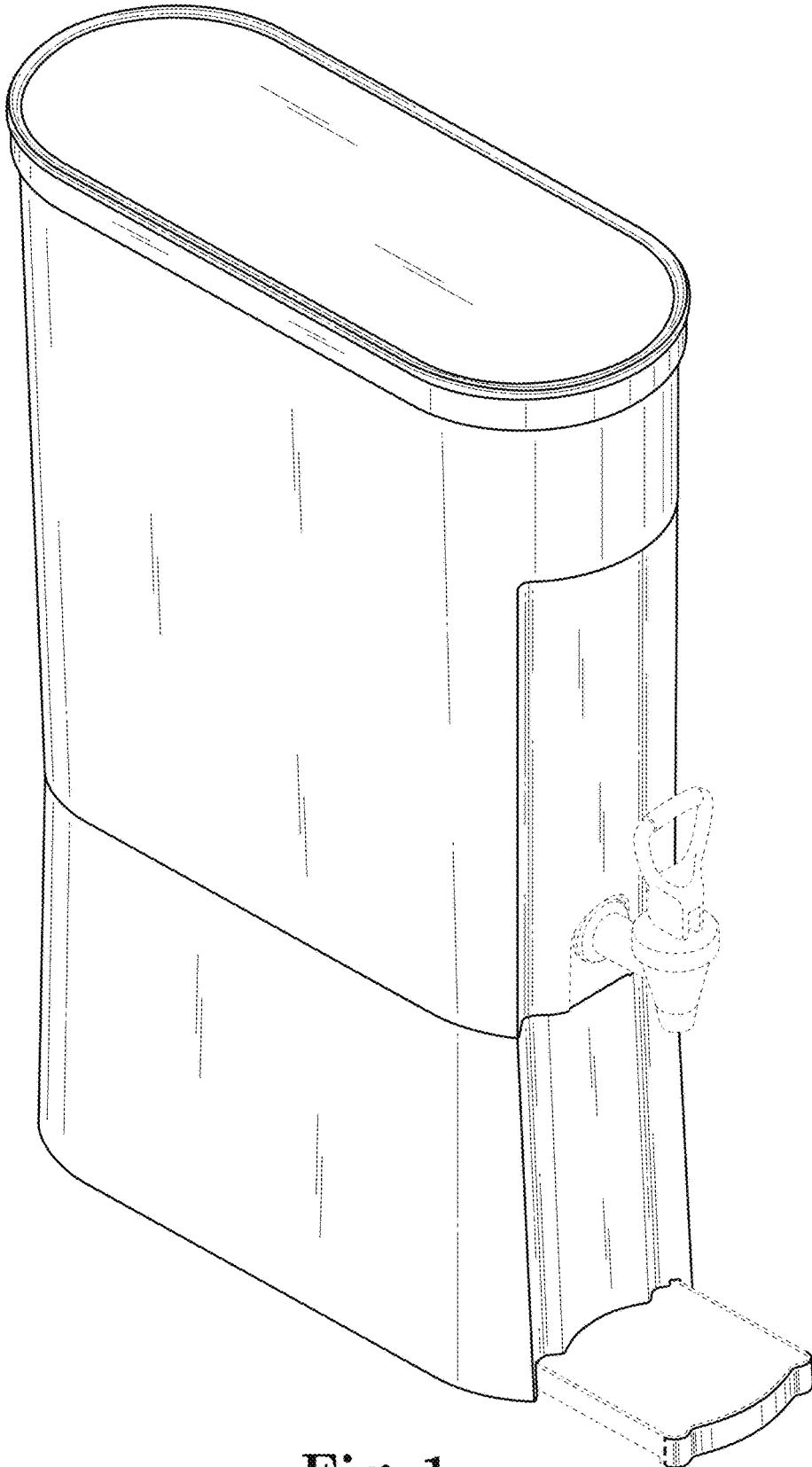


Fig. 1

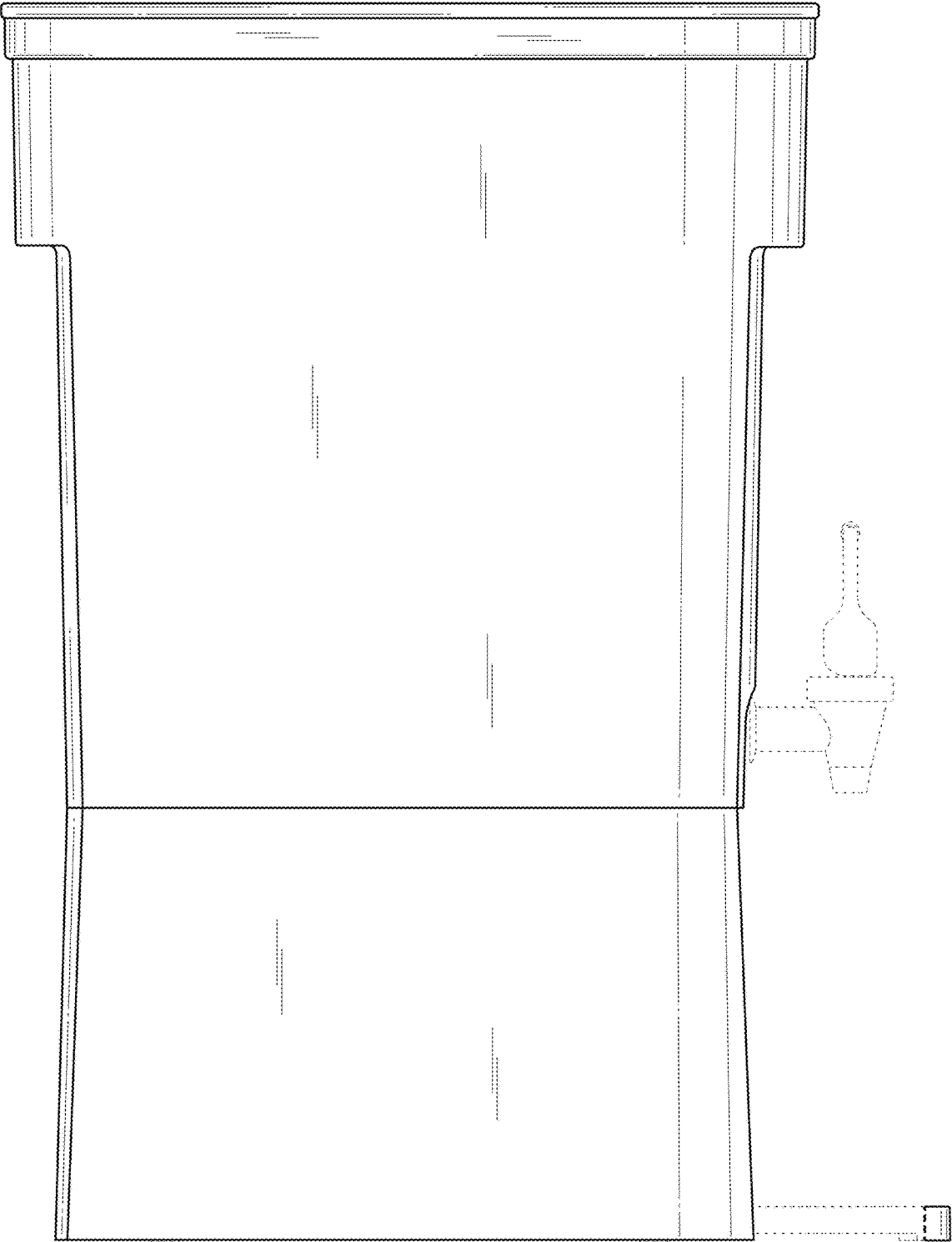


Fig. 2

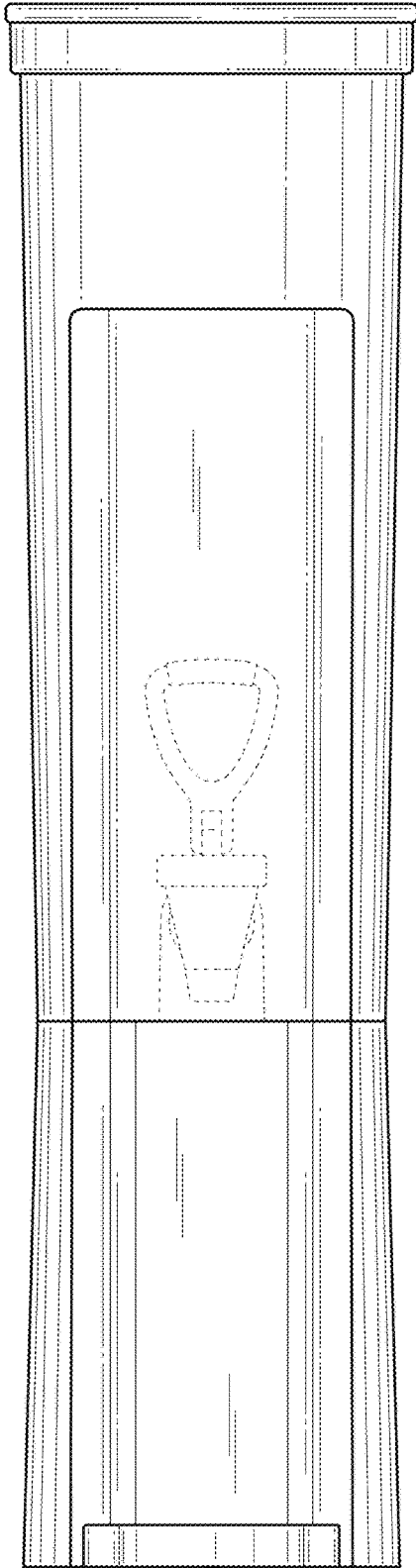


Fig. 3

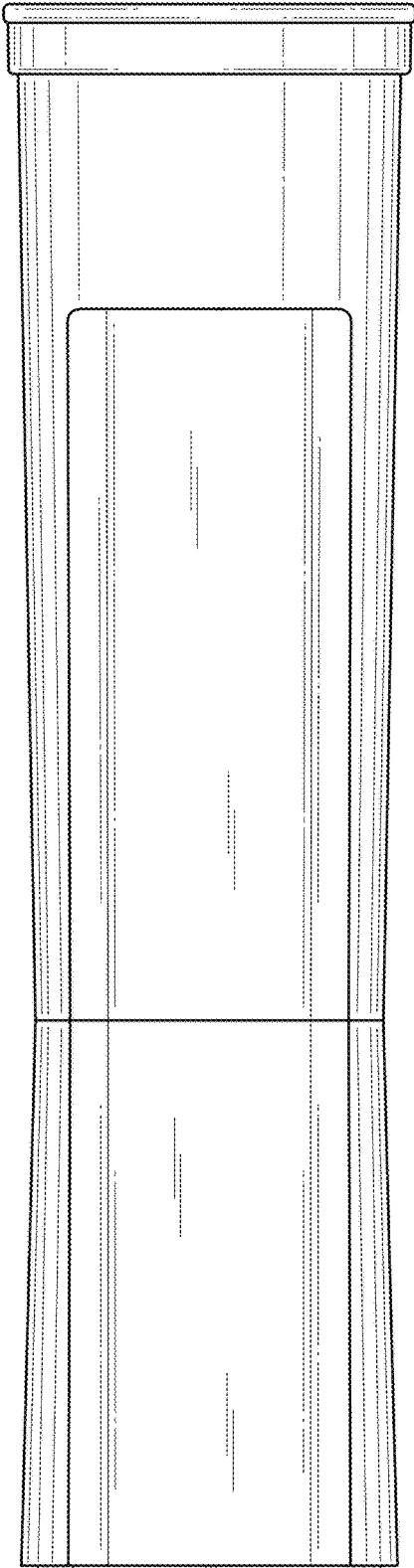


Fig. 4

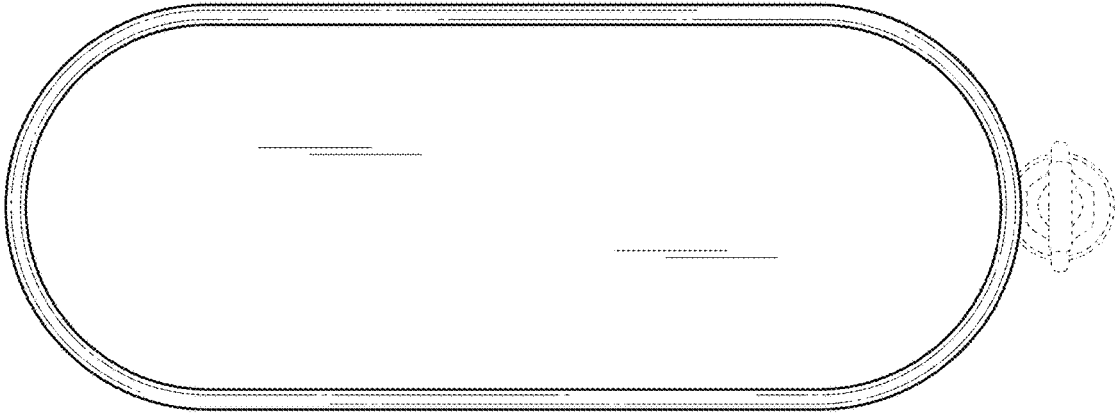


Fig. 5

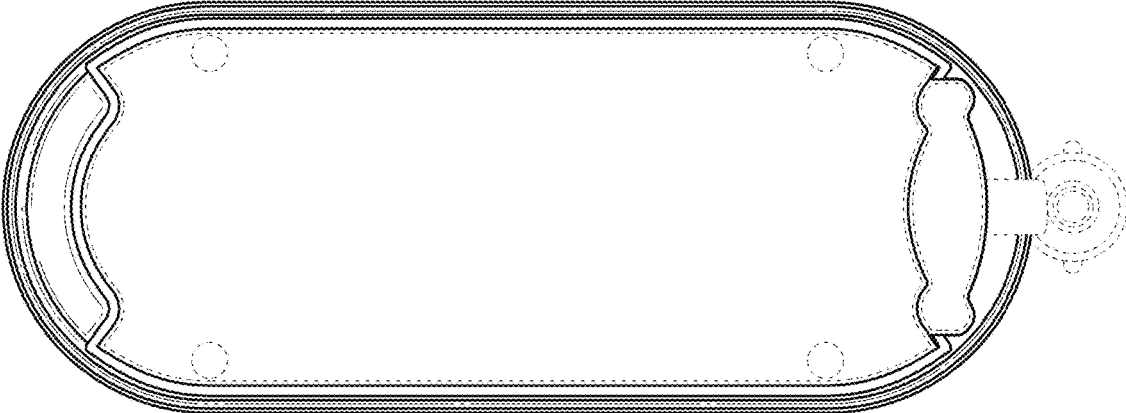


Fig. 6