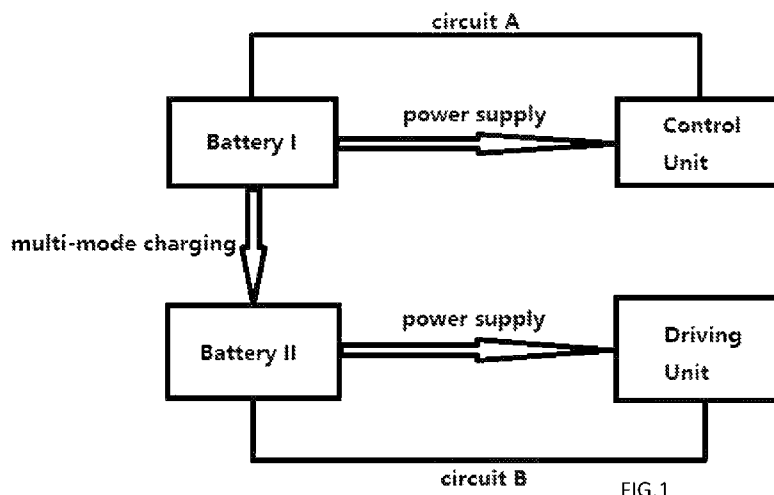




- (51) International Patent Classification:
A61M 5/142 (2006.01)
- (21) International Application Number:
PCT/CN2016/079575
- (22) International Filing Date:
18 April 2016 (18.04.2016)
- (25) Filing Language: English
- (26) Publication Language: English
- (71) Applicant: MEDTRUM TECHNOLOGIES INC.
[CN/CN]; 7F, Building 8, No. 200 Niudun Road,
Zhangjiang Hi-tech Park, Pudong New Area, Shanghai
201203 (CN).
- (72) Inventor: YANG, Cuijun; 7F, Building 8, No. 200 Niudun
Road, Zhangjiang Hi-tech Park, Pudong New Area, Shang-
hai 201203 (CN).
- (74) Agent: J.Z.M.C.PATENT AND TRADEMARK LAW
OFFICE; Yu Mingwei, Room 5022, No.335, Guo Ding
Road, Yangpu District, Shanghai 200092 (CN).
- (81) Designated States (unless otherwise indicated, for every
kind of national protection available): AE, AG, AL, AM,
AO, AT, AU, AZ, BA, BB, BG, BH, BN, BR, BW, BY, BZ,
CA, CH, CL, CN, CO, CR, CU, CZ, DE, DK, DM, DO, DZ,
EC, EE, EG, ES, FI, GB, GD, GE, GH, GM, GT, HN, HR,
HU, ID, IL, IN, IR, IS, JP, KE, KG, KN, KP, KR, KZ, LA,
LC, LK, LR, LS, LU, LY, MA, MD, ME, MG, MK, MN,
MW, MX, MY, MZ, NA, NG, NI, NO, NZ, OM, PA, PE,
PG, PH, PL, PT, QA, RO, RS, RU, RW, SA, SC, SD, SE,
SG, SK, SL, SM, ST, SV, SY, TH, TJ, TM, TN, TR, TT, TZ,
UA, UG, US, UZ, VC, VN, ZA, ZM, ZW.
- (84) Designated States (unless otherwise indicated, for every
kind of regional protection available): ARIPO (BW, GH,
GM, KE, LR, LS, MW, MZ, NA, RW, SD, SL, ST, SZ, TZ,
UG, ZM, ZW), Eurasian (AM, AZ, BY, KG, KZ, RU, TJ,
TM), European (AL, AT, BE, BG, CH, CY, CZ, DE, DK,
EE, ES, FI, FR, GB, GR, HR, HU, IE, IS, IT, LT, LU, LV,

(54) Title: MULTI-MODE POWER SUPPLY SYSTEM FOR A PORTABLE INFUSION DEVICE



(57) Abstract: A multi-mode power supply system for a portable infusion device is provided, comprising a Battery I and an Battery II, the Battery I constantly charges the Battery II constituting a charging circuit, which adopts one of multiple charging modes including a basal-rate slow charging mode, a bolus-dose fast charging mode and a background charging mode depending on different drug infusion conditions; the Battery I powers the control unit independently, and the Battery II powers the driving unit independently; a unidirectional conduction circuit, a monitoring circuit and a detecting circuit are further comprised to ensure the normal operation of the power supply system under various circumstances. Any two of the Battery I, the Battery II, the driving unit and the control unit can be located in one housing, and the other two in the other housing; regardless of any particular combination, the coupling of the Battery I with the control unit and the Battery II with the driving unit are both implemented directly by a connecting element or connecting elements. This implementation of power supply meets both needs of basic functions and high power functions of the system with stability and efficiency.



MC, MK, MT, NL, NO, PL, PT, RO, RS, SE, SI, SK, SM,
TR), OAPI (BF, BJ, CF, CG, CI, CM, GA, GN, GQ, GW,
KM, ML, MR, NE, SN, TD, TG).

Published:

— *with international search report (Art. 21(3))*

MULTI-MODE POWER SUPPLY SYSTEM FOR A PORTABLE INFUSION DEVICE

TECHNICAL FIELD

The present invention generally relates to the field of medical appliance, more particularly, to a multi-mode power supply system for a portable infusion device.

BACKGROUND OF THE INVENTION

Currently, a portable device in the market is usually powered by either an alkaline battery, a lithium-ion battery or a NiMH battery. One drawback of battery operated devices is the inability to utilize all of the energy stored in the battery due to the natural voltage decay associated with energy depletion. This particular problem is most prevalent with alkaline batteries, which tend to suffer a drop in voltage after a relatively short period of operating time even though an adequate amount of stored energy remains. Compared with alkaline batteries, Lithium-ion and nickel-metal hydride batteries tend to maintain a more stable voltage over time, which generally allows for a higher percentage of the stored energy to be utilized. Although lithium and NiMH batteries maintain a very stable voltage over time, they suffer from a sharp voltage drop at the end of life. Predicting when this drop will occur is very difficult and often requires a great deal of testing and characterization to send a warning to a user before the actual end of the battery life.

To solve the problems identified above, some companies proposed new approaches to the power supply of portable electronic devices, as a two-battery power supply system with three power phases disclosed in the publication of US2015263561A1 by Medtronic Minimed, in which one rechargeable battery can be recharged by a replaceable battery, and the two batteries provide energy for the basic functions and/or high voltage functions respectively under different power phases; another instance is a power supply system and method using two batteries for an analyte measurement device disclosed in the publication of

US20140059360A1 by Lifescan Scotland Ltd, making the working life of the device twice as long as compared to the traditional device relying on a single battery as the only power supply. Both publications involve power supply with two batteries as well as assemblies and methods for detecting the remaining capacity of the batteries, however, neither involves different charging modes depending on different operating modes of the device to meet different operating requirements, nor of them discussed the layout of the battery and the assemblies to be powered in the device, so as to say, the subject of minimizing the cost and maximizing the efficiency of the assemblies by the optimal permutations under the condition of the device being partly disposable is not considered.

A supercapacitor is a high-capacity electrochemical capacitor with capacitance values much higher than other capacitors that bridge the gap between electrolytic capacitors and rechargeable batteries whose energy storage process is a physical process with advantages of high power density, short charging time, long life, good temperature characteristics, energy conservation and environmental friendliness. It can be charged to any potential within the range of the rated voltage, and can be discharged completely, at the same time, neither over charge nor over discharge puts a negative impact on its life. Energy pulses can be transmitted repeatedly by supercapacitors and the charging-discharging circle can be repeated hundreds of thousands times. If the high power density of the capacitor and the high energy storage of the battery can be combined together, a better power supply method for portable devices can be created.

SUMMARY OF THE INVENTION

Regarding the above-mentioned shortcomings of the prior art, the present invention provides a multi-mode power supply system for a portable infusion device, comprising:

a Battery I, a Battery II, the Battery I is coupled with the Battery II, the Battery I is further coupled with a control unit, the Battery II is further coupled

with a driving unit;

wherein,

the Battery I is able to constantly charge the Battery II constituting a charging circuit, configured to maintain the voltage of the Battery II at a certain level;

the Battery I powers the control unit independently constituting a power supply circuit A, configured to ensure the infusion control of the portable infusion device by the control unit;

the Battery II powers the driving unit independently constituting a power supply circuit B, configured to drive the drug infusion;

the power supply circuit A and the power supply circuit B are independent from each other;

the charging circuit adopts one of multiple charging modes depending on different drug infusion conditions;

Alternatively, the multiple charging modes comprise:

a basal-rate slow charging mode, a bolus-dose fast charging mode and a background charging mode;

Alternatively, further comprises a unidirectional conduction circuit,

when the Battery I suddenly fails or is disconnected from the power supply circuit A, the multi-mode power supply system enters into a power failure protection mode, under which the Battery II powers the control unit via the unidirectional conduction circuit;

Alternatively, further comprises a monitoring circuit,

the monitoring circuit is configured to monitor the voltage of the Battery II, controlling the Battery I to charge the Battery II when the voltage of the Battery II is below a predetermined amount, and suspending the charging when the voltage of the Battery II reaches another predetermined amount;

Alternatively, the Battery I is a button battery;

Alternatively, the Battery I is a wireless charging induction coil;

Alternatively, the Battery II is a supercapacitor;

Alternatively, the Battery II is a rechargeable battery;

Alternatively, the rechargeable battery is a lithium-ion battery or a NiMH battery.

Alternatively, further comprises a detecting circuit,

the detecting circuit is monitoring the operating state of the driving unit in real time via detecting the voltage change of the Battery II caused by a single time infusion;

Alternatively, the Battery II powers the driving unit directly, configured to implement a variable voltage drive;

Alternatively, the Battery II powers the driving unit via a DC-DC converter, configured to implement a stable voltage drive;

Alternatively, the Battery II powers the driving unit via a LDO regulator, configured to implement a stable voltage drive;

Alternatively, further comprises a connecting element or connecting elements;

Alternatively, any two of the Battery I, the Battery II, the driving unit and the control unit are located in one housing, and the other two are located in the other housing,

regardless of any particular combination of these four components in the two housings, the coupling of the Battery I with the control unit and the Battery II with the driving unit are both implemented directly by a connecting element or connecting elements;

Alternatively, the number of the connecting element/connecting elements can be one or more;

Alternatively, the portable infusion device is a patch pump.

Compared to prior arts, the multi-mode power supply system for a portable infusion device in the present invention has advantages in the following ways:

Firstly, there is only one mode regarding one battery charging another in the prior art, but with the multi-mode power supply system in the present invention, strategy adjustments of multi-mode charging can be made based on different

infusion requirements, making the Battery I charge the Battery II in multiple modes, comprising: a basal-rate slow charging mode with a small current when the portable infusion device is operating under the basal-rate delivery mode, a bolus-dose fast charging mode with a high current when the portable infusion device is operating under the bolus-dose delivery mode, and a background charging mode with a micro current when there is no delivery taking place, to meet the requirements of multiple operating modes of the portable infusion device, which keeps the charging constant and more efficient, and extends the life of the Battery I at the same time. Secondly, any two of the Battery I, the Battery II, the driving unit and the control unit can be located in a same housing A, and the other two in the other housing B which can be separated from the before-mentioned housing A, and regardless of any particular combination of these four components in the two housings, the independent power supply of the Battery I for the control unit as well as the Battery II for the driving unit is predetermined, which can be realized by a single or multiple connecting elements directly, providing possibility of being partly-disposable for the portable infusion device. Thirdly, the Battery II of the multi-mode power supply system in the present invention can be a supercapacitor with advantages of high power density, short charging time, long life, good temperature characteristics, energy conservation and environmental friendliness, which brings more efficiency and stability to the power supply system.

BRIEF DESCRIPTION OF THE DRAWINGS

FIG.1 illustrates a schematic of a multi-mode power supply system for a portable infusion device in the present invention.

FIG.2 illustrates a schematic of the multi-mode power supply system for a portable infusion device in the present invention in a power failure protection mode.

FIG.3 illustrates a schematic of the multi-mode power supply system for a portable infusion device in the present invention when the Battery II powers the driving unit directly.

FIG.4 illustrates a schematic of the multi-mode power supply system for a portable infusion device in the present invention when the Battery II is coupled with the driving unit via a DC-DC converter.

FIG.5 illustrates a schematic of the multi-mode power supply system for a portable infusion device in the present invention when the Battery II is coupled with the driving unit via a LDO regulator.

FIG.6 illustrates a schematic of the multi-mode power supply system for a portable infusion device in the present invention when the Battery I and the driving unit are located in one housing, the Battery II and the control unit are located in the other housing, and the two housings are connected by connecting elements.

DETAILED DESCRIPTION

To make the above-mentioned objects, features and advantages of the present invention more obvious and understandable, the embodiments of the present invention are described in the following through specific embodiments.

Referring to FIG.1, an exemplary embodiment of the multi-mode power supply system for a portable infusion device in the present invention is provided, comprising: a Battery I, a Battery II, the Battery I is able to constantly charge the Battery II constituting a charging circuit, configured to maintain the voltage of the Battery II at a certain level; the charging circuit adopts one of multiple charging modes depending on different drug infusion conditions, comprising: a basal-rate slow charging mode with a small current when the portable infusion device is operating in the basal-rate delivery mode, a bolus-dose fast charging mode with a high current when the portable infusion device is operating under the bolus-dose delivery mode, and a background charging mode with a micro current when there is no delivery taking place; to meet the requirements of multiple operating modes of the portable infusion device.

The Battery I is further coupled with a control unit and powers the control unit independently constituting a power supply circuit A, configured to ensure the infusion control of the portable infusion device by the control unit; the Battery II is

further coupled with a driving unit and powers the driving unit independently constituting a power supply circuit B, configured to drive the drug infusion;

The power supply circuit A and the power supply circuit B are independent from each other; the Battery I and the Battery II have a clear division of labor: the Battery I powers the basic functions of the portable infusion device and charges Battery II, while the Battery II powers the high power functions of the portable infusion device. The Battery I is only responsible for small power supply and constant charging, so an easy-replaceable button battery is a good choice, while the Battery II is required to have a strong instantaneous discharging capacity to meet the needs of the high power function, making a supercapacitor with a super instantaneous discharging capacity a perfect choice.

Referring to FIG.2, an exemplary embodiment of the multi-mode power supply system for a portable infusion device in the present invention under a power failure protection mode is provided. As shown in the figure, when the Battery I suddenly fails or is disconnected from the power supply circuit A, the control unit cannot be powered by the power supply circuit A, so the multi-mode power supply system enters a power failure protection mode, under which the Battery II powers the control unit via the unidirectional conduction circuit, ensuring the normal operation of the control unit, so the portable infusion device can continue to operate normally in case the Battery I fails.

Referring to FIG.3, an exemplary embodiment of the multi-mode power supply system for a portable infusion device in the present invention when the Battery II powers the driving unit directly is provided. As shown in the figure, the Battery II powers the driving unit directly, configured to implement a variable voltage drive for the system.

Referring to FIG.4, an exemplary embodiment of the multi-mode power supply system for a portable infusion device in the present invention when the Battery II powers the driving unit via a DC-DC converter is provided. As shown in the figure, the Battery II is coupled with the driving unit via a DC-DC converter, configured to implement a stable voltage drive for the system.

Referring to FIG.5, an exemplary embodiment of the multi-mode power supply system for a portable infusion device in the present invention when the Battery II powers the driving unit via a LDO regulator is provided. As shown in the figure, the Battery II is coupled with the driving unit via a LDO regulator, configured to implement a stable voltage drive for the system.

Referring to FIG.6, also provided is an exemplary embodiment of the multi-mode power supply system for a portable infusion device in the present invention. In this embodiment, the Battery I, the driving unit and the connecting element 1 are located in the pump base housing; the Battery II, the control unit and the connecting element 2 are located in the controller housing; and the connecting element 1 is electrically connected with the connecting element 2, which implements the power supply from the Battery I to the control unit via the power supply circuit A, the power supply from the Battery II to the driving unit via the power supply circuit B, and the charging from the Battery I to the Battery II via the charging circuit.

What is claimed is:

1. A multi-mode power supply system for a portable infusion device, comprising:
A Battery I, a Battery II, the Battery I is coupled with the Battery II, the Battery I is further coupled with a control unit, the Battery II is further coupled with a driving unit;
wherein,
the Battery I is able to constantly charge the Battery II constituting a charging circuit, configured to maintain the voltage of the Battery II at a certain level;
the Battery I powers the control unit independently constituting a power supply circuit A, configured to ensure the infusion control of the portable infusion device by the control unit;
the Battery II powers the driving unit independently constituting a power supply circuit B, configured to drive the drug infusion;
the power supply circuit A and the power supply circuit B are independent from each other;
the charging circuit adopts one of multiple charging modes depending on different drug infusion conditions.
2. The multi-mode power supply system for a portable infusion device according to claim 1, wherein,
the multiple charging modes comprise:
a basal-rate slow charging mode, a bolus-dose fast charging mode and a background charging mode.
3. The multi-mode power supply system for a portable infusion device according to claim 1, wherein,
further comprises a unidirectional conduction circuit;
when the Battery I suddenly fails or is disconnected from the power supply circuit A, the multi-mode power supply system enters a power failure protection mode, under which the Battery II powers the control unit via the unidirectional conduction circuit.
4. The multi-mode power supply system for a portable infusion device according to

- claim 1, wherein,
further comprises a monitoring circuit;
the monitoring circuit is configured to monitor the voltage of the Battery II,
controlling the Battery I to charge the Battery II when the voltage of the Battery II
is below a predetermined amount, and suspending the charging when the
voltage of the Battery II reaches another predetermined amount.
5. The multi-mode power supply system for a portable infusion device according to
claim 1, wherein,
The Battery I is a button battery.
6. The multi-mode power supply system for a portable infusion device according to
claim 1, wherein,
The Battery I is a wireless charging induction coil.
7. The multi-mode power supply system for a portable infusion device according to
claim 1, wherein,
The Battery II is a supercapacitor.
8. The multi-mode power supply system for a portable infusion device according to
claim 1, wherein,
The Battery I is a rechargeable battery.
9. The multi-mode power supply system for a portable infusion device according to
claim 8, wherein,
The rechargeable battery is a lithium-ion battery or a NiMH battery.
10. The multi-mode power supply system for a portable infusion device according to
claim 1, wherein,
further comprises a detecting circuit;
the detecting circuit is configured to monitor the operating state of the driving
unit in real time via detecting the voltage change of the Battery II caused by a
single time infusion.
11. The multi-mode power supply system for a portable infusion device according to
claim 1, wherein,
The Battery II powers the driving unit directly, configured to implement a variable

voltage drive.

12. The multi-mode power supply system for a portable infusion device according to claim 1, wherein,

The Battery II powers the driving unit via a DC-DC converter, configured to implement a stable voltage drive.

13. The multi-mode power supply system for a portable infusion device according to claim 1, wherein,

The Battery II powers the driving unit via a LDO regulator, configured to implement a stable voltage drive.

14. The multi-mode power supply system for a portable infusion device according to claim 1, wherein,

further comprises a connecting element or connecting elements;

any two of the Battery I, the Battery II, the driving unit and the control unit are located in one housing, and the other two are located in the other housing;

regardless of any particular combination of these four components in the two housings, the coupling of the Battery I with the control unit and the Battery II with the driving unit are both implemented directly by a connecting element or connecting elements,

the number of the connecting element or connecting elements can be one or more.

15. The multi-mode power supply system for a portable infusion device according to any claim from claim 1-14, wherein,

The portable infusion device is a patch pump.

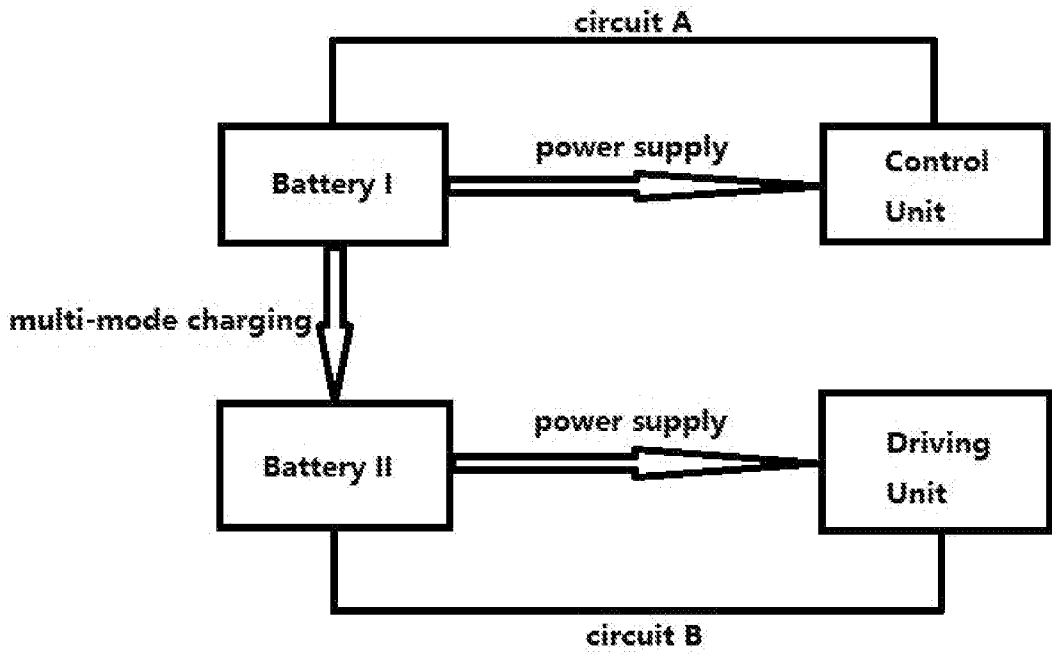


FIG. 1

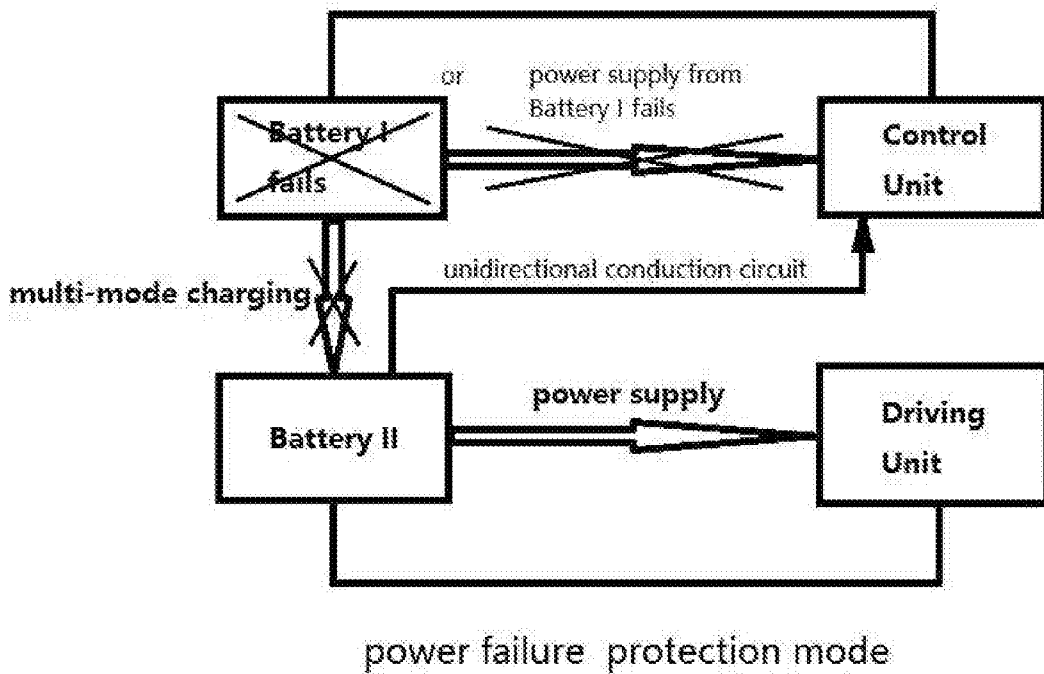


FIG. 2

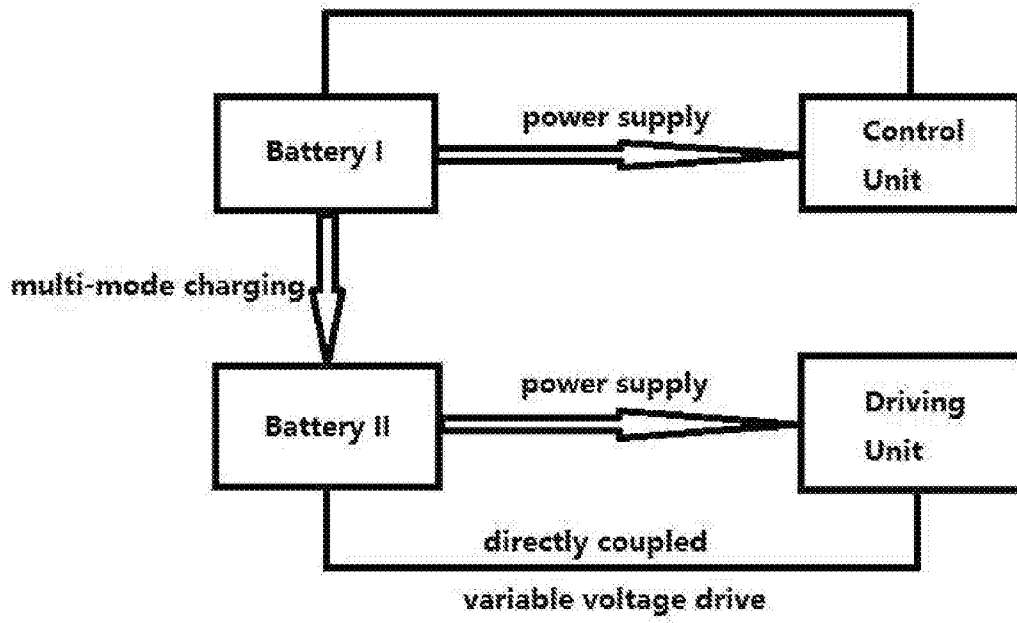


FIG.3

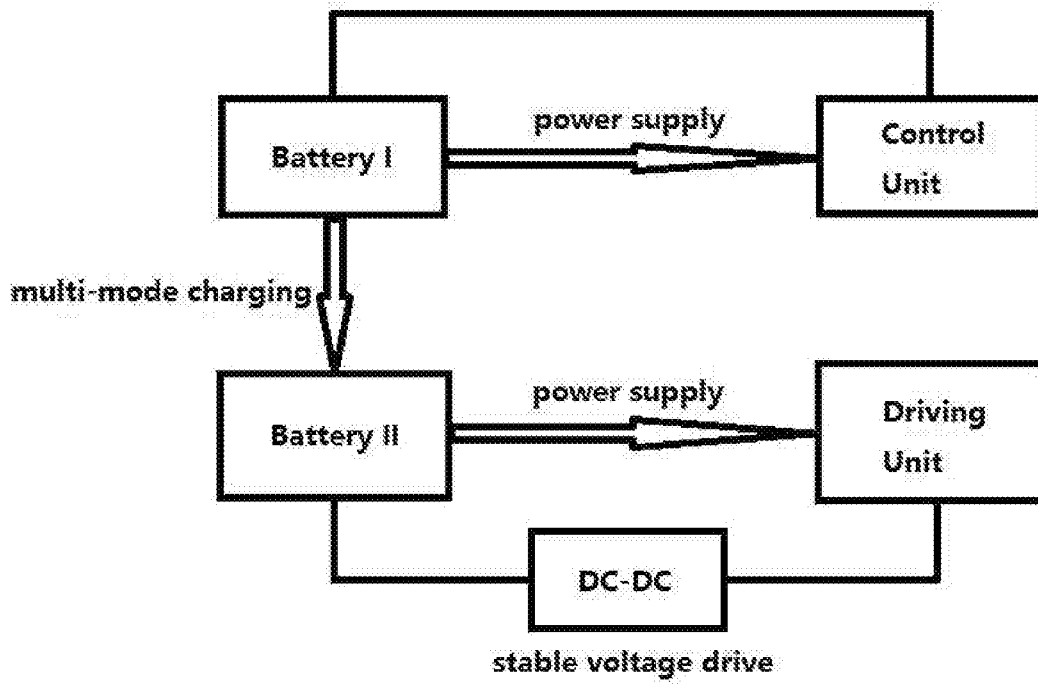


FIG.4

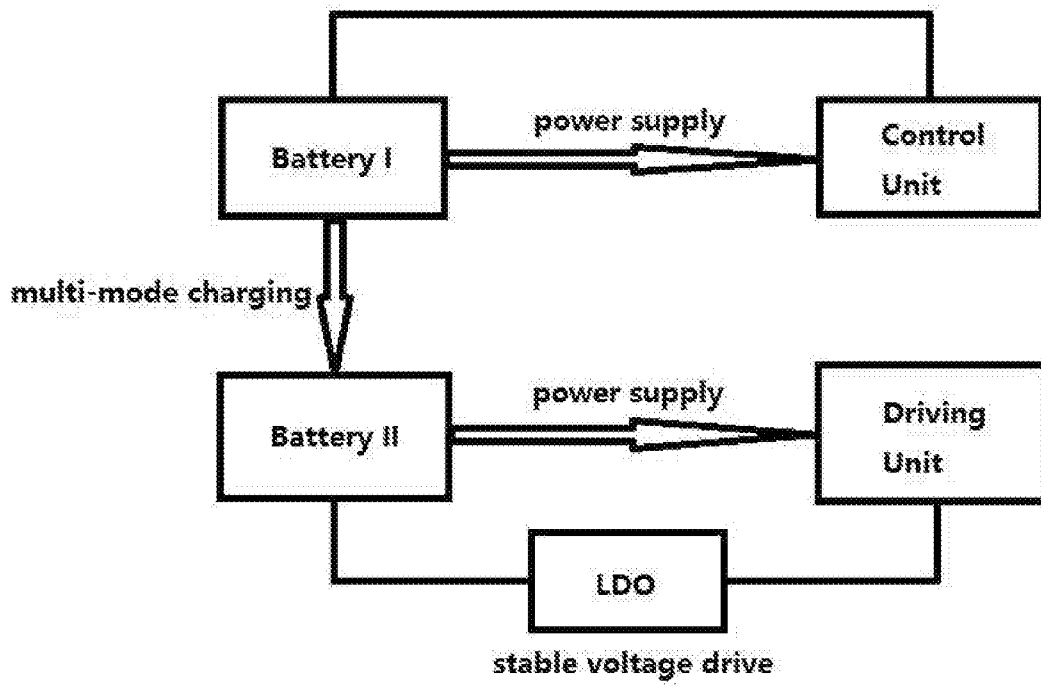


FIG.5

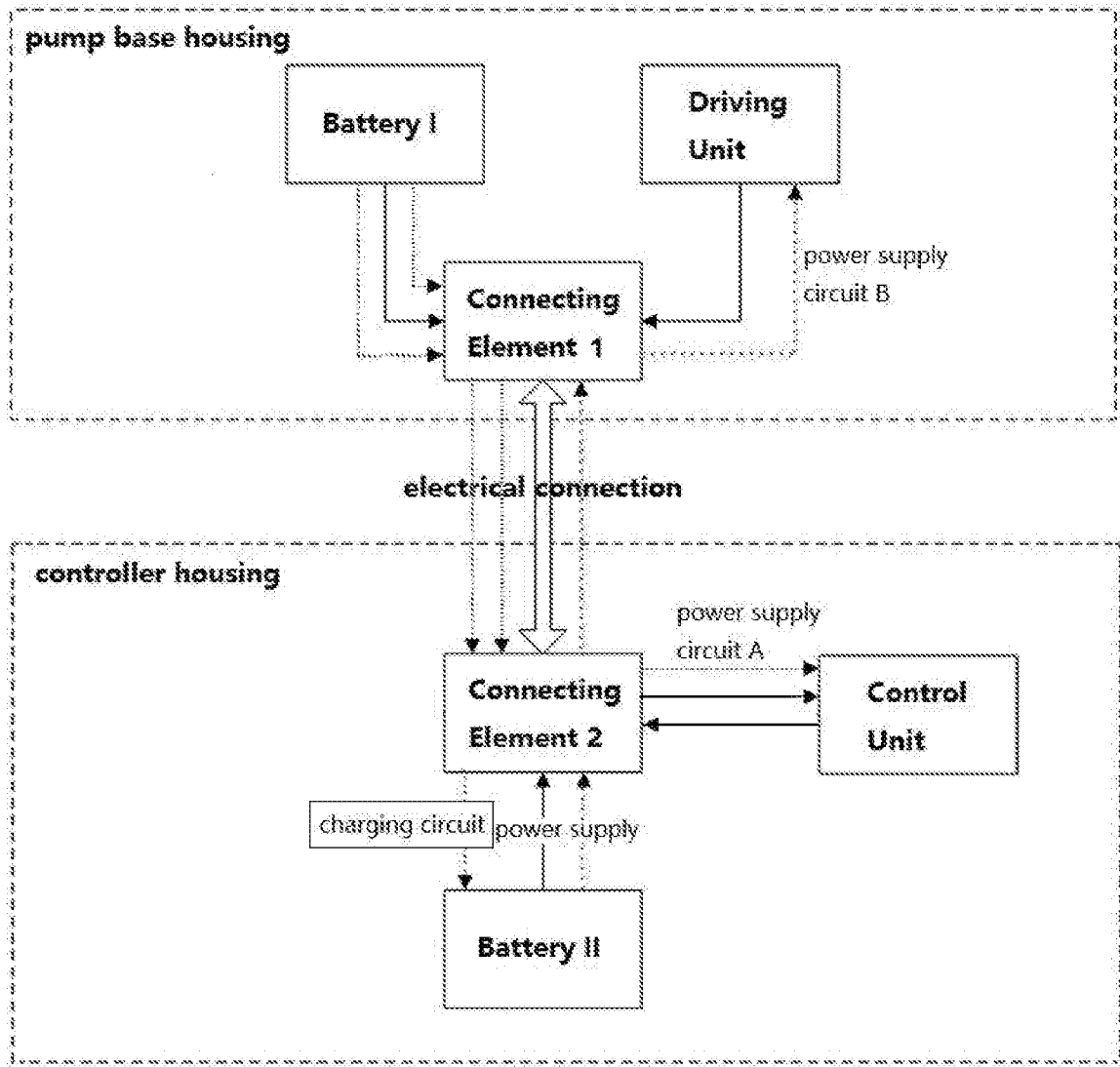


FIG.6

INTERNATIONAL SEARCH REPORT

International application No.

PCT/CN2016/079575

A. CLASSIFICATION OF SUBJECT MATTER

A61M 5/142(2006.01)i

According to International Patent Classification (IPC) or to both national classification and IPC

B. FIELDS SEARCHED

Minimum documentation searched (classification system followed by classification symbols)

H01M 10/-; A61M 5/-

Documentation searched other than minimum documentation to the extent that such documents are included in the fields searched

Electronic data base consulted during the international search (name of data base and, where practicable, search terms used)

WPI,EPODOC,CNPAT,CNKI:infusion,battery,pump,control

C. DOCUMENTS CONSIDERED TO BE RELEVANT

Category*	Citation of document, with indication, where appropriate, of the relevant passages	Relevant to claim No.
X	US 2011060318 A1 (FREY DANIEL JOHN) 10 March 2011 (2011-03-10) description, paragraphs [0014]-[0027]	1, 2, 4, 5, 7-13, 15
Y	US 2011060318 A1 (FREY DANIEL JOHN) 10 March 2011 (2011-03-10) description, paragraphs [0014]-[0027]	6
Y	CN 205095137 U (NANTONG APON MEDICAL APPLIANCE CO LTD ET AL.) 23 March 2016 (2016-03-23) description, paragraphs [0038]-[0041]	6
A	US 2008243079 A1 (NIPRO DIABETES SYSTEMS INC) 02 October 2008 (2008-10-02) the whole document	1-15

 Further documents are listed in the continuation of Box C. See patent family annex.

* Special categories of cited documents:

"A" document defining the general state of the art which is not considered to be of particular relevance

"E" earlier application or patent but published on or after the international filing date

"L" document which may throw doubts on priority claim(s) or which is cited to establish the publication date of another citation or other special reason (as specified)

"O" document referring to an oral disclosure, use, exhibition or other means

"P" document published prior to the international filing date but later than the priority date claimed

"T" later document published after the international filing date or priority date and not in conflict with the application but cited to understand the principle or theory underlying the invention

"X" document of particular relevance; the claimed invention cannot be considered novel or cannot be considered to involve an inventive step when the document is taken alone

"Y" document of particular relevance; the claimed invention cannot be considered to involve an inventive step when the document is combined with one or more other such documents, such combination being obvious to a person skilled in the art

"&" document member of the same patent family

Date of the actual completion of the international search

21 December 2016

Date of mailing of the international search report

20 January 2017

Name and mailing address of the ISA/CN

STATE INTELLECTUAL PROPERTY OFFICE OF THE
P.R.CHINA
6, Xitucheng Rd., Jimen Bridge, Haidian District, Beijing
100088
China

Authorized officer

MA,Dongna

Facsimile No. (86-10)62019451

Telephone No. (86-10)62411615

INTERNATIONAL SEARCH REPORT
Information on patent family members

International application No.

PCT/CN2016/079575

Patent document cited in search report			Publication date (day/month/year)	Patent family member(s)			Publication date (day/month/year)
US	2011060318	A1	10 March 2011	EP	2475418	A1	18 July 2012
				US	9125982	B2	08 September 2015
				EP	2475418	A4	22 July 2015
				WO	2011031367	A1	17 March 2011
.....							
CN	205095137	U	23 March 2016	None			
.....							
US	2008243079	A1	02 October 2008	WO	2008121505	A1	09 October 2008
				US	8390244	B2	05 March 2013
.....							