

(19) World Intellectual Property Organization
International Bureau



(43) International Publication Date
8 November 2007 (08.11.2007)

PCT

(10) International Publication Number
WO 2007/127724 A3

(51) International Patent Classification:
A47C 4/00 (2006.01)

(21) International Application Number:

PCT/US2007/067293

(22) International Filing Date: 24 April 2007 (24.04.2007)

(25) Filing Language: English

(26) Publication Language: English

(30) Priority Data:

11/412,679 27 April 2006 (27.04.2006) US

(71) Applicant: **L & P PROPERTY MANAGEMENT COMPANY** [US/US]; 4095 Firestone Boulevard, South Gate, CA 90280 (US).

(72) Inventor: **WIECEK, Glenn, N.**; 2219 Ridge Way, Shelbyville, KY 40065 (US).

(74) Agents: **STROHM, Scott B.** et al.; Shook, Hardy & Bacon L.L.P., 2555 Grand Blvd., Kansas City, MO 64108-2613 (US).

(81) Designated States (unless otherwise indicated, for every kind of national protection available): AE, AG, AL, AM, AT, AU, AZ, BA, BB, BG, BH, BR, BW, BY, BZ, CA, CH,

CN, CO, CR, CU, CZ, DE, DK, DM, DZ, EC, EE, EG, ES, FI, GB, GD, GE, GH, GM, GT, HN, HR, HU, ID, IL, IN, IS, JP, KE, KG, KM, KN, KP, KR, KZ, LA, LC, LK, LR, LS, LT, LU, LY, MA, MD, MG, MK, MN, MW, MX, MY, MZ, NA, NG, NI, NO, NZ, OM, PG, PH, PL, PT, RO, RS, RU, SC, SD, SE, SG, SK, SL, SM, SV, SY, TJ, TM, TN, TR, TT, TZ, UA, UG, UZ, VC, VN, ZA, ZM, ZW.

(84) Designated States (unless otherwise indicated, for every kind of regional protection available): ARIPO (BW, GH, GM, KE, LS, MW, MZ, NA, SD, SL, SZ, TZ, UG, ZM, ZW), Eurasian (AM, AZ, BY, KG, KZ, MD, RU, TJ, TM), European (AT, BE, BG, CH, CY, CZ, DE, DK, EE, ES, FI, FR, GB, GR, HU, IE, IS, IT, LT, LU, LV, MC, MT, NL, PL, PT, RO, SE, SI, SK, TR), OAPI (BF, BJ, CF, CG, CI, CM, GA, GN, GQ, GW, ML, MR, NE, SN, TD, TG).

Published:

— with international search report

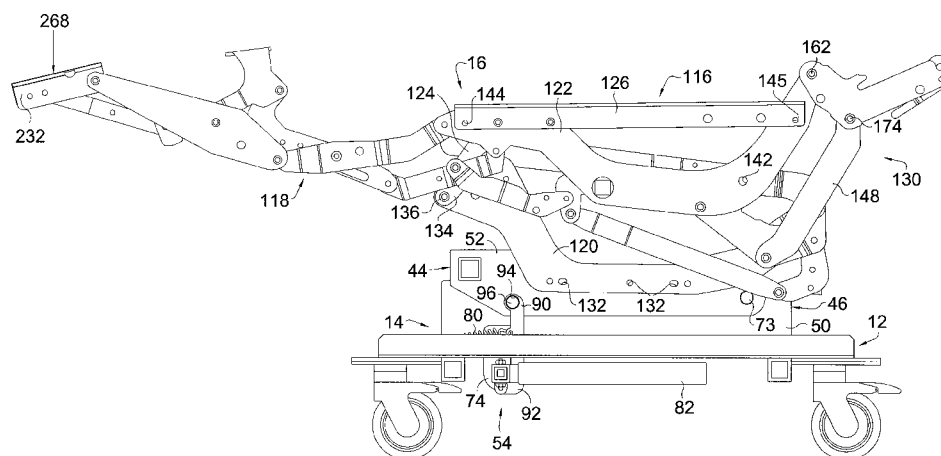
— before the expiration of the time limit for amending the claims and to be republished in the event of receipt of amendments

(88) Date of publication of the international search report:

24 January 2008

For two-letter codes and other abbreviations, refer to the "Guidance Notes on Codes and Abbreviations" appearing at the beginning of each regular issue of the PCT Gazette.

(54) Title: SLEEP OVER RECLINER CHAIR



(57) Abstract: This invention is related to a sleep over recliner chair having a footrest mechanism and a recliner mechanism that operate independently of one another. The sleep over recliner chair includes a footrest, a seat, back, and a pair of spaced apart armrests. Further, the sleep over recliner chair includes a base, a reverse tilt mechanism coupled with the base, and a linkage mechanism coupled with the reverse tilt mechanism. The linkage mechanism includes a recliner mechanism and a footrest mechanism. The footrest mechanism is adapted to move between a first, closed position and a second, open position. The recliner mechanism is adapted to move between a first, upright position and a second, fully reclined position. Further, the footrest and recliner mechanisms operate independently of one another.

WO 2007/127724 A3

INTERNATIONAL SEARCH REPORT

International application No.

PCT/US07/67293

A. CLASSIFICATION OF SUBJECT MATTER
 IPC: **A47C 4/00(2006.01)**

USPC: 297/30
 According to International Patent Classification (IPC) or to both national classification and IPC

B. FIELDS SEARCHED

Minimum documentation searched (classification system followed by classification symbols)
 U.S. : 297/30, 69, 83, 326, 328, 423.2

Documentation searched other than minimum documentation to the extent that such documents are included in the fields searched

Electronic data base consulted during the international search (name of data base and, where practicable, search terms used)

C. DOCUMENTS CONSIDERED TO BE RELEVANT

| Category * | Citation of document, with indication, where appropriate, of the relevant passages | Relevant to claim No. |
|------------|------------------------------------------------------------------------------------|-----------------------|
| X --- | US 3,572,823 (Hampton) 30 March 1971, entire document. | 10-16 ----- |
| Y | | 1-9, 17-23 |
| Y | US 1,934,281 (Poggendorf) 21 November 1932, entire document. | 1-9, 17-23 |

Further documents are listed in the continuation of Box C. See patent family annex.

| | |
|-------------------------------------------------------------------------------------------------------------------------------------------------------------------------|--------------------------------------------------------------------------------------------------------------------------------------------------------------------------------------------------------------------------------------------------|
| * Special categories of cited documents: | "T" later document published after the international filing date or priority date and not in conflict with the application but cited to understand the principle or theory underlying the invention |
| "A" document defining the general state of the art which is not considered to be of particular relevance | "X" document of particular relevance; the claimed invention cannot be considered novel or cannot be considered to involve an inventive step when the document is taken alone |
| "E" earlier application or patent published on or after the international filing date | "Y" document of particular relevance; the claimed invention cannot be considered to involve an inventive step when the document is combined with one or more other such documents, such combination being obvious to a person skilled in the art |
| "L" document which may throw doubts on priority claim(s) or which is cited to establish the publication date of another citation or other special reason (as specified) | "&" document member of the same patent family |
| "O" document referring to an oral disclosure, use, exhibition or other means | |
| "P" document published prior to the international filing date but later than the priority date claimed | |

| | |
|-------------------------------------------------------------------------------------------|--------------------------------------------------------------------------|
| Date of the actual completion of the international search 11 October 2007 (11.10.2007) | Date of mailing of the international search report 16 NOV 2007 |
|-------------------------------------------------------------------------------------------|--------------------------------------------------------------------------|

| | |
|---------------------------------------------------------------------------------------------------------------------------------------------------------------------------------------|---------------------------------------------------------------------------------------|
| Name and mailing address of the ISA/US Mail Stop PCT, Attn: ISA/US Commissioner for Patents P.O. Box 1450 Alexandria, Virginia 22313-1450 Facsimile No. (571) 273-3201 | Authorized officer Sarah B. McPartlin <i>V Healy</i> Telephone No. 571-272-5250 |
|---------------------------------------------------------------------------------------------------------------------------------------------------------------------------------------|---------------------------------------------------------------------------------------|