



US00D367170S

# United States Patent [19]

Huang

[11] Patent Number: **Des. 367,170**

[45] Date of Patent: **\*\*Feb. 20, 1996**

[54] **TOOL CASE FOR BICYCLES**

[76] Inventor: **Hung-Chen Huang**, No. 2, Kwang Fu Rd., Bae Tou Hsiang, Changhwa Hsien, Taiwan

[\*\*] Term: **14 Years**

[21] Appl. No.: **36,948**

[22] Filed: **Mar. 31, 1995**

[52] U.S. Cl. .... **D3/271; D3/294; D3/905**

[58] Field of Search ..... **D3/294, 271, 905, D3/270; D7/510; D12/410, 411; D9/500, 503, 538, 539; 220/4.24; 206/349, 471, 372, 373; D21/109**

[56] **References Cited**

**U.S. PATENT DOCUMENTS**

D. 255,345	6/1980	Halter .....	D3/905
D. 258,705	3/1981	Wheeler .....	D3/905
D. 280,361	9/1985	Appel et al. ....	D3/271
D. 302,026	7/1989	Tu .....	D3/905
D. 311,644	10/1990	Chapin et al. ....	D3/905
D. 311,994	11/1990	Tsuji .....	D3/905

D. 323,064	1/1992	Tsuji .....	D3/905
D. 337,274	7/1993	Thatcher .....	D7/510
D. 350,672	9/1994	Egger et al. ....	D7/510
4,193,699	3/1980	Haygeman et al. ....	206/373

*Primary Examiner*—Philip S. Hyder  
*Attorney, Agent, or Firm*—Varndell Legal Group

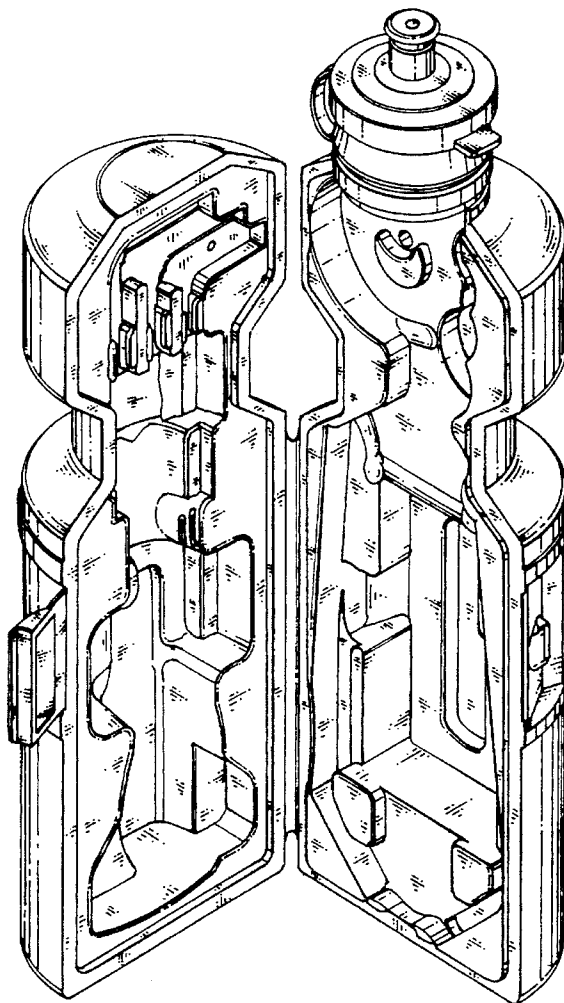
[57] **CLAIM**

The ornamental design for tool case for bicycles, as shown and described.

**DESCRIPTION**

FIG. 1 is a perspective view of a tool case for bicycles showing my new design;  
FIG. 2 is a front elevational view thereof;  
FIG. 3 is a rear elevational view thereof;  
FIG. 4 is a left side elevational view thereof;  
FIG. 5 is a right side elevational view thereof;  
FIG. 6 is a top plan view thereof;  
FIG. 7 is a bottom plan view thereof; and,  
FIG. 8 is a perspective view thereof, shown in an open position.

**1 Claim, 7 Drawing Sheets**



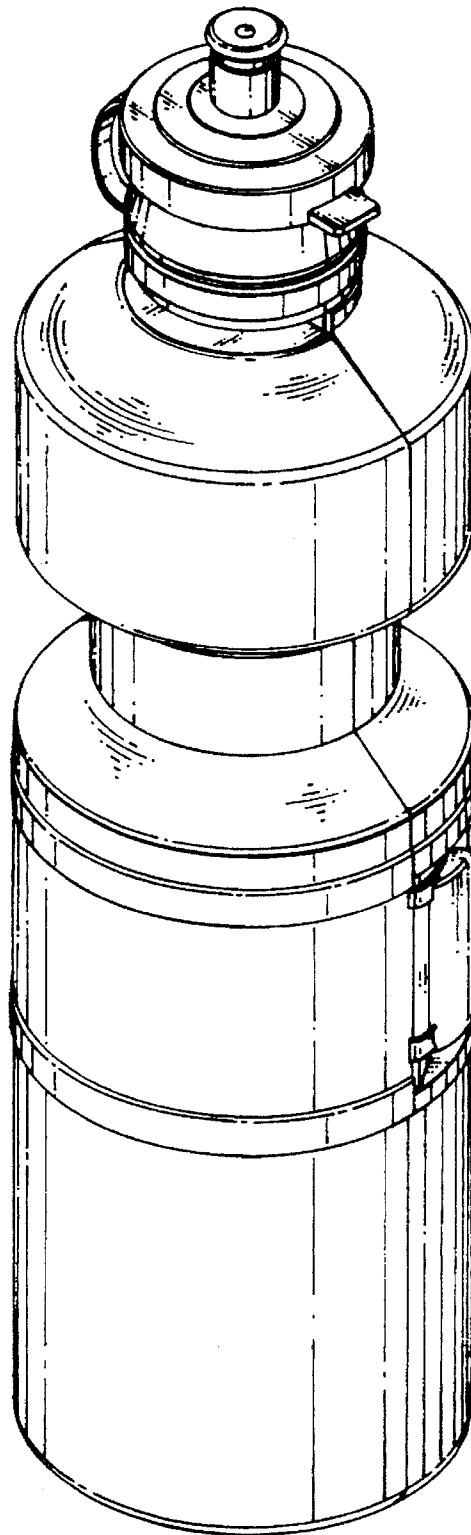


Fig . 1

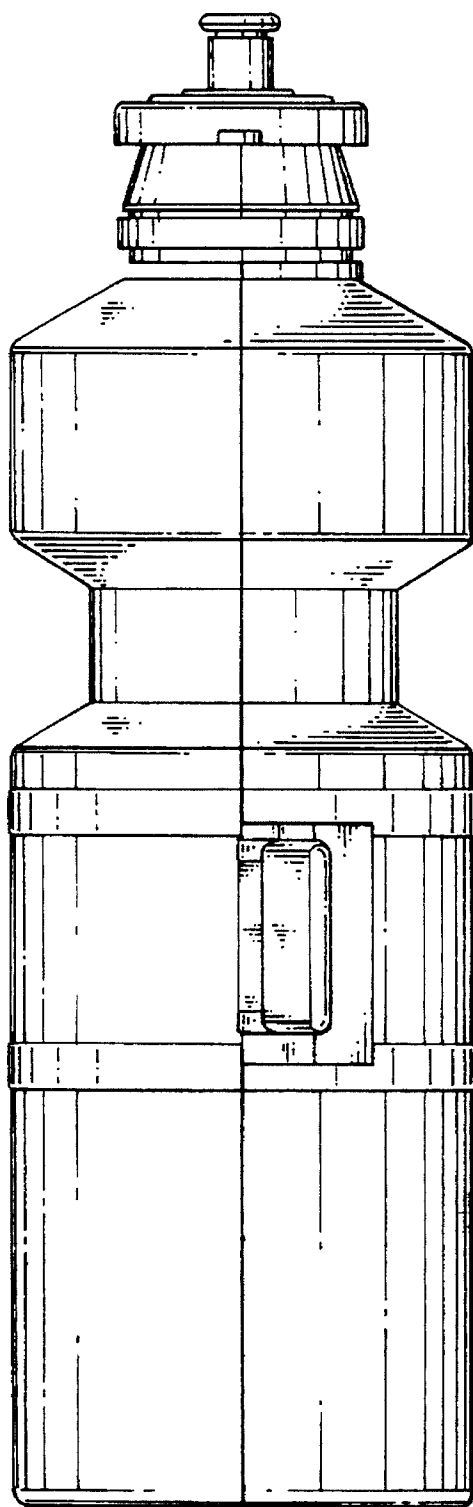


Fig. 2

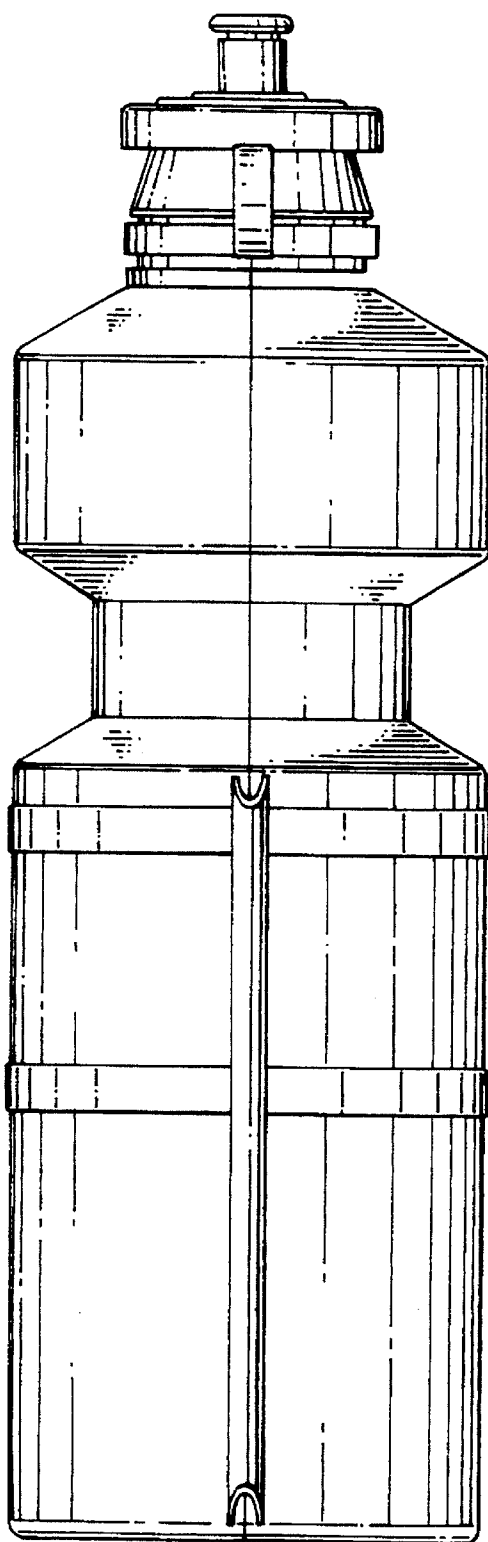


Fig . 3

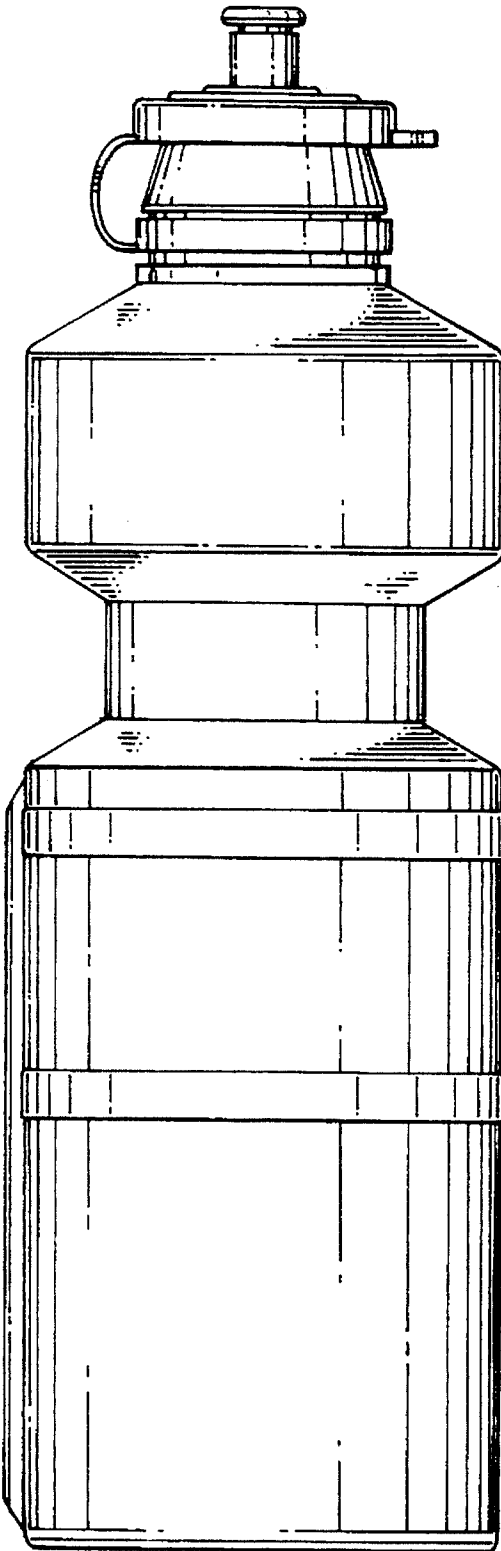


Fig . 4

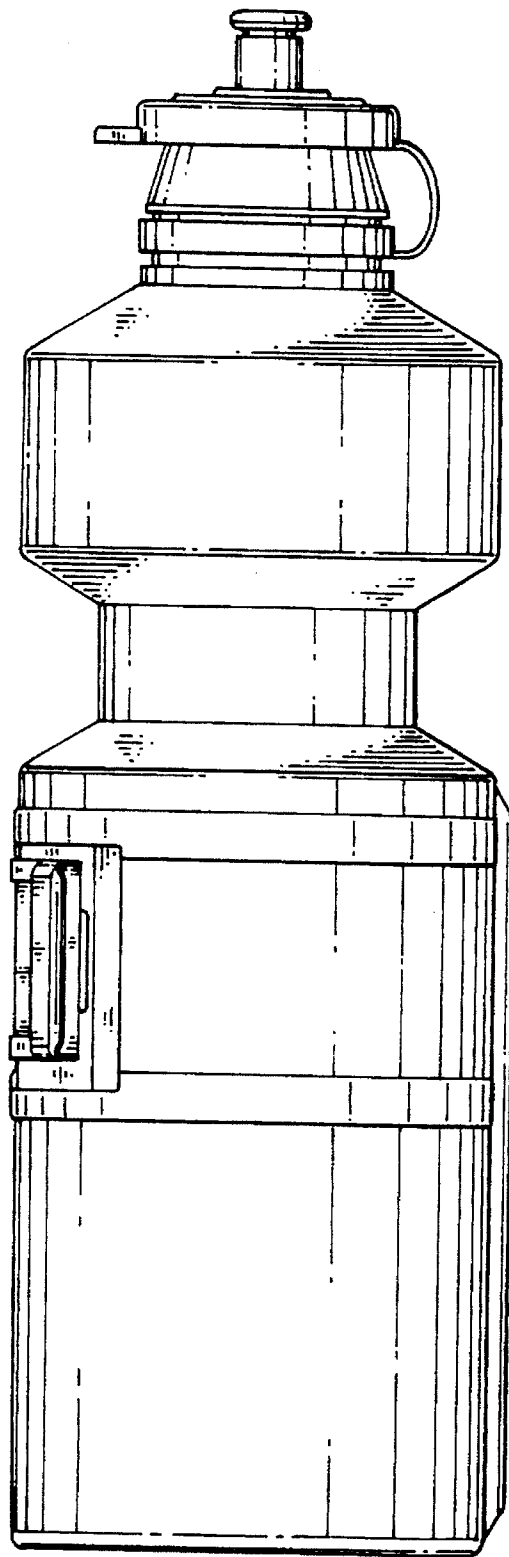


Fig . 5

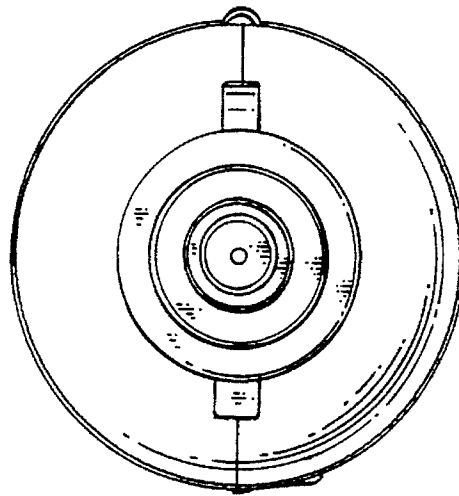


Fig . 6

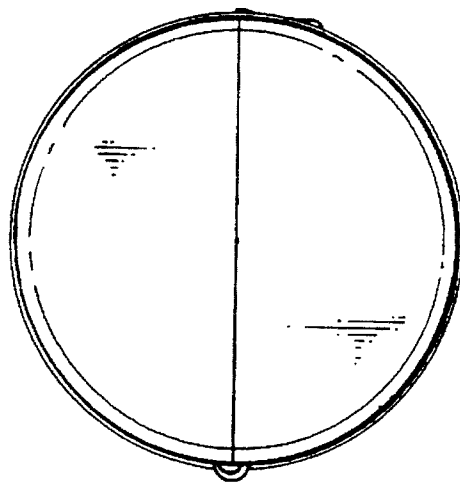


Fig . 7

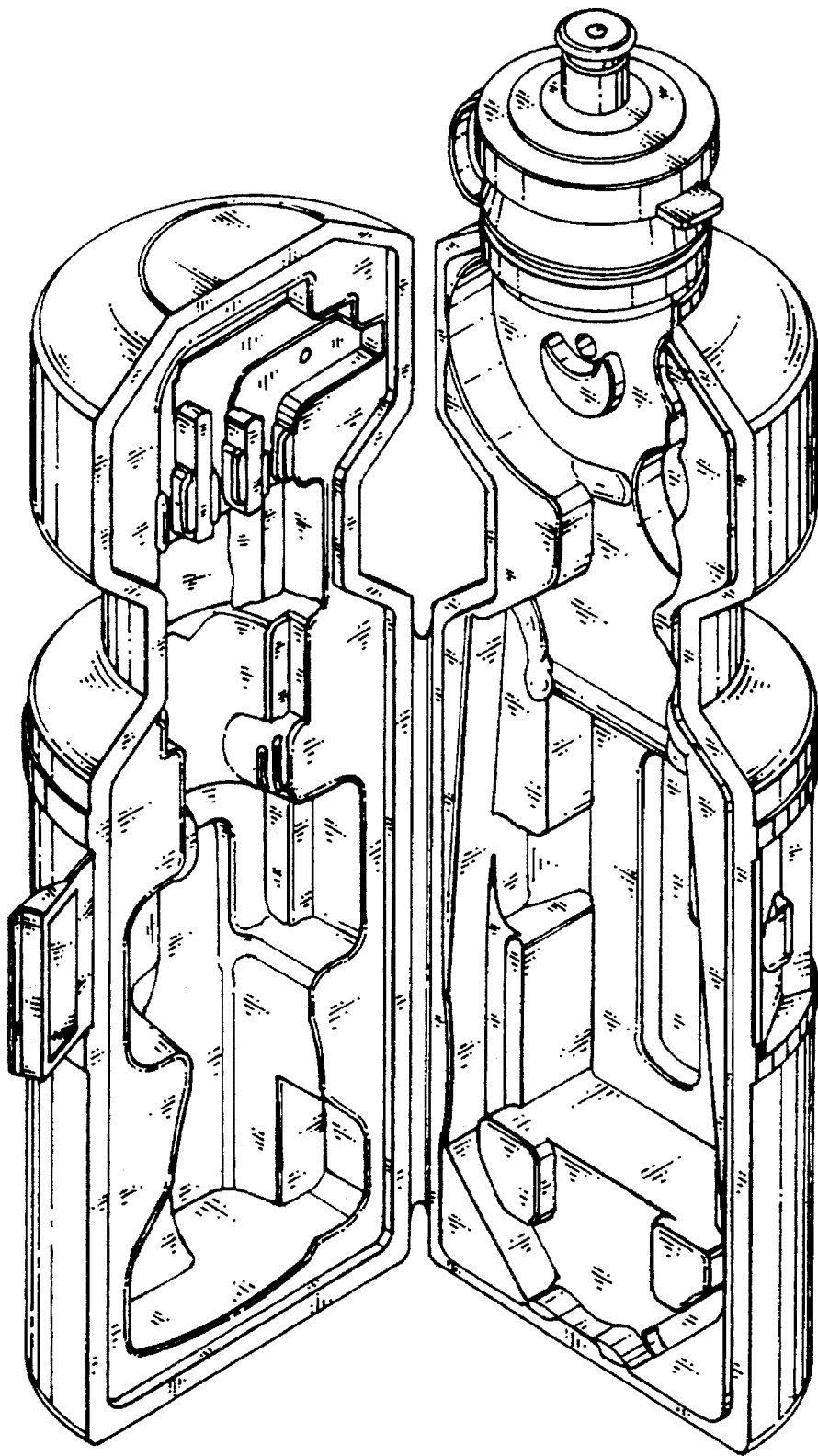


Fig . 8