



HU000025621T2

(19) **HU**(11) Lajstromszám: **E 025 621**(13) **T2****MAGYARORSZÁG**  
Szellemi Tulajdon Nemzeti Hivatala**EURÓPAI SZABADALOM**  
**SZÖVEGÉNEK FORDÍTÁSA**(21) Magyar ügyszám: **E 08 852415**(51) Int. Cl.: **B42D 15/00** (2006.01)(22) A bejelentés napja: **2008. 10. 31.**

(86) A nemzetközi (PCT) bejelentési szám:

(96) Az európai bejelentés bejelentési száma:  
**EP 20080852415****PCT/GB 08/003687**(97) Az európai bejelentés közzétételi adatai:  
**EP 2209652 A1** **2009. 05. 28.**

(87) A nemzetközi közzétételi szám:

**WO 09066048**(97) Az európai szabadalom megadásának meghirdetési adatai:  
**EP 2209652 B1** **2015. 07. 01.**(30) Elsőbbségi adatok:  
**0722687** **2007. 11. 19.** **GB**(73) Jogosult(ak):  
**De La Rue International Limited, Basingstoke,**  
**Hampshire RG22 4BS (GB)**(72) Feltaláló(k):  
**LISTER, Adam, Hampshire SP10 2ND (GB)**  
**COMMANDER, Lawrence, Reading RG31 6RR (GB)**(74) Képviselő:  
**dr. Köteles Zoltán, SBGK Szabadalmi**  
**Ügyvivői Iroda, Budapest**

(54)

**Tökéletesítések a biztonsági eszközökben**

Az európai szabadalom ellen, megadásának az Európai Szabadalmi Közlönyben való meghirdetésétől számított kilenc hónapon belül, felszólalást lehet benyújtani az Európai Szabadalmi Hivatalnál. (Európai Szabadalmi Egyezmény 99. cikk(1))

A fordítást a szabadalmas az 1995. évi XXXIII. törvény 84/H. §-a szerint nyújtotta be. A fordítás tartalmi helyességét a Szellemi Tulajdon Nemzeti Hivatala nem vizsgálta.



(11) **EP 2 209 652 B1**

(12) **EUROPEAN PATENT SPECIFICATION**

(45) Date of publication and mention  
of the grant of the patent:  
**01.07.2015 Bulletin 2015/27**

(21) Application number: **08852415.2**

(22) Date of filing: **31.10.2008**

(51) Int Cl.:  
**B42D 15/00 (2006.01)**

(86) International application number:  
**PCT/GB2008/003687**

(87) International publication number:  
**WO 2009/066048 (28.05.2009 Gazette 2009/22)**

(54) **IMPROVEMENTS IN SECURITY DEVICES**

SICHERHEITSELEMENTE

AMÉLIORATIONS APPORTÉES À DES DISPOSITIFS DE SÉCURITÉ

(84) Designated Contracting States:  
**AT BE BG CH CY CZ DE DK EE ES FI FR GB GR  
HR HU IE IS IT LI LT LU LV MC MT NL NO PL PT  
RO SE SI SK TR**

(30) Priority: **19.11.2007 GB 0722687**

(43) Date of publication of application:  
**28.07.2010 Bulletin 2010/30**

(73) Proprietor: **De La Rue International Limited  
Basingstoke, Hampshire RG22 4BS (GB)**

(72) Inventors:  
• **LISTER, Adam  
Hampshire SP10 2ND (GB)**

• **COMMANDER, Lawrence  
Reading RG31 6RR (GB)**

(74) Representative: **Boult Wade Tennant  
Verulam Gardens  
70 Gray's Inn Road  
London WC1X 8BT (GB)**

(56) References cited:  
**EP-B- 1 047 549 WO-A-2005/052650  
WO-A-2005/105474 WO-A-2006/087138  
US-A- 4 186 943 US-A1- 2003 179 364**

**EP 2 209 652 B1**

Note: Within nine months of the publication of the mention of the grant of the European patent in the European Patent Bulletin, any person may give notice to the European Patent Office of opposition to that patent, in accordance with the Implementing Regulations. Notice of opposition shall not be deemed to have been filed until the opposition fee has been paid. (Art. 99(1) European Patent Convention).

## Description

**[0001]** The present invention relates to improvements in security devices that can be used in varying shapes and sizes for various authenticating or security applications, and in particular to an optically variable security device utilising colourshift materials.

**[0002]** The increasing popularity of colour photocopiers and other imaging systems and the improving technical quality of colour photocopies has led to an increase in the counterfeiting of banknotes, passports and identification cards and the like. There is, therefore, a need to add additional authenticating or security features to existing security features. Steps have already been taken to introduce optically variable features into substrates used in such documentation that cannot be reproduced by a photocopier. There is also a demand to introduce features which are discernible by the naked eye but which are "invisible" to, or viewed differently, by a photocopier. Since a photocopying process typically involves scattering high-energy light off an original document containing the image to be copied, one solution would be to incorporate one or more features into the document which have a different perception in reflected and transmitted light, an example being watermarks and enhancements thereof.

**[0003]** It is known that certain liquid crystal materials exhibit a difference in colour when viewed in transmission and reflection, as well as an angularly dependent coloured reflection. Liquid crystal materials have been incorporated into security documents, identification cards and security elements with a view to creating distinctive optical characteristics. EP-A-0435029 is concerned with a data carrier, such as an identification card, which comprises a liquid crystal polymer layer or film in the data carrier. The liquid crystal polymer is solid at room temperature and is typically held within a laminate structure. The intention is that the liquid crystal layer, which is applied to a black background, will demonstrate a high degree of colour purity in the reflected spectrum for all viewing angles. Automatic testing for verification of authenticity is described using the wavelength and polarization properties of the reflected light in a single combined measurement. This has the disadvantage of being optically complex using a single absolute reflective measurement requiring a uniform liquid crystal area on a black background.

**[0004]** AU-A-488,652 is also concerned with preventing counterfeit copies by introducing a distinctive optically-variable feature into a transparent window security element. This document discloses the use of a liquid crystal "ink" laminated between two layers of plastic sheet. The liquid crystal is coated on a black background so that only the reflected wavelengths of light are seen as a colour. The security feature is primarily provided by thermochromic liquid crystal materials, which have the characteristic of changing colour with variation in temperature.

**[0005]** Liquid crystal materials can be incorporated into

security devices either as a film, as for example in WO-A-03061980, or in the form of an ink as a liquid crystal pigment in an organic binder, as for example in EP-A-1156934. The advantage of a liquid crystal ink is that it can be applied using conventional printing processes and therefore it is relatively straightforward to apply the liquid crystal material in the form of a design. However the colour purity, brightness and sharpness of the observed colour and colourshift are significantly degraded for a pigmented liquid crystal ink compared to a liquid crystal film. This degradation is due to the variability in alignment of the cholesteric helical axis between the individual liquid crystal pigments compared to the uniform alignment of the liquid crystal film.

**[0006]** In the prior art the visual appearance of multi-layer security devices utilising liquid crystal films have been customised by the incorporation of additional layers prior to the device being applied to the substrate. For example, in EP-A-0435029 a security device is customised by applying a black printed image under the liquid crystal layer. In WO-A-03061980 a liquid crystal security thread is customised by the introduction of demetallised characters using a dark resist. WO-A-03061980 discloses a method of manufacturing a security substrate, which combines the use of demetallised indicia with the colourshift effect of liquid crystal materials.

**[0007]** The afore-mentioned prior art documents describe security devices comprising single layer liquid crystal films. The fact that the reflected light from a liquid crystal film is over a narrow band of wavelengths, which is a function of the pitch of its helical structure, limits the range of colours available for the security devices of the prior art cited above to substantially pure spectral colours. In addition the colourshift exhibited by a liquid crystal film is always from a colour with a long wavelength to a colour with a shorter wavelength, for example red to green, as the angle of incidence is increased away from normal incidence.

**[0008]** A method of increasing the range of available colours in liquid crystal films is described in US-B-4893906, in which two or more liquid crystal coatings are overlaid to obtain new colours as a result of the colour additive properties of the liquid crystal coatings which do not absorb light. WO-A-2005105474 describes a security device comprising two superimposed cholesteric liquid crystal layers in which the additive mixing of the colours permits a wider range of colourshift effects. In some of the embodiments in WO-A-200510546 regions exhibiting different colourshifting effects are created by a partial application of one of the liquid crystal layers in localised areas. A partial application of a liquid crystal film is not straightforward and increases significantly the complexity of the production process compared to simply applying one uniform film over a second uniform film.

**[0009]** It is also well known in the prior art to use thin film interference structures, multilayer polymeric structures and photonic crystal structures to generate angularly dependent coloured reflection. Examples of security

devices utilising thin film interference structures are described in US-B-4186943 and US-A-20050029800 and examples of security devices utilising multilayer polymeric structures are described in EP-A-1047549.

**[0010]** The use of prismatic films to generate optical security devices is also well known in the art and examples are described in EP-A-1047960, US-B-5591527, WO-A-03055692 and WO-A-04062938. A further example is described in WO-A-2006095160 which describes a security device having two regions, each comprising a prismatic surface structure defining different arrays of planar facets. Each region forms a reflector such that, on viewing the device at different viewing angles, the device will switch from being totally reflecting in areas of the first array which have a bright metallic appearance, and totally transparent in areas of the second array. If the device is tilted further, the inverse occurs.

**[0011]** Document WO 2006/087 138 A1 discloses a security device according to the preamble of claim 1.

**[0012]** The object of the present invention is to modify the appearance of conventional colourshifting materials, such as liquid crystal materials, by using a light control film, such as a microprismatic film, over the top of the colourshifting material. A further object is to extract more colours from such conventional colourshifting materials.

**[0013]** The invention therefore comprises a security device according to claim 1.

**[0014]** Preferred embodiments of the present invention will now be described, by way of example only, with reference to the accompanying drawings, in which:-

Figure 1 is a cross-sectional side elevation of a security device according to the present invention;

Figure 2 is a cross-sectional side elevation of a simple layer of liquid crystal material showing the typical reflection of light rays;

Figure 3 is an enlarged section of the security device of Figure 1 showing the modified reflection of light rays;

Figure 4 is a cross-sectional side elevation of an alternative embodiment of the invention shown in Figure 1;

Figure 5 is a plan view of a security substrate incorporating the security device of Figure 4;

Figure 6 is a plan view of an alternative security substrate incorporating an alternative security device according to the invention;

Figures 7 to 11 are schematic representations illustrating the effect of using a microprismatic film having linear prisms in different orientations and different formats;

Figures 12 to 17 are cross-sectional side elevations of further alternative security devices according to the invention;

Figures 18a and 18b are plan views of a section of a further alternative security device according to the invention; and

Figure 19 is a cross-sectional side elevation of a still

further alternative security device according to the invention.

**[0015]** The security device 10 according to the invention comprises at least one layer 11 of a colourshifting material 11, over which is applied a light control layer 12, so that the layers 11, 12 are in intimate contact, as shown in Figure 1.

Another layer may be included between layers 11 and 12, such as a layer of primer or adhesive, which preferably has a refractive index similar to that of the light control layer 12.

**[0016]** Although all types of colourshifting materials may be used in the present invention, including inter alia thin film interference structures, multilayer polymeric structures and photonic crystal structures, a particularly suitable material for the colourshifting layer 11 is a liquid crystal film. The invention is also not limited to the use of films and the liquid crystal layer 11, for example, can be provided by a pigmented liquid crystal coating applied to a carrier strip of a suitable polymeric substrate such as Polyethylene Terephthalate (PET) or Biaxially oriented polypropylene (BOPP).

**[0017]** When light strikes the colourshifting layer 11, some of the light is reflected. The wavelength of the reflected light depends on the structure and composition of the colourshift material and the reflected light will appear coloured. The wavelength of the reflected light is also dependent on the angle of incidence, which results in a colour change perceived by the viewer as the colourshift layer is tilted.

**[0018]** The light control layer 12 preferably has a microprismatic structure, which allows light rays which would normally be internally reflected in the liquid crystal layer 11, as shown in Figure 2, to appear at acute angles of incidence (Figure 3). For example, when the light control film 12 is applied to a red(R) to green(G) colourshifting liquid crystal layer 11, the liquid crystal layer 11 exhibits a red to green colourshift when viewed in reflection as the security device 10 is tilted away from the normal. When the security device 10 is tilted further still away from the normal, the liquid crystal layer 11 then exhibits a green to blue (B) colourshift.

**[0019]** The green reflected light will appear at a closer angle to normal incidence than it would without the light control film 12, as illustrated in Figures 2 and 3. This makes it easier for the authenticator to observe the colourshift.

**[0020]** Examples of structures of the light control layer 12 suitable for the present invention include, but are not limited to, a series of parallel linear microprisms with planar facets arranged to form a grooved surface (as shown in Figure 1), a ruled array of tetrahedra, an array of square pyramids (as shown in Figure 10), an array of corner-cube structures, an array of hexagonal-faced corner-cubes and a saw-tooth microprismatic array (as shown in Figure 12).

**[0021]** The angles at which the colourshifts appear are

dependant upon both the angle which the microprismatic facets 17 make with the underlying colourshifting layer 11 and the refractive index of the material used to form the microprisms 18. The effect has been tested on arrays of parallel linear microprisms 18, in which the facets 17 makes an angle of approximately 45° with the surface of layer 11 and the angle between adjacent facets 17 is approximately 90°. Arrays with various pitch lengths (8, 16, 25 and 32 μm) have been assessed and there appears to be no significant difference in the effect seen in terms of colours reflected and the angle at which they appear. The pitch of the microprism array is preferably in the range 1-100 microns, and more preferably 5-40 microns, and the height of the microprisms is preferably in the range 1-100 microns, and more preferably 5-40 microns.

**[0022]** To further improve the security and aesthetics of the security device 10, the light control layer 12 can be partially applied in a registered pattern, as shown in Figure 4, having regions 13 containing no light control layer 12. For a liquid crystal layer 11 exhibiting a red to green colourshift where the light control layer 12 is present, the colour will shift from red to green and then to blue as the device 10 is tilted away from the normal as shown in Regions Y in Figures 5 and 6. In the other regions 13 which do not contain the light control film the colourshift will just be from red to green as for the conventional liquid crystal layer 11, as shown by Regions X in Figures 5 and 6. This enables the device 10 to reveal a latent image or pattern on tilting. Initially the device 10 will appear uniformly red when viewed at normal incidence, but on tilting to an acute angle regions of blue (Regions Y) and green (Regions X) will appear defined by the position of the light control layer 12.

**[0023]** For a security device 11 of the present invention containing a one-dimensional microprismatic structure, such as an array of linear microprisms 18, the observed effect depends on the angle of rotation of the device 10 in its plane, i.e. the observed optical effect is anisotropic. The blue reflected colour is seen most readily when the device 10 is tilted with the viewing direction perpendicular to the long axes of the linear microprisms 18. If the device 10 is tilted with the viewing direction parallel to the long axes of the linear microprisms 18 the effect is seen to a lesser degree.

**[0024]** In a further embodiment the security device 10 comprises linear microprisms 18 in different orientations, as shown in Figure 7 and 8, where the arrays are in two orthogonal orientations. Figure 7 shows two linear microprism arrays 19, 20 in which their long axes are oriented at 90° to each other. This provides a security device 10 with two distinguishable regions, Region A and Region B. Taking as an example a liquid crystal layer 11 exhibiting a red to green colourshift, when the security device 10 is viewed from point I at an acute angle (see Figure 8). Region A appears blue and Region B appears green. If the device 10 is oriented so that it is viewed from point II, the colours switch and Region A appears green whilst

Region B appears blue.

**[0025]** The security device 10 of the present invention can be viewed in reflection or transmission. If the device 10 is intended to be viewed in reflection, it is preferable to have an additional dark light-absorbing layer present under the colourshifting layer 11, especially when liquid crystal materials are used.

**[0026]** Whilst the use of a black, or very dark, substantially totally absorbing layer may give rise to the most strong colourshift effects, other effects may be generated by the use of an absorbing layer of other colours or a combination of colours, giving rise to differing apparent colourshift colours. The absorbing layers of the present invention may comprise a pigmented ink or coating or alternatively a non-pigmented absorbing dye can be used.

**[0027]** In one embodiment of the present invention, liquid crystal materials are selected for the colourshifting layer 11 such that at certain angles of view the reflected light is in the non-visible wavelengths of the electromagnetic spectrum. The use of polymer liquid crystals, where only one component of the colourshift is in the visible region of the electromagnetic spectrum, enables an image to be incorporated into the device 10 that only becomes apparent at certain angles of view. In this embodiment the liquid crystal material reflects infra-red light on axis and red at an acute angle. The use of a light control film 12 enables the liquid crystal layer 11 to exhibit visible colours that would not normally be seen.

**[0028]** Using a light control film 12 comprising multiple arrays (19-23) of linear microprisms 18 where the long axes of each array is oriented at slightly different angles to each other (as shown in Figure 9) many different colours can be seen as the device 10 is tilted at an angle away from the normal. At normal incidence the device 10 will appear colourless as the liquid crystal layer 11 only reflects infra-red light, or black if the layer 11 is over a dark light-absorbing layer. On tilting and rotating the device 10 different areas will be become coloured and switch to different colours at different viewing angles. The colours seen in the different areas will be dependant on the angle to which the device 10 has been tilted and the orientation of the microprisms 18. This is a particularly memorable effect as the device 10 switches from black or darkly coloured, due to the presence of the dark absorbing layer, to multicoloured on changing the viewing angle. The fact that different areas of the device 10 change colour at different angles provides a kinematic effect viewable across a wide range of angles which is simple to authenticate yet difficult to counterfeit.

**[0029]** To gain more isotropy in the optical properties of the security device 10, a light control film 12 can be selected which has optical properties which are not rotationally dependent. Such light control films 12 may, for example, have two-dimensional microprismatic structures such as square pyramids (as shown in Figure 10) and corner-cubes.

**[0030]** In Figure 11 a light control layer 12 is used which

has a structure which is similar to a microprismatic structure, but instead of microprisms comprises an array of lenticules 24 with a domed surface structure.

**[0031]** In Figures 12 and 13 a light control layer 12 is used which has a saw-tooth type structure which, when viewed from direction I, will give a colour-switch that occurs over a narrow angle tilt. Whereas, when viewed from direction II, the colour change occurs at a relatively large angle of tilt.

**[0032]** A similar effect to that achieved in Figures 4 to 6 can also be achieved by indexing out one or more regions of the light control layer 12 (see Figure 14). The light control effect occurs due to a refractive index difference between the material of the light control layer 12 and air. If air is replaced with a resin which has substantially the same refractive index as the light control layer 12, the light rays will not be significantly refracted after being reflected from the surface. Hence the device 10 exhibits the normal optical effect observed with a conventional colourshifting layer 11. However, in the regions which have not been indexed out, the three way colour-shift effect will still be visible. An advantage of this technique for security devices 10 is that the resin used to index out the light control layer 12 can also function as an adhesive. This has a double benefit of an aesthetic pattern and increased durability is observed.

**[0033]** There are a number of ways of manufacturing and applying the light control layer 12 to the colourshifting layer 12. In a first method, an all over UV curable resin coating is applied to the colourshifting layer 11. The colourshifting layer 11 is then held in intimate contact with a production tool in the form of an embossing cylinder, whereby the microprismatic structure defined on the production tool is replicated in the resin. Ultraviolet (UV) light is used at the point of contact to cure and harden the resin. UV casting of microprismatic structures is, for example, described in US-B-3689346. Ideally the production tool is transparent (made from Quartz) and a UV light is positioned inside so that the UV resin is cured immediately after being cast.

**[0034]** Alternatively the prismatic film is formed on a carrier layer using the method described above and then transferred with the carrier layer in a separate process such that the carrier layer is adjacent to the colourshifting layer 11. Alternatively a pigmented colourshifting ink, for example a liquid crystal ink, is applied to the prismatic film.

**[0035]** With reference to the example in Figure 4, the regions 13 containing no light control layer 12 may be formed by applying the UV curable resin over the whole surface and then using a patterned production tool to form the light control layer 12 in localised regions of the resin. In regions 13 there will simply be a planar coating of resin over the colourshifting layer 11, which will have no effect on its colourshifting properties.

**[0036]** In a second method, a light control layer 12 is formed which acts as a re-usable master, such that the expensive formation process only needs to be carried

out once. The method of forming the master can be the method described above, for example. Onto this master is applied an all over coating of a heat sealable water based varnish (e.g. Acronal S 728 from BASF). The varnish has a low adhesion to the master. The master is then heat sealed/foil blocked onto the colourshifting layer 11 and, due to the low adhesion of the varnish to the master, it can be peeled away from the master which remaining adhered to the colourshifting layer 11. The structure of the master is replicated in the varnish, which forms the light control layer 12, and the master is then be available to use again and therefore keeping costs low.

**[0037]** Alternatively the light control layer is formed by coating the colourshifting layer 11 with a thermoplastic embossing lacquer and then using an embossing tool to create the light control structure with the application of heat and pressure.

**[0038]** Figure 15 illustrates how the security device 10 may be combined with demetallised indicia using the method described in WO-A-03061980 for application as a windowed security thread. The method requires a metallised film, comprising a substantially clear polymeric film 26 of PET or the like, which has an opaque layer of metal 27 on a first side thereof. A suitable pre-metallised film is metallised MELINEX S film from DuPont of, preferably, 19 $\mu$ m thickness. The metal layer 27 is printed with a resist 28 which contains a black or dark dye or pigment. Suitable resists include the dye BASE Neozapon X51 or the pigment (well dispersed) "Carbon Black 7" mixed into a material with both good adhesion to metal and caustic resistance. The printed metallised film 26,27,28 is then partially demetallised, according to a known demetallisation process using a caustic wash which removes the metal 27 in the regions not printed with the resist 28. The remaining regions of metal 27, coated with resist 28, provide a partial black layer which is visible when the device 10 is viewed from its first side (along arrow Y) interspersed with clear demetallised regions 29. The shiny metal of the remaining regions of metal 27 are only visible from an opposite side of the device 10(along arrow X).

**[0039]** The resist 28 may be printed in the form of the indicia such as words, numerals, patterns and the like; in which case the resulting indicia will be positively metallised, with the metal 27 still covered by the dark or black resist 28. Alternatively the resist 28 may be printed so as to form indicia negatively, in which case the resulting indicia will be provided by the demetallised regions 29. The indicia, however formed, are clearly visible from both sides, especially in transmitted light, due to the contrast between the regions 29 from which the metal has been removed and the remaining opaque metal regions 27. The colourshifting layer 11 and the light control layer 12 are then applied as described previously.

**[0040]** The security device 10 illustrated in Figure 15 exhibits two visually contrasting security characteristics. The device 10 comprises the colourshift effects, as de-

scribed in the previous embodiments, when the finished security substrate incorporating the security device 10 is viewed in reflection from the first side (along arrow Y); and a metallic shiny partial coating when viewed from the other side (along arrow X). Additionally clear positive or negative indicia, defined by the black resist 28, can be seen in transmission from either side. This embodiment is ) particularly advantageous when used for a device 10 that is viewable from both side of the substrate in which it is incorporated. For example the device 10 could be incorporated into a secure substrate/document using the methods described in EP-A-1141480 or WO-A03054297.

**[0041]** Security devices 10 comprising liquid crystal materials are inherently machine-readable due to the polarisation properties and wavelength selectivity of the liquid crystal materials. The machine readable-aspect of the security device 10 of the present invention can be extended further by the introduction of detectable materials in the existing liquid crystal, or alternate colourshifting materials, or an absorbing layer or by the introduction of separate machine-readable layers. Detectable materials that react to an external stimulus include, but are not limited to, fluorescent, phosphorescent, infrared absorbing, thermochromic, photochromic, magnetic, electrochromic, conductive and piezochromic materials.

**[0042]** In one preferred embodiment incorporating an absorbing layer, a pigment in the absorbing layer is machine readable, for example carbon black, to produce a machine-readable or conducting layer. Alternatively it may be a magnetic material or contain a magnetic pigment, such as magnetite, to produce a machine-readable magnetic layer or code.

**[0043]** In a further embodiment, only part of the absorbing layer may be provided with a magnetic pigment and the remainder is provided with a non-magnetic pigment. If both the magnetic and non-magnetic regions are substantially totally absorbing there will be no visual difference in the liquid crystal layer over the two regions and therefore the format of the code will not be readily apparent.

**[0044]** As a further alternative, security device 10 may incorporate a base layer carrier substrate of a polymeric material, such as Polyethylene Terephthalate (PET) or Bixially Oriented Polypropylene (BOPP). A magnetic material in the form of tramlines may be applied along both longitudinal edges of the carrier substrate. A suitable magnetic material is FX 1021 supplied by Ferron and this may be applied with a coat weight of, for example, 2-6 gsm. A uniform light-absorbing layer is applied over both the polymeric carrier substrate and the magnetic tramlines. The colourshifting and light control layers 11, 12 are then applied to the light-absorbing layer. The use of magnetic tramlines in this example is for illustrative purposes only, and the magnetic material may be applied in any design.

**[0045]** In an alternative machine-readable embodiment, a transparent magnetic layer can be incorporated

at various positions within the structure of the device 10. Suitable transparent magnetic layers containing a distribution of particles of a magnetic material of a size and distributed in a concentration at which the magnetic layer remains transparent are described in WO-A-03091953 and WO-A-03091952.

**[0046]** As a further example, a machine-readable security device 10 may be combined with demetallised indicia. Such a device 10 comprises a metallised PET base substrate, demetallised to form the indicia, including tramlines of metal which are left along each edge of the device 10. The resist used during the demetallisation process is preferably black or dark coloured. A protective layer may be applied onto the metal tramlines to prevent the metal from being corroded by the magnetic layer which is applied next. A suitable protective layer is VHL31534 supplied by Sun Chemical applied with a coat weight of 2gsm. The protective layer may optionally be pigmented. The magnetic material is only applied over the metal tramlines so as not to obscure the demetallised indicia. The colourshift film 11 and the light control film 12 are then applied as described previously.

**[0047]** The security device 10 can be incorporated in security substrates 14 used to make secure documents in any of the conventional formats known in the prior art, for example as patches, foils, stripes, strips or threads. The security device 10 can be arranged either wholly on the surface of the substrate 14, as in the case of a stripe or patch, or can be visible only partly on the surface of the substrate 14 in the form of a windowed security thread. Security threads are now present in many of the world's currencies as well as vouchers, passports, travellers' cheques and other documents. In many cases the thread is provided in a partially embedded or windowed fashion where the thread appears to weave in and out of the paper and is visible in windows 15 in one or both surfaces of the substrate 14. One method for producing paper with so-called windowed threads can be found in EP-A-0059056. EP-A-0860298 and WO-A-03095188 describe different approaches for the embedding of wider partially exposed threads into a paper substrate. Wide threads, typically having a width of 2-6mm, are particularly useful as the additional exposed thread surface area allows for better use of optically variable devices, such as that used in the present invention. Figures 5 and 6 show the security device 10 of the present invention incorporated into a security substrate 14 as a windowed thread with windows 15, in which areas of the device 10 are exposed whilst the remaining areas of the device 10 are embedded under bridges 16 between the windows 15.

**[0048]** In a further embodiment of the invention, the device 10 is incorporated into a substrate 14 such that regions of the device 10 are visible from both sides of the substrate 14. Suitable methods of incorporating a security device 10 in this manner are described in EP-A-1141480 and WO-A-3054297. In the method described in EP-A-1141480 one side of the device is wholly ex-

posed at one surface of the substrate in which it is partially embedded, and partially exposed in windows at the other surface of the substrate.

**[0049]** An advantage of the device 10 of the present invention, which can be viewed from both sides of the substrate, is that different colourshifts will be observed on either side of the device 10. For example when the device 10 of Figure 1 is viewed from the side where the light control layer 12 is outermost, a red to green to blue colourshift is observed on tilting away from normal incidence. However when viewed from the opposite side, where the colourshifting layer 11 is outermost, a red to green colourshift is observed on tilting away from normal incidence.

**[0050]** In the case of a stripe or patch, the security device 10 is prefabricated on a carrier strip and transferred to the substrate 14 in a subsequent working step. The security device 10 can be applied to the substrate 14 using an adhesive layer, which is applied either to the security device 10 or the surface of the substrate 14. After transfer, the carrier strip is removed leaving the security device 10 exposed. Alternatively the carrier strip can be left in place to provide an outer protective layer.

**[0051]** The security device 10 may be used in combination with other existing approaches for the manufacture of secure substrates and documents. Examples of suitable methods and constructions that can be used include, but are not limited to, those described in WO-A-03061980, EP-A-516790, WO-A-9825236, and WO-A-9928852.

**[0052]** Following the application/incorporation of the security device 10, security substrates 14 generally undergo further standard security printing processes including one or more of the following; wet or dry lithographic printing, intaglio printing, letterpress printing, flexographic printing, screen-printing, and/or gravure printing. In a preferred embodiment, and to increase the effectiveness of the security device 10 against counterfeiting, the design of the security device 10 can be linked to the finished secure document it is protecting by content and registration to the designs and identifying information provided on the document.

**[0053]** An adhesive layer may be applied to the outer surfaces of the device 10 to improve adherence to the security substrate 14. If the adhesive layer is applied to the surface of the device 10 comprising the light control layer 12, then there must be a refractive index difference between the adhesive layer and the light control layer 12. Applying an adhesive layer, or a protective polymeric layer, onto the light control layer 12 is advantageous in that it prevent soil accumulating in the troughs of the light control film 12.

**[0054]** In an alternative embodiment of the present invention multiple colourshifting layers exhibiting different colourshifting properties may be used either adjacent to each other within the same layer of the device, or as a multilayer structure. These are preferably layers of liquid crystal materials, although the colourshifting materials

and structures can be used.

**[0055]** In the example shown in Figure 16 the security device 10 comprises a first layer 11a of an optically variable liquid crystal material and a second layer 11b of an optically variable liquid crystal material, which exhibits different reflective characteristics to the first layer 11a. A partial absorbing layer 30 is applied between the first and second liquid crystal layers 11a and 11b. A light control layer 12, comprising a series of parallel linear microprisms, is applied to the second liquid crystal layer 11b. The light control layer 12 may be a partial layer, as described in reference to Figure 4, or a full layer. If the device 10 is intended to be viewed in reflection, it is preferable to have an additional dark absorbing layer 31 present under the first liquid crystal layer 11a.

**[0056]** The application of a partial absorbing layer 30 between the two liquid crystal layers 11a, 11b creates two optically variable regions, Regions A and B. In Region A there is no absorbing layer 30 between the two liquid crystal layers 11a, 11b such that the wavelength of reflected light, at any given angle of incidence, is a result of the additive mixing of the individual wavelengths of light reflected from the two liquid crystal layers 11a, 11b. In Region B there is an absorbing layer 30 between the two liquid crystal layers and the wavelength of reflected light, at any given angle of incidence, is solely the reflected light from the second liquid crystal layer 11b.

**[0057]** The absorbing layer 31 which lies under the first liquid crystal film layer 11a may be applied in the form of a design, creating a further optically variable Region C, as shown in Figure 17. In Region C there is no absorbing layer under either of the liquid crystal layers 11a, 11b and when the device 10 is positioned on a reflective background, the intensity of the transmitted colour reflected back through the liquid crystal layers 11a, 11b saturates the reflective colour. The transmitted and reflected colours are complementary, for example, a red to green colourshift in reflection is seen as a cyan to magenta colourshift in transmission. When the security device 10 is applied to a predominantly white substrate, then the light transmitted through Region C gives the underlying substrate a noticeable tint of colour which is the complementary colour to the observed reflected colour in Region A.

**[0058]** In one example, illustrated in Figures 18a and 18b, and referring to the cross-section in Figure 16, the first liquid crystal layer 11a reflects light in the infrared region of the electromagnetic spectrum when at normal incidence (Figure 18a), appearing colourless and transparent, and reflects red light when tilted away from normal incidence (Figure 18b). The second liquid crystal layer 11b exhibits a red-green colourshift when viewed against a dark absorbing background. Regions A and B are defined by the partial dark absorbing layer 30 between the two liquid crystal layers 11a, 11b which, in this example, is applied in the form of alphanumeric characters such that Region B is a repeating pattern of the words DE LA RUE and Region A is the background. When viewed in

reflection and at normal incidence both Regions A and B will appear red due to the transparent colourless appearance of the first liquid crystal layer 11a having no visible effect on the appearance of the device 10. On tilting the device 10, such that it is viewed away from normal incidence, Region A appears yellow, due to the additive colour mixing from the red reflected light from the first liquid crystal layer and the green reflected light from the second liquid crystal layer 11b, and Region B appears green due to the reflected light coming solely from the second liquid crystal layer 11b. To the authenticator the device 10 appears uniformly red at normal incidence, but on tilting away from normal incidence the repeating legend DE LA RUE appears in a yellow colour against a green background.

**[0059]** The presence of the light control film 12 in the security device 10 of Figures 18a and 18b means that the observed colourshifts for the two liquid crystal layers 11a, 11b occurs at a closer angle to normal incidence than it would without the light control film 12. Therefore the appearance of the hidden image, in this case the repeating legend DE LA RUE, occurs at a viewing angle closer to normal incidence making it significantly easier for the authenticator to observe the image and therefore verify the device 10.

**[0060]** A further advantage of the light control film 12 is that as the device 10 is tilted away from normal incidence wavelengths of light, that are otherwise internally reflected within the liquid crystal layers 11a, 11b, start to contribute to the overall colour of the feature. For example the first liquid crystal layer 11a reflects light in the infrared region of the electromagnetic spectrum when at normal incidence (Figure 18a), appearing colourless and transparent, and reflects red light when tilted away from normal incidence (Figure 18b). However due to the presence of the light control film 12 on tilting further away from normal incidence the first liquid crystal layer 11a is seen to reflect light in the green region of the electromagnetic spectrum. The second liquid crystal layer 11b exhibits a red-green colourshift on tilting away from normal incidence, however due to the presence of the light control film 12 on tilting further away from normal incidence the second liquid crystal layer 11b is seen to reflect light in the blue region of the electromagnetic spectrum. For the example shown in Figures 18a and 18b, a red to green colourshift is observed in Region B on tilting the device a small distance away from normal incidence and a red to yellow colourshift is observed in Region A revealing a hidden yellow image on a green background as described. On further tilting a further colourshift from green to blue is observed in Region B and a further colourshift from yellow to cyan is observed in Region A due to the additive colourmixing of the green and blue colours from the first and second liquid crystal layers 11a, 11b. In this manner the hidden image will be revealed on tilting as a yellow image against a green background and then on further tilting change to a cyan image on a blue background. This further colourshift provides an additional challenge for the

counterfeiter in replicating the security feature.

**[0061]** In a further embodiment to that illustrated in Figure 16 one or both of the liquid crystal layers 11a, 11b is a partial layer. This can be achieved by gravure printing the liquid crystal material onto the carrier substrate 26 or onto the first liquid crystal layer 11a using a printable polymerisable liquid crystal material as described in US-A-20040155221. For example if the second liquid crystal layer 11b is a partial layer, such that in certain regions the first liquid crystal layer 11a is exposed, then a further optically variable region can be created in which the wavelength of reflected light, at any given angle of incidence, is solely the reflected light from the first liquid crystal layer 11a.

**[0062]** An alternative method of forming a partial second liquid crystal layer 11b is to remove regions of the exposed second liquid crystal layer 11b once the multi-layer device 10 has been formed. This can be achieved by creating a weak interface between the partial absorbing layer 30 and the first liquid crystal layer 11a. If a mechanical force is applied such that the second liquid crystal layer 11b is pulled away from the first liquid crystal layer 11a it will be removed along with the absorbing layer 30 only in the regions where this weak interface exists.

**[0063]** Figure 19 shows an embodiment comprising a partial first liquid crystal layer 11a. A first liquid crystal layer 11a, with the same angular dependent reflection characteristics as liquid crystal layer 11 in Figure 16, is printed (directly or indirectly) onto a polymeric carrier substrate 26 in the form of a design for example alphanumeric characters such that Region B is a repeating pattern of the words DE LA RUE and Region A is the background. A second liquid crystal layer 11b, with the same angular dependent reflection characteristics as the second liquid crystal layer 11b, in Figure 16, is then applied as a full layer overlapping the polymeric carrier 16 and the first liquid crystal layer 11a. A light control layer 12, comprising a series of parallel linear microprisms, is applied to the second liquid crystal layer 11a. If the device 10 is intended to be viewed in reflection, then it is preferable to have an additional dark absorbing layer 31 present under the first liquid crystal layer 11a.

**[0064]** In Region A the wavelength of reflected light, at any given angle of incidence, is a result of the additive mixing of the individual wavelengths of light reflected from the two liquid crystal layers 11a, 11b. In Region B the first liquid crystal layer 11a has been omitted and the wavelength of reflected light, at any given angle of incidence, is solely the reflected light from the second liquid crystal layer 11b. The optical effect of the security device 10 in Figure 19 is therefore the same as that observed for the device 10 in Figure 16 but has been produced in a different manner.

**[0065]** In the examples shown in and described with reference to Figures 16-19 other light control layers and colourshifting materials may be used such as are described in the earlier examples.

**Claims**

1. A security device (10) comprising a layer (11) of colourshifting material and, at least partially applied over a first surface of the colourshifting layer, a light control layer (12) having a surface structure which modifies the angle of light reflected by the security device, **characterized in that** the colourshifting material being selected such that, when the security device is seen at certain angles of view, the light reflected by the colourshifting material is in the non-visible region of the electromagnetic spectrum and when the security device is seen at at least one other angle the reflected light is in the visible spectrum.
2. A security device (10) as claimed in claim 1 in which the colourshifting layer(s) (11a,11b) comprise(s) a thin film interference structure, or a multilayer polymeric structure, or a photonic crystal structure, or a liquid crystal layer.
3. A security device (10) as claimed in claim 2 in which the liquid crystal layer(s) (11a,11b) comprise(s) a coating of pigmented liquid crystal material on a polymeric carrier layer (26) or a liquid crystal film.
4. A security device (10) as claimed in any one of the preceding claims in which the light control layer (12) is a microprismatic film.
5. A security device (10) as claimed in claim 4 in which the microprismatic film has a one dimensional microprismatic structure.
6. A security device (10) as claimed in claim 4 in which the microprismatic film has a two dimensional microprismatic structure.
7. A security device (10) as claimed in any one of claims 1 to 3 in which the light control layer (12) comprises an array of lenticles with a domed surface structure.
8. A security device (10) as claimed in any one of the preceding claims in which at least one region of the light control layer (12) is indexed out using a material having substantially the same refractive index as the light control layer (12).
9. A security device (10) as claimed in any one of the preceding claims in which the light control layer (12) is a partial layer having at least one blank area in which no light control layer (12) is present.
10. A security device (10) as claimed in claim 8 or claim 12 in which the indexed out and/or the at least one blank area define indicia.
11. A security device (10) as claimed in any one of the preceding claims further comprising a further layer (31) of a light absorbing material applied to a surface of the, or one of the, colourshifting layer(s) (11,11a) on an opposite side to the light control film (12).
12. A security device (10) as claimed in any one of the preceding claims in which the colourshifting layer(s) (11a,11b) is(are) supported by a polymeric carrier layer 26.
13. A security device (10) as claimed in any one of the preceding claims further comprising metallised or demetallised indicia defined by metal regions (27) applied to either side of the polymeric carrier layer (26).
14. A security device (10) as claimed in any one of the preceding claims further comprising a machine readable element.
15. A security device (10) as claimed in claim 14 in which the machine readable element comprises a fluorescent, phosphorescent, infra-red absorbing, thermochromic, photochromic, magnetic, electrochromic, conductive or piezochromic material.
16. A security device (10) as claimed in any one of the preceding claims in which one or both of the colourshifting layer(s)(11a,11b) is a partial layer.
17. A secure substrate comprising a base substrate and security device as claimed in any one of the preceding claims.
18. A secure substrate as claimed in claim 17 in which the security device is applied to a surface of the base substrate.
19. A secure substrate as claimed in claim 15 in which the security device is at least partially embedded in the base substrate and visible in windows in at least one surface of the base substrate.
20. A security document formed from the secure substrate as claimed in any one of claims 17 to 19 comprising a voucher, passport, banknote, cheque, certificate or other document of value.

**Patentansprüche**

1. Sicherheitsvorrichtung (10), umfassend eine Schicht (11) eines Farbverschiebungs-Materials und, wenigstens teilweise über einer ersten Oberfläche der Farbverschiebungs-Schicht aufgebracht, eine Lichtsteuer-/regelschicht (12), welche eine Oberflächenstruktur aufweist, welche den Winkel von durch die Sicherheitsvorrichtung reflektiertem Licht

- modifiziert, **dadurch gekennzeichnet, dass** das Farbverschiebungs-Material derart ausgewählt ist, dass, wenn die Sicherheitsvorrichtung unter bestimmten Blickwinkeln betrachtet wird, das von dem Farbverschiebungs-Material reflektierte Licht im nicht sichtbaren Bereich des elektromagnetischen Spektrums liegt, und wenn die Sicherheitsvorrichtung unter wenigstens einem anderen Winkel betrachtet wird, das reflektierte Licht im sichtbaren Spektrum liegt.
2. Sicherheitsvorrichtung (10) nach Anspruch 1, in welcher die Farbverschiebungs-Schicht(en) (11a, 11 b) eine Dünnschicht-Interferenzstruktur umfasst bzw. umfassen, oder eine Mehrschicht-Polymerstruktur oder eine Photonische-Kristall-Struktur oder eine Flüssigkristall-Struktur.
  3. Sicherheitsvorrichtung (10) nach Anspruch 2, in welcher die Flüssigkristall-Schicht(en) (11a, 11 b) eine Beschichtung aus pigmentiertem Flüssigkristall-Material an einer Polymer-Trägerschicht (26) oder einem Flüssigkristall-Film umfasst bzw. umfassen.
  4. Sicherheitsvorrichtung (10) nach einem der vorhergehenden Ansprüche, in welcher die Lichtsteuer-/regelschicht (12) ein mikroprismatischer Film ist.
  5. Sicherheitsvorrichtung (10) nach Anspruch 4, in welcher der mikroprismatische Film eine eindimensionale mikroprismatische Struktur aufweist.
  6. Sicherheitsvorrichtung (10) nach Anspruch 4, in welcher der mikroprismatische Film eine zweidimensionale mikroprismatische Struktur aufweist.
  7. Sicherheitsvorrichtung (10) nach einem der Ansprüche 1 bis 3, in welcher die Lichtsteuer-/regelschicht (12) ein Feld von Lentikeln mit einer gewölbten Oberflächenstruktur umfasst.
  8. Sicherheitsvorrichtung (10) nach einem der vorhergehenden Ansprüche, in welcher wenigstens eine Region der Lichtsteuer-/regelschicht (12) unter Verwendung eines Materials mit im Wesentlichen dem selben Brechungsindex wie die Lichtsteuer-/regelschicht (12) indiziert ist.
  9. Sicherheitsvorrichtung (10) nach einem der vorhergehenden Ansprüche, in welcher die Lichtsteuer-/regelschicht (12) eine teilweise Schicht ist, welche wenigstens einen freien Bereich aufweist, in welchem keine Lichtsteuer-/regelschicht (12) vorliegt.
  10. Sicherheitsvorrichtung (10) nach Anspruch 8 oder Anspruch 12, in welcher der indizierte oder/und der wenigstens eine freie Bereich Indizes definieren.
  11. Sicherheitsvorrichtung (10) nach einem der vorhergehenden Ansprüche, ferner umfassend eine weitere Schicht (31) eines lichtabsorbierenden Materials, welches auf eine Oberfläche der oder einer der Farbverschiebungs-Schicht(en) (11, 11a) an einer gegenüberliegenden Seite des Lichtsteuer-/regelfilms (12) aufgebracht ist.
  12. Sicherheitsvorrichtung (10) nach einem der vorhergehenden Ansprüche, in welcher die Farbverschiebungs-Schicht(en) (11a, 11 b) von einer Polymer-Trägerschicht getragen ist bzw. sind.
  13. Sicherheitsvorrichtung (10) nach einem der vorhergehenden Ansprüche, ferner umfassend metallisierte oder de-metallisierte Indizes, welche von Metallregionen (27) definiert sind, welche auf jeder Seite der Polymer-Trägerschicht (26) aufgebracht sind.
  14. Sicherheitsvorrichtung (10) nach einem der vorhergehenden Ansprüche, ferner umfassend ein maschinenlesbares Element.
  15. Sicherheitsvorrichtung (10) nach Anspruch 14, in welchem das maschinenlesbare Element ein fluoreszentes, phosphoreszentes, infrarot-absorbierendes, thermochromatisches, photochromatisches, magnetisches, elektrochromatisches, leitfähiges oder piezochromatisches Material umfasst.
  16. Sicherheitsvorrichtung (10) nach einem der vorhergehenden Ansprüche, in welcher eine oder beide der Farbverschiebungs-Schicht(en) (11 a, 11 b) eine Teil-Schicht ist.
  17. Sicherheitssubstrat, umfassend ein Basissubstrat und eine Sicherheitsvorrichtung nach einem der vorhergehenden Ansprüche.
  18. Sicherheitssubstrat nach Anspruch 17, in welchem die Sicherheitsvorrichtung auf eine Oberfläche des Basissubstrats aufgebracht ist.
  19. Sicherheitssubstrat nach Anspruch 15, in welchem die Sicherheitsvorrichtung wenigstens teilweise in das Basissubstrat eingebettet ist und in Fenstern in wenigstens einer Oberfläche des Basissubstrats sichtbar ist.
  20. Sicherheitsdokument, welches aus dem Sicherheitssubstrat nach einem der Ansprüche 17 bis 19 gebildet ist, umfassend einen Beleg, einen Pass, eine Banknote, einen Scheck, ein Zertifikat oder ein anderes wertvolles Dokument.

## Revendications

1. Dispositif de sécurité (10) comprenant une couche (11) de matériau de distorsion chromatique et, au moins partiellement appliquée sur une première surface de la couche de distorsion chromatique, une couche de commande de lumière (12) ayant une structure de surface qui modifie l'angle de la lumière réfléchi par le dispositif de sécurité, **caractérisé en ce que** le matériau de distorsion chromatique étant choisi de sorte que, lorsque le dispositif de sécurité est vu à certains angles de vue, la lumière réfléchi par le matériau de distorsion chromatique soit dans la région non visible du spectre électromagnétique et, lorsque le dispositif de sécurité est vu à au moins un autre angle, la lumière réfléchi soit dans le spectre visible.
2. Dispositif de sécurité (10) tel que revendiqué dans la revendication 1, dans lequel la(les) couche(s) de distorsion chromatique (11a, 11b) comprend(comprennent) une structure d'interférence à film mince, ou une structure polymère multicouche, ou une structure cristalline photonique, ou une couche de cristaux liquides.
3. Dispositif de sécurité (10) tel que revendiqué dans la revendication 2, dans lequel la(les) couche(s) de cristaux liquides (11a, 11b) comprend(comprennent) un revêtement de matériau de cristaux liquides pigmenté sur une couche de support polymère (26) ou un film de cristaux liquides.
4. Dispositif de sécurité (10) tel que revendiqué dans l'une quelconque des revendications précédentes, dans lequel la couche de commande de lumière (12) est un film microprismatique.
5. Dispositif de sécurité (10) tel que revendiqué dans la revendication 4, dans lequel le film microprismatique a une structure microprismatique unidimensionnelle.
6. Dispositif de sécurité (10) tel que revendiqué dans la revendication 4, dans lequel le film microprismatique a une structure microprismatique bidimensionnelle.
7. Dispositif de sécurité (10) tel que revendiqué dans l'une quelconque des revendications 1 à 3, dans lequel la couche de commande de lumière (12) comprend un réseau de lentilles ayant une structure de surface en forme de dôme.
8. Dispositif de sécurité (10) tel que revendiqué dans l'une quelconque des revendications précédentes, dans lequel au moins une région de la couche de commande de lumière (12) est indexée en utilisant un matériau ayant substantiellement le même indice de réfraction que la couche de commande de lumière (12).
9. Dispositif de sécurité (10) tel que revendiqué dans l'une quelconque des revendications précédentes, dans lequel la couche de commande de lumière (12) est une couche partielle ayant au moins une zone vide dans laquelle aucune couche de commande de lumière (12) n'est présente.
10. Dispositif de sécurité (10) tel que revendiqué dans la revendication 8 ou 12, dans lequel la région indexée et/ou l'au moins une zone vide définit(définissent) des indices.
11. Dispositif de sécurité (10) tel que revendiqué dans l'une quelconque des revendications précédentes, comprenant en outre une couche supplémentaire (31) d'un matériau absorbant la lumière appliqué à une surface de la ou des couche(s) de distorsion chromatique (11, 11a) ou de l'une parmi celles-ci sur un côté opposé au film de commande de lumière (12).
12. Dispositif de sécurité (10) tel que revendiqué dans l'une quelconque des revendications précédentes, dans lequel la(les) couche(s) de distorsion chromatique (11a, 11b) est(sont) supportée(s) par une couche de support polymère (26).
13. Dispositif de sécurité (10) tel que revendiqué dans l'une quelconque des revendications précédentes, comprenant en outre des indices métallisés ou dé-métallisés définis par des régions métalliques (27) appliquées de part et d'autre de la couche de support polymère (26).
14. Dispositif de sécurité (10) tel que revendiqué dans l'une quelconque des revendications précédentes, comprenant en outre un élément lisible par machine.
15. Dispositif de sécurité (10) tel que revendiqué dans la revendication 14, dans lequel l'élément lisible par machine comprend un matériau fluorescent, phosphorescent, absorbant les infrarouges, thermochromique, photochromique, magnétique, électrochromique, conducteur ou piézochromique.
16. Dispositif de sécurité (10) tel que revendiqué dans l'une quelconque des revendications précédentes, dans lequel l'une ou les deux couche(s) de distorsion chromatique (11a, 11b) est(sont) une couche partielle.
17. Substrat sécurisé comprenant un substrat de base et un dispositif de sécurité tel que revendiqué dans l'une quelconque des revendications précédentes.

18. Substrat sécurisé tel que revendiqué dans la revendication 17, dans lequel le dispositif de sécurité est appliqué à une surface du substrat de base.
19. Substrat sécurisé tel que revendiqué dans la revendication 15, dans lequel le dispositif de sécurité est au moins partiellement intégré dans le substrat de base et visible dans des fenêtres dans au moins une surface du substrat de base.
20. Document de sécurité formé à partir du substrat sécurisé tel que revendiqué dans l'une quelconque des revendications 17 à 19, comprenant un bon d'échange, un passeport, un billet de banque, un chèque, un certificat ou autre document de valeur.

5

10

15

20

25

30

35

40

45

50

55

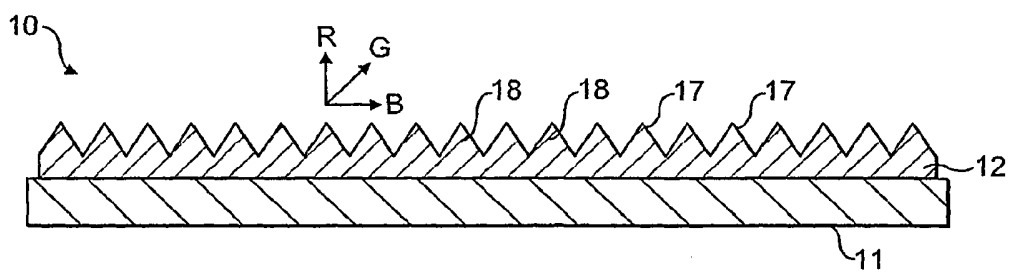


FIG. 1

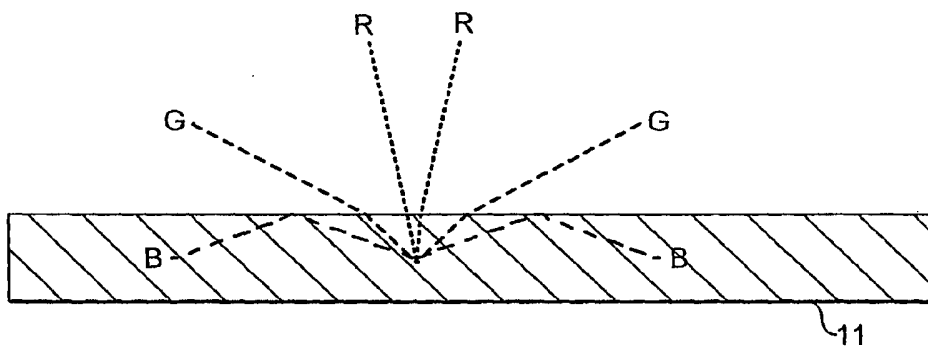


FIG. 2

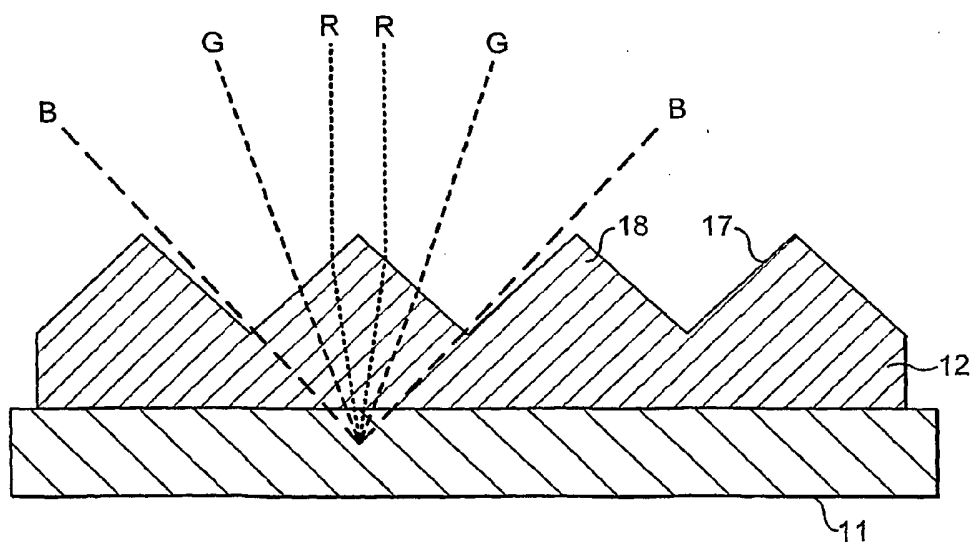


FIG. 3

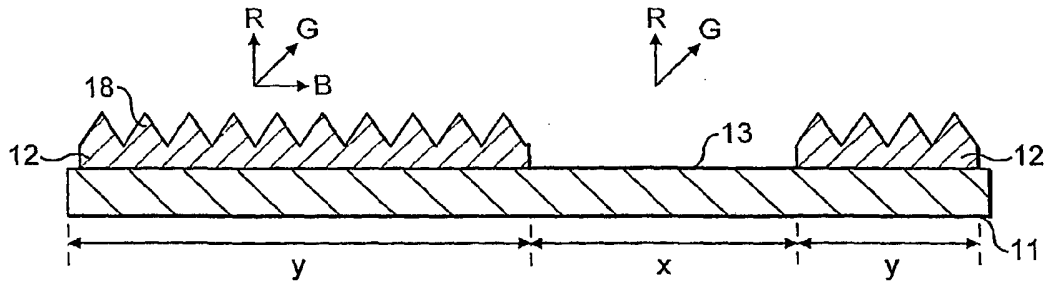


FIG. 4

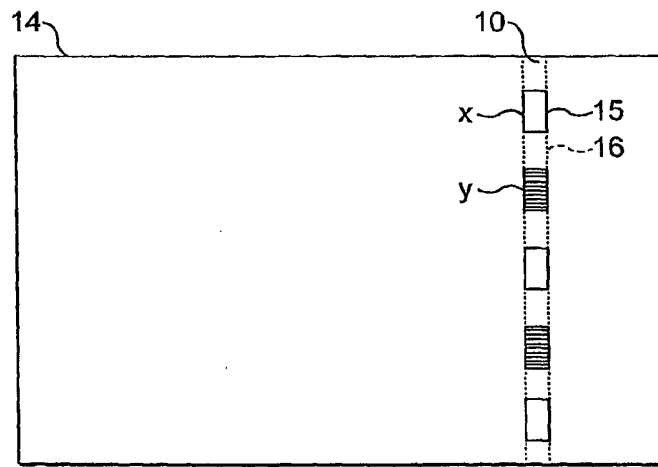


FIG. 5

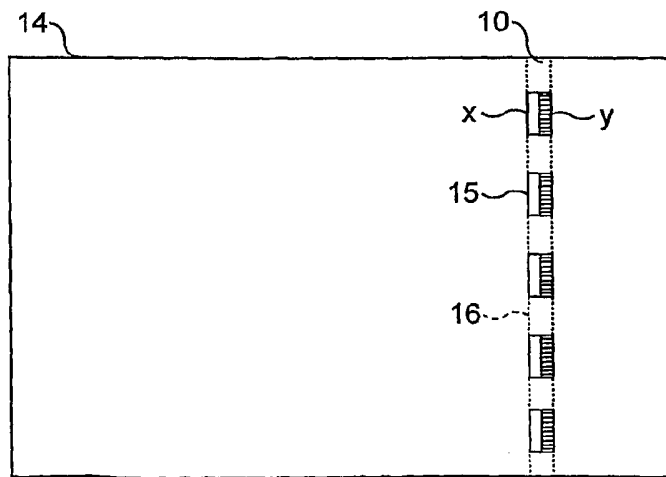


FIG. 6

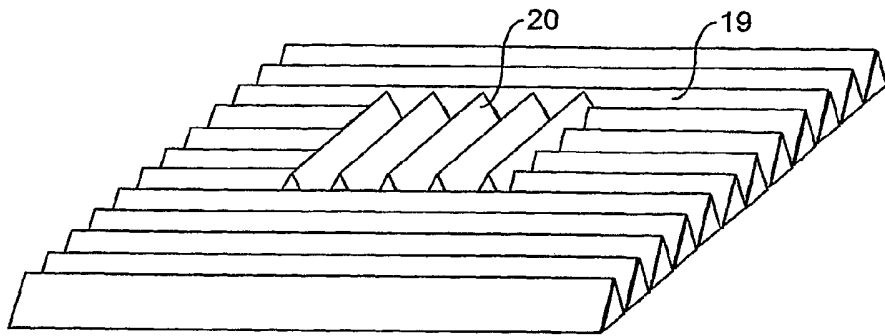


FIG. 7

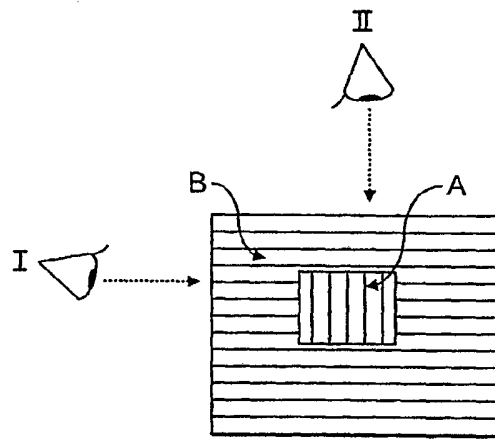


FIG. 8

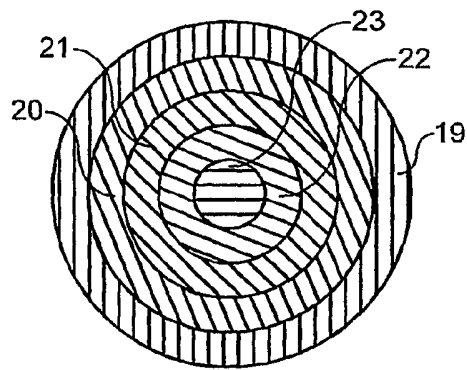


FIG. 9

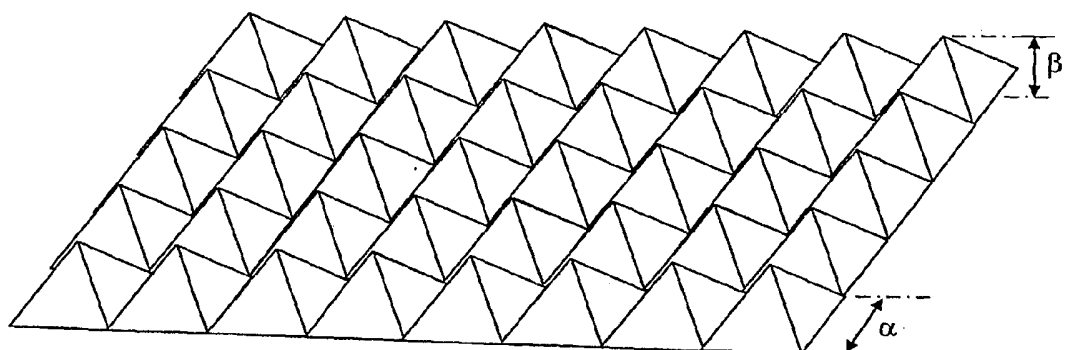


FIG. 10

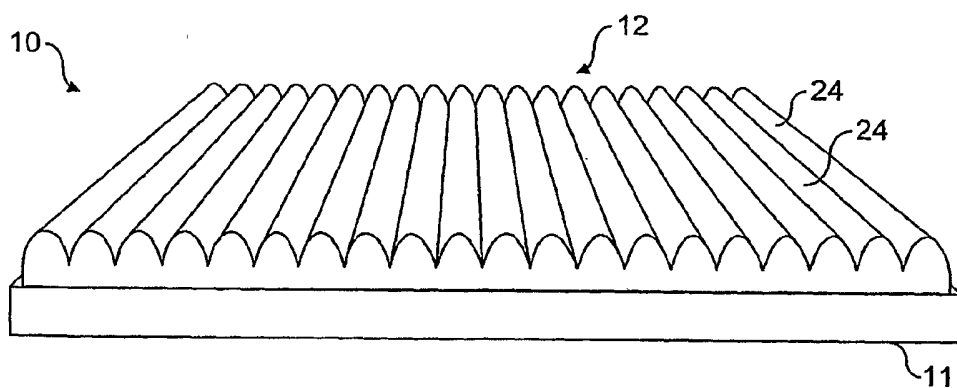


FIG. 11

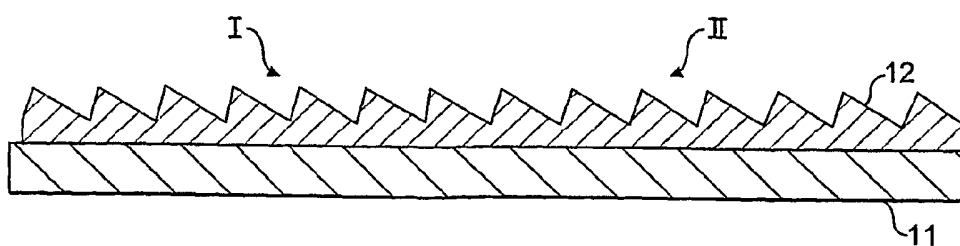


FIG. 12

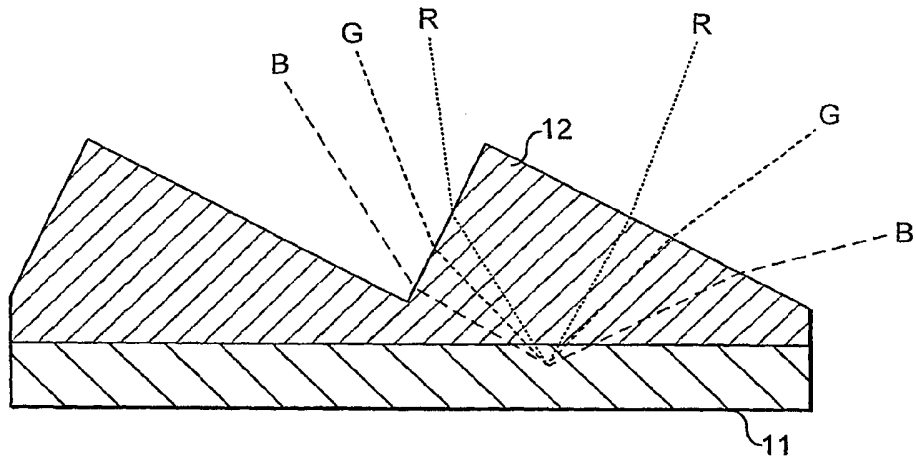


FIG. 13

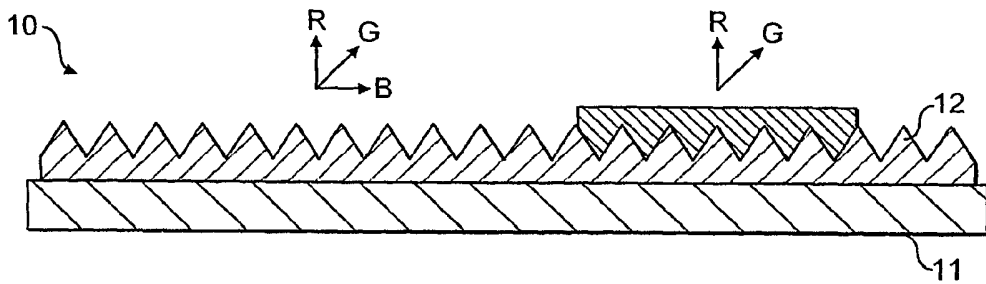


FIG. 14

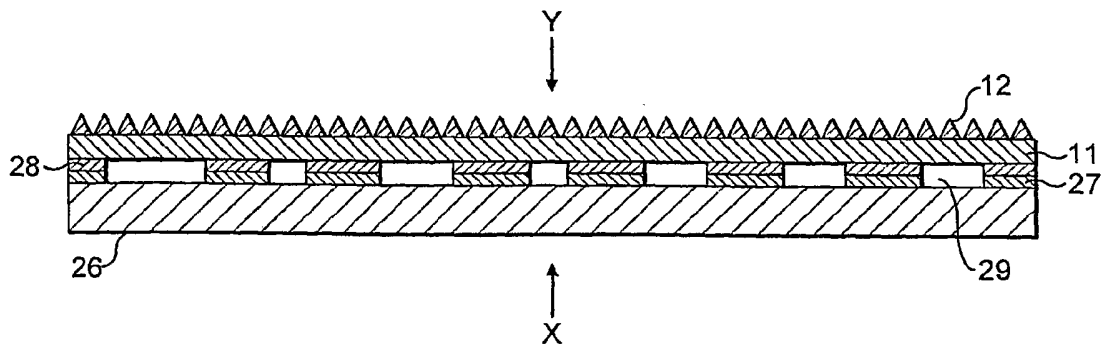


FIG. 15

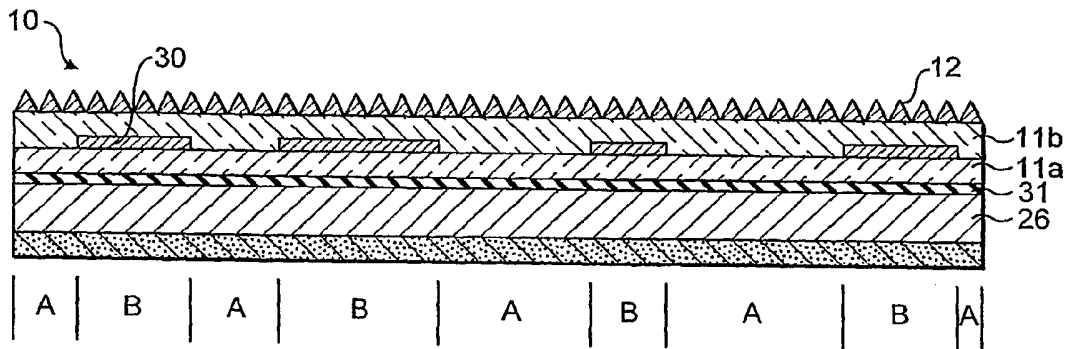


FIG. 16

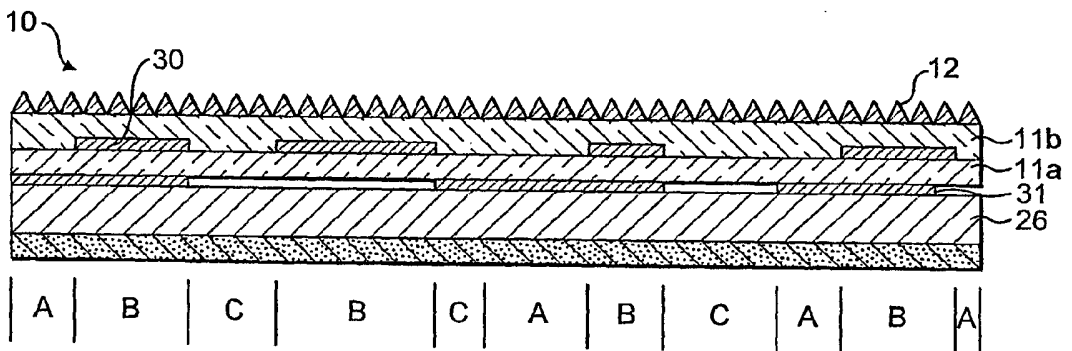


FIG. 17

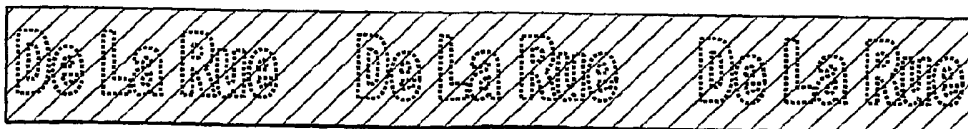


FIG. 18a

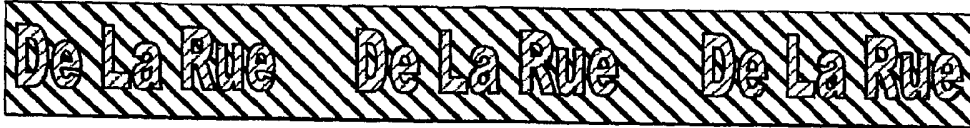


FIG. 18b

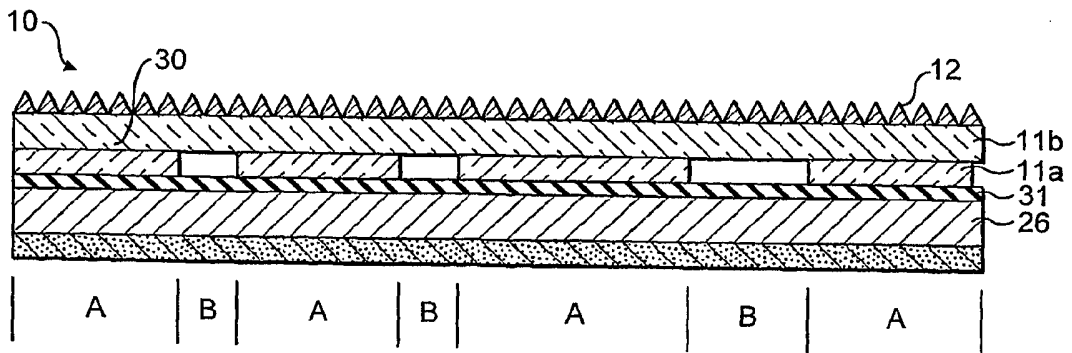


FIG. 19

REFERENCES CITED IN THE DESCRIPTION

*This list of references cited by the applicant is for the reader's convenience only. It does not form part of the European patent document. Even though great care has been taken in compiling the references, errors or omissions cannot be excluded and the EPO disclaims all liability in this regard.*

Patent documents cited in the description

- EP 0435029 A [0003] [0006]
- AU 488652 A [0004]
- WO 03061980 A [0005] [0006] [0038] [0051]
- EP 1156934 A [0005]
- US 4893906 B [0008]
- WO 2005105474 A [0008]
- WO 200510546 A [0008]
- US 4186943 B [0009]
- US 20050029800 A [0009]
- EP 1047549 A [0009]
- EP 1047960 A [0010]
- US 5591527 B [0010]
- WO 03055692 A [0010]
- WO 04062938 A [0010]
- WO 2006095160 A [0010]
- WO 2006087138 A1 [0011]
- US 3689346 B [0033]
- EP 1141480 A [0040] [0048]
- WO 03054297 A [0040]
- WO 03091953 A [0045]
- WO 03091952 A [0045]
- EP 0059056 A [0047]
- EP 0860298 A [0047]
- WO 03095188 A [0047]
- WO 3054297 A [0048]
- EP 516790 A [0051]
- WO 9825236 A [0051]
- WO 9928852 A [0051]
- US 20040155221 A [0061]

713744/KOT

## TÖKÉLETESÍTÉSEK A BIZTONSÁGI ESZKÖZÖKBEN

### Szabadalmi igénypontok

1. Biztonsági eszköz (10), amely tartalmaz egy színeltolódásos anyagú réteget (11) és legalább részben fel van hordva a színeltolódásos anyagú réteg első felületére, egy fény szabályozó réteget (12), amelynek olyan felületszerkezete van, amely módosítja a biztonsági eszköz által visszavert fény szögét, **azzal jellemezve, hogy** a színeltolódásos anyag úgy van kiválasztva, hogy amikor a biztonsági eszköz bizonyos látószögből látszik, a színeltolódásos anyag által visszavert fény az elektromágneses színek nem látható területén van, amikor pedig a biztonsági eszköz legalább egy másik szögben látszik, a visszavert fény a látható színekben van.
2. Az 1. igénypont szerinti biztonsági eszköz (10), amelyben a színeltolódásos réteg(ek) (11a, 11b) tartalmaz(nak) egy vékonyfilmes interferencia szerkezetet vagy egy több rétegű polimer szerkezetet, illetve kristályszerkezetet vagy folyadékkristályos réteget.
3. A 2. igénypont szerinti biztonsági eszköz (10), amelyben a folyadékkristályos réteg(ek) (11a, 11b) pigmentált folyadékkristályos anyagú bevonatot tartalmaz(nak) polimer hordozó rétegen (26) vagy folyadékkristályos filmen.
4. Az előző igénypontok egyike szerinti biztonsági eszköz (10), amelyben a fény szabályozó réteg (12) mikroprizmás film.
5. A 4. igénypont szerinti biztonsági eszköz (10), amelyben a mikroprizmás filmnek egydimenziós mikroprizmás szerkezete van.
6. A 4. igénypont szerinti biztonsági eszköz (10), amelyben a mikroprizmás filmnek kétdimenziós mikroprizmás szerkezete van.

7. Az 1 – 3. igénypontok egyike szerinti biztonsági eszköz (10), amelyben a fény szabályozó réteg (12) kupolás felületi szerkezetű lencsetömböt tartalmaz.
8. Az előző igénypontok egyike szerinti biztonsági eszköz (10), amelyben a fény szabályozó réteg (12) legalább egy területe ki van indexelve olyan anyag segítségével, amely lényegében ugyanazzal a törésmutatóval rendelkezik, mint a fény szabályozó réteg (12).
9. Az előző igénypontok egyike szerinti biztonsági eszköz (10), amelyben a fény szabályozó réteg (12) egy részleges réteg, amelynek legalább egy üres területe van, amelyben nincs jelen fény szabályozó réteg (12).
10. A 8 vagy 12. igénypontok egyike szerinti biztonsági eszköz (10), amelyben a kiindexelt és/vagy a legalább egy üres terület indexeket határoznak meg.
11. Az előző igénypontok egyike szerinti biztonsági eszköz (10) továbbá tartalmaz egy fényelnyelő anyagú további réteget (31), amely fel van hordva a – vagy az egyik – fényeltolódásos réteg(ek)re (11, 11a) a fény szabályozó film (12) ellentétes oldalán.
12. Az előző igénypontok egyike szerinti biztonsági eszköz (10), amelyben a színeltolódásos réteg(ek)et (11a, 11b) egy polimer hordozó réteg (26) támasztja.
13. Az előző igénypontok egyike szerinti biztonsági eszköz (10), amely továbbá fémes területek (27) által meghatározott fémes vagy fémmentesített indexeket tartalmaz, amelyek fel vannak hordva a polimer hordozó réteg (26) valamelyik oldalára.
14. Az előző igénypontok egyike szerinti biztonsági eszköz (10), amely továbbá tartalmaz egy géppel olvasható elemet.

15. A 14. igénypont szerinti biztonsági eszköz (10), amelyben a géppel olvasható elem fluoreszkáló, foszforeszkáló, infravörös elnyelő, termokróm, fotokróm, mágneses, elektrokróm, vezető vagy piezokróm anyagot tartalmaz.
16. Az előző igénypontok egyike szerinti biztonsági eszköz (10), amelyben az egy vagy mindkét színeltolódásos réteg (11a, 11b) egy részleges réteg.
17. Biztonságos hordozó felület, amely az előző igénypontok egyike szerinti egy alap hordozó felületet és egy biztonsági eszközt tartalmaz.
18. A 17. igénypont szerinti biztonságos hordozó felület, amelyben a biztonsági eszköz az alap hordozó felületre van felhordva.
19. A 15. igénypont szerinti biztonságos hordozó felület, amelyben a biztonsági eszköz legalább részben be van ágyazva az alap hordozó felületbe és ablakokban látható az alap hordozó felület legalább egy felületében.
20. Biztonsági dokumentum, amely a 17 - 19. igénypontok egyike szerinti biztonsági hordozó rétegből van kialakítva, biztonsági árucikk, amely utalványt, útlevelet, bankjegyet, csekket, igazolást vagy egyéb értékes dokumentumot tartalmaz.