



US0D1065992S

(12) **United States Design Patent**
Chen

(10) **Patent No.:** **US D1,065,992 S**

(45) **Date of Patent:** **** Mar. 11, 2025**

(54) **HOOK**

(71) Applicant: **Haifei Chen**, Shenzhen (CN)

(72) Inventor: **Haifei Chen**, Shenzhen (CN)

(**) Term: **15 Years**

(21) Appl. No.: **29/876,919**

(22) Filed: **May 30, 2023**

(30) **Foreign Application Priority Data**

Feb. 21, 2023 (CN) 202330062929.7

(51) **LOC (15) Cl.** **08-11**

(52) **U.S. Cl.**
USPC **D8/380; D8/367**

(58) **Field of Classification Search**
USPC D8/367, 370, 372, 380
CPC F16B 2/248; F16B 45/012; F16B 45/00;
F16B 47/003
See application file for complete search history.

(56) **References Cited**

U.S. PATENT DOCUMENTS

D326,603 S * 6/1992 Rogers D8/367
6,749,165 B2 * 6/2004 Immerman A47G 1/17
248/205.5
D589,331 S * 3/2009 Zhang D8/367

D620,344 S * 7/2010 Henry D8/367
D635,846 S * 4/2011 Klein D8/372
D683,207 S * 5/2013 Papadopoulos D8/367
D822,464 S * 7/2018 Kwiatkowski D8/367
D931,091 S * 9/2021 Blakely D8/373
D976,086 S * 1/2023 Jiang D8/367
D1,005,088 S * 11/2023 Deng D8/367
D1,011,177 S * 1/2024 Wang D8/367
D1,025,757 S * 5/2024 Wang D8/367
D1,025,758 S * 5/2024 Wang D8/367
D1,027,630 S * 5/2024 Wang D8/367
2011/0088231 A1 * 4/2011 Henry F16B 45/005
24/716

* cited by examiner

Primary Examiner — Omeed Agilee
Assistant Examiner — Harold E Blackwell, II

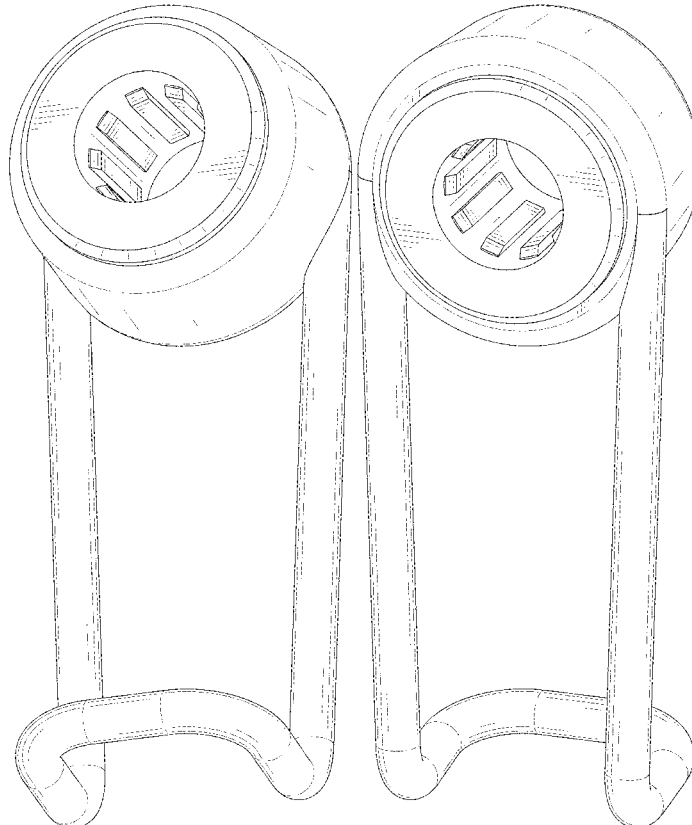
(57) **CLAIM**

The ornamental design for a hook as shown and described.

DESCRIPTION

FIG. 1 is a perspective view of a hook showing my new design;
FIG. 2 is another perspective view thereof;
FIG. 3 is a front elevational view thereof;
FIG. 4 is a rear elevational view thereof;
FIG. 5 is a left side elevational view thereof;
FIG. 6 is a right side elevational view thereof;
FIG. 7 is a top plan view thereof; and,
FIG. 8 is a bottom plan view thereof.

1 Claim, 8 Drawing Sheets



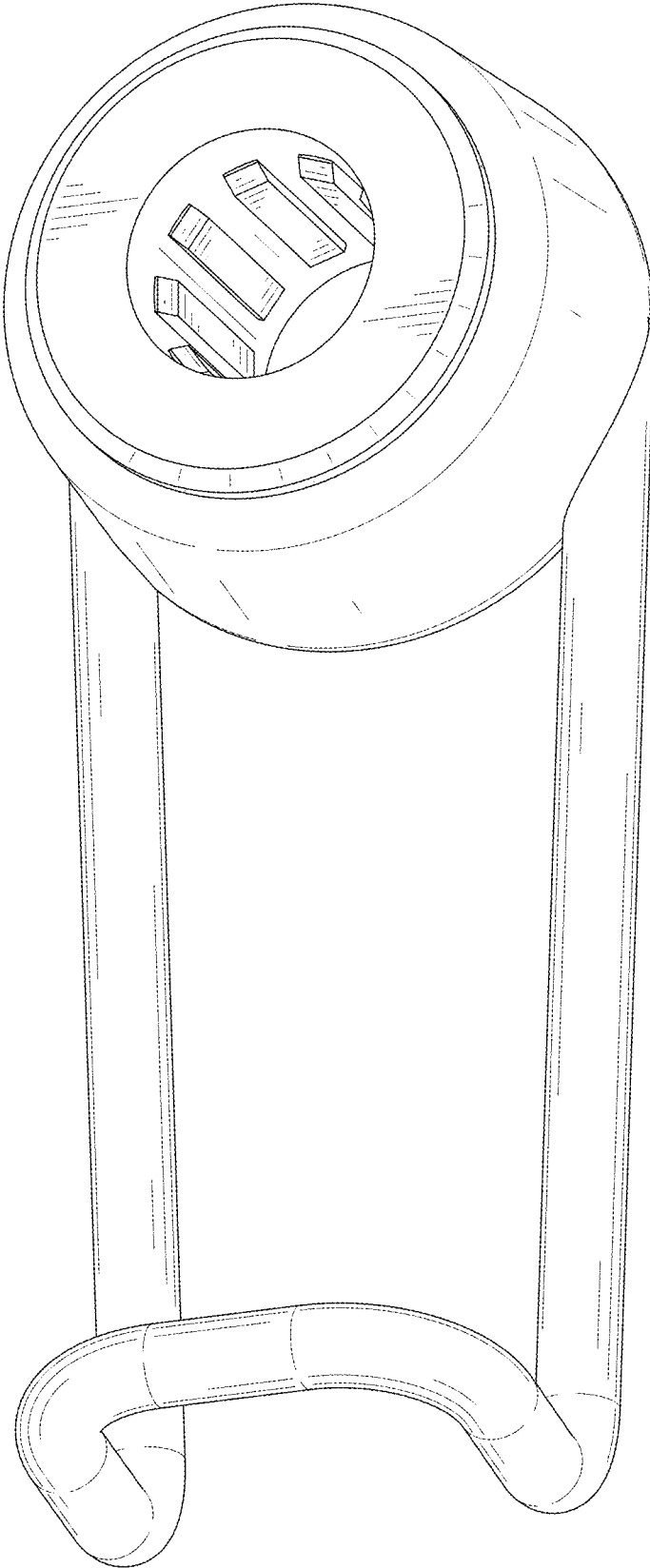


FIG. 1

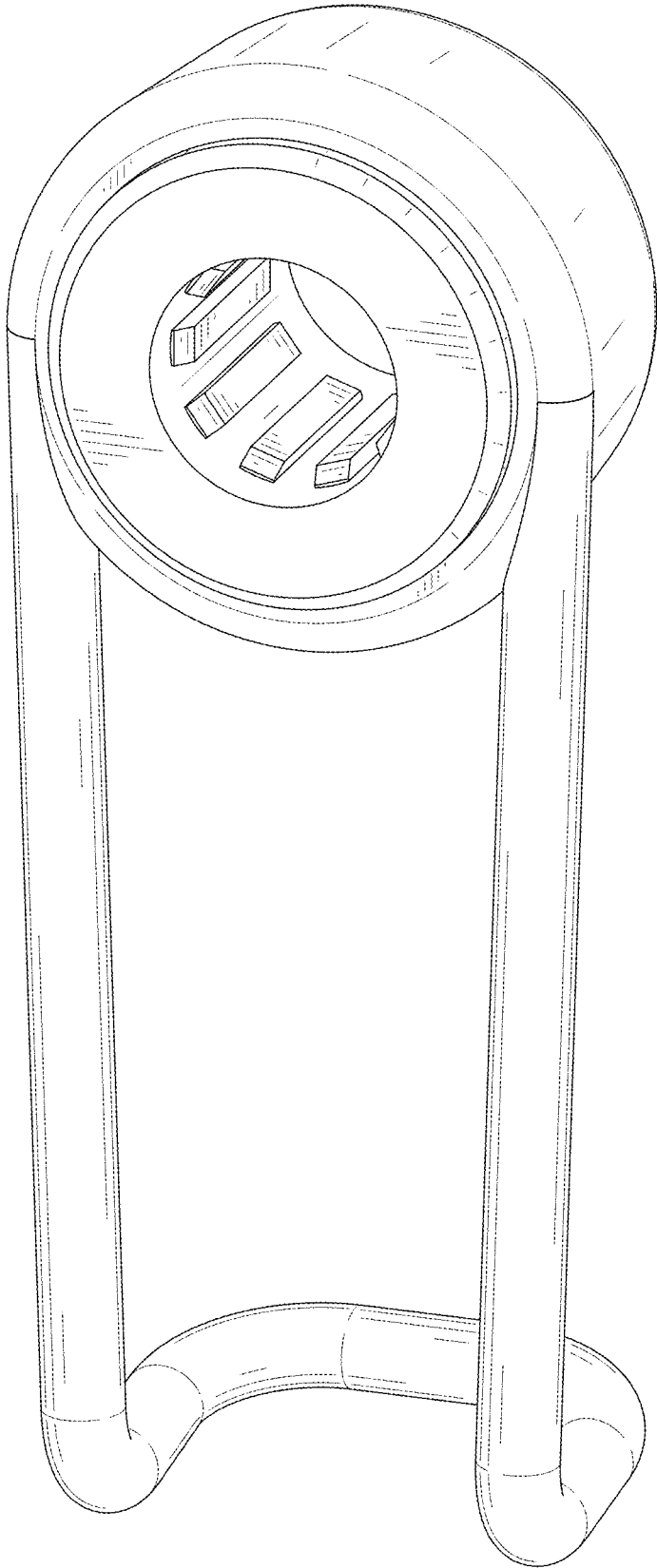


FIG. 2

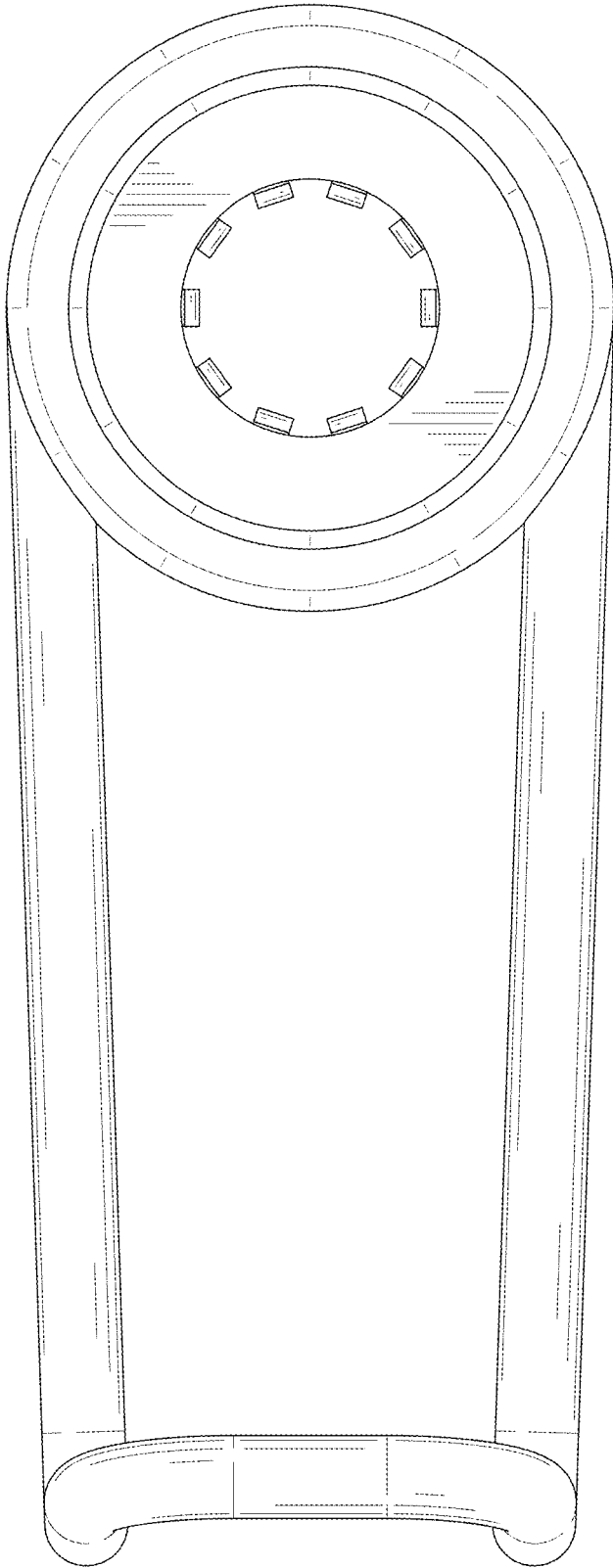


FIG. 3

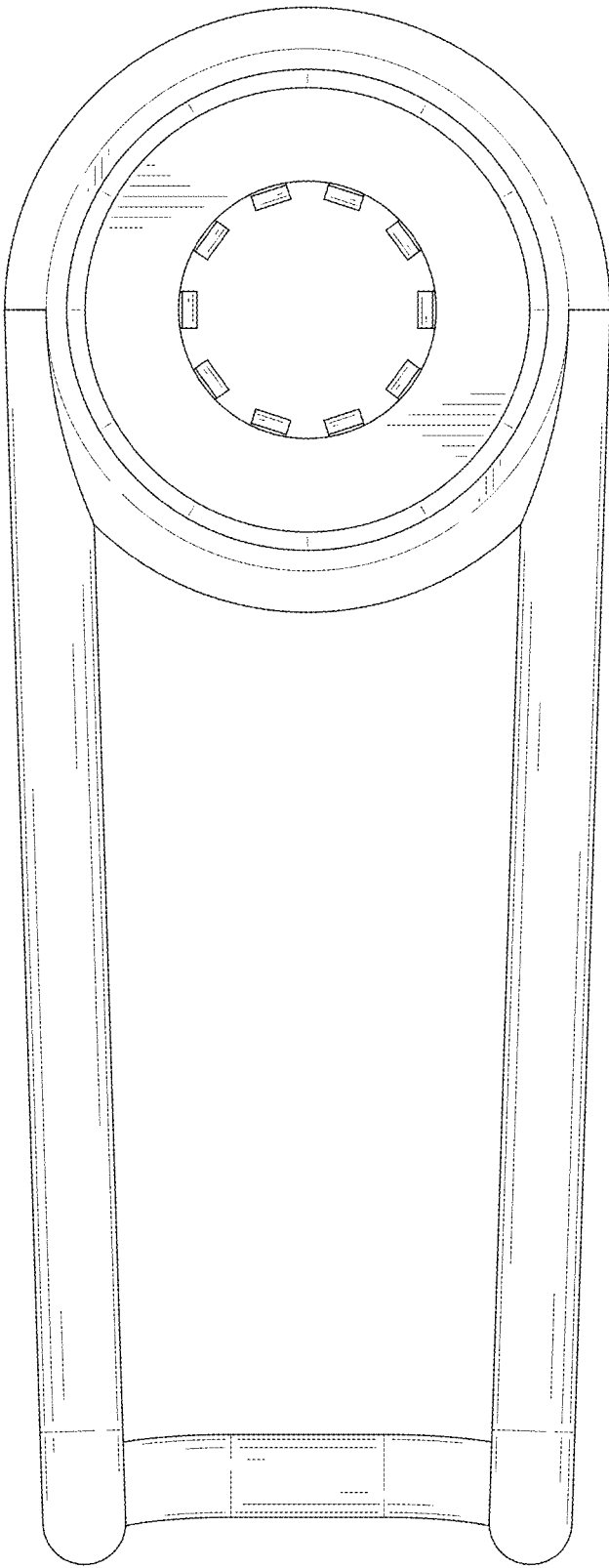


FIG. 4

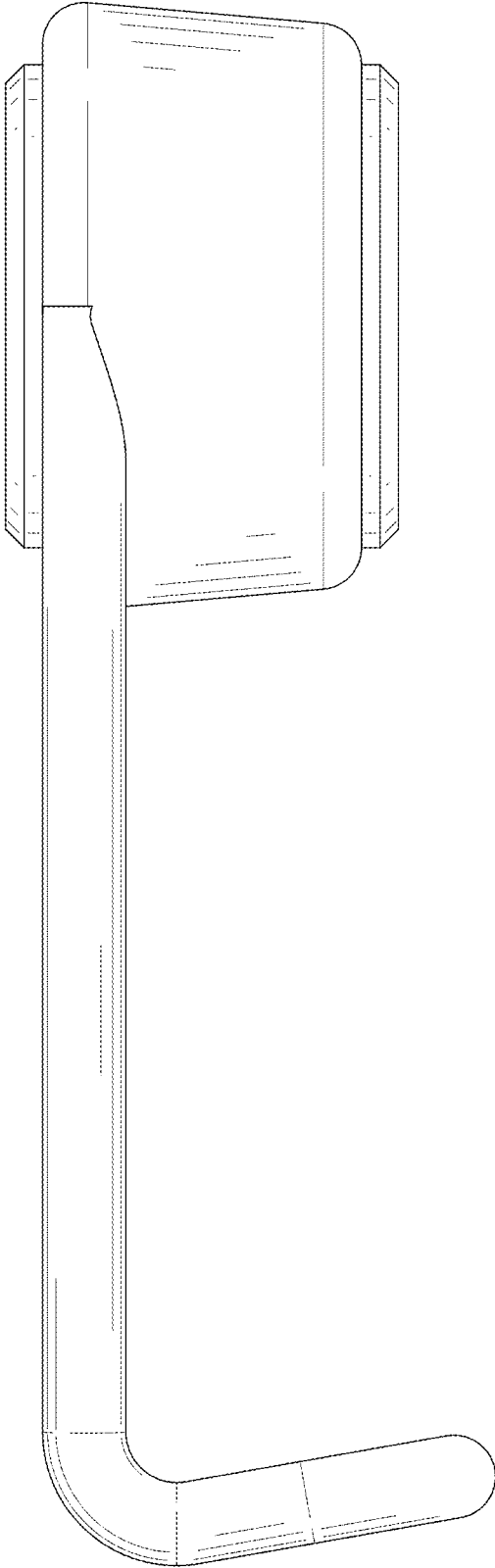


FIG. 5

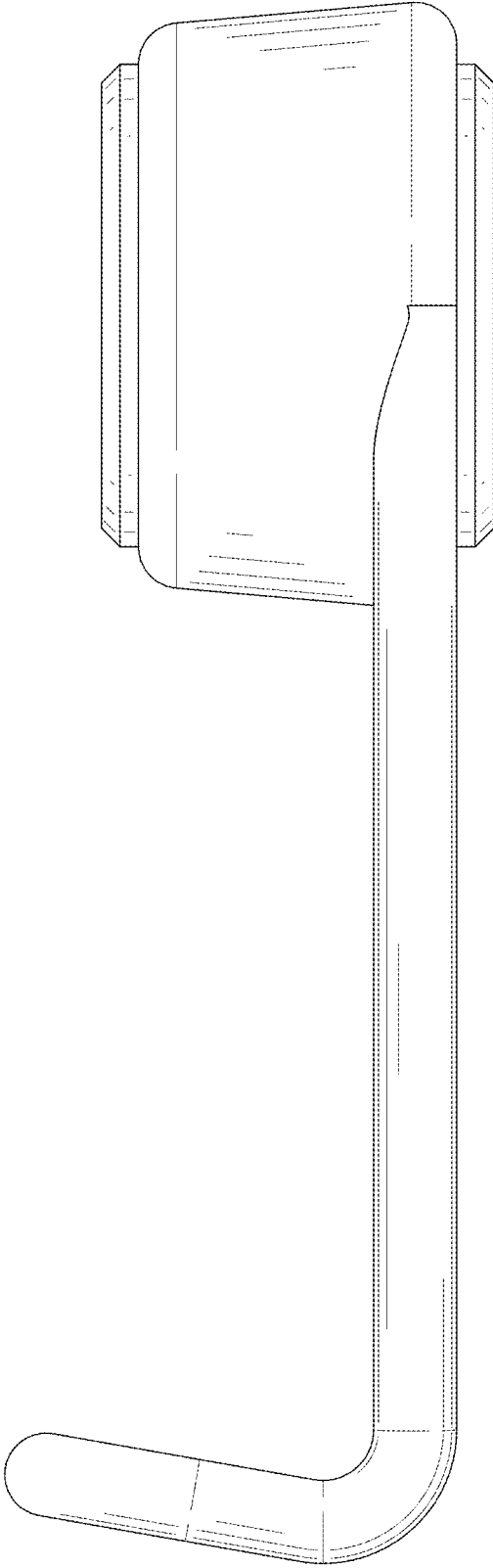


FIG. 6

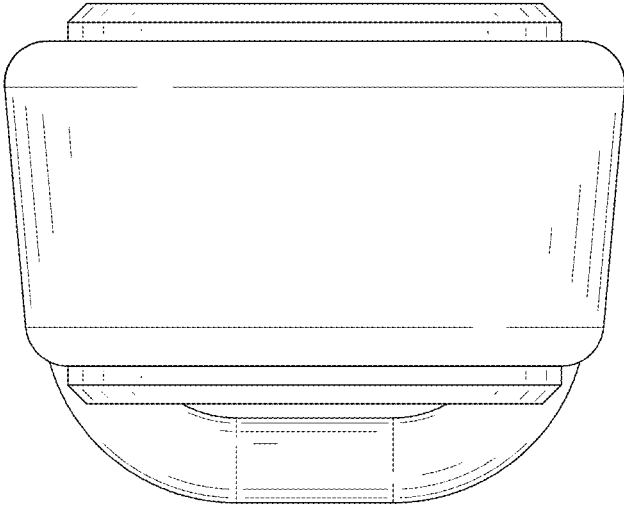


FIG. 7

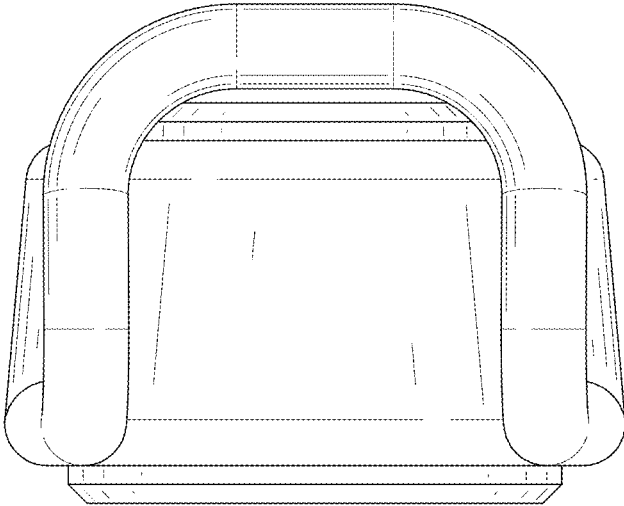


FIG. 8