



US00D556750S

(12) **United States Design Patent**  
Fitch et al.

(10) **Patent No.:** **US D556,750 S**

(45) **Date of Patent:** **\*\* Dec. 4, 2007**

(54) **PORTABLE DATA TERMINAL**

(75) Inventors: **Timothy R. Fitch**, Syracuse, NY (US); **Garth R. Gibby**, Beaverton, OR (US); **Donwoong Kang**, Camillus, NY (US); **Scott W. Osiecki**, Skaneateles, NY (US)

(73) Assignee: **Hand Held Products, Inc.**, Skaneateles Falls, NY (US)

(\*\*) Term: **14 Years**

(21) Appl. No.: **29/248,469**

(22) Filed: **Aug. 17, 2006**

(51) **LOC (8) Cl.** ..... **14-02**

(52) **U.S. Cl.** ..... **D14/346**

(58) **Field of Classification Search** ..... D14/341-346, D14/138; D18/1, 2, 7, 11; 235/145 A, 145 R; 341/22, 23; 345/156, 168, 169, 172, 173; 349/12; 361/680-686; 400/485; 434/323

See application file for complete search history.

(56) **References Cited**

U.S. PATENT DOCUMENTS

D392,282 S *	3/1998	Ahearn et al. ....	D14/346
D433,017 S *	10/2000	Martinez ....	D14/346
D511,773 S *	11/2005	Horiki et al. ....	D14/346
7,083,342 B2 *	8/2006	Griffin ....	400/485
2005/0057520 A1 *	3/2005	Robinson ....	345/169
2005/0083642 A1 *	4/2005	Senpuku et al. ....	361/681
2005/0156897 A1 *	7/2005	Suzuki ....	345/169

\* cited by examiner

Primary Examiner—Freda S Nunn

(57) **CLAIM**

The ornamental design for a portable data terminal, as shown and described.

**DESCRIPTION**

FIG. 1 is a perspective view of a portable data terminal;

FIG. 2 is a side of the portable data terminal shown in FIG. 1;

FIG. 3 is another side view of the portable data terminal shown in FIG. 1;

FIG. 4 is a rear view of the portable data terminal shown in FIG. 1;

FIG. 5 is front view of the portable data terminal shown in FIG. 1;

FIG. 6 is a top view of the portable data terminal shown in FIG. 1;

FIG. 7 is a bottom view of the portable data terminal shown in FIG. 1;

FIG. 8 is a side view of a second embodiment of the portable data terminal shown in FIG. 1;

FIG. 9 is another side view of the portable data terminal shown in FIG. 8;

FIG. 10 is rear view of the portable data terminal shown in FIG. 8;

FIG. 11 is a top view of the portable data terminal shown in FIG. 8; and,

FIG. 12 is bottom view of the portable data terminal shown in FIG. 8.

The broken lines are shown in the views for illustrative purposes only and form no part of the claimed design.

**1 Claim, 10 Drawing Sheets**

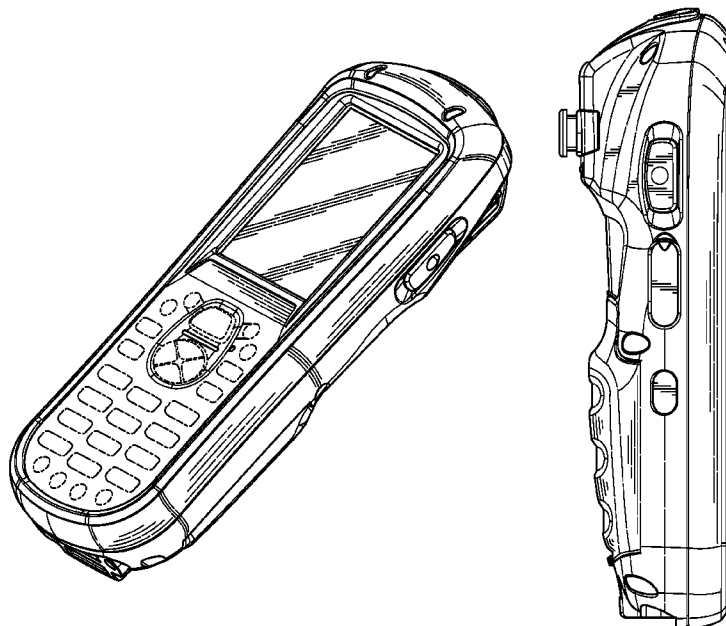




FIG. 1

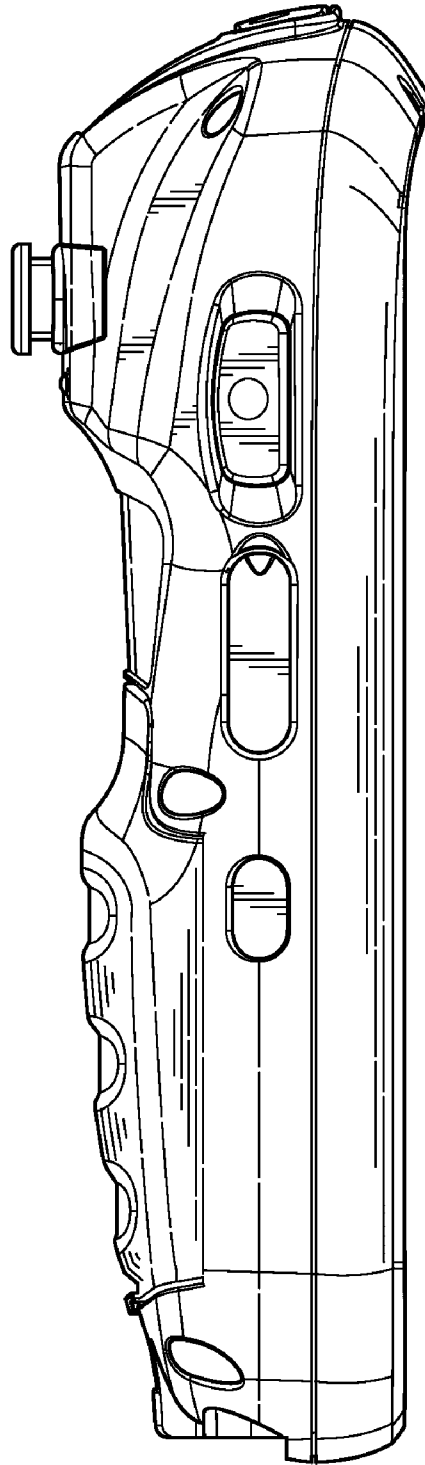


FIG. 2

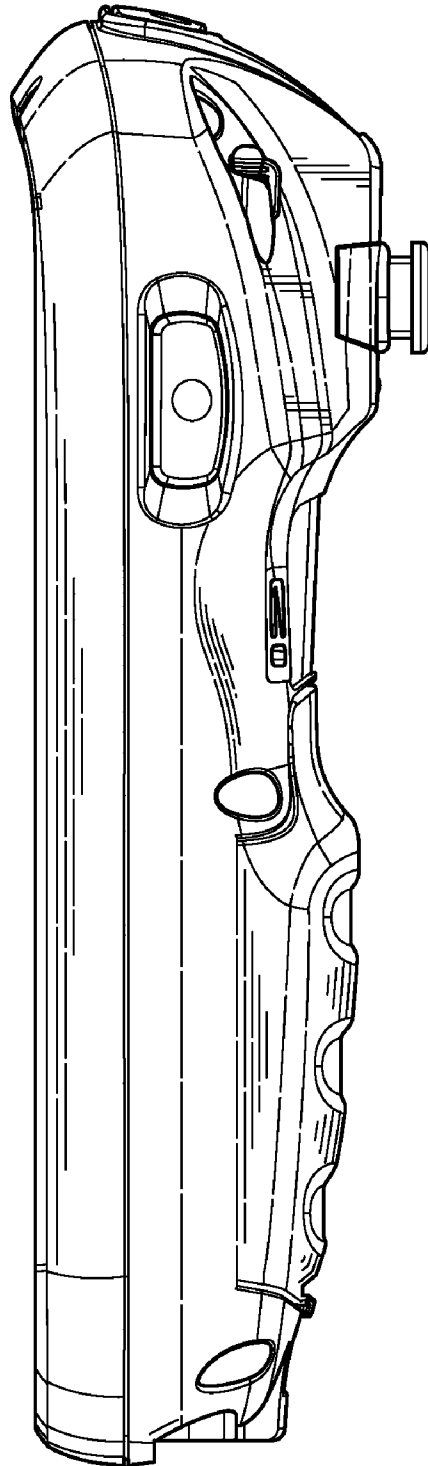


FIG. 3

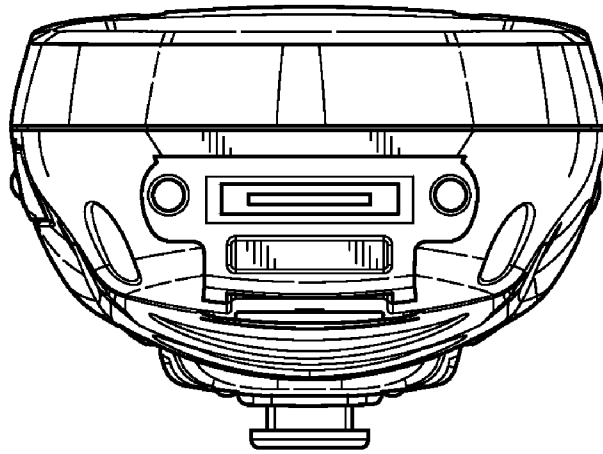


FIG. 4

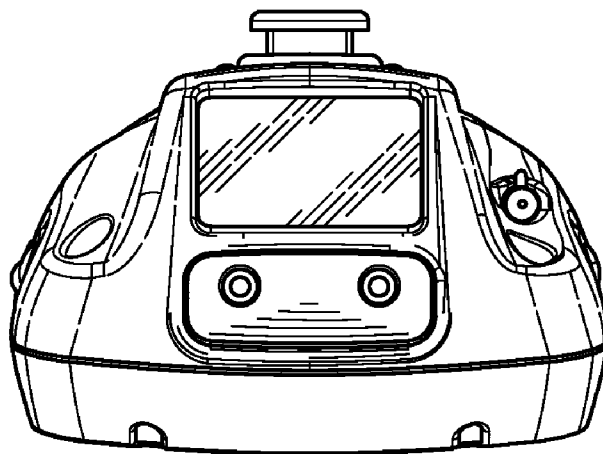


FIG. 5

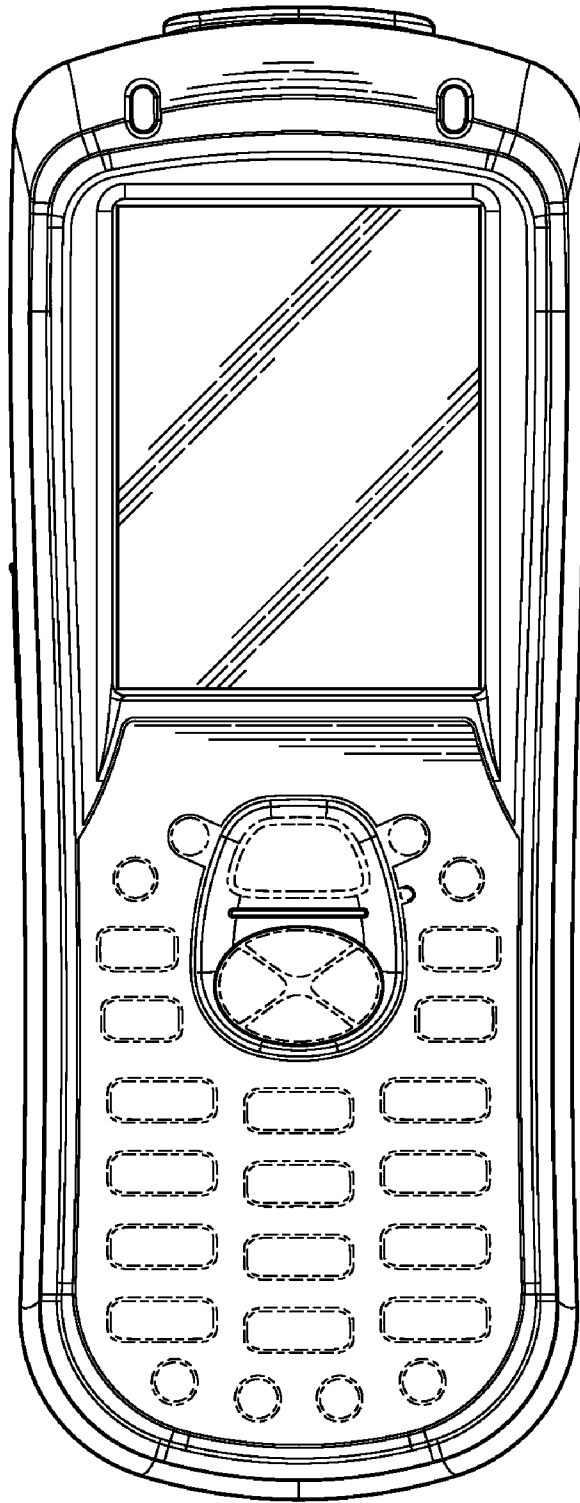


FIG. 6

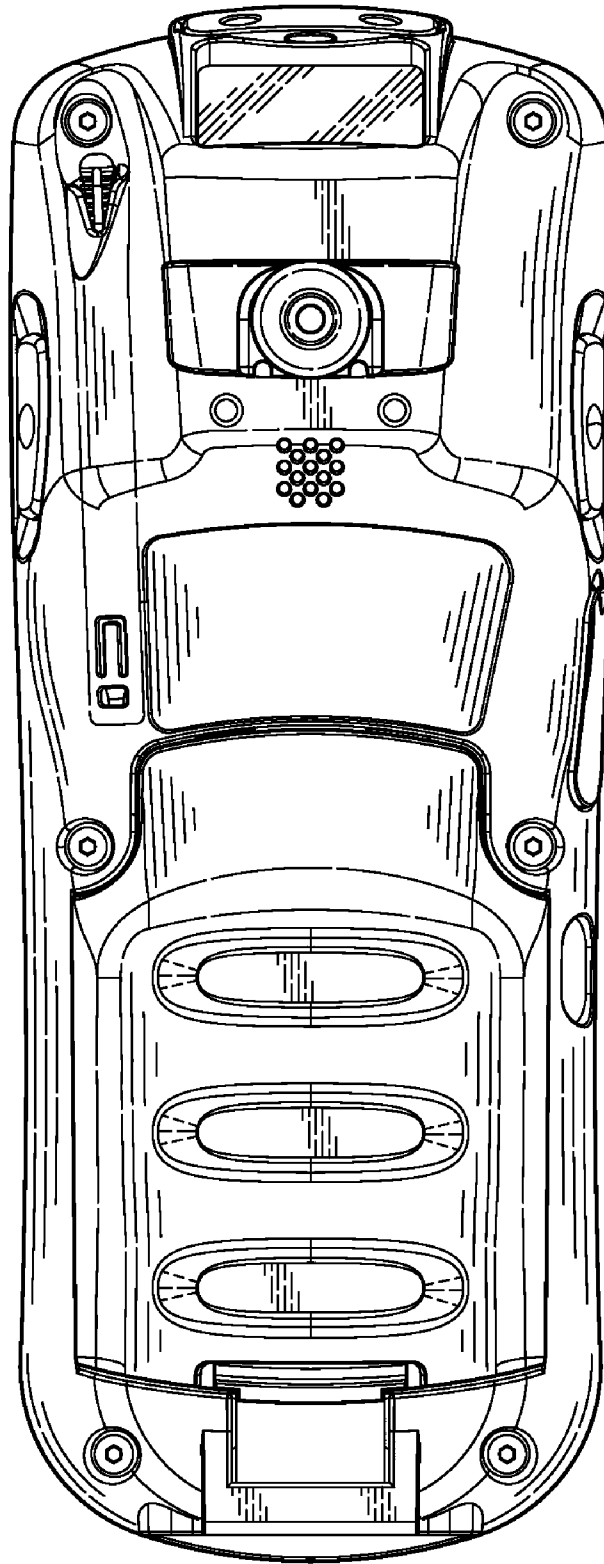


FIG. 7

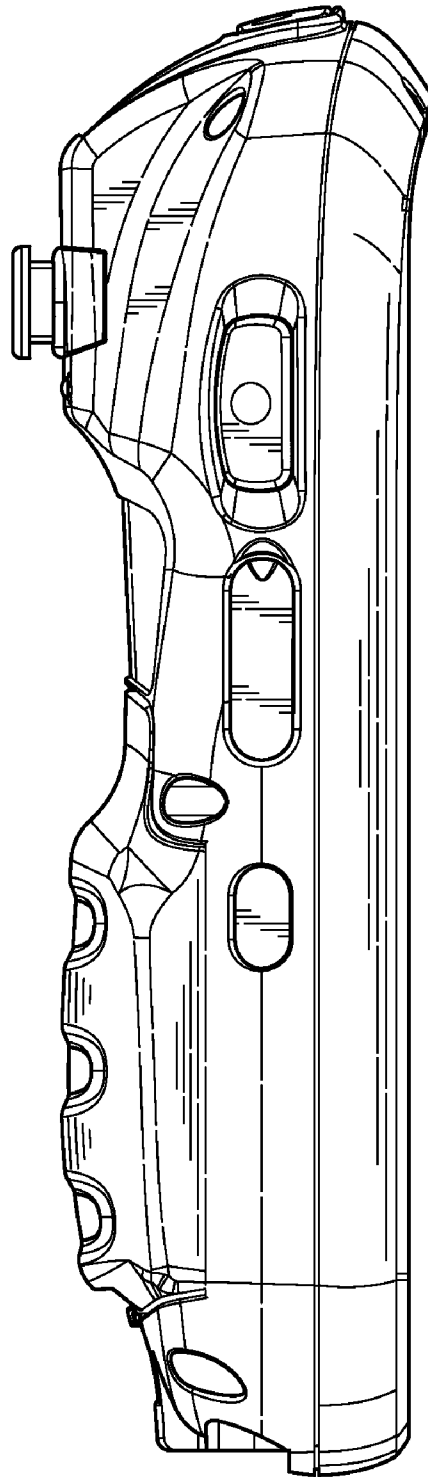


FIG. 8



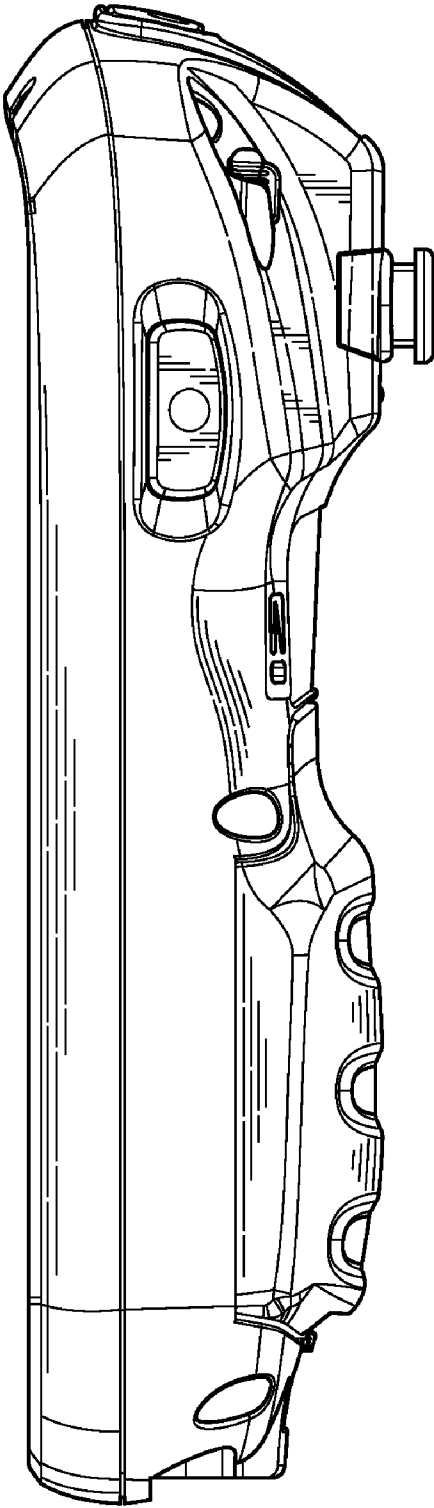


FIG. 9

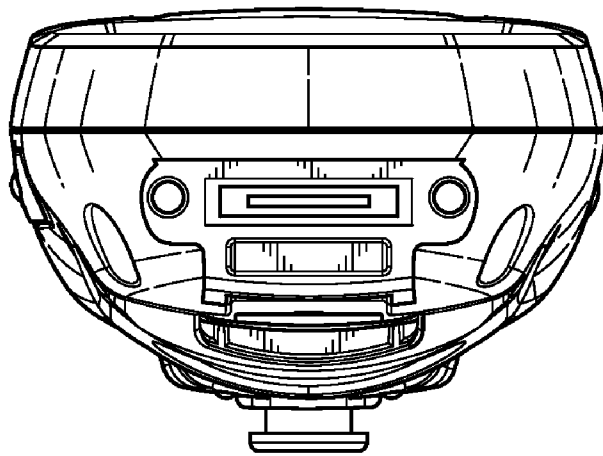


FIG. 10

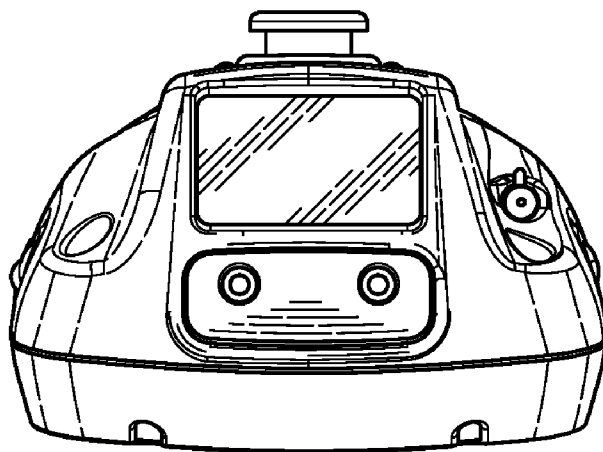


FIG. 11

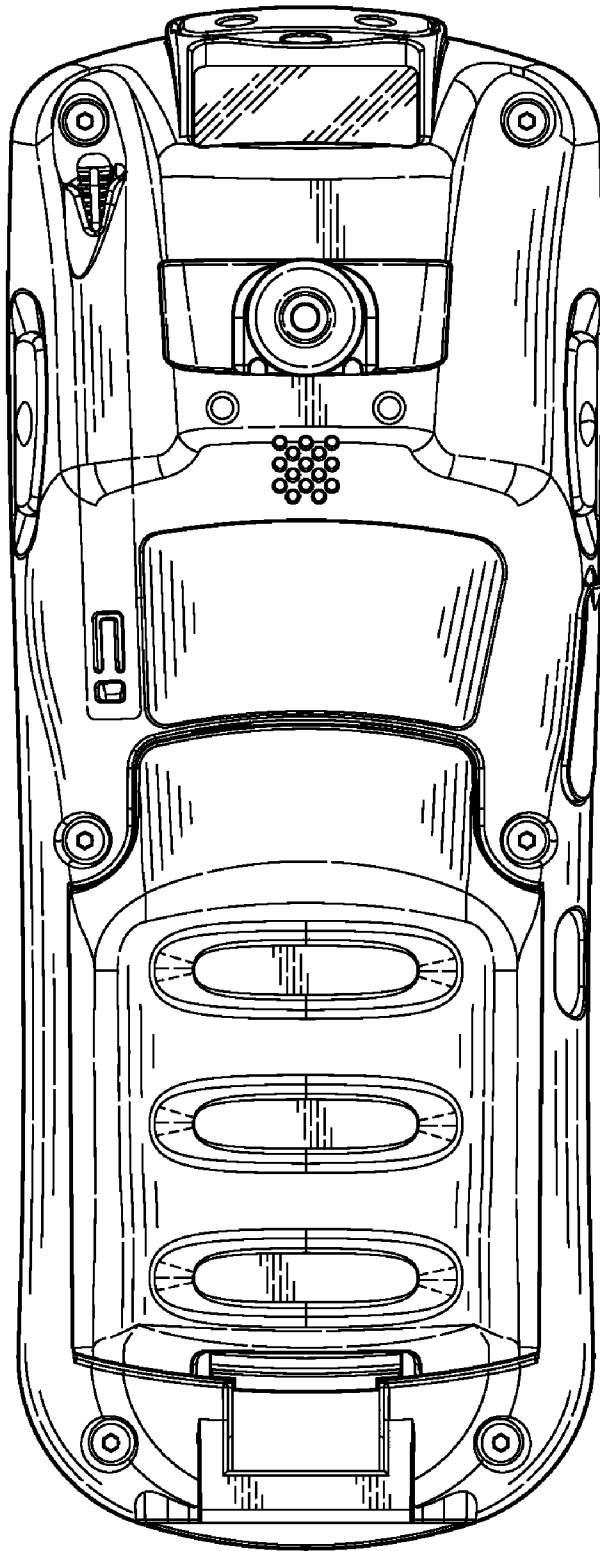


FIG. 12