



INTERNATIONAL APPLICATION PUBLISHED UNDER THE PATENT COOPERATION TREATY (PCT)

<p>(51) International Patent Classification ⁶ : B65D 1/00</p>	<p>A1</p>	<p>(11) International Publication Number: WO 95/07219</p> <p>(43) International Publication Date: 16 March 1995 (16.03.95)</p>
<p>(21) International Application Number: PCT/US94/09876</p> <p>(22) International Filing Date: 2 September 1994 (02.09.94)</p> <p>(30) Priority Data: 120,038 10 September 1993 (10.09.93) US</p> <p>(60) Parent Application or Grant (63) Related by Continuation US 08/120,038 (CON) Filed on 10 September 1993 (10.09.93)</p> <p>(71) Applicant (for all designated States except US): PLASTIPAK PACKAGING, INC. [US/US]; 9135 General Court, P.O. Box 2500 C, Plymouth, MI 48170 (US).</p> <p>(72) Inventors; and (75) Inventors/Applicants (for US only): SLAT, William, A. [US/US]; 164 North Grand Pointe, Brooklyn, MI 49230 (US). DARR, Richard, C. [US/US]; 3645 Good Road, Seville, OH 44273 (US).</p> <p>(74) Agent: KUSHMAN, James, A.; Brooks & Kushman, 22nd floor, 1000 Town Center, Southfield, MI 48075 (CA).</p>		<p>(81) Designated States: AM, AT, AU, BB, BG, BR, BY, CA, CH, CN, CZ, DE, DK, EE, ES, FI, GB, GE, HU, JP, KE, KG, KP, KR, KZ, LK, LR, LT, LU, LV, MD, MG, MN, MW, NL, NO, NZ, PL, PT, RO, RU, SD, SE, SI, SK, TJ, TT, UA, US, UZ, VN, European patent (AT, BE, CH, DE, DK, ES, FR, GB, GR, IE, IT, LU, MC, NL, PT, SE), OAPI patent (BF, BJ, CF, CG, CI, CM, GA, GN, ML, MR, NE, SN, TD, TG), ARIPO patent (KE, MW, SD).</p> <p>Published <i>With international search report.</i> <i>Before the expiration of the time limit for amending the claims and to be republished in the event of the receipt of amendments.</i></p>
<p>(54) Title: MULTILAYER PREFORM USED FOR PLASTIC BLOW MOLDING AND METHOD FOR MAKING THE PREFORM</p>		
<p>(57) Abstract</p>		
<p>A multilayer preform (26a, 26b, 26c) used for plastic blow molding and a method for making the preform provides an inner layer (28) of polyethylene naphthalate and an injection molded outer layer (30) of polyethylene terephthalate which has reduced transmission of gas upon blow molding as a container due to the gas barrier provided by the inner layer of polyethylene naphthalate. The inner layer (28) of polyethylene naphthalate by itself or along with a further inner layer (32) of virgin polyethylene terephthalate is thermoformed prior to the injection molding of the outer layer (30) of polyethylene terephthalate. A minimal amount of the polyethylene naphthalate which is relatively expensive can be utilized due to the thermoforming and injection molding as disclosed.</p>		

FOR THE PURPOSES OF INFORMATION ONLY

Codes used to identify States party to the PCT on the front pages of pamphlets publishing international applications under the PCT.

AT	Austria	GB	United Kingdom	MR	Mauritania
AU	Australia	GE	Georgia	MW	Malawi
BB	Barbados	GN	Guinea	NE	Niger
BE	Belgium	GR	Greece	NL	Netherlands
BF	Burkina Faso	HU	Hungary	NO	Norway
BG	Bulgaria	IE	Ireland	NZ	New Zealand
BJ	Benin	IT	Italy	PL	Poland
BR	Brazil	JP	Japan	PT	Portugal
BY	Belarus	KE	Kenya	RO	Romania
CA	Canada	KG	Kyrgyzstan	RU	Russian Federation
CF	Central African Republic	KP	Democratic People's Republic of Korea	SD	Sudan
CG	Congo	KR	Republic of Korea	SE	Sweden
CH	Switzerland	KZ	Kazakhstan	SI	Slovenia
CI	Côte d'Ivoire	LI	Liechtenstein	SK	Slovakia
CM	Cameroon	LU	Luxembourg	SN	Senegal
CN	China	LV	Latvia	TD	Chad
CS	Czechoslovakia	MG	Madagascar	TG	Togo
CZ	Czech Republic	ML	Mali	TJ	Tajikistan
DE	Germany	MN	Mongolia	TT	Trinidad and Tobago
DK	Denmark			UA	Ukraine
ES	Spain			US	United States of America
FI	Finland			UZ	Uzbekistan
FR	France			VN	Viet Nam
GA	Gabon				

-1-

MULTI-LAYER PREFORM USED FOR PLASTIC
BLOW MOLDING AND METHOD FOR MAKING THE PREFORM

TECHNICAL FIELD

This invention relates to a multi-layer
5 preform used for plastic blow molding and to a method
for making the preform.

BACKGROUND ART

Plastic blow molding is conventionally
performed by providing a hot plastic parison either from
10 extruded plastic or as a preform which is usually
injection molded from plastic. Usually, such preforms
are composed of a single type of plastic that is
injected into a mold through a single port. However,
there have also been attempts to provide coinjection of
15 more than one plastic into a mold so as to provide
different layers of plastic.

U.S. Patent 3,878,282 to Bonis et al.
discloses a process for molding multi-layer articles
that are specifically disposed as a preform-type parison
20 with different layers. The process involved is
performed by injection molding the different layers
within different molds while mounted on the same inner
mandrel during the injection of each layer.

U.S. Patent 4,307,137 to Ota et al. discloses
25 a method for forming an optical design pattern in
polyethylene terephthalate articles which are
specifically disclosed as a blow molding preform having
inner and outer members with the inner member having an
open end defining a thread closure and with the outer

-2-

member having a junction with the inner member toward a closed end of the preform from the thread closure.

U.S. Patent 4,391,861 to Nilsson discloses a preform of a thermoplastic and has a two-part
5 interfitted construction and at least one intermediate layer that functions as a gas barrier, and also discloses that the outer part may be previously used and reprocessed material.

U.S. Patent 4,646,925 to Nohara discloses a
10 multi-layer preform for draw-blow forming a bottle which has inner and outer layers with a junction that is located toward a closed end of the preform from a closure thread at an open end of the preform. The preform also includes a gas barrier intermediate the
15 inner and outer layers.

U.S. Patent 5,102,705 discloses a bottle made of polyethylene naphthalate resin produced by highly stretching a preform in a manner that is disclosed as limiting gas permeability and x-ray transmission.

20 There have been attempts in the past, such as disclosed by the aforementioned Nilsson patent, to utilize post consumer recycled plastic for plastic blow molding since such reuse reduces the need for additional land fills as well as conserving on natural resources in
25 the manufacturing of new articles. Such prior attempts have utilized injection molding or extrusion which necessarily limits the amount of post consumer recycled plastic which can be utilized since it is difficult to injection mold or extrude relatively thin wall preforms
30 used for plastic blow molding. The maximum amount of post consumer recycled plastic which has been used to

-3-

date is about 50% by weight of the total weight of the preform.

Blow molding has also previously been performed utilizing a preform that is initially thermoformed from film, i.e. sheet plastic, that provides a moisture and/or oxygen barrier prior to injection molding of an outer protective layer. After the thermoforming, the formed film is trimmed and the outer layer is then injection molded around the thermoformed plastic prior to the finished preform being blow molded to provide the resultant container.

The dominant gas barrier commercially utilized at the present time to prevent gas transmission through blow molded containers is ethyl vinyl alcohol which may be dipped, sprayed or brushed as well as coinjected with plastic resin. One disadvantage of ethyl vinyl alcohol is that it must be fully enveloped by the plastic of the preform or it will tend to draw moisture from the atmosphere and thereby loses its ability to function in preventing gas transmission through the container.

DISCLOSURE OF INVENTION

One object of the present invention is to provide an improved multi-layer preform used for plastic blow molding.

In carrying out the above object, the multi-layer preform used for plastic blow molding has an inner layer of polyethylene naphthalate for providing a gas barrier. The preform also has an injection molded outer layer of polyethylene terephthalate which, upon blowing of the preform into a container, has reduced

-4-

transmission of gas due to the gas barrier provided by the inner layer of polyethylene naphthalate.

It is possible for the multi-layer preform used for plastic blow molding to be constructed with the inner layer consisting essentially only of the polyethylene naphthalate or as a mixture of the polyethylene naphthalate and a further resin. The further resins which may be utilized can be polyolefins, polyamides, polycarbonates, polyesteramides, polyesters and combinations of these resins. More specifically, the further resin may be polyethylene terephthalate from which the outer layer is also injection molded. Use of such further resins while somewhat decreasing the gas barrier properties of the inner layer reduces the amount of polyethylene naphthalate utilized which is substantially more expensive than the polyethylene terephthalate and other resins.

In one embodiment, the preform is constructed with the outer layer of polyethylene terephthalate injection molded from virgin polyethylene terephthalate. In this embodiment, the inner layer of polyethylene naphthalate and the outer layer of virgin polyethylene terephthalate have a direct interface with each other.

In other embodiments of the preform, the outer layer is injection molded from post consumer recycled polyethylene terephthalate. Such further embodiments are also disclosed as having a further inner layer of virgin polyethylene terephthalate that cooperates with the inner layer of polyethylene naphthalate in separating the outer layer of post consumer recycled polyethylene terephthalate from the contents of the container that is blow molded from the preform. In one such embodiment, the further inner layer of virgin

-5-

polyethylene terephthalate is located between the inner layer of polyethylene naphthalate and the outer layer of post consumer recycled polyethylene terephthalate. In another such embodiment, the inner layer of polyethylene naphthalate is located between the inner layer of virgin polyethylene terephthalate and the outer layer of post consumer polyethylene terephthalate.

Another object of the invention is to provide an improved method for making a multi-layer preform used for plastic blow molding.

In carrying out the immediately preceding above object, the improved method for making a multi-layer preform used for plastic blow molding is performed by thermoforming a sheet of polyethylene naphthalate to provide an inner layer that functions as a gas barrier. Injection molding of an outer layer of polyethylene terephthalate is performed around the inner layer of polyethylene naphthalate which limits the transmission of gas through the outer layer of polyethylene terephthalate upon blow molding of the preform into a container.

In one practice of the method, the injection molding of the outer layer is performed with virgin polyethylene terephthalate that has a direct interface with the inner layer of polyethylene naphthalate.

Further practices of the method are performed utilizing a sheet of virgin polyethylene terephthalate that is thermoformed to provide a further inner layer that has a direct interface with the inner layer of polyethylene naphthalate, and the injection molding is subsequently performed about the inner layers utilizing post consumer recycled polyethylene terephthalate. The

-6-

5 sheets of polyethylene naphthalate and virgin polyethylene terephthalate are preferably thermoformed simultaneously with each other. The thermoformed sheets of polyethylene naphthalate and virgin polyethylene terephthalate are most preferably transferred together with each other to the injection mold for the injection molding of the post consumer recycled polyethylene terephthalate. In one practice, the thermoforming is performed to provide the inner layer of virgin polyethylene terephthalate between the inner layer of polyethylene naphthalate and the outer layer of post consumer recycled polyethylene terephthalate. In another practice, the thermoforming is performed to provide the inner layer of polyethylene naphthalate between the inner layer of virgin polyethylene terephthalate and the outer layer of post consumer recycled polyethylene terephthalate.

20 The objects, features and advantages of the present invention are readily apparent from the following detailed description of the best modes for carrying out the invention when taken in connection with the accompanying drawings.

BRIEF DESCRIPTION OF DRAWINGS

25 FIGURE 1 is a partially broken away side elevational view of a plastic blow molded container formed from a preform according to the present invention;

30 FIGURE 2 is an elevational sectional view of one embodiment of a preform that is constructed in accordance with the present invention to include an inner layer of polyethylene naphthalate and an outer layer of virgin polyethylene terephthalate;

-7-

FIGURE 3 is an elevational view taken in section of another embodiment of the preform which includes an inner layer of polyethylene naphthalate, a further inner layer of virgin polyethylene terephthalate
5 and an injection molded outer layer of post consumer recycled polyethylene terephthalate with the inner layer of virgin polyethylene terephthalate located between the inner layer of polyethylene naphthalate and the injection molded outer layer of post consumer recycled
10 polyethylene terephthalate;

FIGURE 4 is an elevational sectional view of another embodiment of the preform which includes an inner layer of polyethylene naphthalate, a further inner layer of virgin polyethylene terephthalate and an
15 injection molded outer layer of post consumer recycled polyethylene terephthalate with the inner layer of polyethylene naphthalate located between the inner layer of virgin polyethylene terephthalate and the injection molded outer layer of post consumer recycled
20 polyethylene terephthalate;

FIGURE 5 is a view that illustrates the method for making the FIG. 2 embodiment of the preform by thermoforming and subsequent injection molding;

FIGURE 6 is a view that illustrates the method
25 for making the preform embodiments of FIGS. 3 and 4 by thermoforming and subsequent injection molding;

FIGURE 7 illustrates the manner in which the method is performed in FIG. 6 to make the FIG. 3 embodiment of the preform wherein the inner layer of
30 polyethylene naphthalate is located inside of the inner layer of virgin polyethylene terephthalate; and

-8-

FIGURE 8 is a view that illustrates the manner in which the method is performed in FIG. 6 to make the FIG. 4 embodiment of the preform wherein the inner layer of virgin polyethylene terephthalate is located inside of the inner layer of polyethylene naphthalate.

BEST MODES FOR CARRYING OUT THE INVENTION

With reference to FIG. 1 of the drawings, a plastic blow molded container generally indicated by 10 is blow molded from a multi-layer preform constructed according to the present invention as is hereinafter more fully described. The plastic blow molded container 10 includes a cylindrical body portion 12 that extends vertically. An upper end closure 14 of the container is unitary with the upper extremity of the cylindrical body portion 12 and includes a dispensing spout which is illustrated as having a thread 16 for securing an unshown cap-type closure. The container also includes a freestanding base structure 18 unitary with the cylindrical body portion 12 to close its lower extremity. The freestanding base structure 18 further includes a plurality of downwardly projecting hollow legs 20 (only one shown) spaced circumferentially from each other with respect to the body portion. The freestanding base structure 18 also includes a plurality of curved ribs 22 (only one shown) spaced circumferentially from each other between the downwardly projecting legs 20. The freestanding base structure 18 of the container also includes a central hub 24 with the legs 20 and curved ribs 22 extending radially therefrom in a circumferentially alternating relationship to each other. Of course, it should be understood that while the container illustrated is of the freestanding type with legs and curved ribs, other freestanding containers without legs and curved ribs as well as containers that

-9-

have a lower base cup for support can also be blow molded from preforms according to the present invention as described below.

With reference to FIGS. 2, 3 and 4, three preferred embodiments of a multi-layer preform 26a, 26b and 26c used for plastic blow molding are each constructed with a vertically extending tubular shape having a lower closed end and has an upper open end from which the container 10 shown in FIG. 1 is blow molded. This blow molding is preferably performed by stretch blow molding to provide biaxial orientation of the container wall so as to have enhanced strength. While the multi-layer preforms 26a, 26b and 26c have different constructions as is hereinafter more fully described, each preform has an inner layer 28 of polyethylene naphthalate for providing a gas barrier and also has an injection molded outer layer 30 of polyethylene terephthalate which, upon blowing of the preform into the container as described above, has reduced transmission of gas due to the gas barrier provided by the inner layer of polyethylene naphthalate. As hereinafter more fully described, the inner layer 28 of polyethylene naphthalate is thermoformed which permits a relatively thin wall to be provided as compared to injection molding.

Polyethylene naphthalate has a greater ability to prevent gas transmission than does polyethylene terephthalate, especially with carbon dioxide and oxygen wherein only about 1/8 or so and 1/5 or so, respectively, of the gas will permeate through polyethylene naphthalate as compared to polyethylene terephthalate. It is also possible to provide stretch blow molding of polyethylene naphthalate so it can be biaxially oriented with the polyethylene terephthalate

-10-

in the multi-layer preform constructions disclosed. Furthermore, it should also be appreciated that polyethylene naphthalate can be hot filled and thus is useful for food processing or other processing whose contents are heated upon filing.

Each embodiment of the preform 26a, 26b and 26c may have the inner layer 28 of polyethylene naphthalate consisting essentially only of the polyethylene naphthalate or as a mixture of polyethylene naphthalate and a further resin. Possibilities of the further resin utilized are polyolefins, polyamides, polycarbonates, polyesteramides, polyesters and combinations of these resins. More specifically, the use of polyethylene terephthalate which is a polyester while reducing the gas barrier properties somewhat still allows the polyethylene naphthalate to function as a gas barrier while decreasing the extent of the polyethylene naphthalate required so as to permit recycling of the used container and limiting the extent of non-polyethylene terephthalate as part of the container. Such limitation of the non-polyethylene terephthalate percentage of the container allows it to fall into a more select classification as part of the recycling. More specifically, for a certain classification, it is necessary for the non-polyethylene terephthalate to be less than about 1 1/2% by weight of the total container weight.

With specific reference to FIG. 2, the multi-layer preform 26a has the outer layer 30 of polyethylene terephthalate injection molded from virgin polyethylene terephthalate. Furthermore, the inner layer 28 of polyethylene naphthalate of this embodiment of the preform and the outer layer 30 of virgin polyethylene terephthalate have a direct interface with each other.

-11-

With this construction, the extent of polyethylene naphthalate utilized need only be sufficient to provide the required gas barrier properties for the resultant container. As such, the amount of polyethylene naphthalate can be reduced as permitted to meet recycling classifications. Furthermore, since the end closure 14 of the resultant container is thicker than the rest of the container and the outer layer 30 is virgin polyethylene terephthalate, the inner layer 28 of polyethylene naphthalate can terminate below the upper extremity of the outer layer 30 of polyethylene terephthalate without greatly reducing the gas barrier capability of the container and while still allowing the container to be used for food or beverages.

With reference to FIGS. 3 and 4, each of the embodiments of the preform 26b and 26c has the outer layer 30 thereof injection molded from post consumer recycled polyethylene terephthalate. Each of the embodiments of the preform 26b and 26c also includes a further inner layer 32 of virgin polyethylene terephthalate that cooperates with the inner layer 28 of polyethylene naphthalate in separating the outer layer 30 of post consumer recycled polyethylene terephthalate from the contents of the container that is blow molded from the preform. With the FIG. 3 embodiment of the preform 26b, the further inner layer 32 of virgin polyethylene terephthalate is located between the inner layer 28 of polyethylene naphthalate and the outer layer 30 of post consumer recycled polyethylene terephthalate. With the FIG. 4 embodiment of the preform 26c, the inner layer 28 of polyethylene naphthalate is located between the inner layer 32 of virgin polyethylene terephthalate and the outer layer 30 of post consumer recycled polyethylene terephthalate. Use of the further inner layer 32 of virgin polyethylene terephthalate in

-12-

cooperation with the inner layer 28 of polyethylene naphthalate in both the FIG. 2 and the FIG. 3 embodiments of the preform allows minimal use of the polyethylene naphthalate to provide the required gas barrier needed while still providing wall thickness separation from the outer layer 30 of post consumer recycled polyethylene terephthalate in order to meet standards set by regulatory agencies in connection with containers made from recycled resin.

10 With reference to FIGS. 5 and 6, apparatus 34a and 34b,c respectively operate to perform the method for making a multi-layer preform used for plastic blow molding as illustrated by the embodiment 26a of FIG. 2 and the embodiments 26b and 26c of FIGS. 3 and 4. More specifically, each of the embodiments of the apparatus 15 34a and 34b,c includes a thermoforming station 36 for thermoforming a sheet 38 of polyethylene naphthalate to provide the inner layer 28 of polyethylene naphthalate with the elongated tubular construction having a closed 20 end and an open end as previously described in connection with FIGS. 2-4. Suitable heaters 40 heat the sheet 28 of polyethylene naphthalate which is essentially a film of the required thickness prior to the thermoforming at the thermoforming station 36. 25 Rolls 42 move the sheet 38 of polyethylene naphthalate along the apparatus from the left toward the right as illustrated. After the thermoforming as is hereinafter more fully described, the sheet 38 of polyethylene naphthalate is moved to a trimming station 44 where the 30 upper open end of the inner layer 28 of polyethylene naphthalate is cut from the rest of the sheet for subsequent transfer as is hereinafter more fully described to an injection molding machine 46. Thereafter, the injection molding of the outer layer of 35 polyethylene terephthalate is performed around the inner

-13-

layer of polyethylene naphthalate which, as previously described, limits the transmission of gas through the outer layer of polyethylene terephthalate upon blowing of the resultant preform into a container.

5 Use of the apparatus 34a as illustrated in FIG. 5 is performed with the sheet 38 of the polyethylene naphthalate thermoformed by itself at the thermoforming station 36 prior to being trimmed at the trimming station 44 and transferred to the injection
10 molding machine 46 where the outer layer 30 of polyethylene terephthalate is injection molded. More specifically, in order to maintain as little polyethylene naphthalate as possible as part of the preform, it is preferable for the apparatus 34a to
15 perform the method by injection molding the outer layer 30 from virgin polyethylene terephthalate.

Apparatus 34b,c illustrated in FIG. 6 is utilized to make the embodiment of the preform 26b shown in FIG. 3 or the embodiment 26c shown in FIG. 4 by
20 thermoforming a further sheet 48 of virgin polyethylene terephthalate to provide the further inner layer 32 that has a direct interface with the inner layer 28 of polyethylene naphthalate such that the subsequent injection molding is performed about the inner layers
25 and can utilize post consumer recycled polyethylene terephthalate while still having the required thickness between the container contents and the recycled plastic. More specifically, the sheet 38 of polyethylene naphthalate and the sheet 48 of virgin polyethylene
30 terephthalate are thermoformed at the thermoforming station 36 simultaneously with each other. Subsequently, the thermoformed sheets 38 and 48 of polyethylene naphthalate and virgin polyethylene terephthalate are transferred together with each other

-14-

to the mold 50 of the injection molding machine 46 for the injection molding of the post consumer recycled polyethylene terephthalate that provides the outer layer 30.

5 Apparatus 34b,c shown in FIG. 6 is utilized as illustrated with the sheet 38 of polyethylene naphthalate positioned above the sheet 48 of virgin polyethylene terephthalate as also shown in FIG. 7 so that the thermoforming is performed to provide the inner
10 layer 32 of virgin polyethylene terephthalate between the inner layer 28 of polyethylene naphthalate and the outer layer 30 of post consumer recycled polyethylene terephthalate in accordance with the embodiment of the preform 26b shown in FIG. 3.

15 Apparatus 34b,c shown in FIG. 6 is utilized with the respective positions of the sheet 38 of polyethylene naphthalate and the sheet 48 of virgin polyethylene terephthalate reversed as illustrated in FIG. 8 such that the thermoforming is performed to
20 provide the inner layer 28 of polyethylene naphthalate between the inner layer 32 of virgin polyethylene terephthalate and the outer layer 30 of post consumer recycled polyethylene terephthalate.

With combined reference to FIGS. 5 and 6, the
25 thermoforming station 36 has lower and upper mold members 52 and 54 which are moved between the open phantom line indicated positions and the closed solid line indicated positions along the directions of arrows 56 and 58 to perform the thermoforming and then release
30 the thermoformed inner layer or layers for the trimming and subsequent injection molding. It should be noted that multiple preform inner layers are simultaneously thermoformed, trimmed and then injection molded for

-15-

efficiency. More specifically, the thermoforming is most efficiently performed in multiple numbers that facilitate effective transfer to the particular injection molding machine 46 where multiple preforms are injection molded. Each cycle of the thermoforming commences with the lower and upper mold members 52 and 54 in their phantom line indicated positions whereupon movement of these mold members toward each other forms the heated sheet into the inner layer 28 of polyethylene naphthalate by itself as shown in FIG. 5 or along with the further inner layer 32 of virgin polyethylene terephthalate as shown in FIG. 6, preferably with multiple formings taking place upon each stroke as described above.

With further reference to FIGS. 5 and 6, after the thermoforming as previously described, the sheet 38 of polyethylene naphthalate by itself as illustrated in FIG. 5 or along with the sheet 48 of virgin polyethylene terephthalate as illustrated in FIG. 6 is moved by the associated rolls 42 to the trimming station 44 where lower and upper trimming members 60 and 62 are located. These lower and upper trimming members 60 and 62 are moved toward and away from each other as illustrated by arrows 64 and 66 such that sharp cutters 68 thereof separate the upper open end of each inner layer from the rest of the associated sheet. The lower member 60 preferably has vacuum passages 70 through which a vacuum is drawn to hold the trimmed inner layers to this member prior to transfer thereof by a suitable actuator 72 to the injection molding machine 44 where positioning of each inner layer within the mold 50 thereof for the injection molding of the outer layer 30 of polyethylene terephthalate as previously described.

-16-

The polyethylene terephthalate multi-layer preforms 26b and 26c respectively, illustrated in FIGS. 3 and 4 have an outer layer 30 of post consumer recycled polyethylene terephthalate which by weight is greater than about 75% of the total weight of the preform, as compared with a maximum of about 50% with conventional preforms. In the preferred construction of the preforms 26b and 26c, the injection molded outer layer 30 of post consumer recycled polyethylene terephthalate by weight is greater than about 85% of the total weight of the preform, is most preferably in the range of about 88-92% of the total weight of the preform, and optimally is about 90% of the total weight of the preforms. More specifically, the construction of the multi-layer preforms 26b and 26c with the inner layer 28 of polyethylene naphthalate and the inner layer 32 of virgin polyethylene terephthalate both thermoformed allows the greater use of post consumer recycled polyethylene terephthalate for the outer layer 30 than has been possible in the past.

While the best modes for carrying out the invention have been described in detail, those familiar with the art to which this invention relates will recognize various alternative ways of practicing the invention as described by the following claims.

-17-

WHAT IS CLAIMED IS:

1. A multi-layer preform used for plastic blow molding, comprising:
an inner layer of polyethylene naphthalate for
5 providing a gas barrier; and
an injection molded outer layer of polyethylene terephthalate which, upon blow molding of the preform into a container, has reduced transmission of gas due to the gas barrier provided by the inner
10 layer of polyethylene naphthalate.
2. A multi-layer preform used for plastic blow molding as in claim 1 wherein the inner layer consists essentially only of the polyethylene naphthalate.
- 15 3. A multi-layer preform used for plastic blow molding as in claim 1 wherein the inner layer is a mixture of the polyethylene naphthalate and a further resin.
4. A multi-layer preform used for plastic
20 blow molding as in claim 3 wherein the further resin is selected from the group consisting of polyolefins, polyamides, polycarbonates, polyesteramides, polyesters and combinations of the these resins.
5. A multi-layer preform used for plastic
25 blow molding as in claim 3 wherein the further resin is polyethylene terephthalate.
6. A multi-layer preform used for plastic blow molding as in claim 1 wherein the outer layer of polyethylene terephthalate is injection molded from
30 virgin polyethylene terephthalate.

-18-

7. A multi-layer preform used for plastic blow molding as in claim 6 wherein the inner layer of polyethylene naphthalate and the outer layer of virgin polyethylene terephthalate have a direct interface with each other.

8. A multi-layer preform used for plastic blow molding as in claim 1 wherein the outer layer is injection molded from post consumer recycled polyethylene terephthalate.

9. A multi-layer preform used for plastic blow molding as in claim 8 further comprising a further inner layer of virgin polyethylene terephthalate that cooperates with the inner layer of polyethylene naphthalate in separating the outer layer of post consumer recycled polyethylene terephthalate from contents of the container that is blow molded from the preform.

10. A multi-layer preform used for plastic blow molding as in claim 9 wherein the further inner layer of virgin polyethylene terephthalate is located between the inner layer of polyethylene naphthalate and the outer layer of post consumer recycled polyethylene terephthalate.

11. A multi-layer preform used for plastic blow molding as in claim 9 wherein the inner layer of polyethylene naphthalate is located between the inner layer of virgin polyethylene terephthalate and the outer layer of post consumer recycled polyethylene terephthalate.

12. A method for making a multi-layer preform used for plastic blow molding, the method comprising:

-19-

thermoforming a sheet of polyethylene naphthalate to provide an inner layer that functions as a gas barrier; and

5 injection molding an outer layer of polyethylene terephthalate around the inner layer of polyethylene naphthalate which limits the transmission of gas through the outer layer of polyethylene terephthalate upon blow molding of the preform into a container.

10 13. A method for making a multi-layer preform used for plastic blow molding as in claim 12 wherein the injection molding of the outer layer is performed with virgin polyethylene terephthalate that has a direct interface with the inner layer of polyethylene
15 naphthalate.

14. A method for making a multi-layer preform used for plastic blow molding as in claim 12 wherein a sheet of virgin polyethylene terephthalate is thermoformed to provide a further inner layer that has
20 a direct interface with the inner layer of polyethylene naphthalate, and the injection molding subsequently being performed about the inner layers utilizing post consumer recycled polyethylene terephthalate.

15. A method for making a multi-layer preform
25 used for plastic blow molding as in claim 14 wherein the sheets of polyethylene naphthalate and virgin polyethylene terephthalate are thermoformed simultaneously with each other.

16. A method for making a multi-layer preform
30 used for plastic blow molding as in claim 15 wherein the thermoformed sheets of polyethylene naphthalate and virgin polyethylene terephthalate are transferred

-20-

together with each other to the injection mold for the injection molding of the post consumer recycled polyethylene terephthalate.

17. A method for making a multi-layer preform
5 used for plastic blow molding as in claim 16 wherein the thermoforming is performed to provide the inner layer of virgin polyethylene terephthalate between the inner layer of polyethylene naphthalate and the outer layer of post consumer recycled polyethylene terephthalate.

10 18. A method for making a multi-layer preform used for plastic blow molding as in claim 16 wherein the thermoforming is performed to provide the inner layer of polyethylene naphthalate between the inner layer of virgin polyethylene terephthalate and the outer layer of
15 post consumer recycled polyethylene terephthalate.

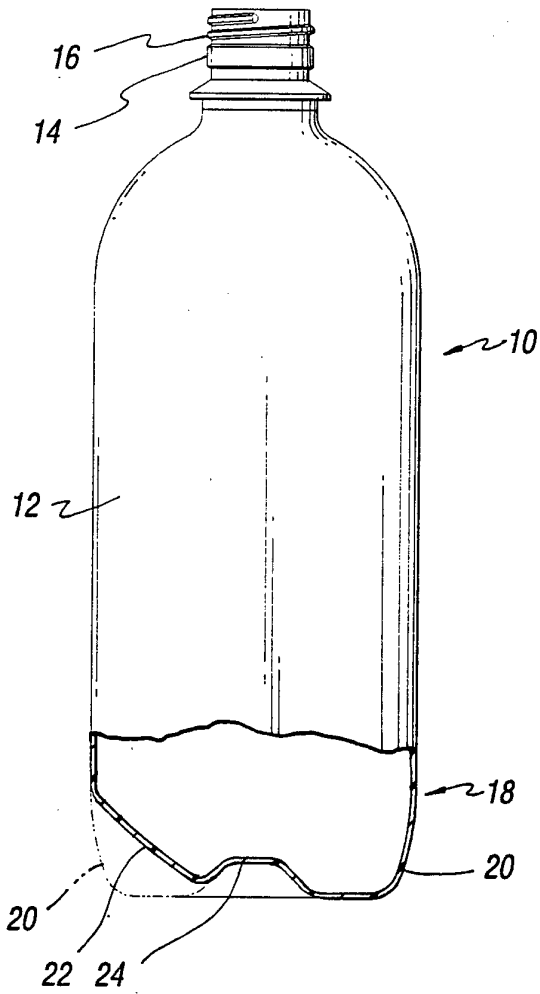


Fig. 1

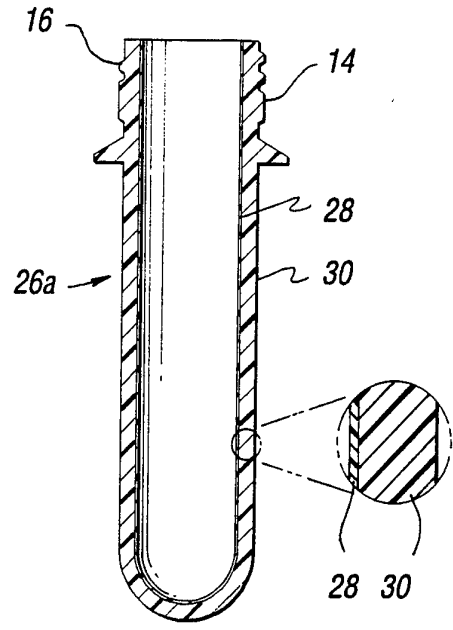


Fig. 2

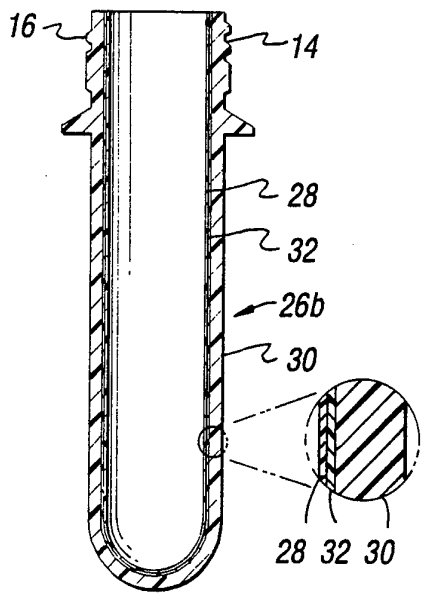


Fig. 3

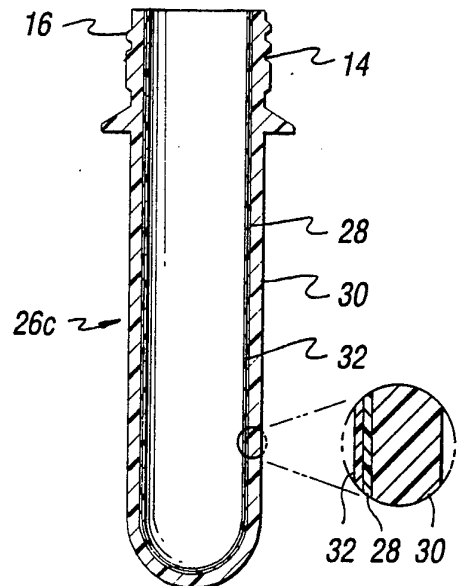


Fig. 4

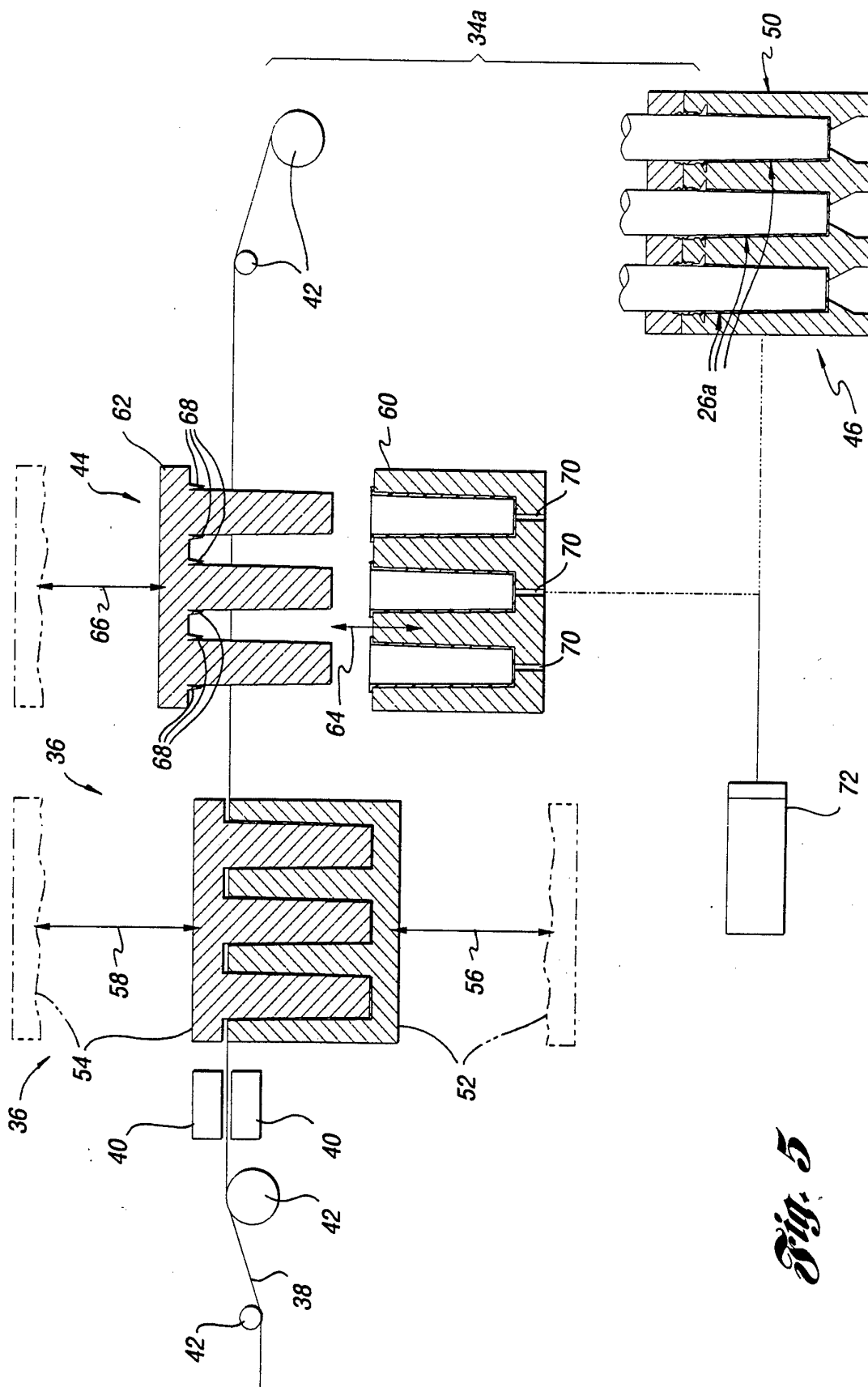


Fig. 5

INTERNATIONAL SEARCH REPORT

International application No.
PCT/US94/09876

A. CLASSIFICATION OF SUBJECT MATTER

IPC(6) :B65D 1/00

US CL :428/36.91

According to International Patent Classification (IPC) or to both national classification and IPC

B. FIELDS SEARCHED

Minimum documentation searched (classification system followed by classification symbols)

U.S. : 428/36.91, 35.7, 542.8, 903.3; 264/511, 513, 279, 259, 255, 37; 215/1C

Documentation searched other than minimum documentation to the extent that such documents are included in the fields searched

Electronic data base consulted during the international search (name of data base and, where practicable, search terms used)

C. DOCUMENTS CONSIDERED TO BE RELEVANT

Category*	Citation of document, with indication, where appropriate, of the relevant passages	Relevant to claim No.
X	US, A, 4,067,944 (VALYI) 10 January 1978, col. 3, line 25 to col. 4, line 15.	12-18
Y	US, A, 4,560,741 (DAVIS ET AL) 24 December 1985, col. 2, line 37.	1-11
Y	US, A, 4,741,936 (NOHARA ET AL) 03 May 1988, col. 4, lines 18-58.	1-11
Y	US, A, 4,646,925 (NOHARA) 03 March 1987, col. 4, lines 6-52.	1-11
Y	GB, A, 2 221 165 (THE PROCTER & GAMBLE COMPANY), 28 June 1989, page 4, lines 17-30.	1-11

Further documents are listed in the continuation of Box C. See patent family annex.

* Special categories of cited documents:	"T" later document published after the international filing date or priority date and not in conflict with the application but cited to understand the principle or theory underlying the invention
"A" document defining the general state of the art which is not considered to be part of particular relevance	"X" document of particular relevance; the claimed invention cannot be considered novel or cannot be considered to involve an inventive step when the document is taken alone
"E" earlier document published on or after the international filing date	"Y" document of particular relevance; the claimed invention cannot be considered to involve an inventive step when the document is combined with one or more other such documents, such combination being obvious to a person skilled in the art
"L" document which may throw doubts on priority claim(s) or which is cited to establish the publication date of another citation or other special reason (as specified)	"&" document member of the same patent family
"O" document referring to an oral disclosure, use, exhibition or other means	
"P" document published prior to the international filing date but later than the priority date claimed	

Date of the actual completion of the international search

30 NOVEMBER 1994

Date of mailing of the international search report

09 JAN 1995

Name and mailing address of the ISA/US
Commissioner of Patents and Trademarks
Box PCT
Washington, D.C. 20231

Facsimile No. (703) 305-3230

Authorized officer

Charles R. Nold for
CHARLES R. NOLD

Telephone No. (703) 308-2351