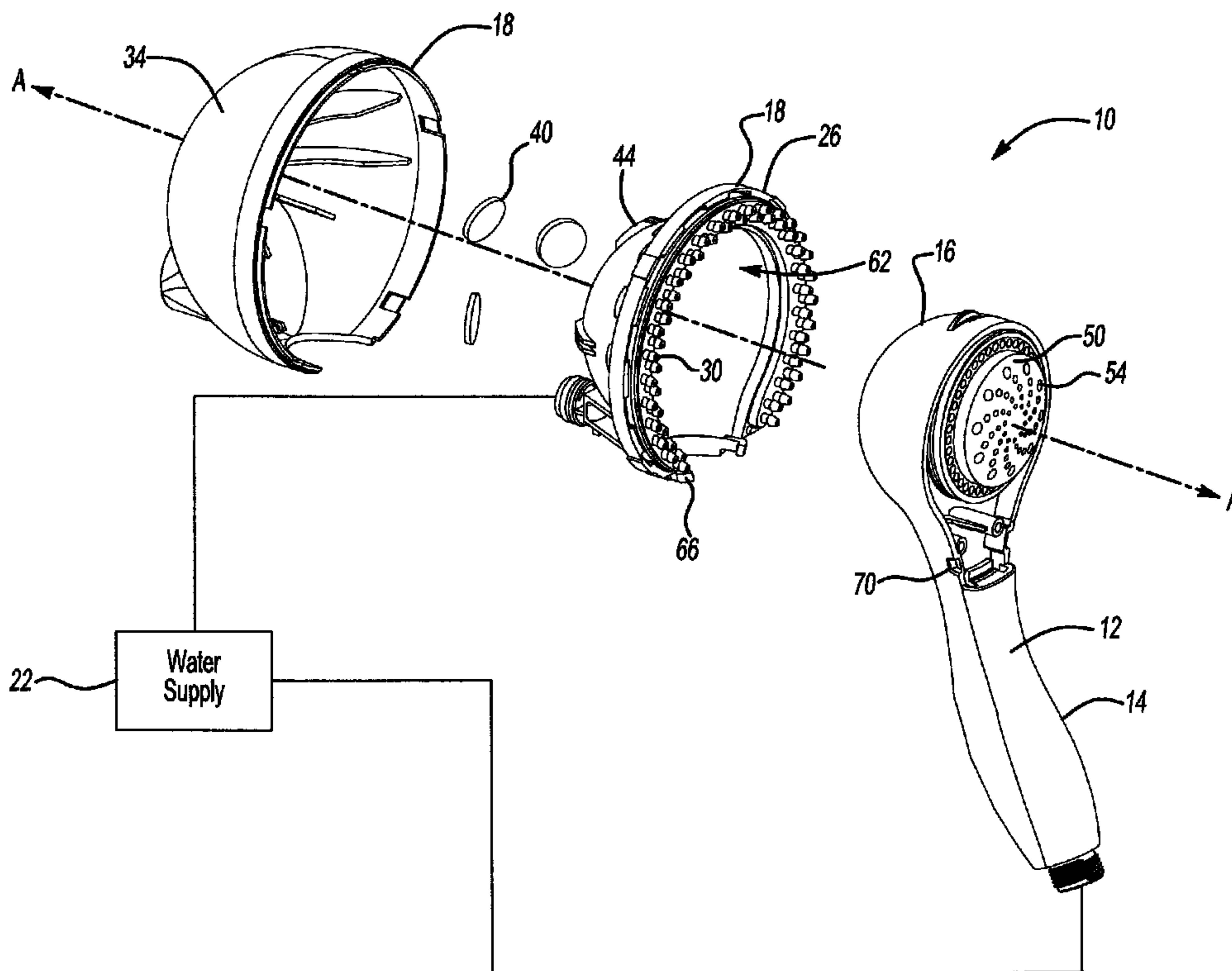




(22) Date de dépôt/Filing Date: 2008/06/26  
(41) Mise à la disp. pub./Open to Public Insp.: 2009/01/05  
(30) Priorité/Priority: 2007/07/05 (US60/958,412)

(51) Cl.Int./Int.Cl. *B05B 15/00* (2006.01),  
*A47K 3/28* (2006.01), *F16B 1/00* (2006.01)  
(71) Demandeur/Applicant:  
ALSONS CORPORATION, US  
(72) Inventeurs/Inventors:  
GENORD, DANIEL S., US;  
MILLER, MICHAEL A., US;  
DAUNTER, DOMINIC J., US;  
GIGGS, JULIAN, US;  
HOERNIG, VICTOR, US;  
PATTERSON, CHARLES, US  
(74) Agent: GOWLING LAFLEUR HENDERSON LLP

(54) Titre : MONTAGE DE SUPPORT DE DOUCHETTE  
(54) Title: HANDHELD SHOWER DOCKING ARRANGEMENT



(57) Abrégé/Abstract:

An example shower assembly includes a base, a moveable spray head, a magnet, and a member attractable to the magnet. The magnet attracts the member to hold the moveable spray head relative to the base.

**ABSTRACT**

An example shower assembly includes a base, a moveable spray head, a magnet, and a member attractable to the magnet. The magnet attracts the member to hold the moveable spray head relative to the base.

## **HANDHELD SHOWER DOCKING ARRANGEMENT**

### **CROSS-REFERENCE TO RELATED APPLICATIONS**

This application claims priority to United States Provisional Application No.  
5 60/958412, which was filed on 5 July 2007 and is incorporated herein by reference.

### **BACKGROUND**

This application relates to an arrangement for securing a handheld shower.

As known, bathing areas frequently include a shower assembly. Moving  
10 water through apertures in a showerhead of the shower assembly generates a  
showering spray of water within a bathing area. Adjusting the position of the  
shower assembly adjusts the spray of water. Adjustments include changing the size  
of the apertures, the water flow through the showerhead, or both.

Some shower assemblies include a handheld shower, which can direct a  
15 spray of water separate from the spray of water exiting the showerhead. The  
handheld shower is typically removeably mounted or docked to another portion of  
the shower assembly. A user undocks and moves the handheld shower within the  
bathing area to change the direction and location of the spray of water. Some of  
these shower assemblies deliver water to the bathing area through both the  
20 showerhead and the handheld shower.

As known, the handheld shower moves between mounted and unmounted  
positions in a wet, often slippery, environment. Complex handheld shower  
mounting arrangements can provide a secure connection between the handheld  
shower and the other portions of the shower assembly, but such connections are  
25 often are costly and difficult to clean. Many handheld shower mounting  
arrangements are also complex and difficult to install.

### **SUMMARY**

An example shower assembly includes a base, a moveable spray head, a  
30 magnet, and a member attractable to the magnet. The magnet attracts the member to  
hold the moveable spray head relative to the base.

An example docking arrangement for a handheld shower includes a base, a handheld shower extending longitudinally in a first direction, and a tapered section that tapers from a first width to a second width smaller than the first width. At least one of the base and the handheld shower includes the tapered section. The other of  
 5 the base and the handheld shower defines a slot that receives the tapered section. The handheld shower contacts the base to limit movement of the handheld shower away from the base when the tapered section is moved in the first direction within the slot.

An example handheld shower docking arrangement includes a handheld  
 10 shower having a neck portion and a head portion. A fixed portion holds the handheld shower. The fixed portion defines a notch for receiving the neck portion and an open area for receiving the head portion. The handheld shower contacts the fixed portion to limit movement of the handheld shower away from the base when the handheld shower is moved within the notch in a first direction.

15 These and other features of the example disclosure can be best understood from the following specification and drawings, the following of which is a brief description:

#### **BRIEF DESCRIPTION OF THE DRAWINGS**

20 Figure 1 illustrates an exploded view of an example shower assembly;  
 Figure 2A illustrates a perspective view of another example shower assembly in a disengaged position;  
 Figure 2B illustrates a front view of the Figure 2A shower assembly;  
 Figure 3A illustrates a perspective view of the Figure 2A shower assembly in  
 25 an engaged position without a conduit;  
 Figure 3B illustrates a front view of the Figure 3A shower assembly;  
 Figure 4A illustrates a perspective view of another example shower assembly in a disengaged position;  
 Figure 4B illustrates a front view the Figure 4A shower assembly;  
 30 Figure 5A illustrates a perspective view of the Figure 4A shower assembly in an engaged position without a conduit; and  
 Figure 5B illustrates a front view the Figure 5A shower assembly.

**DETAILED DESCRIPTION OF THE PREFERRED EMBODIMENT**

Referring to Figure 1, an example shower assembly 10 includes a handheld shower 12 having a handle 14 extending from a moveable spray head 16. The handheld shower 12 removeably engages or docks with a fixed spray head 18, a type of showerhead or base. A water supply 22 provides water to the moveable spray head 16 and the fixed spray head 18.

The fixed spray head 18 includes a cover portion 34 that is secured to a fixed location within a bathing area. A spray portion 26 of the fixed spray head 18 attaches to the cover portion 34 in a known manner. Water moves through a first plurality of apertures 30 within the spray portion 26 of the fixed spray head 18 to generate a spray of water within the bathing area. In one example, the fixed spray head 18 is pivotably attached within the bathing area.

The example fixed spray head 18 holds at least one magnet 40. In this example, the magnet 40 is positioned between the spray portion 26 and the cover portion 34 of the fixed spray head 18. The fixed spray head 18 is typically a polymer material and defines at least one recess 44 that accommodates and maintains the position of the magnet 40 relative other components. The magnet 40 generates a magnetic field extending from the fixed spray head 18.

In this example, the handheld shower 12 includes a plate 50, a type of member, defining a second plurality of apertures 54. Water moves from the water supply 22 through the apertures 54 to provide a spray of water within the bathing area. The plate 50 is typically a metallic material and threadably attaches to the moveable spray head 16, for example. Other examples utilize adhesive to secure the plate 50 to the moveable spray head 16. In still other examples, the plate 50 is housed within the handheld shower 12 and does not define the apertures 54.

The magnet 40 attracts the plate 50 toward the fixed spray head 18 to hold the handheld shower 12 relative to the fixed spray head 18. In this example, the magnet 40 holds the moveable spray head 16 within a recessed area 62 of the fixed spray head 18.

In one example, a user moves the moveable spray head 16 from the recessed area 62 by moving the handle 14 to guide the moveable spray head 16 away from the fixed spray head 18 along an axis A. Other arrangements of the magnet 40 are

possible and fall within the scope of this disclosure. For example, the moveable spray head 16 may include the magnet 40, which is then attracted to metal within the fixed spray head 18.

5 A person skilled in the art and having the benefit of this disclosure would be able to select the magnet 40 having sufficient magnetic force for holding the moveable spray head 16 within the recessed area 62 while still permitting the user to remove the moveable spray head 16 when applying force to the handle 14.

10 In addition to the magnet 40, the example shower assembly 10 includes a plurality of clips 66 receivable within respective grooves 70. In this example, opposing sides of the fixed spray head 18 each define one of the clips 66 and opposing sides of the moveable spray head each define one of the grooves 70. When the moveable spray head 16 is received within the recessed area 62, the clips 66 are received within the grooves 70. In this position, the clips 66 contact the portions of the moveable spray head 16 defining the grooves 70 to hold the position  
15 of the moveable spray head 16 relative to the fixed spray head 18. When the user desires to move the moveable spray head 16 relative to the fixed spray head 18, the user applies force to the handle 14 to flex the clips 66 out of the grooves 70, which allows movement of the moveable spray head 16 away from the recessed area 62 of the fixed spray head 18. Although described in this example as including both  
20 magnets 40 and clips 66, other examples may include only clips 66 or only magnets 40. That is, the shower assembly 10 includes the magnets 40, the clips 66, or both.

Referring now to Figures 2A-3B, another example shower assembly 110 includes a handheld shower 112 having a handle 114 extending from a moveable spray head 116. The handheld shower 112 removeably mounts or docks to a fixed  
25 spray head 118, a type of base. The fixed spray head 118 mounts to a bathing area wall 120. The water supply 22 delivers water to the moveable spray head 116 and the fixed spray head 118 through the bathing area wall 120. A flexible conduit 121 communicates water to the moveable spray head 116 from the fixed spray head 118.

30 A mounting bracket 134 secures the fixed spray head 118 relative to the bathing area wall 120. In this example, the mounting bracket 134 includes a threaded connection 138 and a pivot 140, which facilitates pivoting portions of the fixed spray head 118 relative to the bathing area wall 120.

The fixed spray head 118 defines a slot 142 for receiving the moveable spray head 116 of the handheld shower 112. The slot 142 tapers from a wider end portion 146 to a narrower end portion 150. The moveable spray head 116 similarly tapers from a wider end portion 154 to a narrower end portion 158. In this example, the profile of the moveable spray head 116 is the same general profile as that of the slot 142. Other examples include other types of tapered and wedged relationships between the handheld shower 112 and the fixed spray head 118. For example, another arrangement may include tapering the handle 114 instead of, or in addition to, the moveable spray head 116. Still other examples may include defining the slot 142 with the moveable spray head 116.

In this example, to dock the handheld shower 112, a user positions the narrower end portion 158 of the moveable spray head within the wider end portion 154 of the slot 142 and then slides the moveable spray head 116 in the direction shown. In an engaged position, the moveable spray head 116 contacts at least some of the sides of the fixed spray head 118 that define the slot 142, which limits further movement of the handheld shower 112 in the direction shown.

Removing the handheld shower 112 from the fixed spray head 118 allows the user to direct spray from the handheld shower 112 to other portions of the bathing area. A user slides the handheld shower 112 within the slot 142 opposite the direction shown to remove the handheld shower 112.

In this example, some of the sides that define the slot 142 include tabs 160, which are received within apertures 162 defined by the moveable spray head 116 when the handheld shower 112 is in the docked or engaged position within the slot 142. The tabs 160 limit inadvertent disengagement of the moveable spray head 116 from the fixed spray head 118 and facilitate an aligned relationship between the handheld shower 112 and the fixed spray head 118 when the handheld shower 112 is docked.

The handle 114 on the moveable spray head 116 includes a valve control feature 164 that, when moved, actuates a valve (not shown) within the handheld shower 112 to control water flow through a plurality of apertures 168. In this example, the fixed spray head 118 also includes a plurality of apertures 172 that

provide a spray of water separate from the spray of water exiting the handheld shower 112.

Referring now to Figures 4A-5B, another example shower assembly 210 includes a handheld shower 212 having a handle 214 extending from a moveable spray head 216. The moveable spray head 216 is removeably docked with a fixed spray head 218, a type of base. The water supply 22 delivers water to the moveable spray head 216 and the fixed spray head 218 through a water supply tube 226, which is fixed relative to the bathing area wall 120. A mounting bracket 234 is secured to the water supply tube 226 and receives water from the water supply 22. The fixed spray head 218 includes the mounting bracket 234, in this example. A threaded connection 238 secures the mounting bracket 234 to the water supply tube 226.

The fixed spray head 218 defines a slot 242 that receives the moveable spray head 216. The slot 242 tapers from a wider end portion 246 to a narrower end portion 250. The handheld shower 212 includes a section that similarly tapers from a wider end portion 254 to a narrower end portion 258. In this example, the profile of this section of the handle 214 is the same general profile as that of the slot 242.

To dock the handheld shower 212 with the fixed spray head 218, the user positions the narrower end portion 258 of the handheld shower 212 within the wider end portion 246 of the slot 242, and then slides the handheld shower 212 within the slot 242 in the direction shown. In this example, the handheld shower 212 contacts the sides of the fixed spray head 218 that define the slot 242 to limit further movement of the handheld shower 212 in the direction shown. The moveable spray head 216 also contacts the fixed spray head 218 to limit movement as the fixed spray head 218 includes the wider end portion 246. The user slides the handheld shower 212 within the slot in an opposite direction to remove the handheld shower 212. The fixed spray head 218 may include a plurality of tabs 262 or extensions for stabilizing the handheld shower 212 when docked or when the handheld shower 212 is moving to the docked position.

A valve control 264 on the moveable spray head 216 actuates a valve (not shown) within the fixed spray head 218 to control water flow through a plurality of apertures 268. In this example, both the fixed spray head 218 and the moveable spray head 216 include some of the plurality of apertures 268.

Although a preferred embodiment of this invention has been disclosed, a worker of ordinary skill in this art would recognize that certain modifications would come within the scope of this invention. For that reason, the following claims should be studied to determine the true scope and content of this invention.

**CLAIMS**

1. A shower assembly comprising:  
a base;  
5 a moveable spray head;  
at least one magnet; and  
a member, wherein the at least one magnet attracts the member to hold the  
moveable spray head relative to the base.
- 10 2. The shower assembly of claim 1, wherein the member is secured to the  
moveable spray head.
3. The shower assembly of claim 1, wherein the member comprises a plate  
defining apertures for directing a spray of water from the moveable spray head.
- 15 4. The shower assembly of claim 1, wherein the at least one magnet is housed  
between the base and the moveable spray head.
5. The shower assembly of claim 1, wherein the at least one magnet includes  
20 more than one magnet annularly arranged about an axis defined by the base.
6. The shower assembly of claim 1, wherein both the base and the moveable  
spray head define apertures for controlling water spray.
- 25 7. The shower assembly of claim 1, wherein the base defines a recess that  
accommodates the at least one magnet.

8. A shower assembly comprising:  
a base;  
a moveable spray head;  
at least one clip extending from at least one of the base and the moveable  
5 spray head, wherein the clip is received within a groove defined by the other one of  
the base and the moveable spray head to hold the moveable spray head relative to  
the base.
9. The shower assembly of claim 8, including at least one magnet that attracts a  
10 member to hold the moveable spray head relative to the base.
10. The shower assembly of claim 8, wherein the clips are flexible relative to the  
at least one of the base and the moveable spray head.
- 15 11. A docking arrangement for a handheld shower comprising:  
a base;  
a handheld shower extending longitudinally in a first direction; and  
a tapered section that tapers from a first width to a second width smaller than  
the first width, wherein at least one of the base and the handheld shower includes the  
20 tapered section and the other of the base and the handheld shower defines a slot for  
receiving the tapered section, wherein the handheld shower contacts the base to limit  
movement of the handheld shower away from the base when the tapered section is  
moved in the first direction within the slot.
- 25 12. The docking arrangement of claim 11, wherein both the handheld shower  
and the base define apertures for controlling a spray of water.
13. The docking arrangement of claim 11, wherein the slot is a longitudinal slot  
that tapers from a larger slot portion to a smaller slot portion, wherein the smaller  
30 slot portion is narrower than the first width.

14. The docking arrangement of claim 11, wherein the handheld shower is free to move in a second direction, opposite the first direction, when the handheld shower is received within the slot.

5 15. The docking arrangement of claim 11, wherein the handheld shower includes the tapered section.

16. The docking arrangement of claim 15, wherein the handheld shower comprises a moveable spray head that includes the tapered section.

10

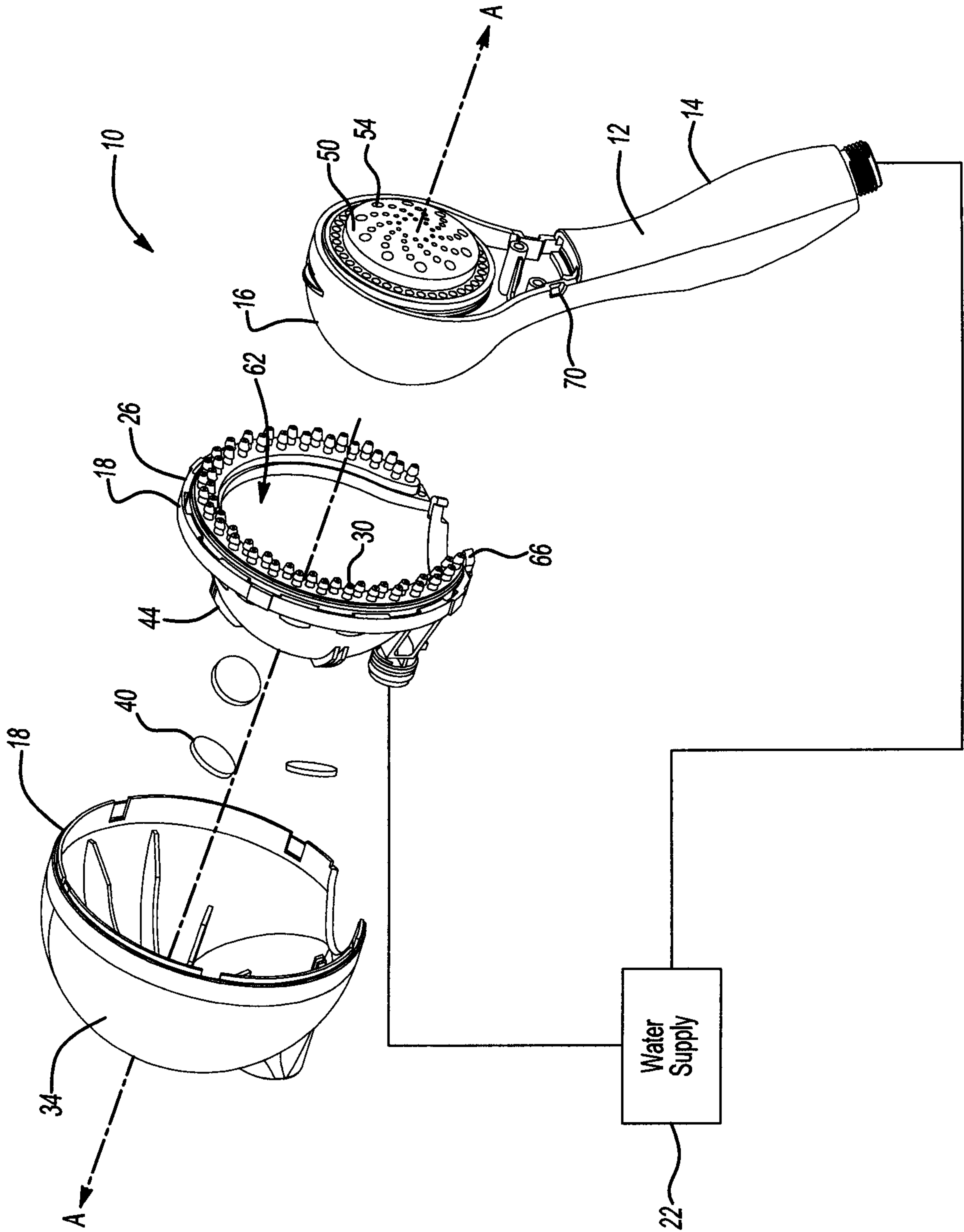
17. The docking arrangement of claim 11, wherein the tapered section includes tabs that are received within apertures to limit relative movement between the base and the handheld shower.

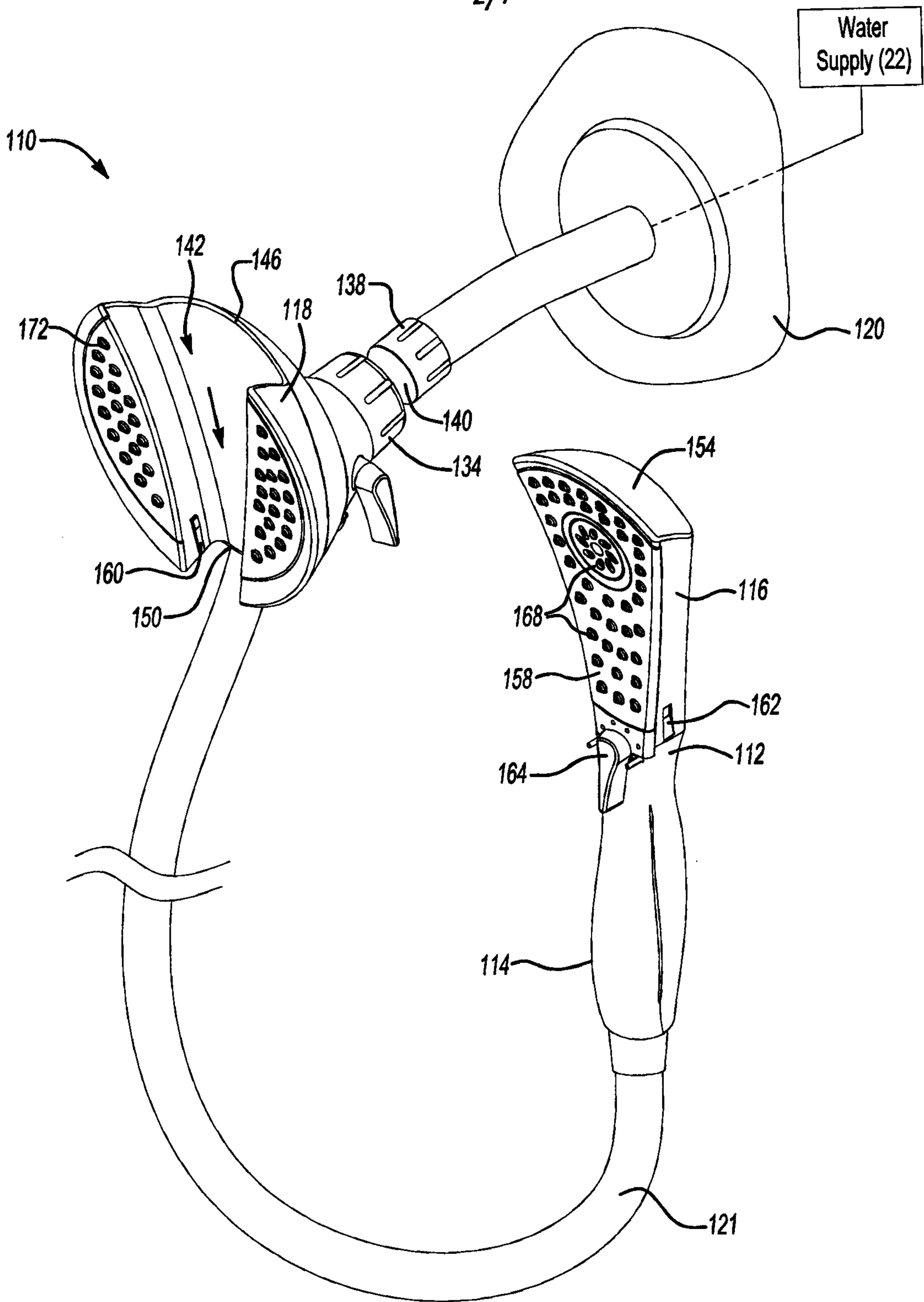
15 18. A handheld shower docking arrangement comprising:  
a handheld shower having a neck portion and a head portion; and  
a fixed portion for holding the handheld shower, the fixed portion defining a notch for receiving the neck portion and an open area for receiving the head portion,  
the handheld shower contacting the fixed portion to limit movement of the handheld  
20 shower away from the base when the handheld shower is moved within the notch in a first direction.

19. The docking arrangement of claim 18, wherein the notch receives the neck portion of the handheld shower and the head portion contact the base to limit  
25 movement of the handheld shower away from the fixed portion.

20. The docking arrangement of claim 18, wherein the fixed portion is configured to pivot relative to a water supply pipe.

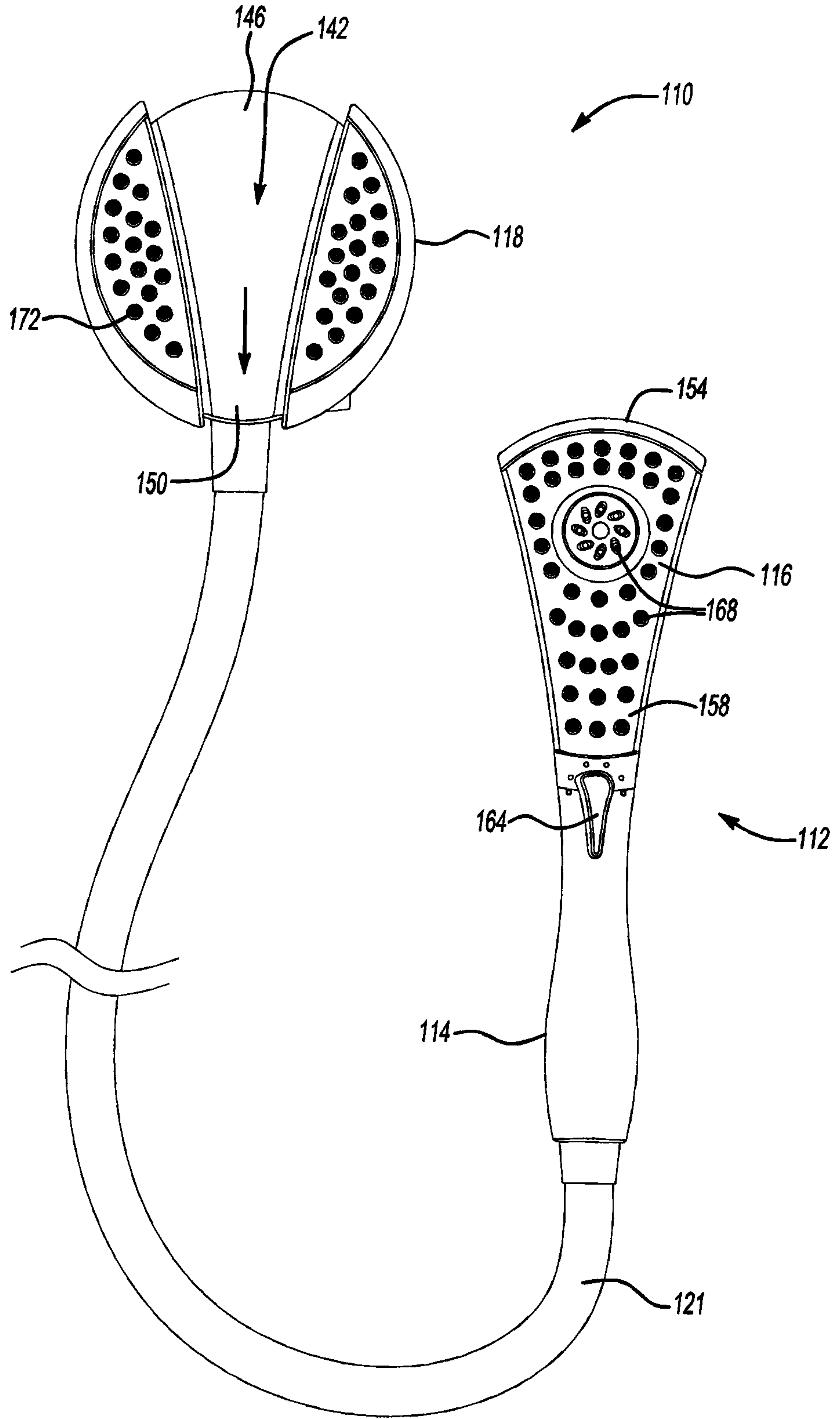
**Fig-1**





**Fig-2A**

3/7

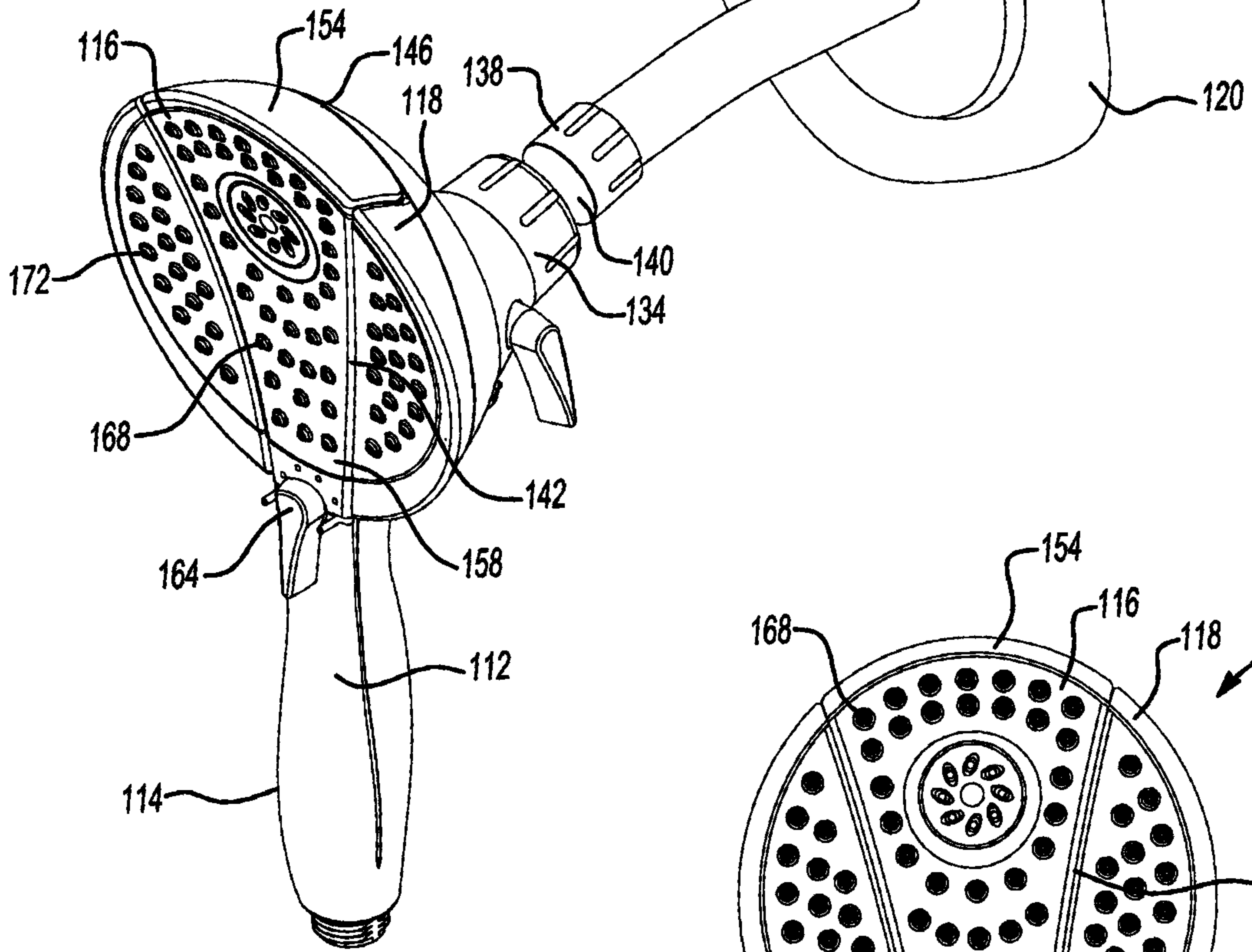


**Fig-2B**

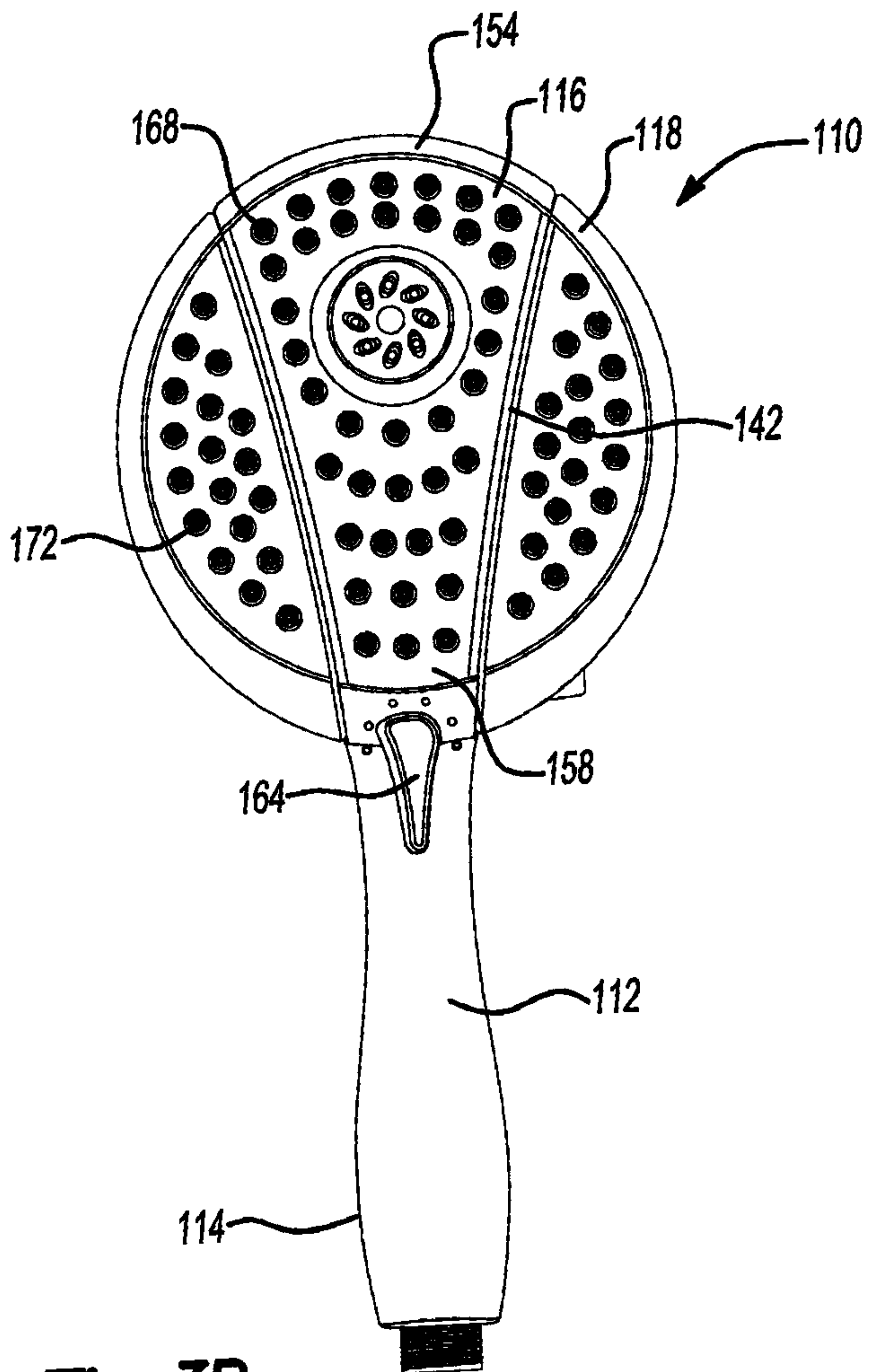


110

Water Supply (22)

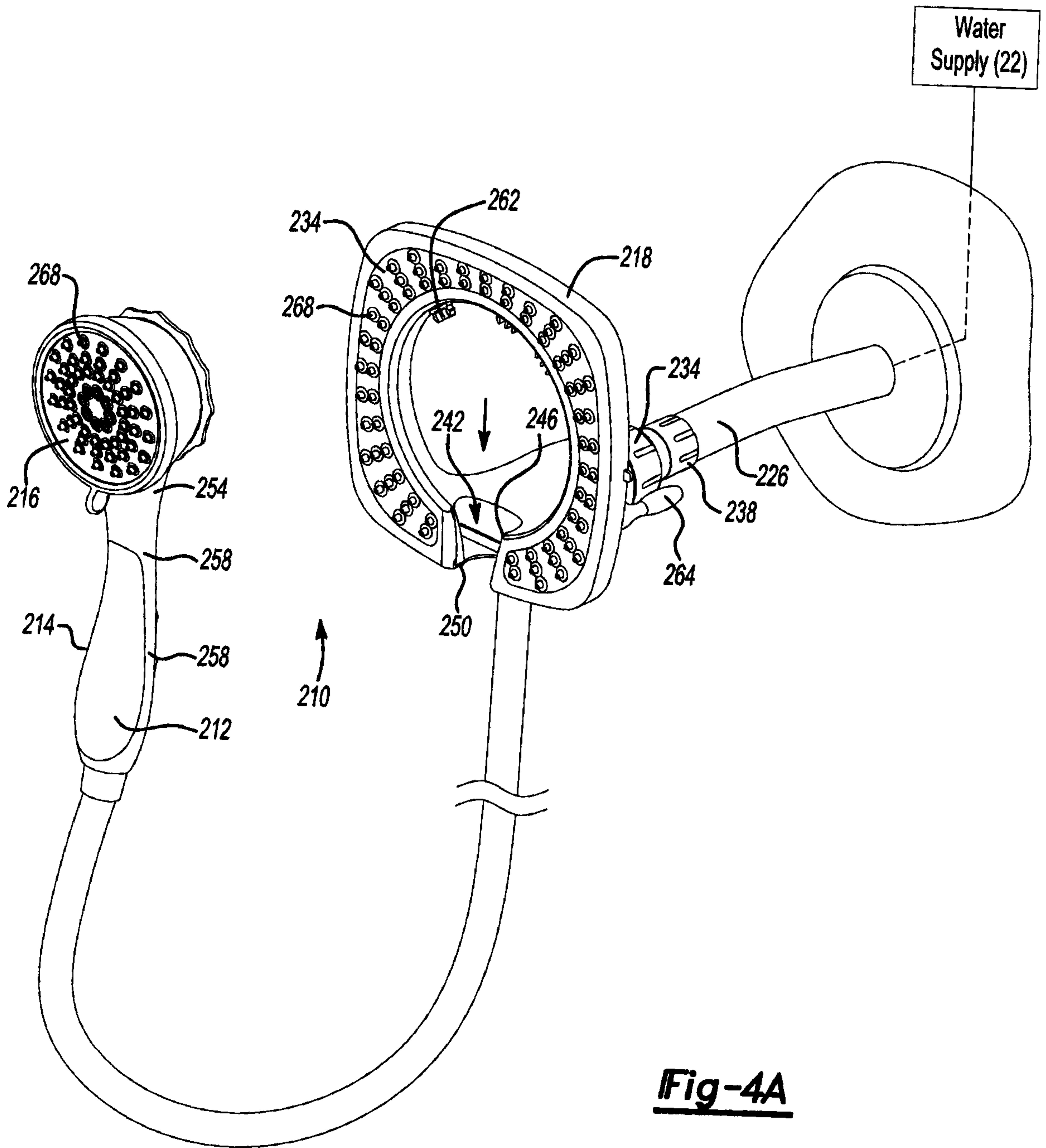


**Fig-3A**

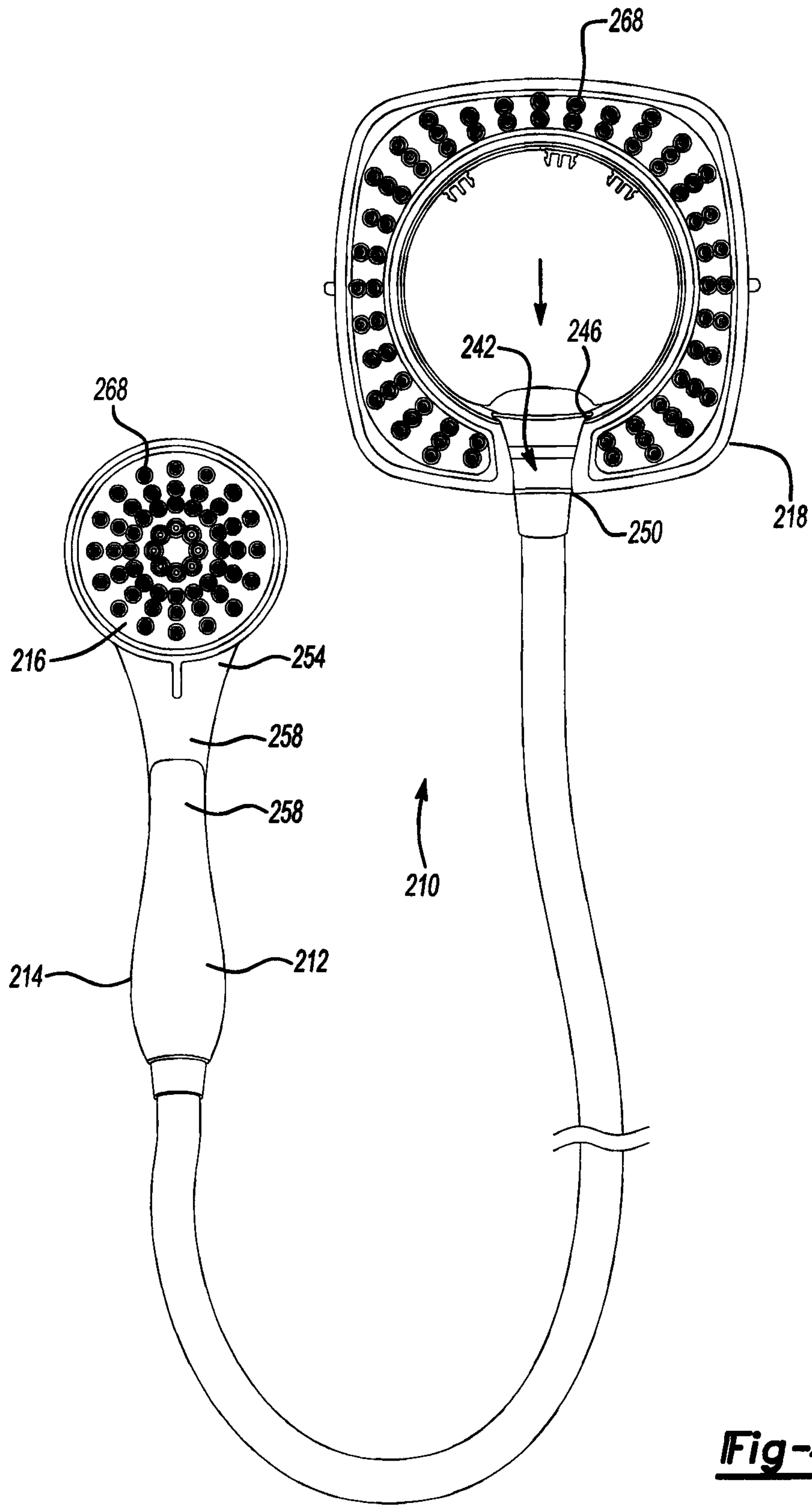


**Fig-3B**

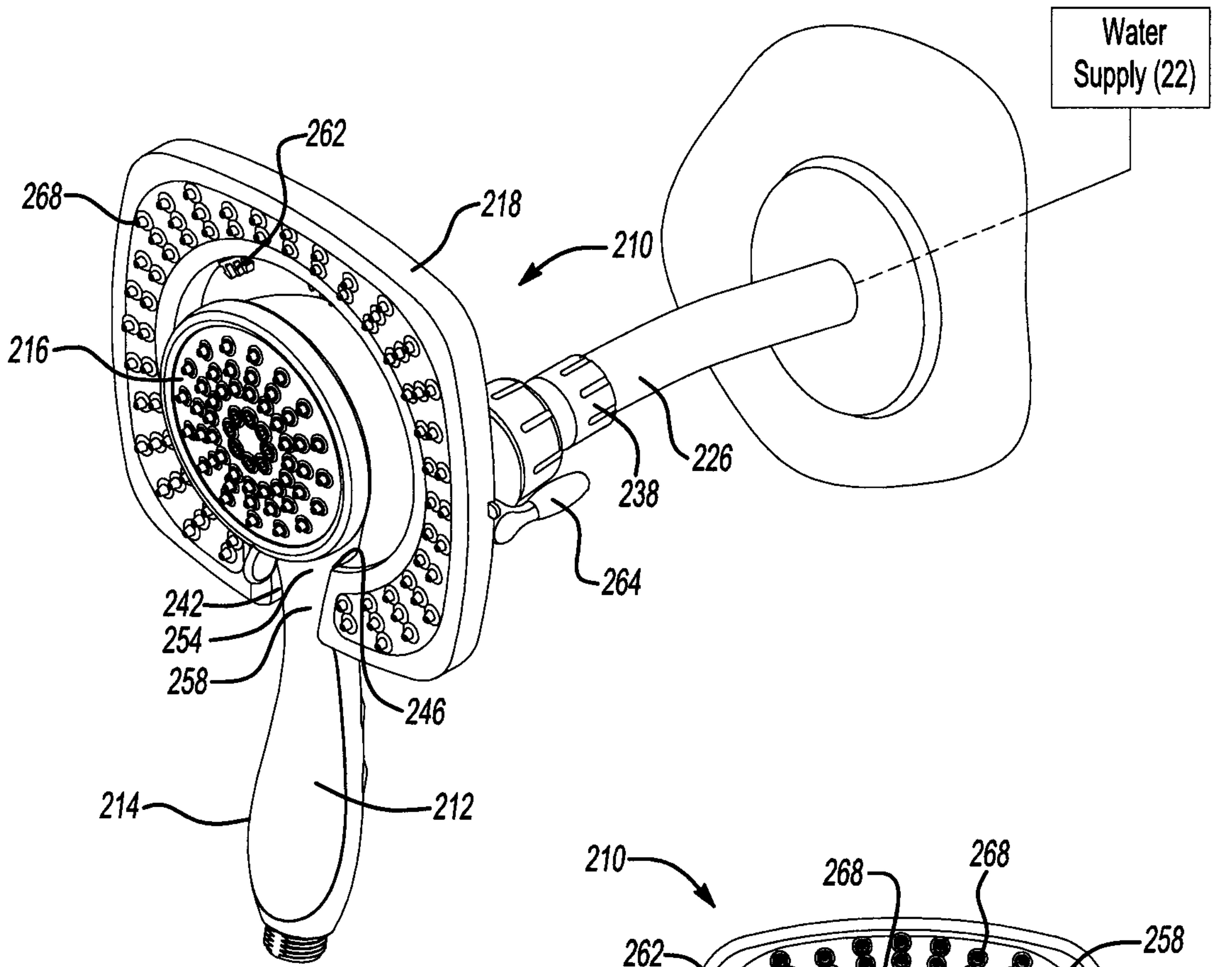




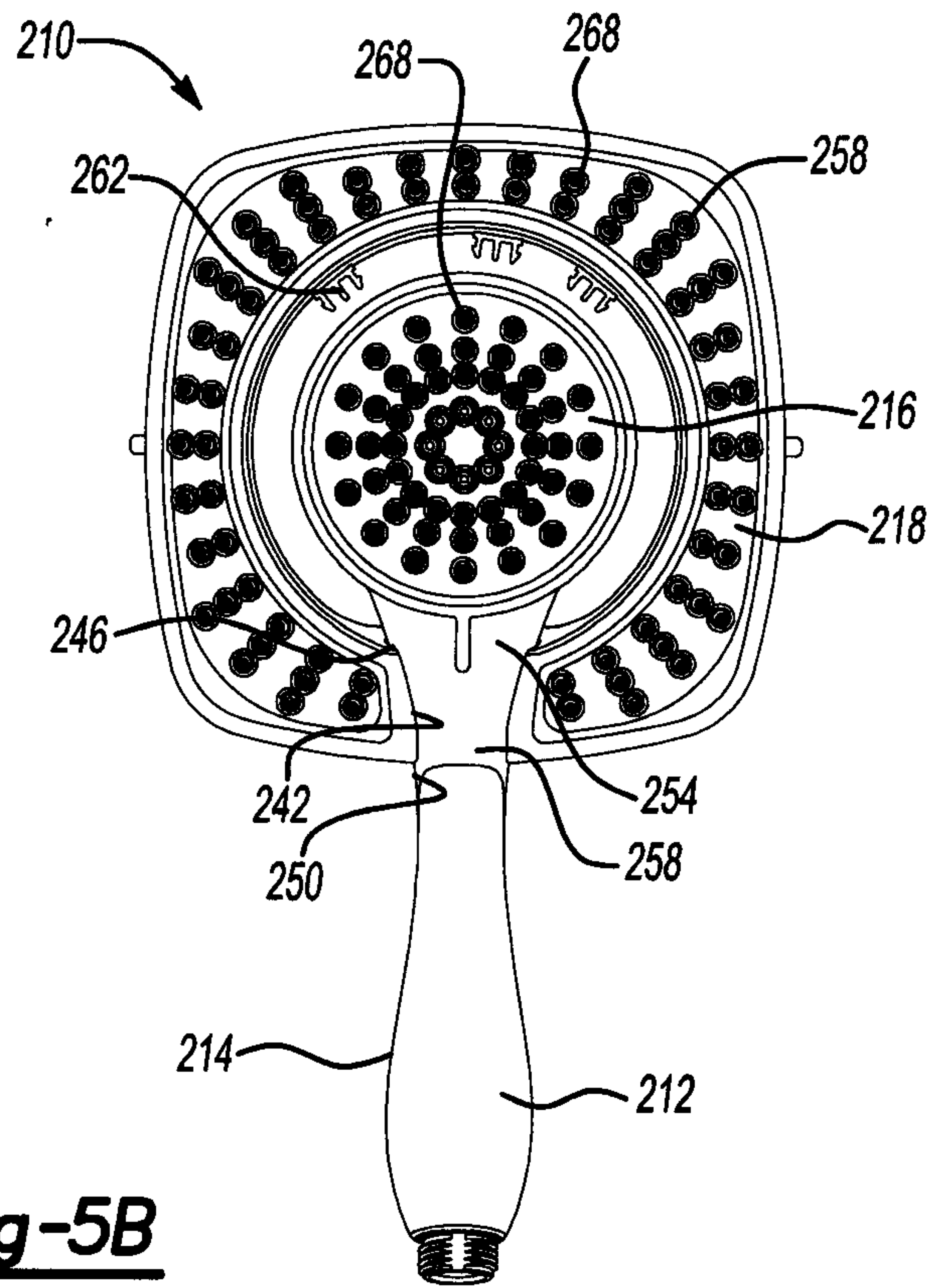
**Fig-4A**



**Fig-4B**



**Fig-5A**



**Fig-5B**

