

(19) World Intellectual Property Organization
International Bureau



(43) International Publication Date
1 March 2007 (01.03.2007)

PCT

(10) International Publication Number
WO 2007/025296 A3

(51) International Patent Classification:
A61B 17/08 (2006.01)

(21) International Application Number:
PCT/US2006/033705

(22) International Filing Date: 28 August 2006 (28.08.2006)

(25) Filing Language: English

(26) Publication Language: English

(30) Priority Data:
11/212,274 26 August 2005 (26.08.2005) US

(71) Applicant and

(72) Inventor: ROSENBLATT, Peter, L. [US/US]; 5 Wykeham Road, Newton, MA 02465 (US).

(74) Agent: RHODES, Christopher, R.; LOWRIE, LANDO & ANASTASI, LLP, One Main Street, Suite 1100, Cambridge, MA 02142 (US).

(81) Designated States (unless otherwise indicated, for every kind of national protection available): AE, AG, AL, AM,

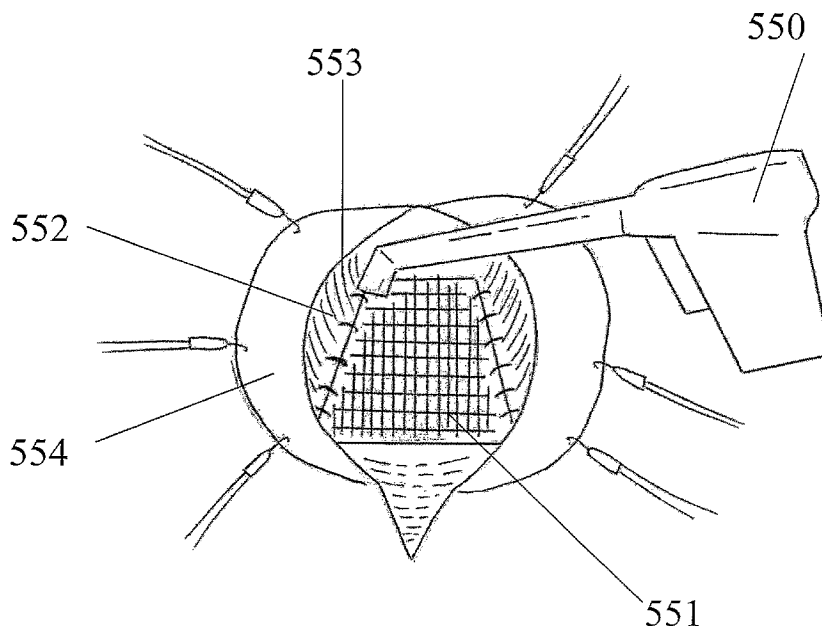
AT, AU, AZ, BA, BB, BG, BR, BW, BY, BZ, CA, CH, CN, CO, CR, CU, CZ, DE, DK, DM, DZ, EC, EE, EG, ES, FI, GB, GD, GE, GH, GM, HN, HR, HU, ID, IL, IN, IS, JP, KE, KG, KM, KN, KP, KR, KZ, LA, LC, LK, LR, LS, LT, LU, LV, LY, MA, MD, MG, MK, MN, MW, MX, MY, MZ, NA, NG, NI, NO, NZ, OM, PG, PH, PL, PT, RO, RS, RU, SC, SD, SE, SG, SK, SL, SM, SV, SY, TJ, TM, TN, TR, TT, TZ, UA, UG, US, UZ, VC, VN, ZA, ZM, ZW.

(84) Designated States (unless otherwise indicated, for every kind of regional protection available): ARIPO (BW, GH, GM, KE, LS, MW, MZ, NA, SD, SL, SZ, TZ, UG, ZM, ZW), Eurasian (AM, AZ, BY, KG, KZ, MD, RU, TJ, TM), European (AT, BE, BG, CH, CY, CZ, DE, DK, EE, ES, FI, FR, GB, GR, HU, IE, IS, IT, LT, LU, LV, MC, NL, PL, PT, RO, SE, SI, SK, TR), OAPI (BF, BJ, CF, CG, CI, CM, GA, GN, GQ, GW, ML, MR, NE, SN, TD, TG).

Published:
— with international search report
— before the expiration of the time limit for amending the claims and to be republished in the event of receipt of amendments

(88) Date of publication of the international search report:
12 September 2008

(54) Title: SYSTEMS AND METHODS FOR SOFT TISSUE RECONSTRUCTION



(57) Abstract: Systems and methods for soft tissue reconstruction using one or more soft tissue fixation devices are disclosed. In certain embodiments, these systems and methods are used to reconstruct defects or abnormalities in the female pelvic floor by using one or more fixation devices to correct the defect or abnormality.



WO 2007/025296 A3

INTERNATIONAL SEARCH REPORT

International application No.

PCT/US 06/33705

| A. CLASSIFICATION OF SUBJECT MATTER IPC(8) - A61B 17/08 (2007.01) USPC - 128/839 According to International Patent Classification (IPC) or to both national classification and IPC | | |
|--|--|--|
| B. FIELDS SEARCHED Minimum documentation searched (classification system followed by classification symbols) USPC: 606/216, 142, 213, 218, 219, 128/839, 830 Documentation searched other than minimum documentation to the extent that such documents are included in the fields searched WIPO, Thomson Dialog (Global Patents), USPTO, www.Answers.com Electronic data base consulted during the international search (name of data base and, where practicable, search terms used) USPTO (Patents, Published Applications), Thomson Dialog (Global Patents, France, US, WIPO/PCT, Europe, China) Search terms: soft, tissue, surgery, kit, pelvic, laxity, applicator, instructions, fixation device, vagina, incision, screw, graft, mesh | | |
| C. DOCUMENTS CONSIDERED TO BE RELEVANT | | |
| Category* | Citation of document, with indication, where appropriate, of the relevant passages | Relevant to claim No. |
| X — Y | WO 2000/057796 A1 (ROSENBLATT et al) 11 July 2002 (11.07.2002) page 5, lines 18-22, 24-27, page 9, lines 20-24, page 10, lines 23-25, page 11, lines 1-6, page 14, lines 1-12, page 17, lines 7-8, page 39, lines 5-21, 17-24, Figs. 13A, 26, 27 A-C | 1-5, 7-12 ----- 6, 13-20 |
| Y | US 5,716,408 A (ELDRIDGE et al.) 10 February 1998 (10.02.1998) col. 1, lines 55-65, col. 3, lines 22-52 | 6, 17 |
| Y | US 6,755,831 B2 (PUTNAM et al.) 29 June 2004 (29.06.2004) col. 1, lines 56-65, col. 2, lines 13-20 | 13-20 |
| <input type="checkbox"/> Further documents are listed in the continuation of Box C. <input type="checkbox"/> | | |
| * Special categories of cited documents: "A" document defining the general state of the art which is not considered to be of particular relevance "E" earlier application or patent but published on or after the international filing date "L" document which may throw doubts on priority claim(s) or which is cited to establish the publication date of another citation or other special reason (as specified) "O" document referring to an oral disclosure, use, exhibition or other means "P" document published prior to the international filing date but later than the priority date claimed "T" later document published after the international filing date or priority date and not in conflict with the application but cited to understand the principle or theory underlying the invention "X" document of particular relevance; the claimed invention cannot be considered novel or cannot be considered to involve an inventive step when the document is taken alone "Y" document of particular relevance; the claimed invention cannot be considered to involve an inventive step when the document is combined with one or more other such documents, such combination being obvious to a person skilled in the art "&" document member of the same patent family | | |
| Date of the actual completion of the international search 20 Jan 2007 (20.01.2007) | | Date of mailing of the international search report 01 JUL 2008 |
| Name and mailing address of the ISA/US Mail Stop PCT, Attn: ISA/US, Commissioner for Patents P.O. Box 1450, Alexandria, Virginia 22313-1450 Facsimile No. 571-273-3201 | | Authorized officer: Lee W. Young PCT Helpdesk: 571-272-4300 PCT OSP: 571-272-7774 |