



US00D779152S

(12) **United States Design Patent**
Clements et al.

(10) **Patent No.:** **US D779,152 S**

(45) **Date of Patent:** **** Feb. 21, 2017**

(54) **SHAPED TORTILLA**

(71) Applicant: **General Mills, Inc.**, Minneapolis, MN (US)

(72) Inventors: **Robert G Clements**, Plymouth, MN (US); **Shivakumar Elayedath**, Eden Prairie, MN (US); **Amy R Fleury**, Arden Hills, MN (US); **Zachary Harder**, Crystal, MN (US)

(73) Assignee: **General Mills, Inc.**, Minneapolis, MN (US)

(**) Term: **15 Years**

(21) Appl. No.: **29/541,084**

(22) Filed: **Sep. 30, 2015**

Related U.S. Application Data

(62) Division of application No. 29/476,449, filed on Dec. 13, 2013.

(51) **LOC (10) Cl.** **01-01**

(52) **U.S. Cl.**
USPC **D1/122**

(58) **Field of Classification Search**

USPC D1/100–130, 199; D7/504, 509, 510, D7/523, 524, 555, 566, 568, 584–587, D7/602, 672, 300.1, 629, 653, 654, 402, D7/667, 400, 354; D21/386; D19/91; 426/92, 94, 95, 99, 101, 138–139, 426/143, 279, 282, 283, 391, 514; D11/146, 151, 154, 164; D14/480.5, D14/484.1; 47/72; D26/113, 134; 229/400; D9/425
CPC A23G 3/50; A23L 1/0067
See application file for complete search history.

(56) **References Cited**

U.S. PATENT DOCUMENTS

D17,628 S 8/1887 Carr
D19,696 S 3/1890 Beckstein

D31,600 S 10/1899 Terry
909,715 A 1/1909 Troegeler
1,455,009 A 5/1923 Schenk
D62,515 S 6/1923 Wood
1,529,670 A 3/1925 Pritchard et al.
(Continued)

FOREIGN PATENT DOCUMENTS

WO WO-2004/037016 5/2004

OTHER PUBLICATIONS

Madarang, Charisma. "DOPE: Seaweed Cupcake Wrappers." Food Beast. Apr. 1, 2014. Web. Feb. 22, 2016. <<http://www.foodbeast.com/news/seaweed-cupcake-wrappers/>>.*

(Continued)

Primary Examiner — Garth Rademaker

Assistant Examiner — Katie Stofko Mroczka

(74) *Attorney, Agent, or Firm* — Rachel A. Kahler; Diederiks & Whitelaw, PLC; Annette M. Frawley, Esq.

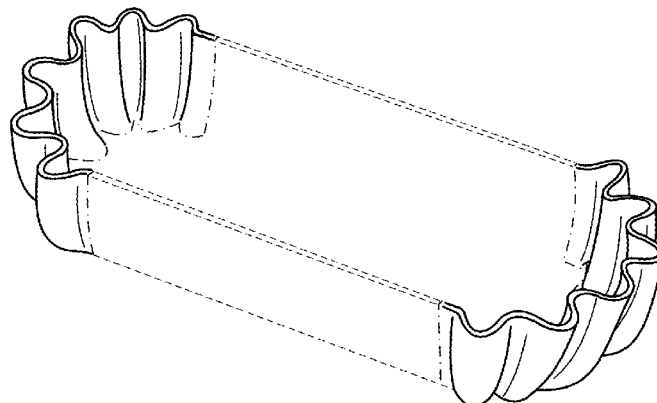
(57) **CLAIM**

The ornamental design for a shaped tortilla, as shown and described.

DESCRIPTION

FIG. 1 is a perspective view of the shaped tortilla according to our design;
FIG. 2 is an end view of the shaped tortilla of FIG. 1;
FIG. 3 is a side view of the shaped tortilla of FIG. 1;
FIG. 4 is a cross-sectional view of the shaped tortilla of FIG. 1, taken along line 4-4 in FIG. 2;
FIG. 5 is a top view of the shaped tortilla of FIG. 1; and, FIG. 6 is a bottom view of the shaped tortilla of FIG. 1.
The evenly-spaced broken lines in FIGS. 1 and 3-6 illustrate portions of the shaped tortilla that from no part of the claimed design. The dash-dot-dash broken lines in FIGS. 1 and 3-6 illustrate the boundary of the claimed design which forms no part thereof.

1 Claim, 3 Drawing Sheets



US D779,152 S

(56)

References Cited

U.S. PATENT DOCUMENTS

| | | | | | | |
|---------------|---------|--------------------|---------------|---------|---------------------------|--------------|
| | | | 4,929,458 A | 5/1990 | Smietana | |
| | | | D314,887 S | 2/1991 | Tomaras | |
| | | | 5,002,783 A * | 3/1991 | Ruiz | A21D 13/0029 |
| | | | | | | 426/138 |
| D67,821 S | 7/1925 | Yohai et al. | 5,009,902 A | 4/1991 | Mercenari | |
| 1,552,671 A | 9/1925 | Bellocchio | D316,622 S | 5/1991 | Popiel | |
| 1,816,283 A | 7/1931 | Holibaugh | D318,001 S | 7/1991 | Gavin et al. | |
| 1,842,576 A | 1/1932 | Bemis | D318,361 S | 7/1991 | Malim | |
| D87,362 S | 7/1932 | Sherman | D318,984 S | 8/1991 | Wickham et al. | |
| D89,341 S | 2/1933 | Hamsen | D324,603 S | 3/1992 | Cope et al. | |
| 1,909,930 A | 5/1933 | De Ridder | 5,117,584 A | 6/1992 | Ottenwalder et al. | |
| D93,019 S | 8/1934 | Hose | D334,111 S | 3/1993 | Yockey et al. | |
| 2,120,710 A | 6/1938 | Nieding | 5,203,493 A | 4/1993 | Moody | |
| 2,145,481 A * | 1/1939 | Harvey | D335,758 S | 5/1993 | Stickle | |
| | | A47G 21/001 | 5,223,286 A | 6/1993 | Selbak | |
| | | 206/822 | 5,236,727 A | 8/1993 | Huston | |
| 2,274,344 A | 2/1942 | Palmer | D339,899 S | 10/1993 | Kittleson | |
| D141,423 S | 5/1945 | Lewis | 5,298,273 A | 3/1994 | Ito | |
| 2,508,724 A * | 5/1950 | Moffett, Jr. | 5,298,279 A | 3/1994 | Hayashi | |
| | | A23G 9/506 | D350,671 S | 9/1994 | Asner | |
| | | 425/412 | 5,364,016 A | 11/1994 | Capy et al. | |
| 2,547,295 A | 4/1951 | Weeks | D354,159 S | 1/1995 | Martin | |
| 2,598,927 A | 6/1952 | May | D358,018 S | 5/1995 | Lindemann | |
| 2,601,822 A | 7/1952 | Hopkins | D369,451 S | 5/1996 | Gornet et al. | |
| 2,630,389 A | 3/1953 | Lipshutz | D370,086 S | 5/1996 | Yeh | |
| 2,664,812 A | 1/1954 | Molina | D374,844 S * | 10/1996 | Weder | D11/164 |
| 2,739,464 A | 3/1956 | Smith | 5,567,455 A | 10/1996 | Alsbrook, Sr. | |
| D178,162 S | 6/1956 | Van Ike | 5,567,459 A | 10/1996 | Gonzalez-Hernandez et al. | |
| 2,892,719 A | 6/1959 | Lynn | D376,893 S | 12/1996 | Gornet | |
| 3,222,697 A | 12/1965 | Scheermesser | D377,257 S | 1/1997 | Calvin | |
| D205,126 S | 6/1966 | Haessler | 5,626,897 A | 5/1997 | Goldstein | |
| 3,290,154 A | 12/1966 | Turner | D380,885 S | 7/1997 | Goll | |
| 3,341,167 A | 9/1967 | Weiss | 5,652,010 A | 7/1997 | Gimmler et al. | |
| 3,481,458 A | 12/1969 | Mayeaux | D383,589 S | 9/1997 | Morales | |
| 3,541,587 A | 11/1970 | Washburn | D387,109 S | 12/1997 | Winans | |
| D222,682 S | 11/1971 | Douglas | D387,701 S | 12/1997 | Shieh | |
| 3,653,337 A | 4/1972 | Hanson | D389,373 S | 1/1998 | Belue | |
| 3,794,455 A | 2/1974 | Heiderpriem | 5,709,898 A | 1/1998 | Biggs et al. | |
| 3,908,022 A | 9/1975 | Selleck | D392,503 S * | 3/1998 | Cummings | D7/354 |
| 3,930,049 A | 12/1975 | Mattson | D392,786 S | 3/1998 | Kieser | |
| 4,018,905 A | 4/1977 | Adamek et al. | D393,136 S | 4/1998 | Gornet | |
| 4,055,670 A | 10/1977 | Belmont | 5,756,976 A | 5/1998 | Akasaka | |
| 4,065,092 A | 12/1977 | Spinks, Sr. et al. | D395,937 S | 7/1998 | Zada | |
| 4,065,581 A | 12/1977 | Heiderpriem | D402,085 S | 12/1998 | Gornet | |
| 4,075,107 A | 2/1978 | Smith | D402,502 S * | 12/1998 | Liaw | D11/143 |
| D247,868 S | 5/1978 | Britt | D402,739 S * | 12/1998 | Mc Clements | D23/309 |
| D251,396 S | 3/1979 | Hutchinson | D404,684 S | 1/1999 | Shea | |
| D251,816 S | 5/1979 | Majeski | 5,897,900 A | 4/1999 | Groulx et al. | |
| D252,845 S | 9/1979 | Gavin | D412,770 S | 8/1999 | Martinez et al. | |
| 4,214,517 A | 7/1980 | Caldwell | D413,547 S | 9/1999 | Wagner | |
| 4,250,091 A | 2/1981 | Papa et al. | 5,984,697 A | 11/1999 | Moran et al. | |
| 4,251,554 A | 2/1981 | Baisden | 5,993,871 A | 11/1999 | Beehler | |
| 4,270,660 A | 6/1981 | Putt | 5,996,476 A | 12/1999 | Schultz | |
| 4,313,964 A | 2/1982 | Dembecki | 5,997,921 A | 12/1999 | Tirillo | |
| D263,786 S | 4/1982 | Kohan | D421,272 S | 2/2000 | Patel | |
| D265,387 S | 7/1982 | Nattrass | D425,685 S | 5/2000 | Kitslaar | |
| 4,381,837 A | 5/1983 | Cortopassi | 6,156,357 A | 12/2000 | Franklin | |
| 4,444,795 A | 4/1984 | Weinstein | 6,245,374 B1 | 6/2001 | Thomas et al. | |
| D274,115 S * | 6/1984 | Gavin | D444,816 S | 7/2001 | Stravitz | |
| D277,234 S | 1/1985 | Bank | D447,086 S | 8/2001 | Weder | |
| D278,199 S | 4/1985 | Richards | D450,420 S | 11/2001 | Brost et al. | |
| D279,160 S | 6/1985 | Hunt | D467,121 S | 12/2002 | Zietz et al. | |
| 4,530,275 A | 7/1985 | Stickle et al. | D467,669 S | 12/2002 | Givens et al. | |
| D282,338 S | 1/1986 | Putt | D478,393 S * | 8/2003 | Alduby | D26/118 |
| 4,573,579 A | 3/1986 | Murdick et al. | 6,607,169 B1 | 8/2003 | Gershfeld | |
| D285,740 S | 9/1986 | Watanabe | 6,615,495 B1 | 9/2003 | Evens et al. | |
| 4,626,438 A | 12/1986 | Glantz | D485,307 S | 1/2004 | Sheldon et al. | |
| 4,650,684 A | 3/1987 | Penrose | D493,943 S | 8/2004 | Mendenhall | |
| 4,666,799 A | 5/1987 | Runquist et al. | D515,274 S | 2/2006 | Griebel et al. | |
| 4,733,521 A * | 3/1988 | Weder | D516,275 S | 3/2006 | Anaya | |
| | | B65B 25/02 | 7,008,655 B1 | 3/2006 | Aslanis | |
| | | 206/423 | D520,814 S | 5/2006 | Wegmann | |
| 4,735,811 A | 4/1988 | Skarra et al. | D523,289 S | 6/2006 | David | |
| 4,746,010 A | 5/1988 | Fournier | D523,698 S | 6/2006 | David | |
| D296,284 S | 6/1988 | Colby | D523,701 S | 6/2006 | Dodge et al. | |
| 4,781,932 A | 11/1988 | Skarra et al. | D524,112 S | 7/2006 | Cogley | |
| 4,812,376 A | 3/1989 | Rudolph | D527,052 S | 8/2006 | Wolff et al. | |
| D300,707 S | 4/1989 | Walmesley | D544,408 S | 6/2007 | Weekes | |
| 4,855,151 A | 8/1989 | Fielding | D547,235 S | 7/2007 | Stanton et al. | |
| 4,896,820 A | 1/1990 | Harrington | | | | |
| 4,915,964 A | 4/1990 | Smietana | | | | |
| 4,919,946 A | 4/1990 | Pak et al. | | | | |

(56)

References Cited

U.S. PATENT DOCUMENTS

| | | | | | | |
|--------------|----|---|---------|-----------------|-------|---------|
| D552,785 | S | * | 10/2007 | De'Armond | | D26/128 |
| D579,626 | S | | 11/2008 | Schulman | | |
| D590,126 | S | | 4/2009 | Kovich et al. | | |
| D602,396 | S | | 10/2009 | Conway et al. | | |
| 7,648,374 | B2 | | 1/2010 | Koskondy | | |
| D609,712 | S | | 2/2010 | Bedol | | |
| D610,156 | S | | 2/2010 | Mudrick | | |
| D622,927 | S | | 9/2010 | Griebel | | |
| D622,928 | S | | 9/2010 | Griebel | | |
| D623,376 | S | | 9/2010 | Griebel | | |
| D623,826 | S | | 9/2010 | Griebel | | |
| D629,586 | S | | 12/2010 | Griebel | | |
| D653,079 | S | | 1/2012 | King | | |
| D655,886 | S | | 3/2012 | Kovich et al. | | |
| D664,399 | S | * | 7/2012 | Henry | | D7/566 |
| D673,402 | S | | 1/2013 | Kuzyk | | |
| D691,400 | S | | 10/2013 | Young | | |
| D691,401 | S | | 10/2013 | Sobran | | |
| D722,821 | S | | 2/2015 | Liu | | |
| 2001/0043973 | A1 | | 11/2001 | Keck et al. | | |
| 2002/0168453 | A1 | | 11/2002 | McCutchan | | |
| 2004/0058048 | A1 | | 3/2004 | Chedid et al. | | |
| 2004/0071854 | A1 | | 4/2004 | Chedid et al. | | |
| 2005/0281921 | A1 | | 12/2005 | Langston et al. | | |
| 2006/0147587 | A1 | | 7/2006 | Kovich et al. | | |
| 2008/0095908 | A1 | | 4/2008 | Vendl et al. | | |
| 2008/0193613 | A1 | | 8/2008 | Kovich et al. | | |
| 2008/0220132 | A1 | | 9/2008 | Taminich | | |
| 2008/0220144 | A1 | | 9/2008 | Richards | | |
| 2009/0285950 | A1 | | 11/2009 | Baker | | |
| 2010/0272863 | A1 | | 10/2010 | Griebel et al. | | |

OTHER PUBLICATIONS

"Food Dividers." Bento. May 9, 2011. Web. Feb. 22, 2016. <<http://obentolunch.weebly.com/bento-tools.html>>.*

Norpro Nonstick Tortilla Bowl, Amazon. Nov. 13, 2010. Web. Apr. 21, 2015, <<http://www.amazon.com/Norpro-Nonstick-Tortilla-Bowl-Makers/dp/B00005EBH7>>.

"American Hits", Oct. 30, 2007, <http://www.salomon-online.com/p3filesen/produkte/americanhits.shtml>.

"Chili In Tortilla Bowls" published Oct. 21, 2006, <http://www.favoritebrandrecipes.com/Recipes/335/1531521335.htm>.

How to make Really Good Soft Taco Shells, Jul. 21, 2007, <http://forums.macresource.com/read.php?1,330158,330263>.

"Mushrooms in Garlic Sauce, Served in a Soft Tortilla Shell" Apr. 27, 2006, <http://www.foodnetwork.com/recipes/mushrooms-in-garlic-sauce-served-in-a-tortilla-shell-recipe.html#!>.

"Ortega" Published Dec. 23, 2007, http://web.archive.org/web/71228042139/http://www.ortega.com/products.dinner_kits.asp.

"Rachel Ray Show", Jul. 3, 2007, <http://www.rachaelrayshow.com/food/recipes/healthy-tortilla-ice-cream-bowls/>.

"Recipe Book—Mexican Beef Soup in Tortilla Bowls", Jul. 30, 2007, <http://www.txbeef.org/recipe.php3?944689164>.

"The Cook's Thesaurus" Jan. 30, 2008, <http://web.archive.org/web/20080130010346/http://foodsubs.com/Flatbread.html>.

"The Glass of Frederick Carder" New York: Corning Museum of Glass, 1971. Print p. 158, item No. 1956.

The Revolutionary New Fast Food Concept From Down Under, Xcitetech Technology Solutions, Inc., 2002, <http://excitetechnology.com/TheWalkAboutConeDocV7.0.pdf>, brochure.

Old El Paso Dinner Kit, 2002.

Pizzacona, Oct. 17, 2007, <http://www.crispycones.com/crispy/menu.htm>.

R. S. Chavan et al., 2010, "Microwave Baking in Food Industry: A Review", International Journal of Dairy Science, 5:113-127.

The Nibble, Mar. 12, 2009, Tumaro's Tortillas, Gourmet for Sandwich Wraps, Mexican Recipes & Desserts; <http://www.thenibble.com/reviews/main/breadstuffs/tumaros.tortillas.asp>.

Bethlehem Steel Catalog, Copyright 1931; p. 9, extrusion, bottom row.

Clark, Chefs and Food Scientists Develop 'grab and go' foods, Food Sci. & Tech Abs. 2007, Dialog Accession No. 01077407.

CrispyCones, Oct. 17, 2007, <http://www.crispycones.com/crispy/faq.htm>.

EEE Cooks; Tortilla Shell (Recipe), Mar. 12, 2009; <http://www.eeecooks.com/recipes/2004/02/17/shell>.

GoogleGroups, May 1999, rec.food.cooking, http://groups.com/group/rec.food.cooking/browse_thread/thread/25cf043af2ac4457/7cb26bbc141f38fe?hl=en&ie=UTF-8&oe=UTF-8&q=orte.

Hessong, Athena, "Desserts Made with Tortilla Shells", Oct. 5, 2012, http://www.ehow.com/info_10001655_desserts-made-tortilla-shells.html.

Hollingsworth, Pierce, "One-handed Cuisine and Other Business Trends to Watch", Food Technology; v. 56:4 p. 18 (Apr. 2002) abstract.

<http://www.slashfood.com/tag/taco/>, Jul. 2007.

Mintel gnpd, "Crispy Tacho Shells", <http://www.gnprd.com>.

* cited by examiner

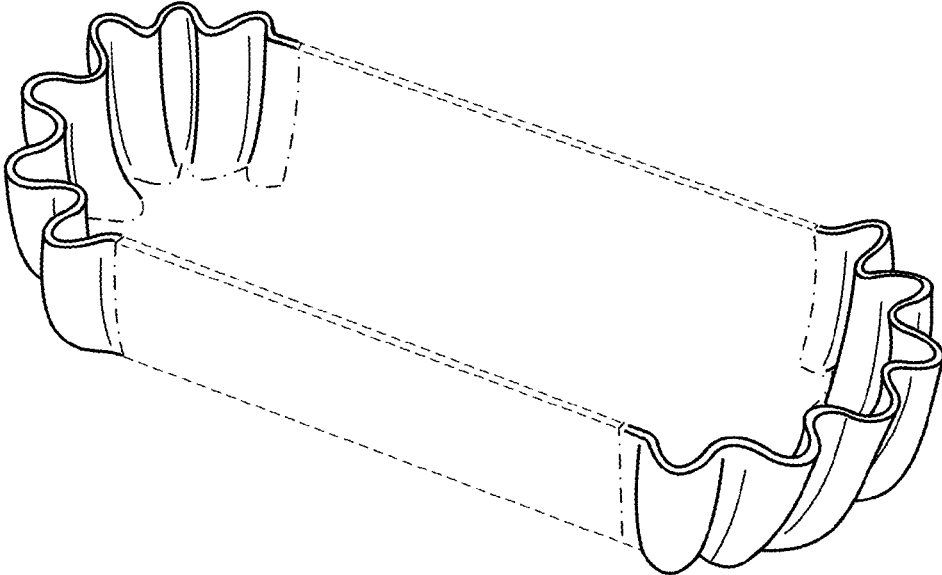


FIG. 1

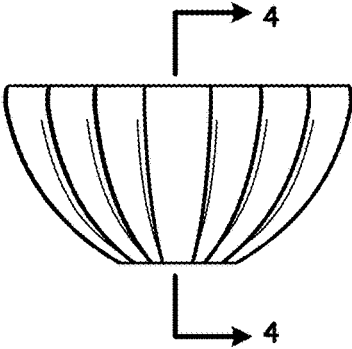


FIG. 2



FIG. 3



FIG. 4

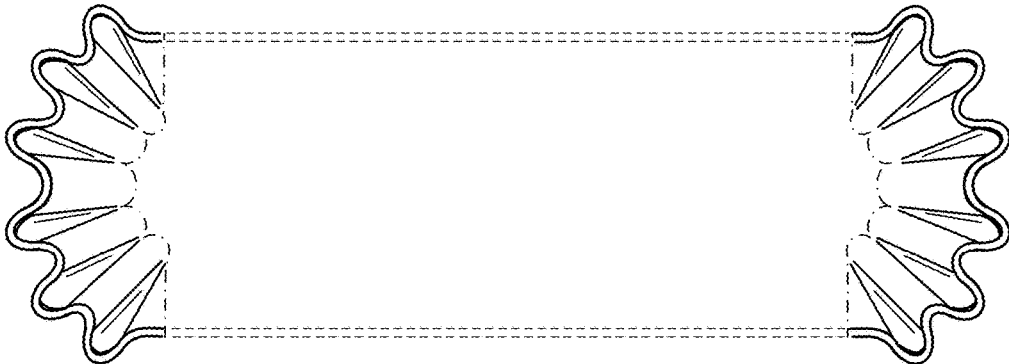


FIG. 5



FIG. 6