

CORRECTED VERSION

(19) World Intellectual Property Organization
International Bureau



(43) International Publication Date
22 February 2007 (22.02.2007)

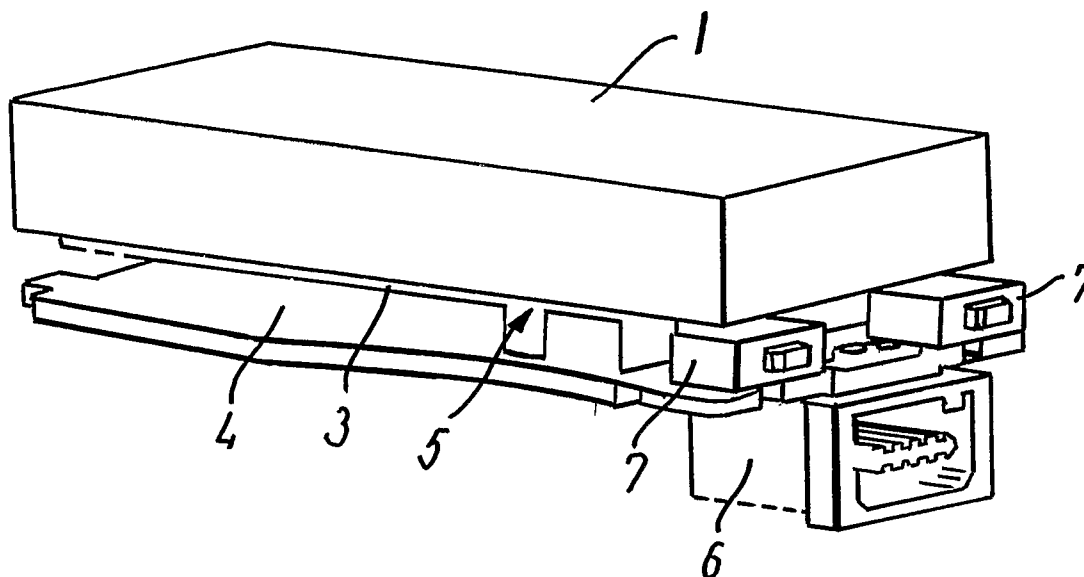
PCT

(10) International Publication Number
WO 2007/019855 A1

- (51) **International Patent Classification:**
HOIQ 1/24 (2006.01) *HOIQ 1/27* (2006.01)
HOIQ 9/04 (2006.01) *HOIQ 1/44* (2006.01)
- (21) **International Application Number:**
PCT/DK2006/000443
- (22) **International Filing Date:** 11 August 2006 (11.08.2006)
- (25) **Filing Language:** Danish
- (26) **Publication Language:** English
- (30) **Priority Data:**
PA 2005 01133 12 August 2005 (12.08.2005) DK
- (71) **Applicant (for all designated States except US):** GN NET-COM A/S [DK/DK]; Metalbuen 66, DK-2750 Ballerup (DK).
- (72) **Inventor; and**
- (75) **Inventor/Applicant (for US only):** PEDERSEN, Frølund, Gert [DK/DK]; Egense Hjørnet 25, DK-9280 Storvorde (DK).
- (74) **Agent:** LARSEN & BIRKEHOLM A/S; Skandinavisk Patentbureau, Banegardspladsen 1, P.O. Box 362, DK-1570 København V (DK).
- (81) **Designated States (unless otherwise indicated, for every kind of national protection available):** AE, AG, AL, AM, AT, AU, AZ, BA, BB, BG, BR, BW, BY, BZ, CA, CH, CN, CO, CR, CU, CZ, DE, DK, DM, DZ, EC, EE, EG, ES, FI, GB, GD, GE, GH, GM, HN, HR, HU, ID, IL, IN, IS, JP, KE, KG, KM, KN, KP, KR, KZ, LA, LC, LK, LR, LS, LT, LU, LV, LY, MA, MD, MG, MK, MN, MW, MX, MZ, NA, NG, NI, NO, NZ, OM, PG, PH, PL, PT, RO, RS, RU, SC, SD, SE, SG, SK, SL, SM, SY, TJ, TM, TN, TR, TT, TZ, UA, UG, US, UZ, VC, VN, ZA, ZM, ZW
- (84) **Designated States (unless otherwise indicated, for every kind of regional protection available):** ARIPO (BW, GH, GM, KE, LS, MW, MZ, NA, SD, SL, SZ, TZ, UG, ZM, ZW), Eurasian (AM, AZ, BY, KG, KZ, MD, RU, TJ, TM), European (AT, BE, BG, CH, CY, CZ, DE, DK, EE, ES, FI, FR, GB, GR, HU, IE, IS, IT, LT, LU, LV, MC, NL, PL, PT, RO, SE, SI, SK, TR), OAPI (BF, BJ, CF, CG, CI, CM, GA, GN, GQ, GW, ML, MR, NE, SN, TD, TG).
- Published:**
— with international search report
- (48) **Date of publication of this corrected version:**
19 July 2007

[Continued on next page]

(54) **Title:** A COMMUNICATIONS UNIT WITH A BUILT-IN ANTENNA



(57) **Abstract:** In a communications unit, such as a headset or a hearing aid, of the wireless type, a metal layer (3) is adhered or secured to its battery (1) by means of a double adhesive tape or spacers (2), so that the battery and the metal layer are capacitively connected to each other. The metal layer (3) is connected electrically to the transmit and receive circuit of the communications unit, which is mounted on a printed circuit board whose ground parts constitute a ground plane. Hereby, a patch antenna is provided, which, although it has small dimensions, has a good directional characteristic, which additionally provides the advantage that radiation from the antenna is directed away from a user's head. A communications unit constructed in this manner is useful in connection with a Bluetooth communications connection.

WO 2007/019855 A1



(15) Information about Correction:

see PCT Gazette No. 29/2007 of 19 July 2007

For two-letter codes and other abbreviations, refer to the "Guidance Notes on Codes and Abbreviations" appearing at the beginning of each regular issue of the PCT Gazette.