



US00D996728S

(12) **United States Design Patent**
Orleans

(10) **Patent No.:** **US D996,728 S**

(45) **Date of Patent:** **** Aug. 22, 2023**

(54) **LARGE SHIPPING CRATE FOR SMALL LIVE ANIMALS**

DESCRIPTION

(71) Applicant: **Alex Orleans**, Edmonds, WA (US)

(72) Inventor: **Alex Orleans**, Edmonds, WA (US)

(**) Term: **15 Years**

(21) Appl. No.: **29/785,567**

(22) Filed: **May 26, 2021**

(51) **LOC (14) Cl.** **30-02**

(52) **U.S. Cl.**
USPC **D30/108**

(58) **Field of Classification Search**
USPC D30/108, 109, 112, 113, 114, 115, 116,
D30/117, 119, 199; D3/273, 276, 282,
D3/288, 294

(Continued)

(56) **References Cited**

U.S. PATENT DOCUMENTS

3,486,680 A * 12/1969 Negus, Jr. B65D 5/64
D30/114
3,524,431 A * 8/1970 Graham B65D 77/2004
119/496

(Continued)

FOREIGN PATENT DOCUMENTS

EM 008765689-0001 * 4/2022
EM 008765689-0002 * 4/2022

(Continued)

Primary Examiner — Sheryl Lane
Assistant Examiner — Emily A Caven

(74) *Attorney, Agent, or Firm* — Seed IP Law Group LLP

(57) **CLAIM**

The ornamental design for a large shipping crate for small live animals, as shown and described.

FIG. 1 is a top perspective view of a large shipping crate for small live animals providing a high air flow and being stackable showing a first embodiment of my new design.

FIG. 2 is a bottom perspective view thereof.

FIG. 3 is a top plan view thereof.

FIG. 4 is a bottom plan view thereof.

FIG. 5 is a right side elevation view thereof.

FIG. 6 is a left side elevation view thereof.

FIG. 7 is a front elevation view thereof.

FIG. 8 is a rear elevation view thereof.

FIG. 9 is a top perspective view of a large shipping crate for small live animals providing a high air flow and being stackable showing a second embodiment of my new design. FIG. 10 is a bottom perspective view of the embodiment of FIG. 9.

FIG. 11 is a top plan view of the embodiment of FIG. 9.

FIG. 12 is a bottom plan view of the embodiment of FIG. 9.

FIG. 13 is a right side elevation view of the embodiment of FIG. 9.

FIG. 14 is a left side elevation view of the embodiment of FIG. 9.

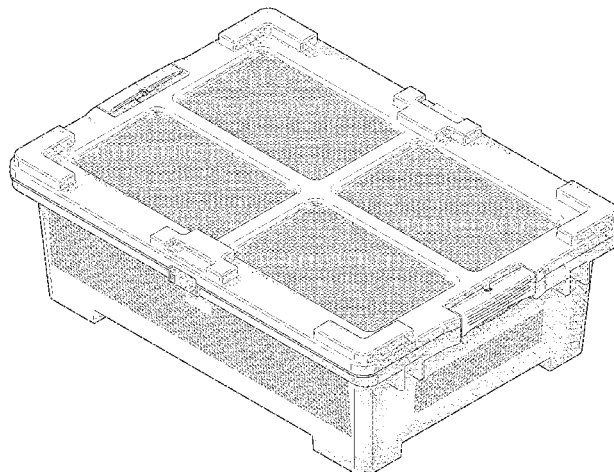
FIG. 15 is a front elevation view of the embodiment of FIG. 9.

FIG. 16 is a rear elevation view of the embodiment of FIG. 9.

FIG. 17 is a top perspective view of a large shipping crate for small live animals that includes a bird perch in the interior and also provides a high air flow and being stackable with the lid not present, showing the first embodiment of FIG. 1 of my new design; and,

FIG. 18 is an exploded perspective view of a large shipping crate for small live animals that shows a bird perch to be placed in the interior and lid on top when it closed, the cage providing a high air flow and being stackable according to the first embodiment of my new design as shown in FIG. 17. The broken lines showing in the various figures of large shipping crate for small live animals are included for the purpose of illustrating portions of the article that from no part of the claimed design. Shading lines shown in the drawings are intended to represent the approximate three-

(Continued)



dimensional contour of the design and are not intended to indicate surface decoration and form no part of the claimed design.

1 Claim, 14 Drawing Sheets

(58) Field of Classification Search

CPC .. A01K 15/0125; A01K 15/02; A01K 15/025;
 A01K 15/035; A01K 15/031; A01K
 1/0035; A01K 1/0125; A01K 1/0245;
 A01K 1/0254; A01K 1/029; A01K 1/03;
 A01K 1/031; A01K 1/032; A01K 1/033;
 A01K 1/034; A01K 31/002; A01K
 31/005; A01K 31/07; A01K 31/08; A01K
 45/50; B65D 85/50; B65D 5/4295; B65D
 11/18; B65D 2205/00; B65D 2205/02
 See application file for complete search history.

(56) References Cited

U.S. PATENT DOCUMENTS

D229,948 S * 1/1974 Box D30/114

D255,724 S *	7/1980	Carroll	D30/114
D286,937 S *	11/1986	Schafer	D3/272
D356,256 S *	3/1995	Romanoff	D7/629
D374,555 S *	10/1996	McMath	D9/425
5,632,405 A *	5/1997	McMath	A01K 63/02 220/676
D382,112 S *	8/1997	Egan	D9/425
6,041,931 A *	3/2000	Jacques	F25D 3/08 206/508
D593,324 S *	6/2009	Simas	D3/302
D701,044 S *	3/2014	Kishimoto	D3/273
2006/0201439 A1 *	9/2006	Ficker	A01K 1/0245 119/416
2022/0378010 A1 *	12/2022	Orleans	A01K 1/0245

FOREIGN PATENT DOCUMENTS

EM	008765689-0003	*	4/2022
EM	008765689-0004	*	4/2022
EM	008765689-0005	*	4/2022
EM	008765689-0006	*	4/2022

* cited by examiner

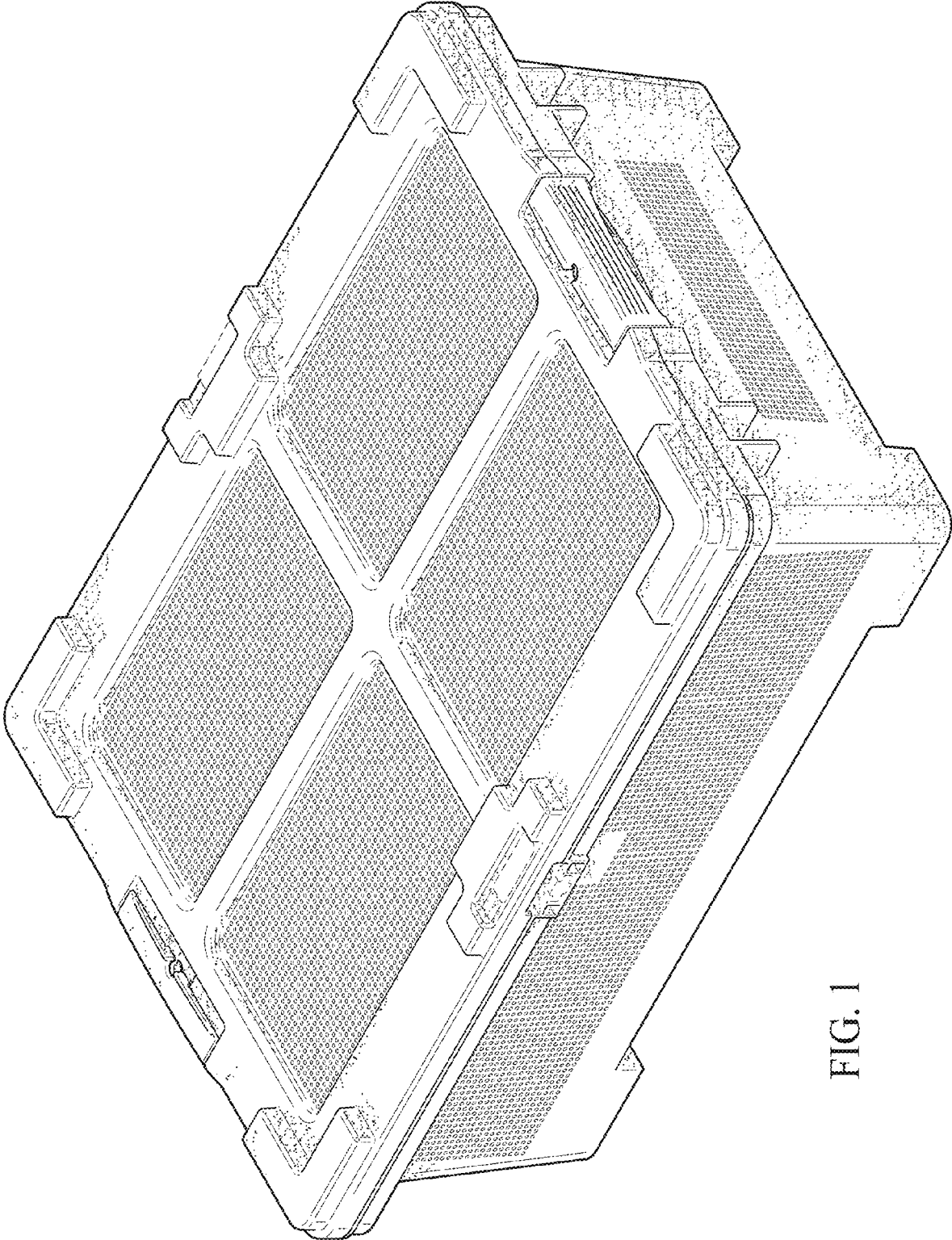


FIG. 1

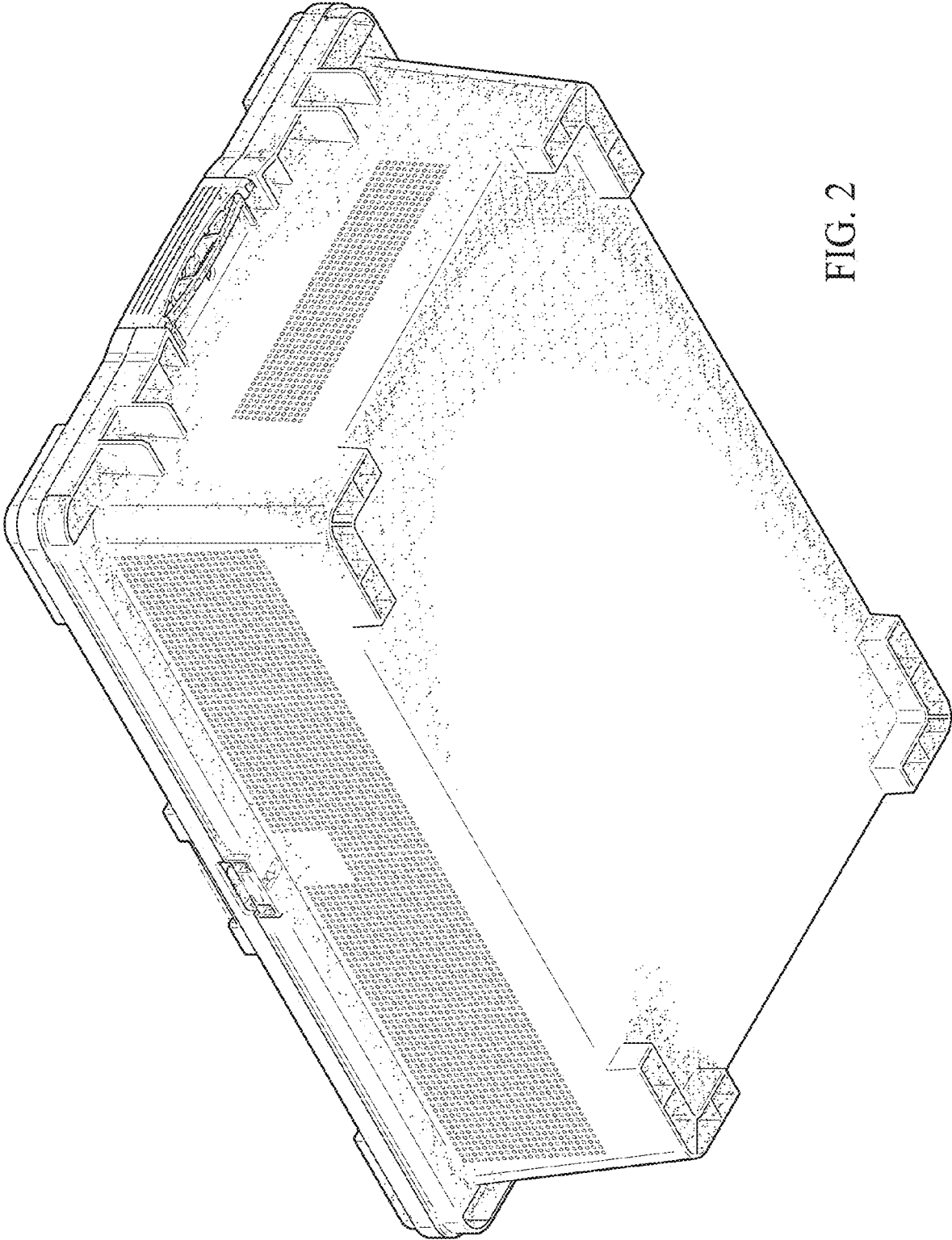


FIG. 2

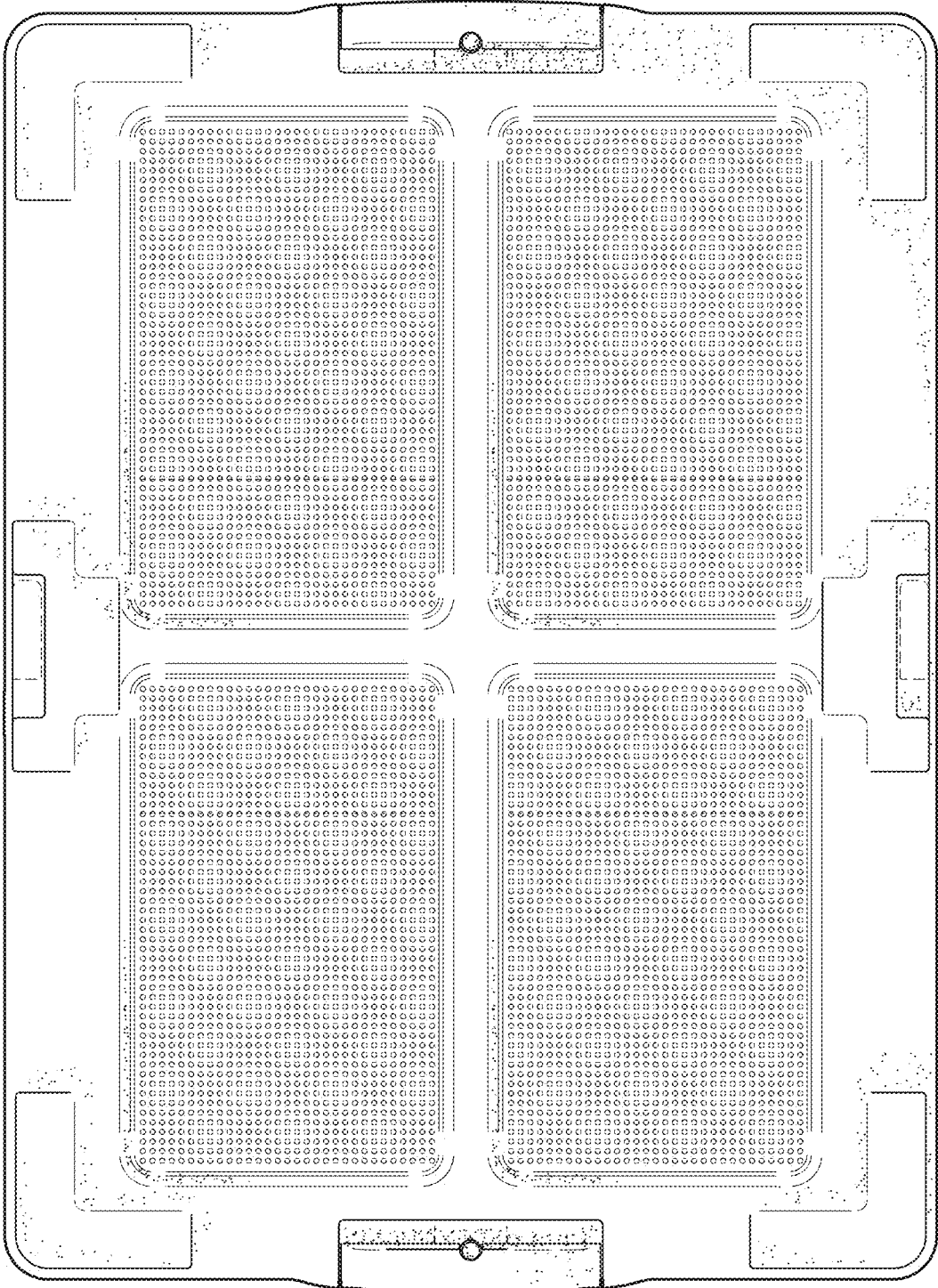


FIG. 3

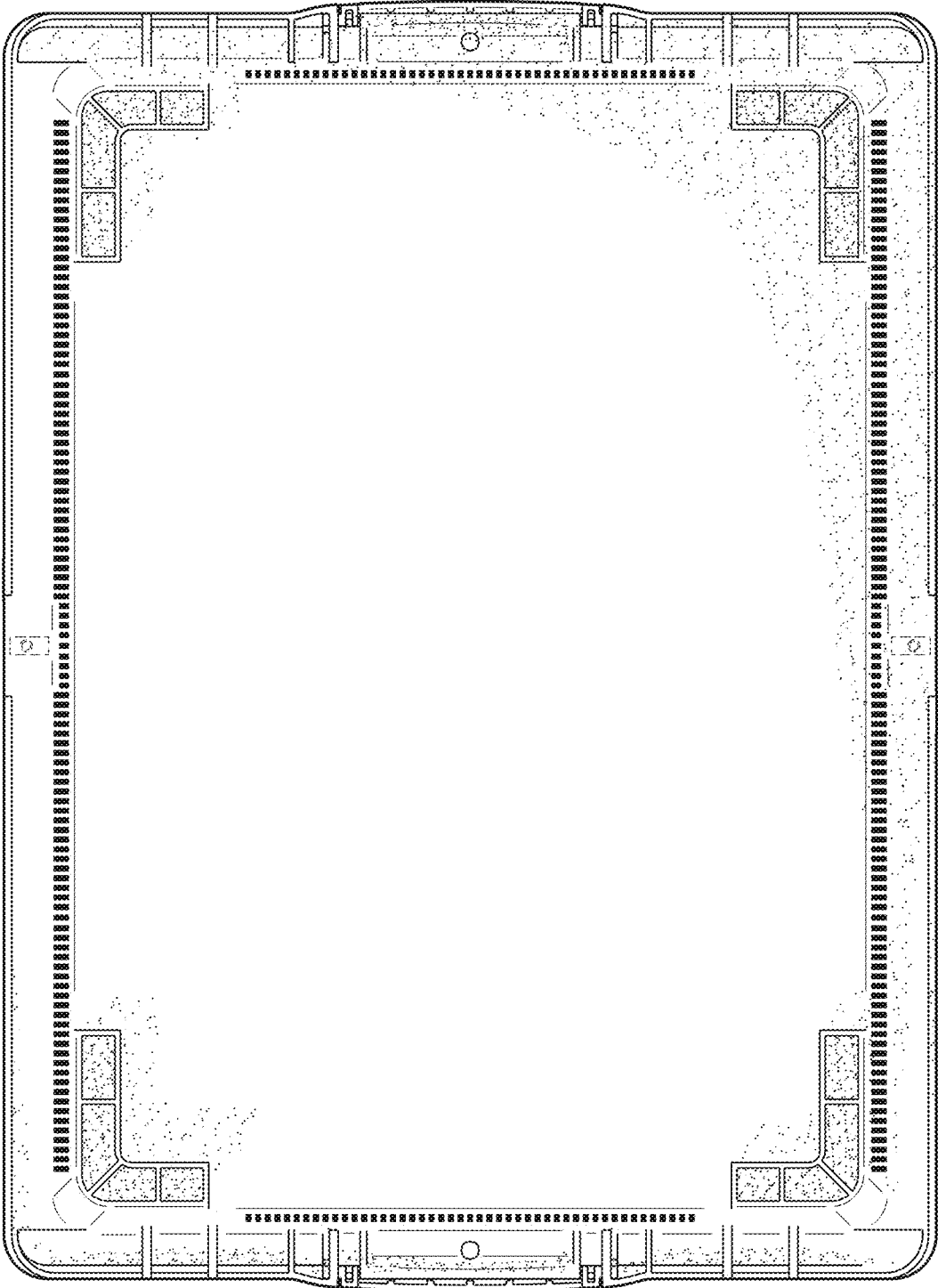


FIG. 4

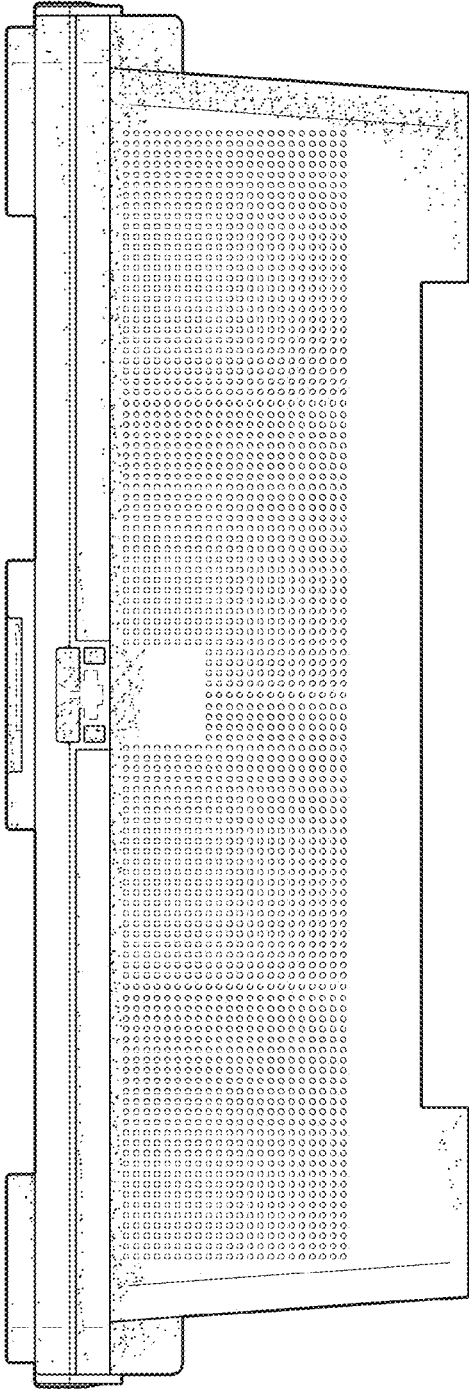


FIG. 5

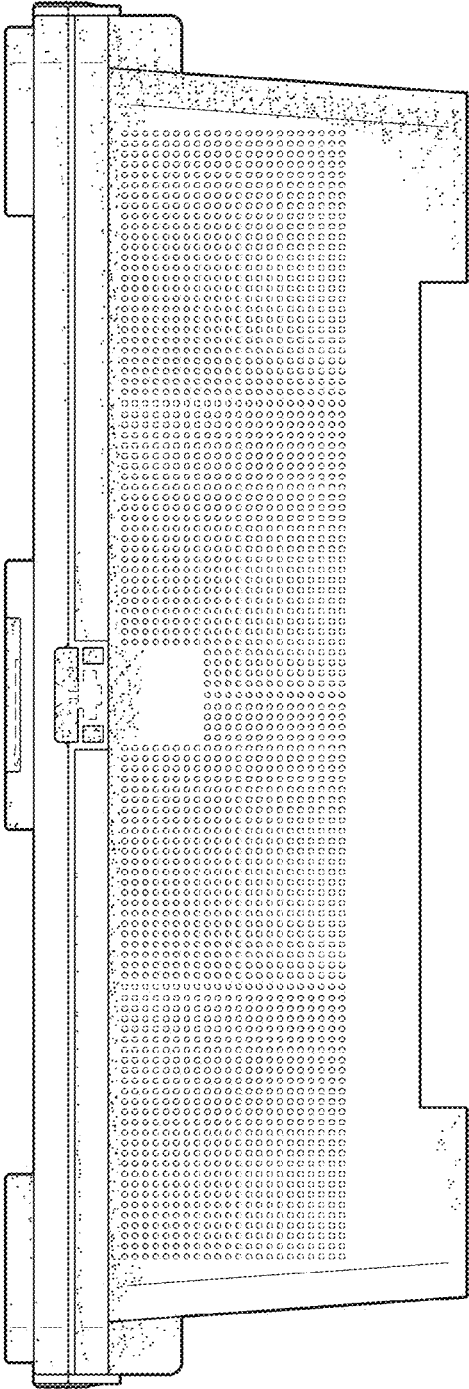


FIG. 6

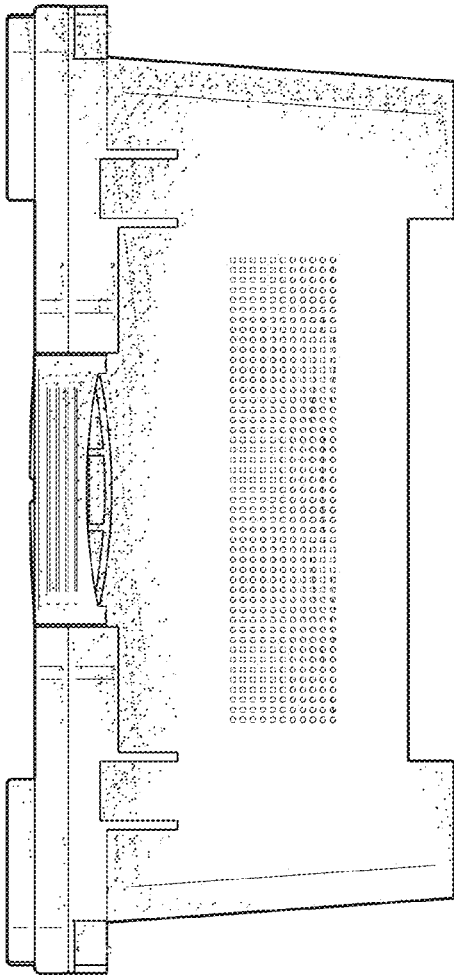


FIG. 7

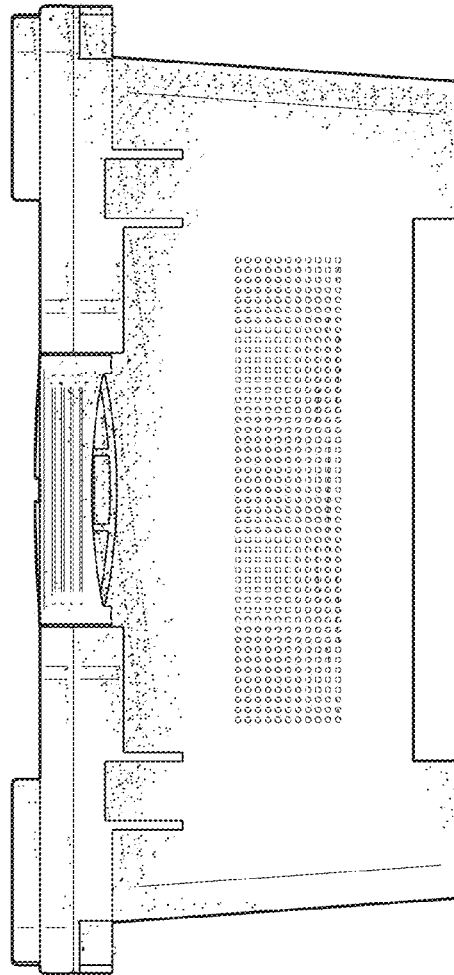


FIG. 8

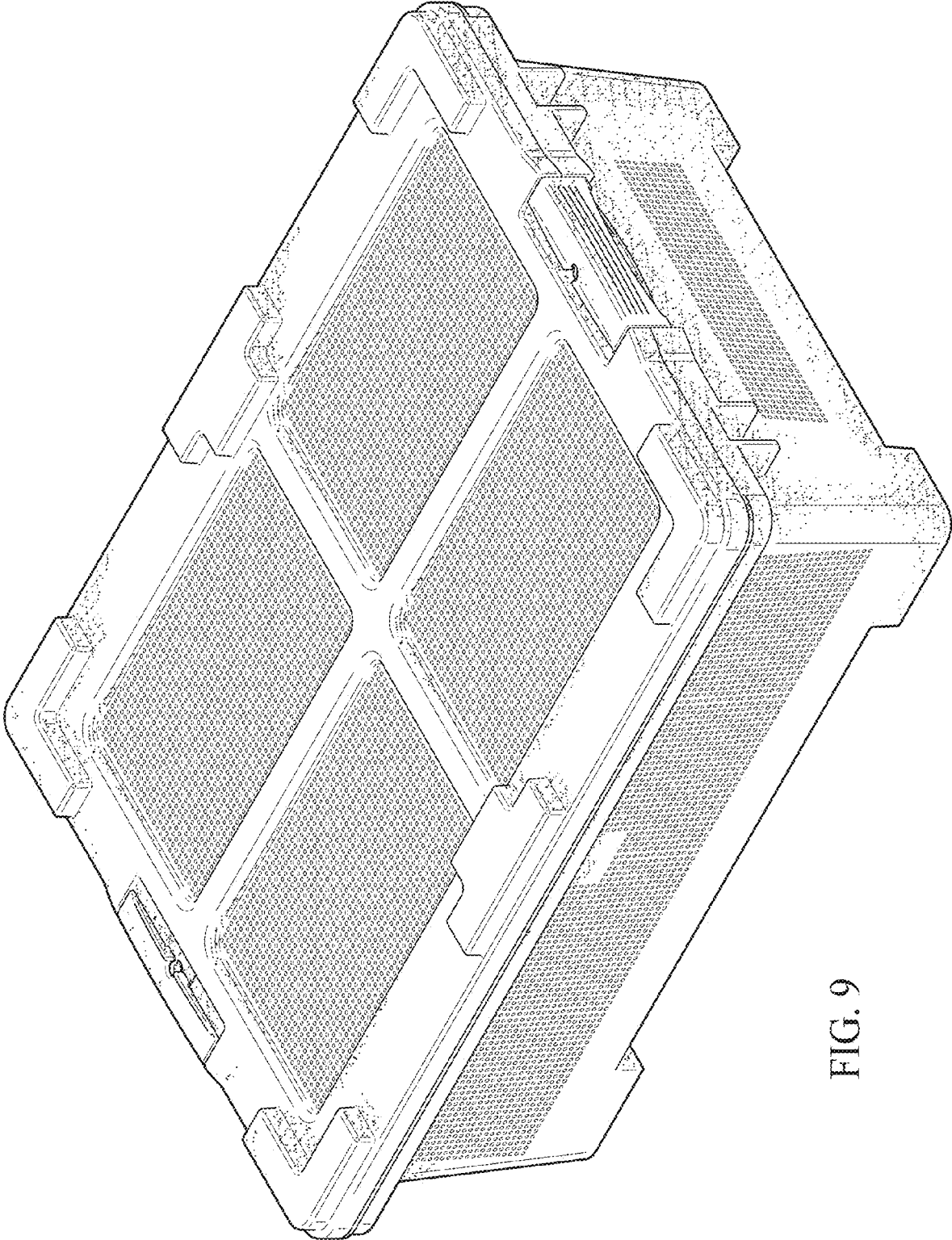


FIG. 9

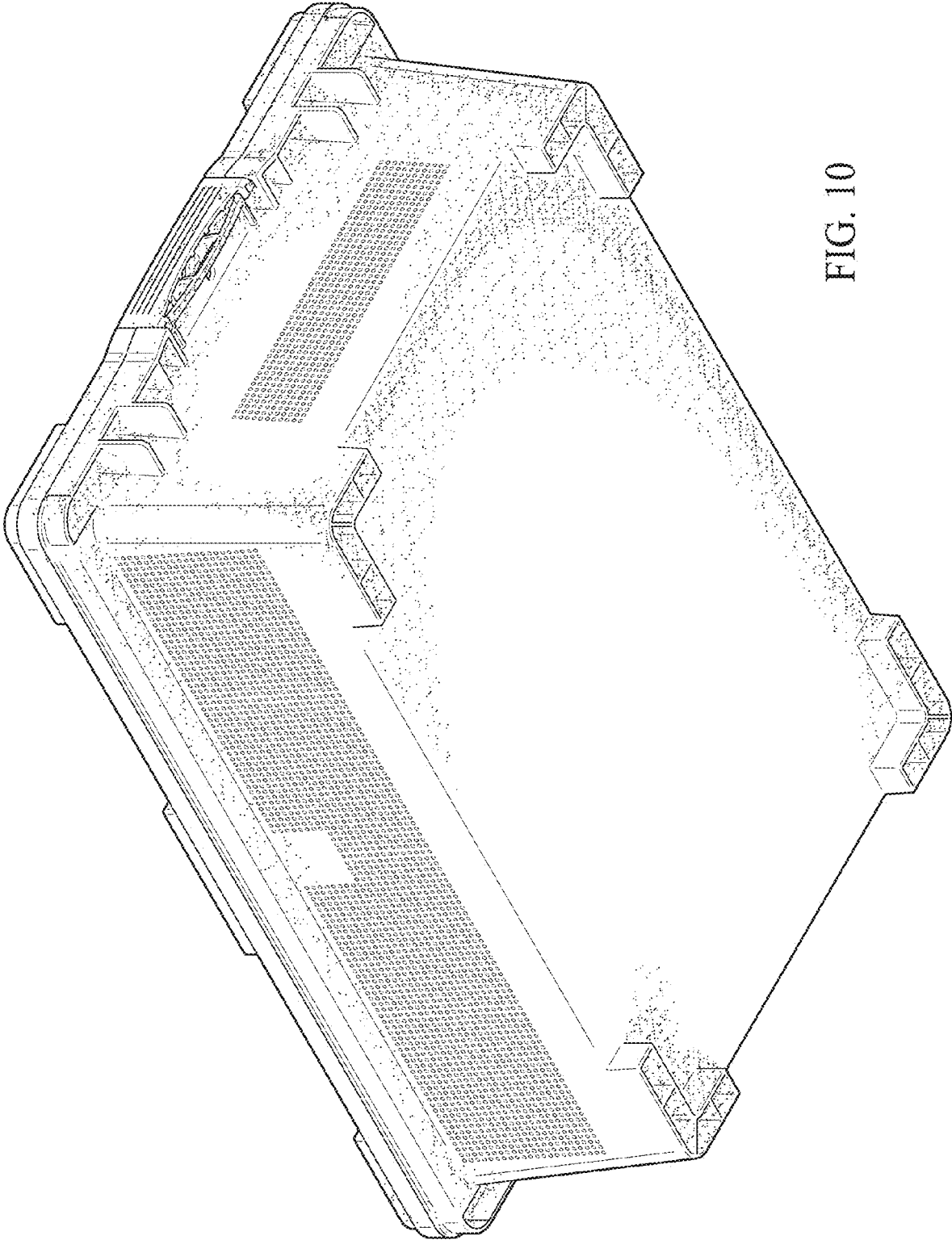


FIG. 10

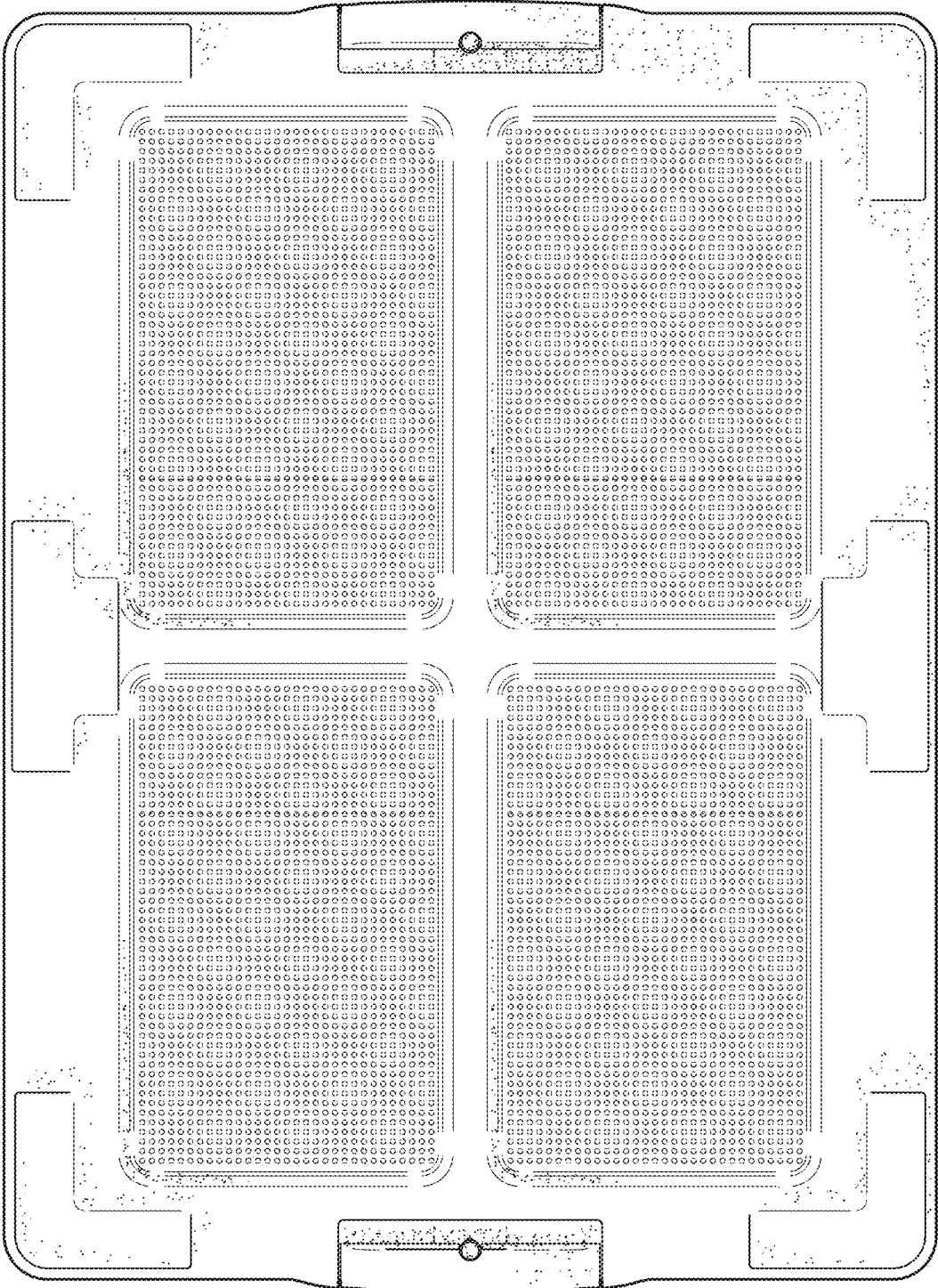


FIG. 11

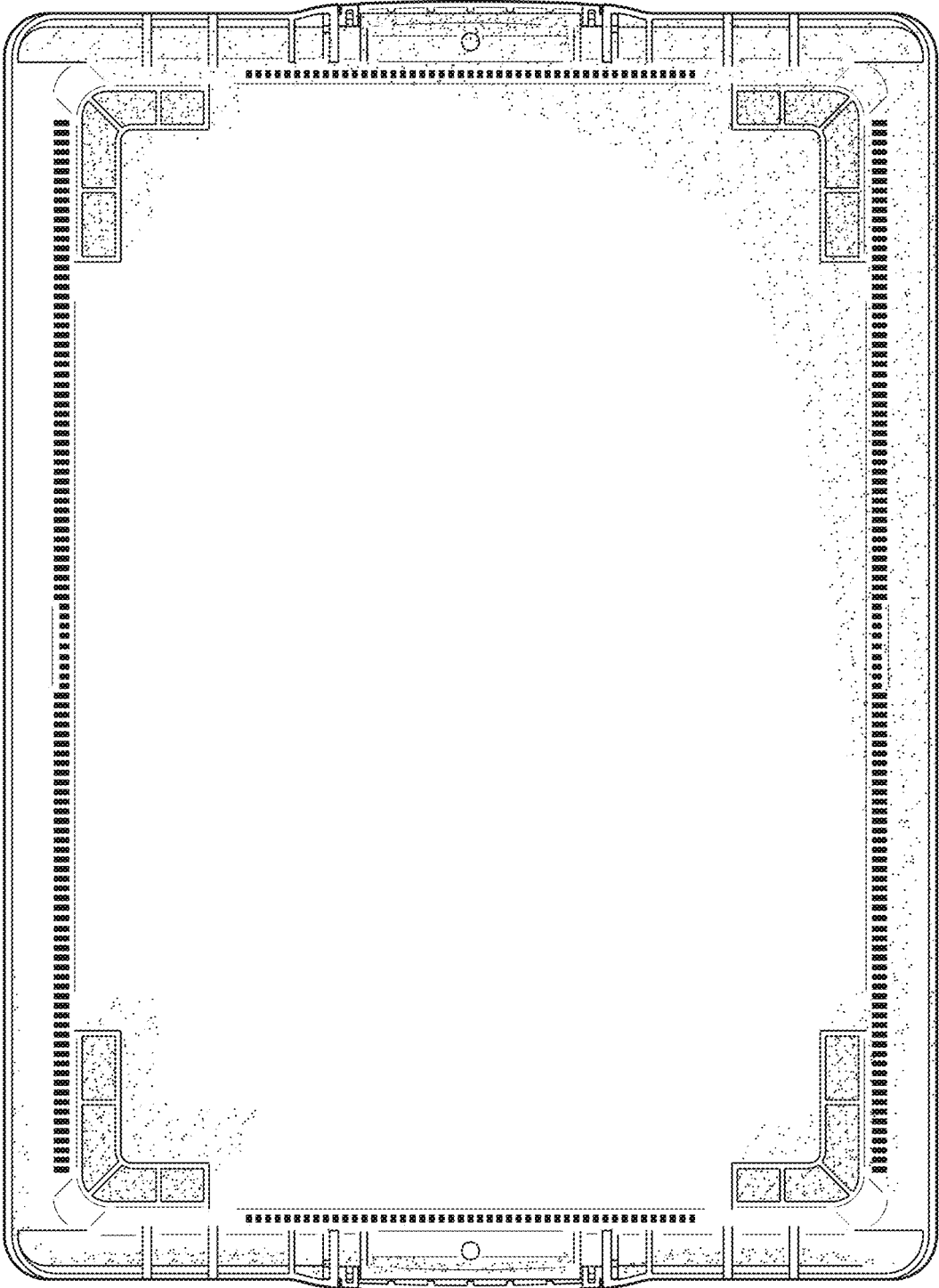


FIG. 12

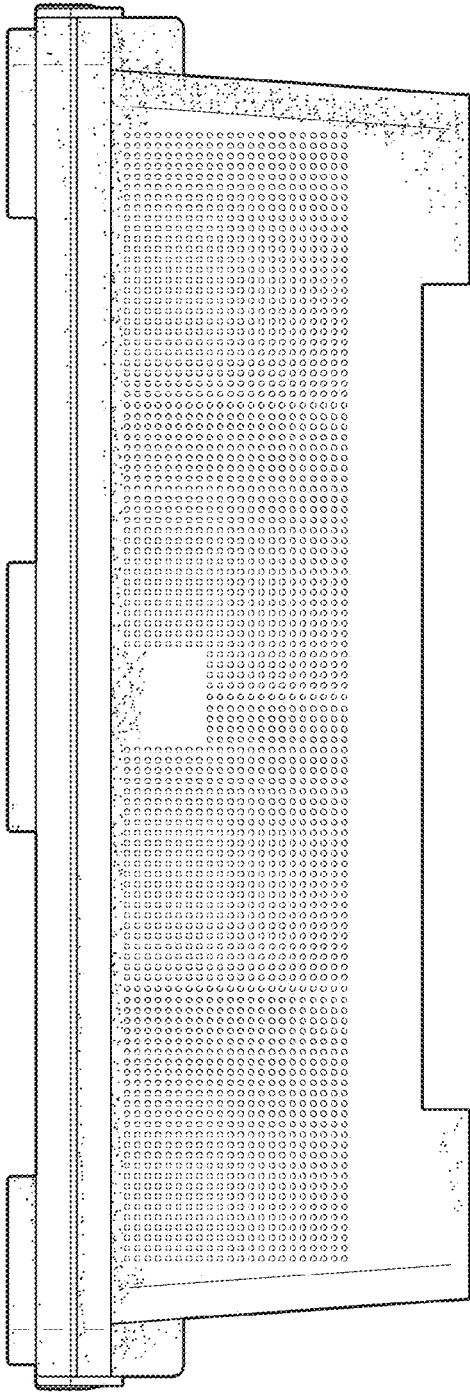


FIG. 13

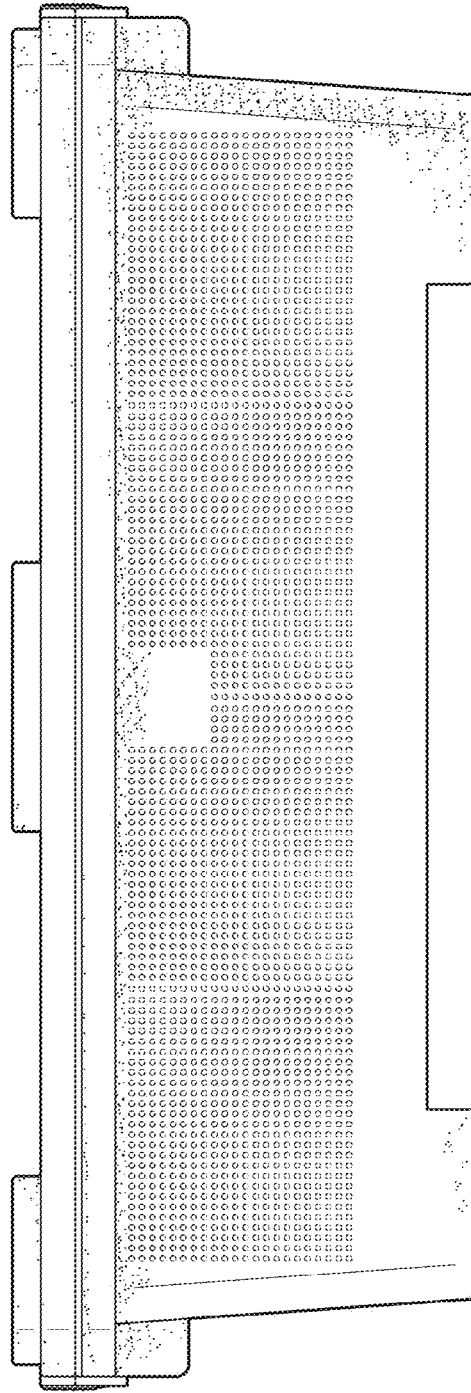


FIG. 14

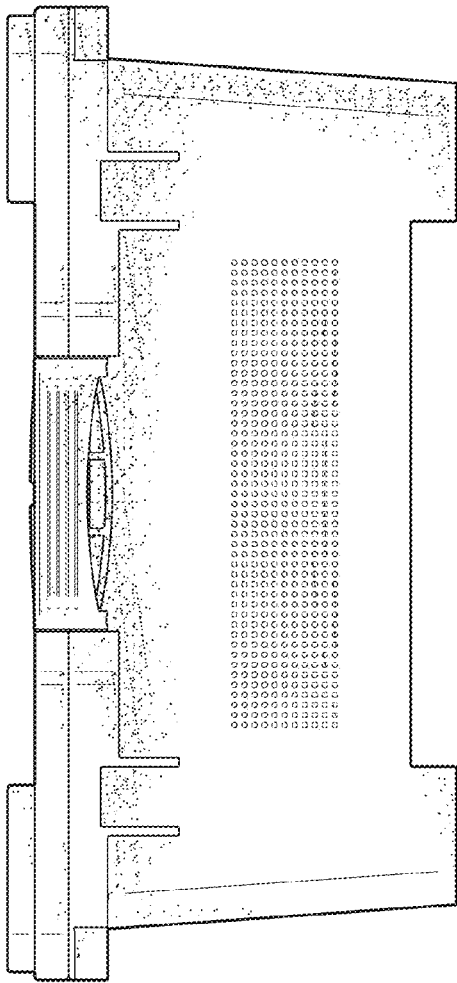


FIG. 15

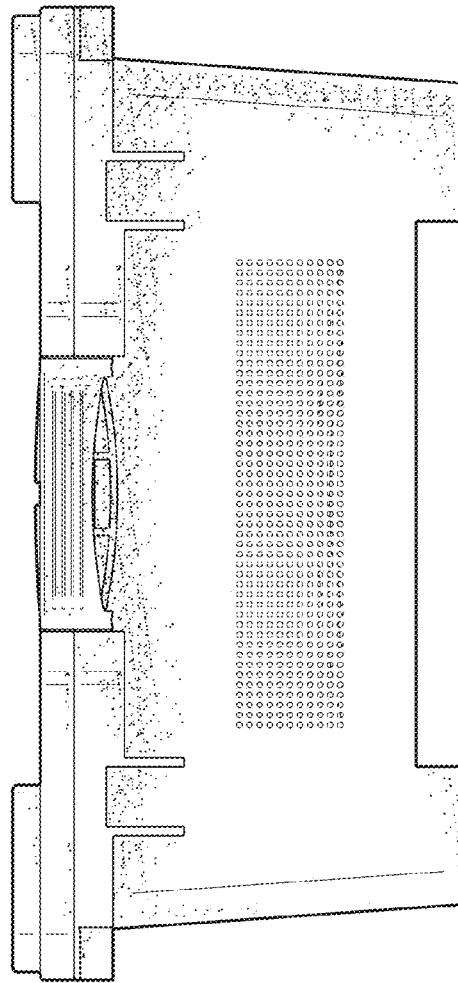


FIG. 16

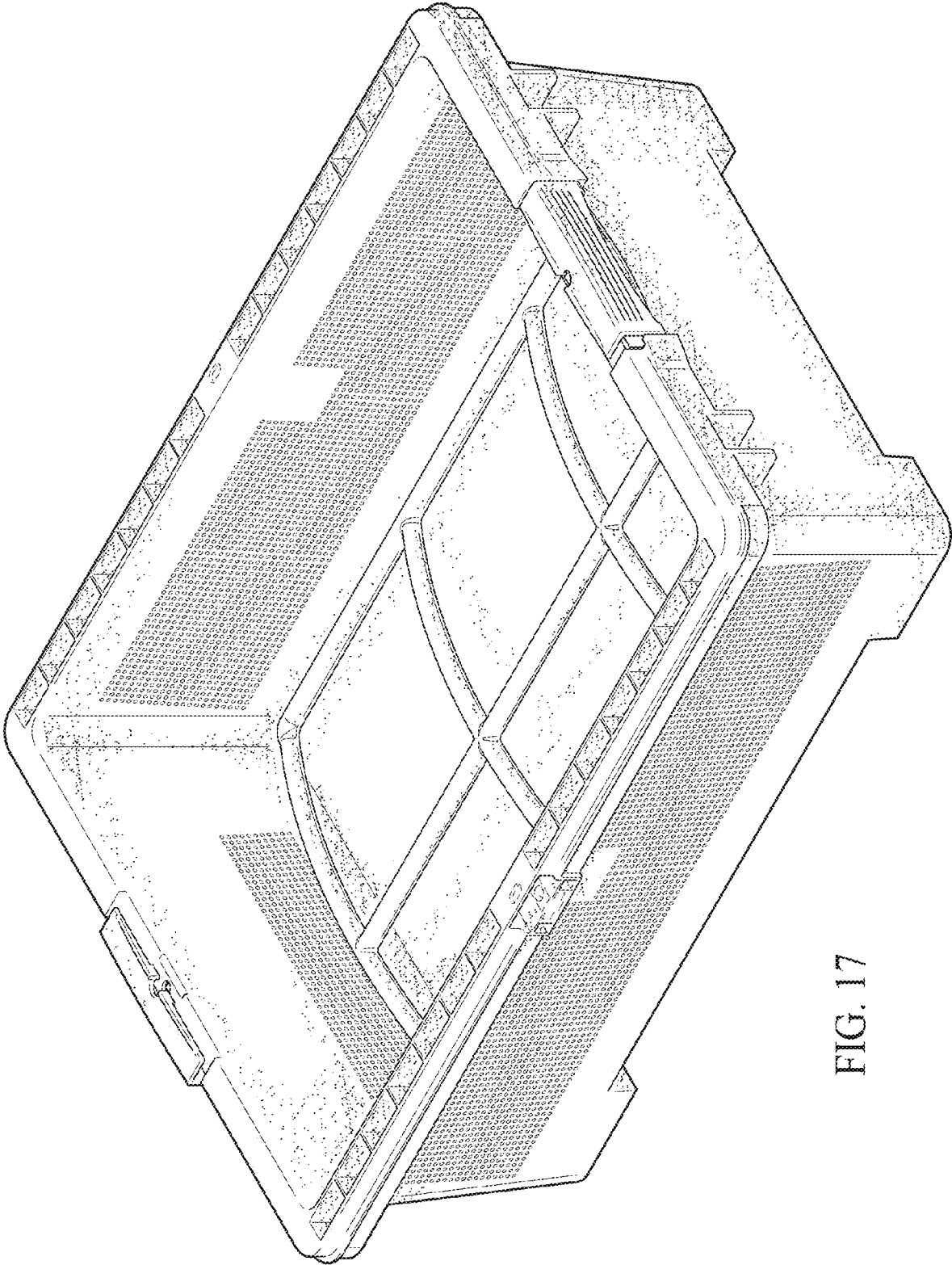


FIG. 17

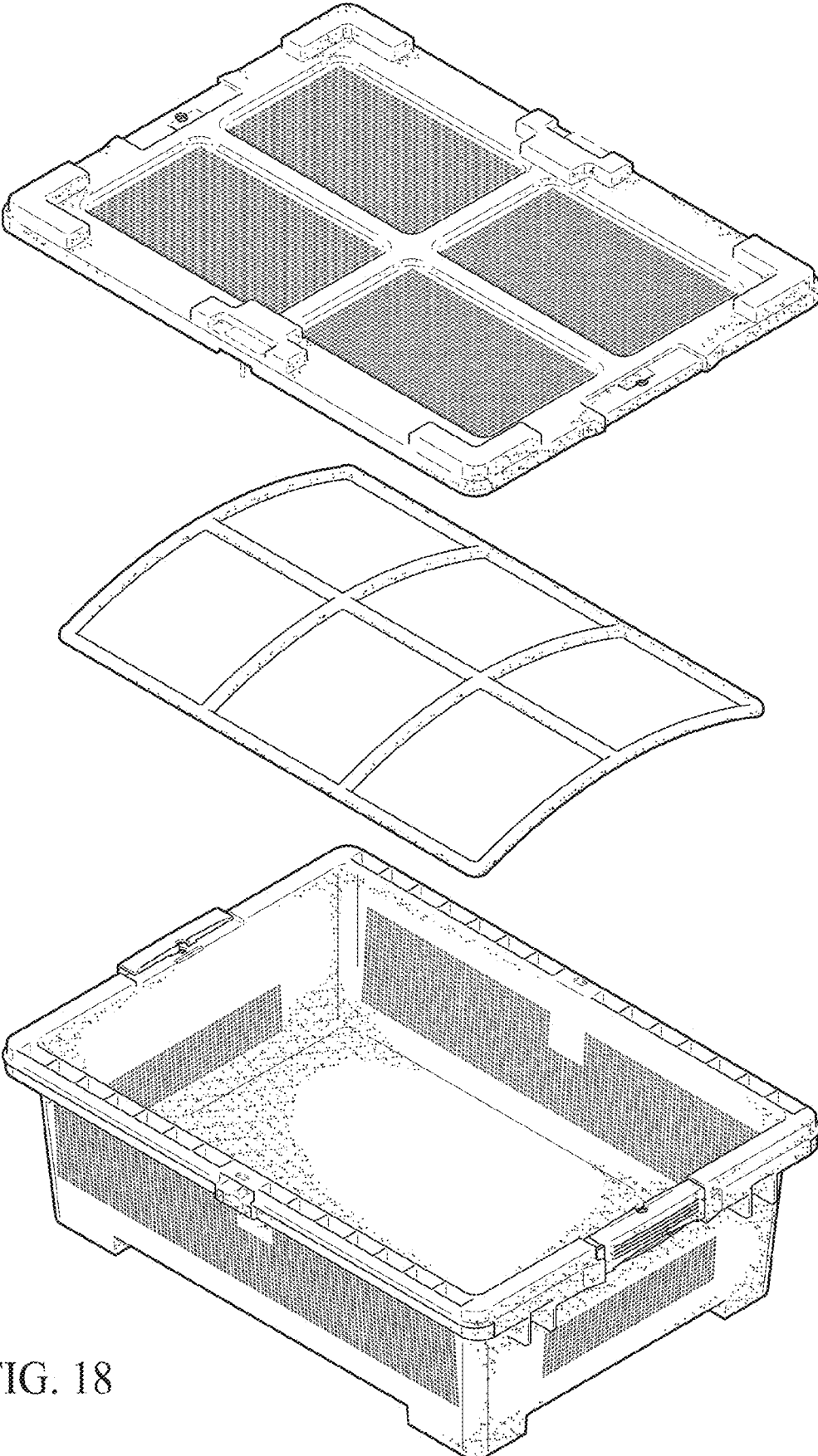


FIG. 18