



US00D794117S

(12) **United States Design Patent**
Suzuki

(10) **Patent No.:** **US D794,117 S**

(45) **Date of Patent:** **** Aug. 8, 2017**

(54) **TONER CONTAINER**

DESCRIPTION

(71) Applicant: **Michiharu Suzuki**, Ohta-ku (JP)

(72) Inventor: **Michiharu Suzuki**, Ohta-ku (JP)

(73) Assignee: **RICOH COMPANY, LTD.**, Tokyo (JP)

(**) Term: **14 Years**

(21) Appl. No.: **29/514,230**

(22) Filed: **Jan. 9, 2015**

(30) **Foreign Application Priority Data**

Jul. 14, 2014 (JP) 2014-015352

(51) **LOC (10) Cl.** **16-03**

(52) **U.S. Cl.**
USPC **D18/43**

(58) **Field of Classification Search**
USPC D18/12, 18, 36, 40, 43, 44, 56; D14/230,
D14/471, 474, 475; D9/500; D8/20, 98;
(Continued)

(56) **References Cited**

U.S. PATENT DOCUMENTS

D505,695 S * 5/2005 Naraoka D18/43
D531,662 S * 11/2006 Tsuda D18/43
(Continued)

OTHER PUBLICATIONS

U.S. Appl. No. 29/514,242, filed Jan. 9, 2015, Suzuki.
U.S. Appl. No. 29/514,242, filed Jan. 9, 2015.

Primary Examiner — Wan Laymon
Assistant Examiner — Clint A Samuel

(74) *Attorney, Agent, or Firm* — Oblon, McClelland,
Maier & Neustadt, L.L.P.

(57) **CLAIM**

The ornamental design for a toner container, as shown and described.

FIG. 1 is a front, top, and right side perspective view of a toner container;

FIG. 2 is a detail view showing a partial enlarged front, top, and right side perspective view thereof, along line 2-2 in FIG. 1;

FIG. 3 is a rear, top, and right side perspective view thereof; FIG. 4 is a detail view showing a partial enlarged rear, top, and right side perspective view thereof, along line 4-4 in FIG. 3;

FIG. 5 is a rear, bottom, and right side perspective view thereof;

FIG. 6 is a detail view showing a partial enlarged rear, bottom, and right side perspective view thereof, along line 6-6 in FIG. 5;

FIG. 7 is a front, bottom, and right side perspective view thereof;

FIG. 8 is a detail view showing a partial enlarged front, bottom, and right side perspective view thereof, along line 8-8 in FIG. 7;

FIG. 9 is a front elevational view thereof;

FIG. 10 is a rear elevational view thereof;

FIG. 11 is a top plan view thereof;

FIG. 12 is a bottom plan view thereof;

FIG. 13 is a left side elevational view thereof;

FIG. 14 is a right side elevational view thereof;

FIG. 15 is a detail view showing a partial enlarged front elevational view thereof, along line 15-15 in FIG. 9;

FIG. 16 is a detail view showing a partial enlarged rear elevational view thereof, along line 16-16 in FIG. 10;

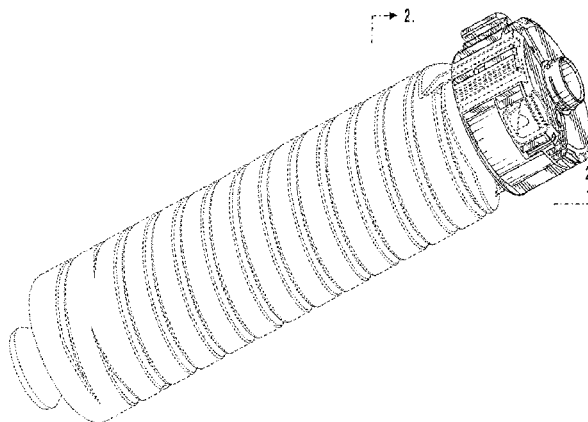
FIG. 17 is a detail view showing a partial enlarged top plan view thereof, along line 17-17 in FIG. 11;

FIG. 18 is a detail view showing a partial enlarged bottom plan view thereof, along line 18-18 in FIG. 12;

FIG. 19 is an enlarged left side elevational view thereof; and, FIG. 20 is an enlarged right side elevational view thereof.

The shorter broken lines in the drawings depict environmental subject matter only and form no part of the claimed design. The longer broken lines in FIGS. 2, 4, 6, 8, and 15-18 correspond to the area defined by line 2-2 in FIG. 1, line 4-4 in FIG. 3, line 6-6 in FIG. 5, line 8-8 in FIG. 7, line 15-15

(Continued)



in FIG. 9, line 16-16 in FIG. 10, line 17-17 in FIG. 11, and line 18-18 in FIG. 12, respectively, and form no part of the claimed design.

B23B 2260/072; B23B 2260/07; B27B 5/12; A61C 15/02; E01B 9/06

See application file for complete search history.

1 Claim, 16 Drawing Sheets

(56)

References Cited

U.S. PATENT DOCUMENTS

(58) **Field of Classification Search**

USPC D7/650, 635; D15/138, 139; 399/24-27, 399/91, 106-112, 194, 196, 197, 399/222-224, 258, 262, 411; 347/49, 347/197, 214, 222; 400/194, 196; 408/204, 208; 30/165, 388; 137/15.14; 299/105; 606/45; D2/639; D19/65, 86, D19/127, 195, 906; D11/202, 204, 207, D11/215, 222; D3/215; 24/66.5, 67.9; 63/20; 215/252, 227; D16/200; D28/65; 238/366, 367; 433/3; 132/309, 321, 324, 132/329
 CPC G03G 15/08; G03G 15/0832; G03G 15/0834; G03G 15/0836; G03G 15/0837; G03G 15/0867; G03G 15/0868; G03G 2215/067; G03G 2215/0668; G03G 21/1619; Y10S 222/01; B23B 51/0406;

D532,037	S *	11/2006	Tsuda	D18/43
D571,394	S *	6/2008	Lin	D18/43
D591,336	S *	4/2009	Kurenuma	D18/43
D596,225	S *	7/2009	Kurenuma	D18/43
D598,490	S *	8/2009	Kurenuma	D18/43
D599,845	S *	9/2009	Kurenuma	D18/43
D600,275	S *	9/2009	Kurenuma	D18/43
D602,985	S *	10/2009	Yoshizawa	D18/43
D607,044	S *	12/2009	Kurenuma	D18/43
D607,045	S *	12/2009	Kurenuma	D18/43
D620,523	S *	7/2010	Yoshida	D18/43
D622,311	S *	8/2010	Yoshida	D18/43
D622,312	S *	8/2010	Yoshida	D18/43
D636,436	S *	4/2011	Takami	D18/43
D636,813	S *	4/2011	Kikuchi	D18/43
D652,074	S *	1/2012	Sakai	D18/43
2003/0103782	A1 *	6/2003	Dilanni G03G	15/0867 399/262

* cited by examiner

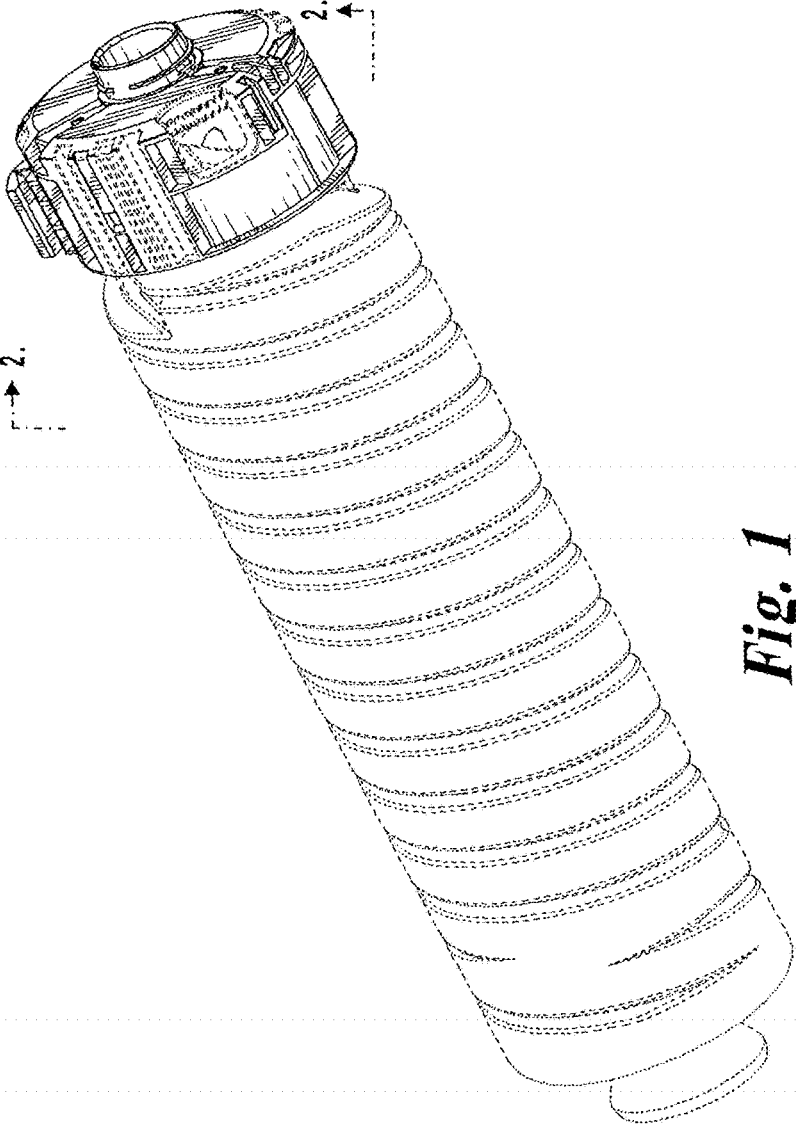


Fig. 1

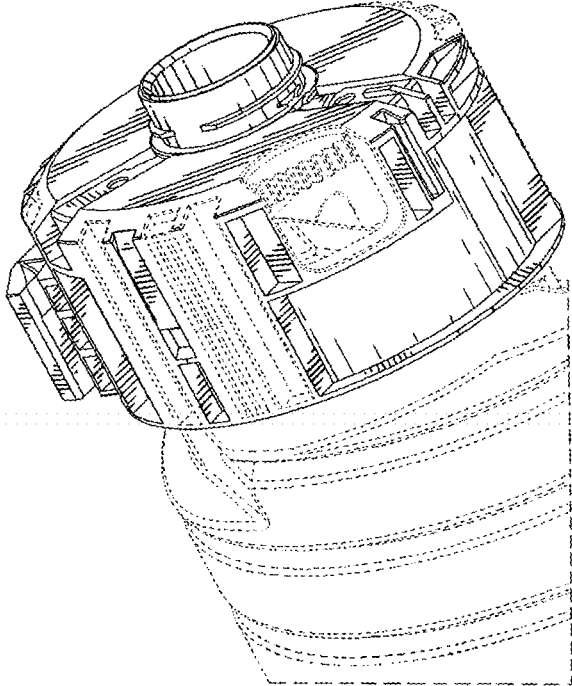


Fig. 2

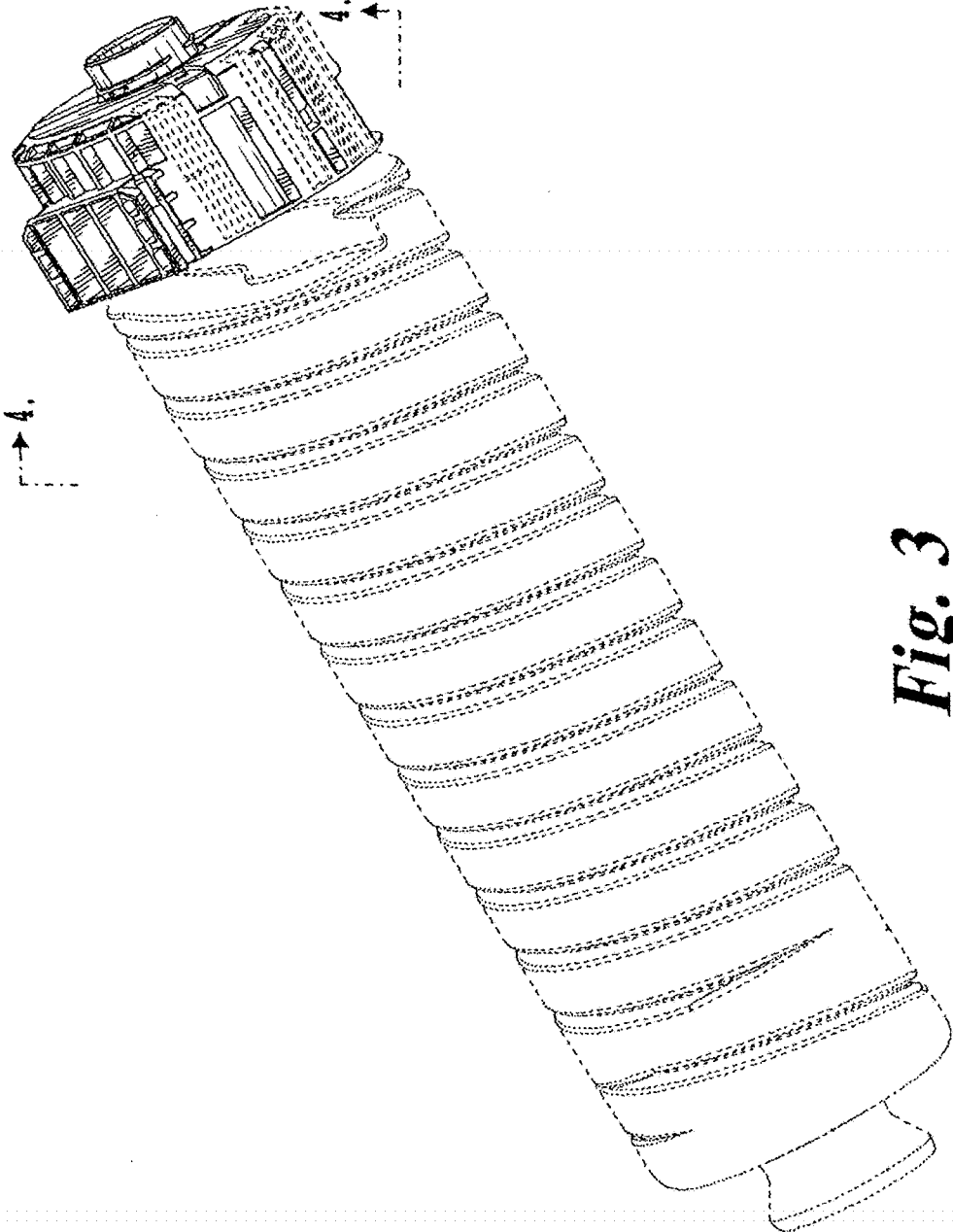


Fig. 3

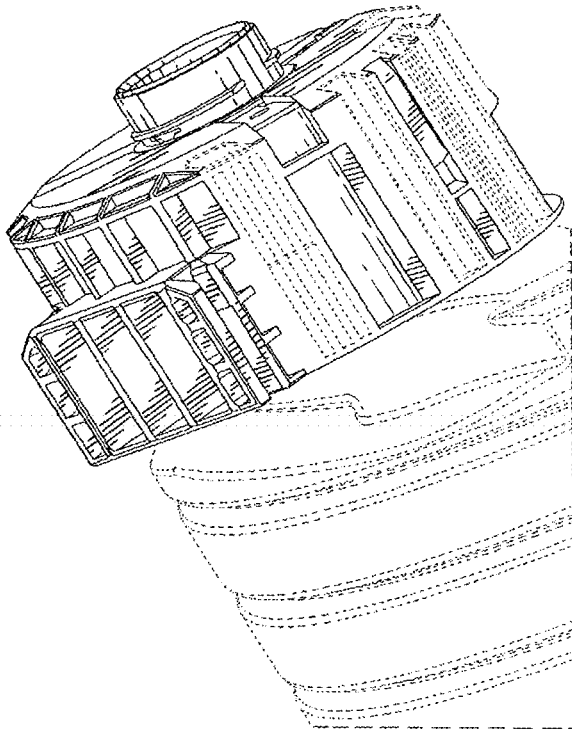


Fig. 4

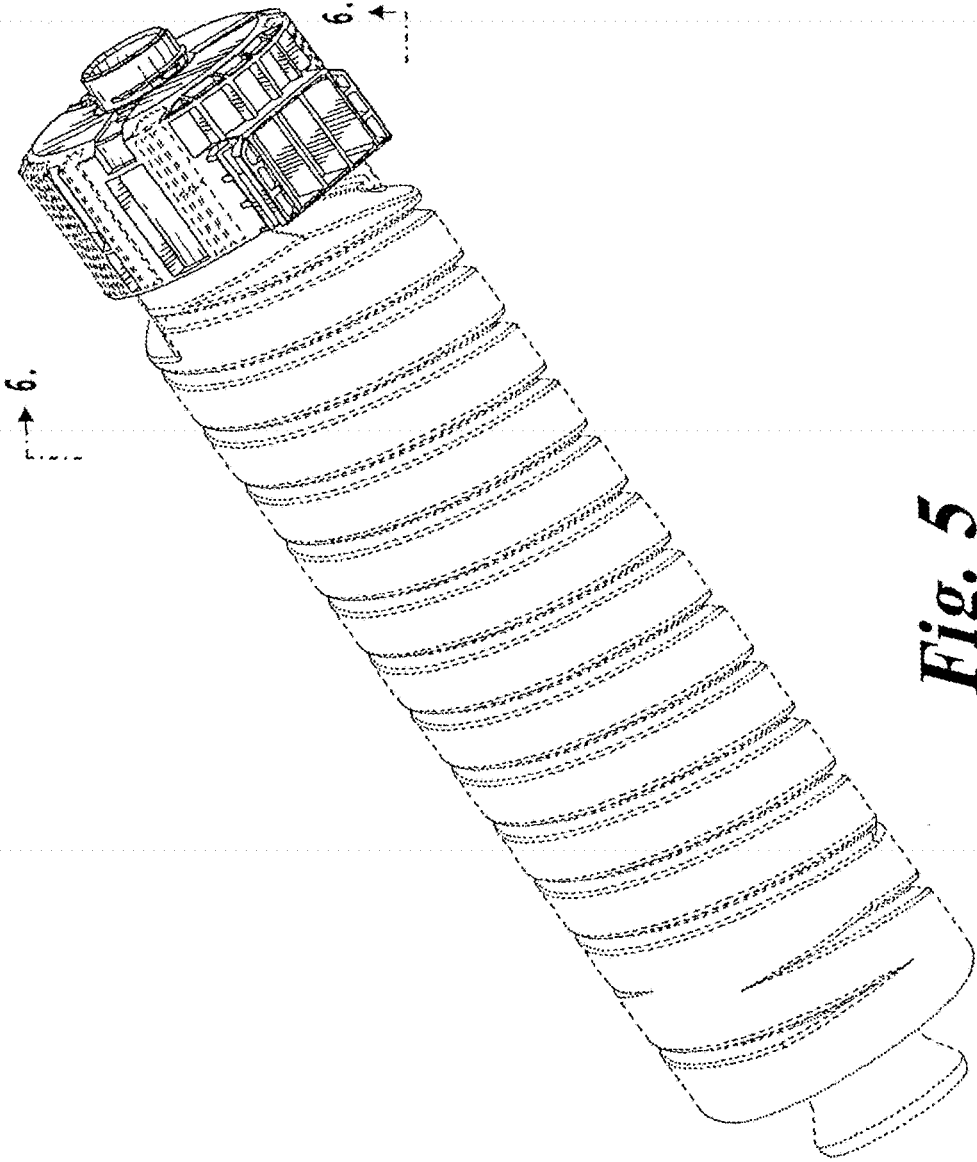


Fig. 5

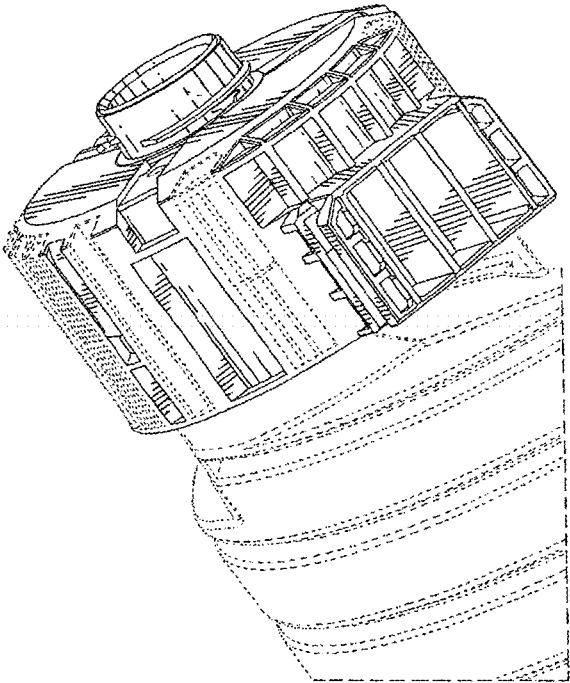


Fig. 6

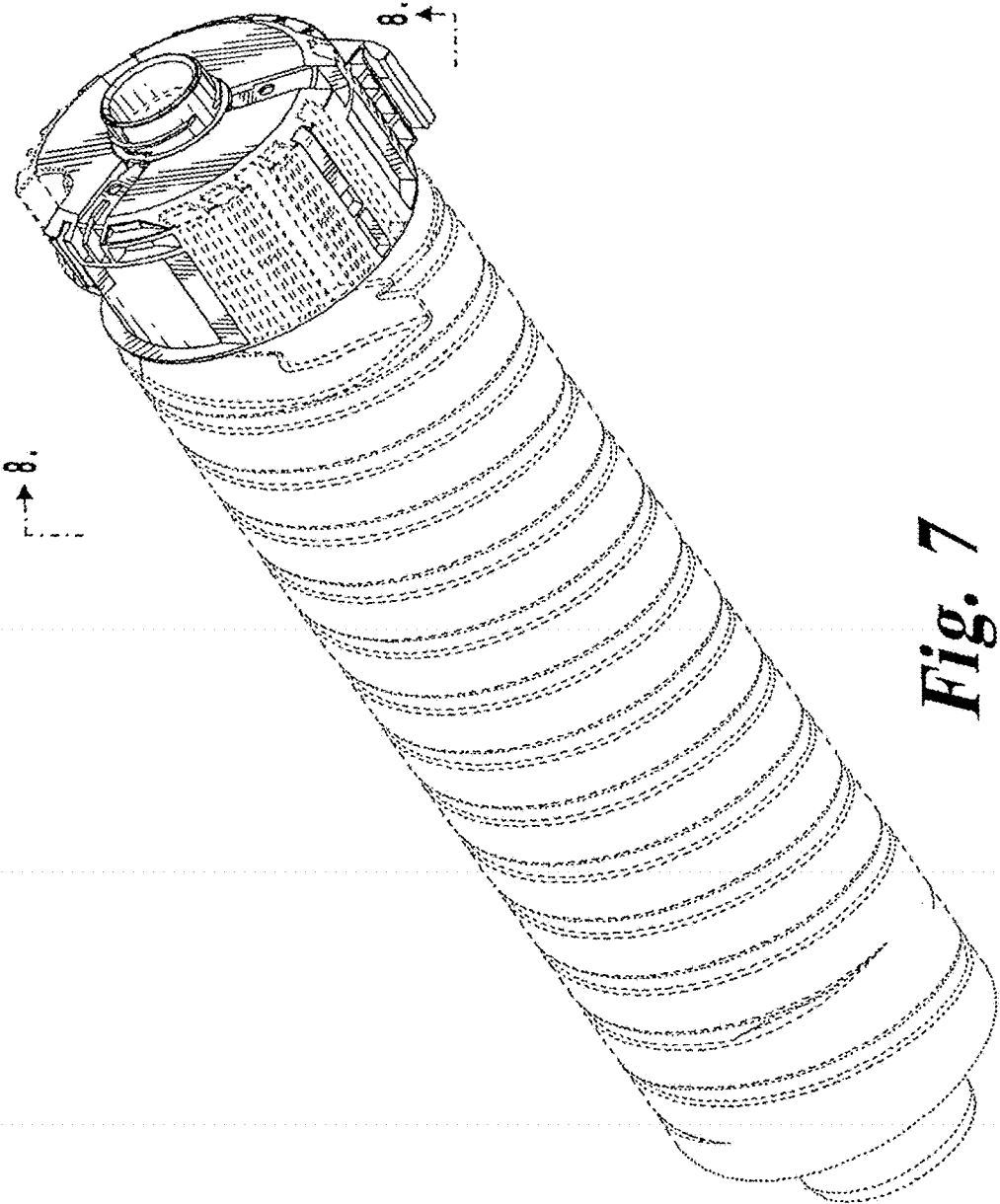


Fig. 7

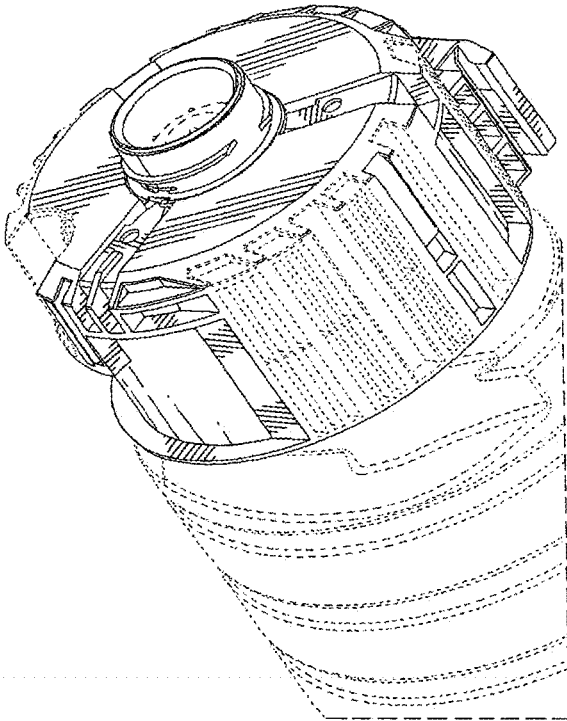


Fig. 8

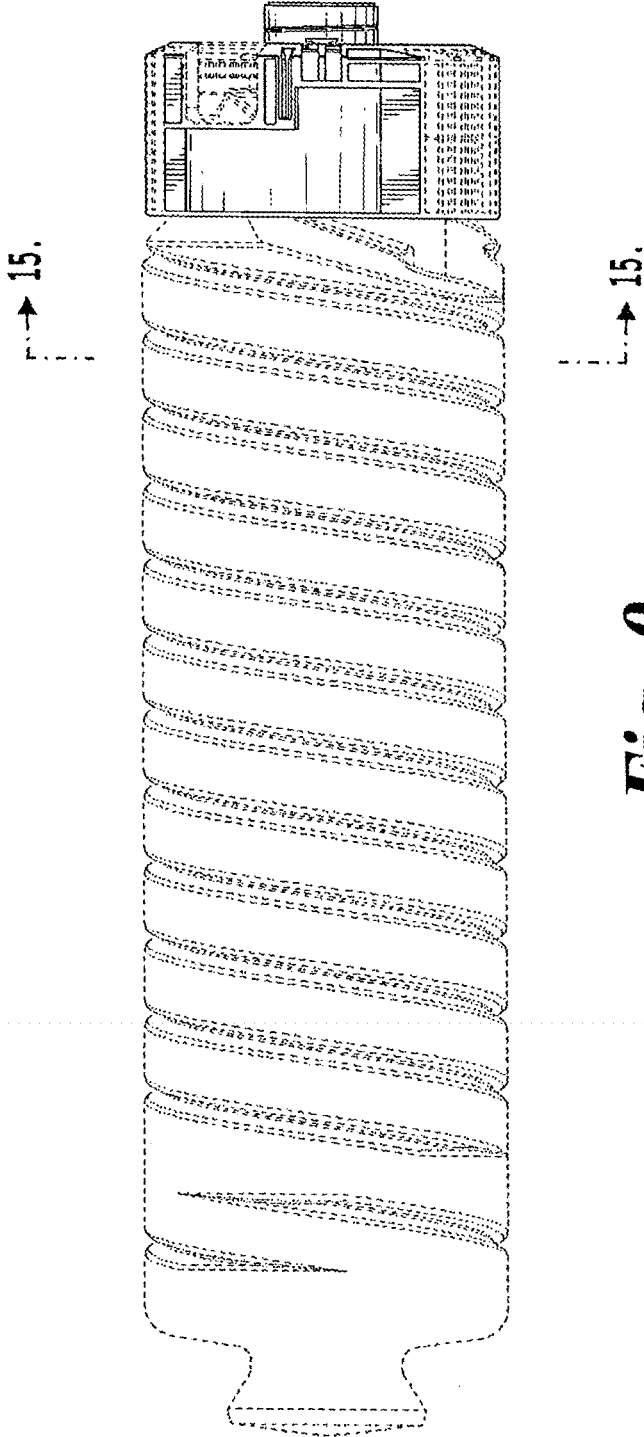


Fig. 9

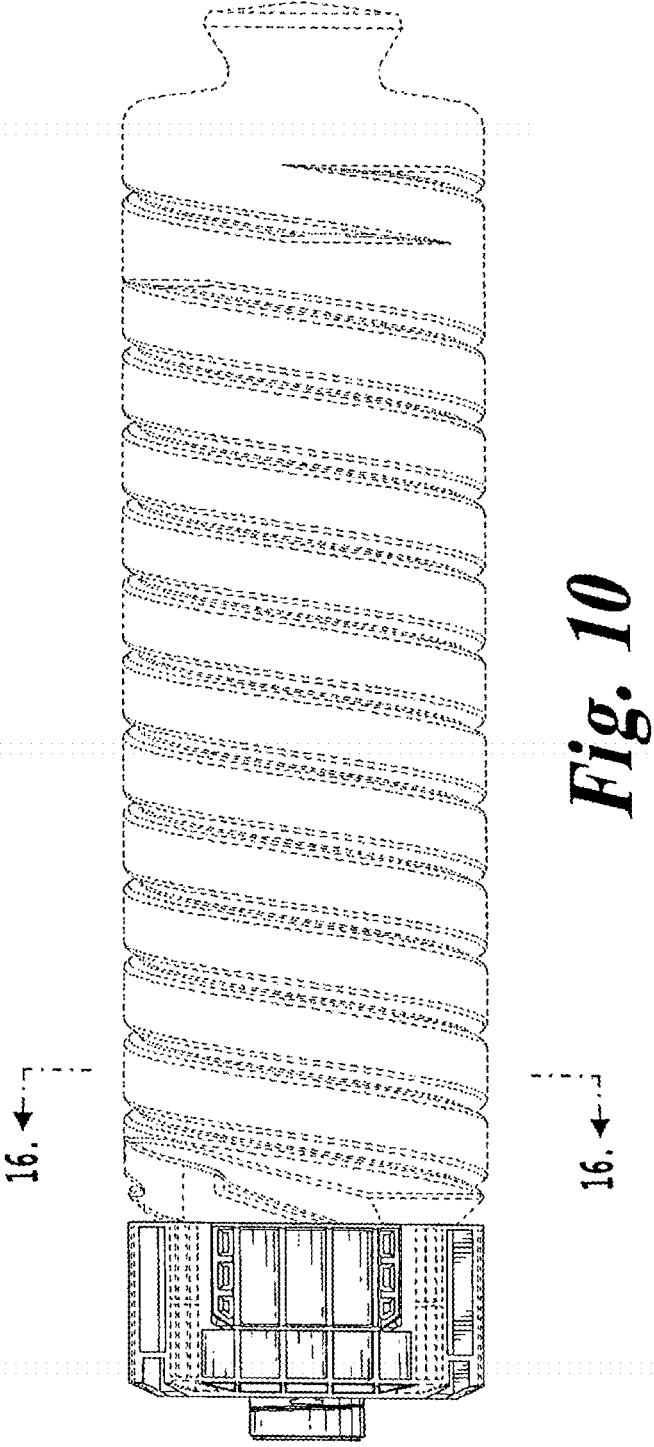


Fig. 10

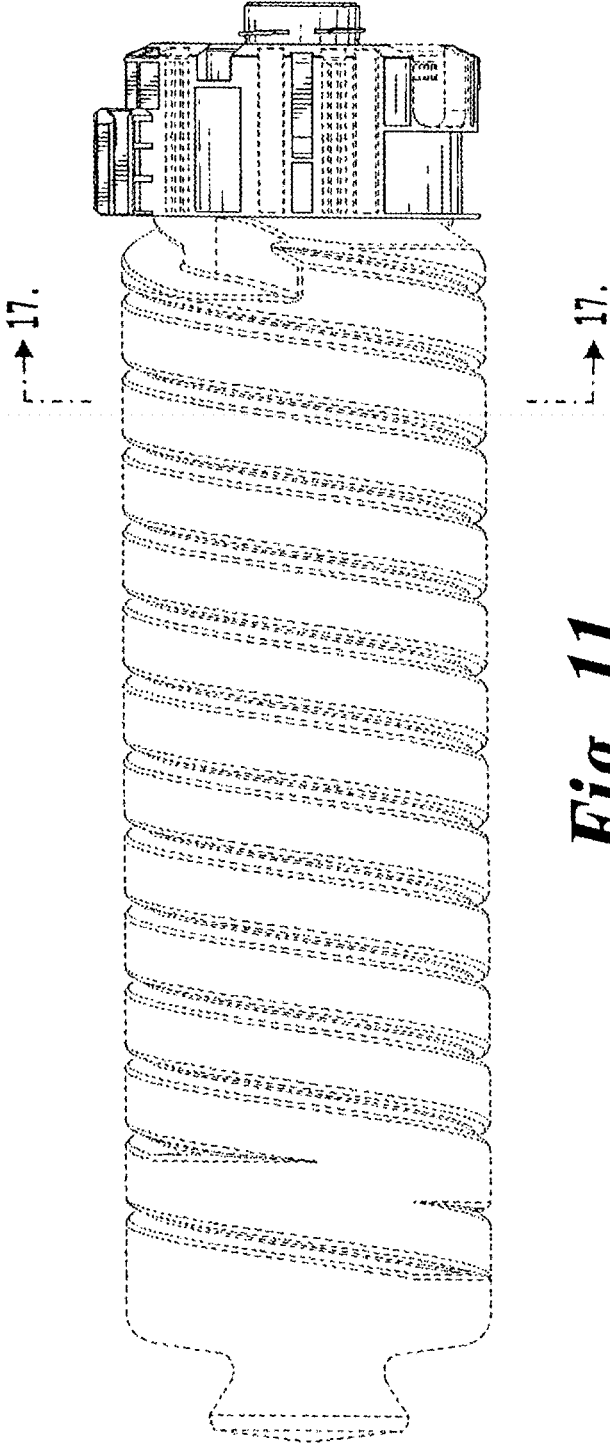


Fig. 11

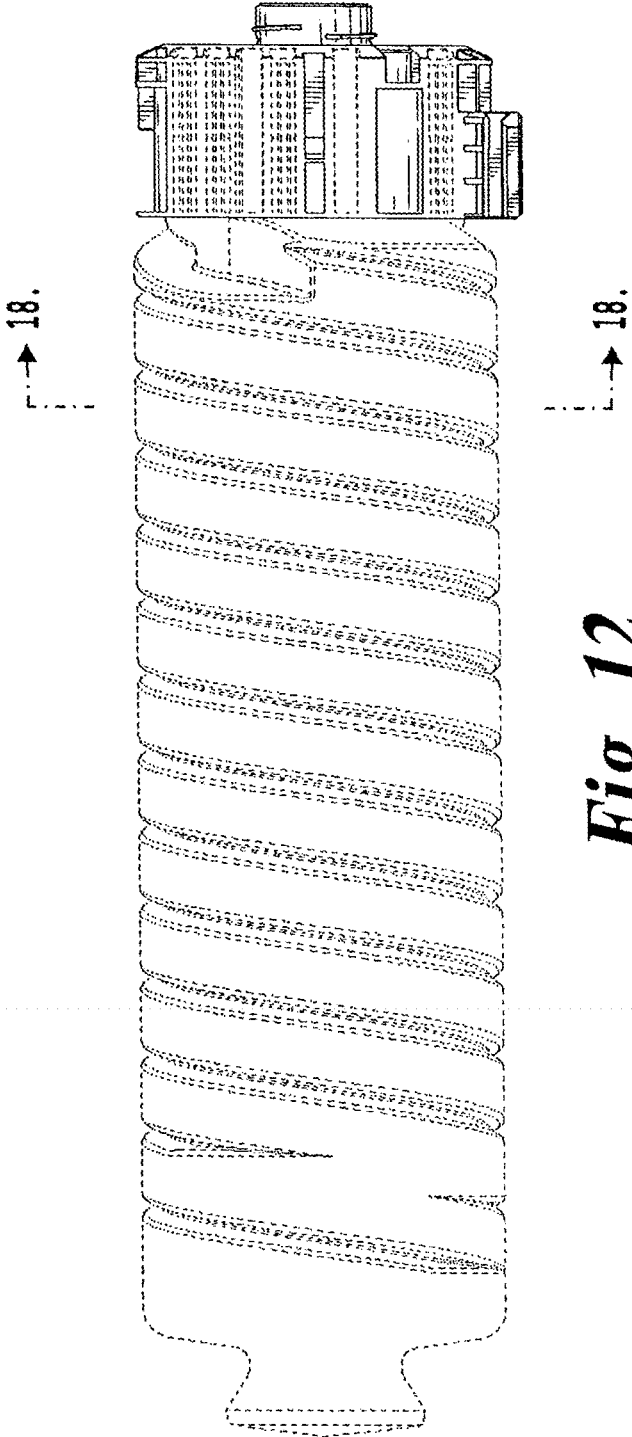


Fig. 12

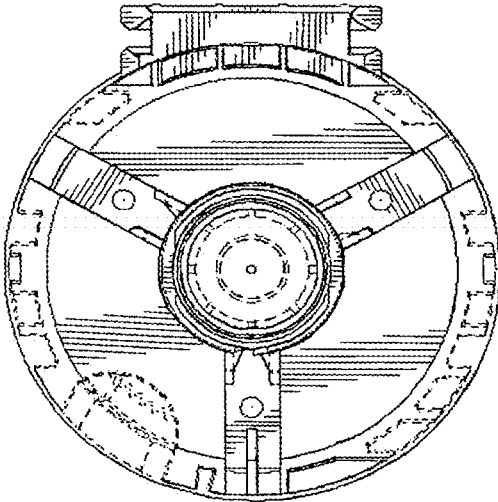


Fig. 14

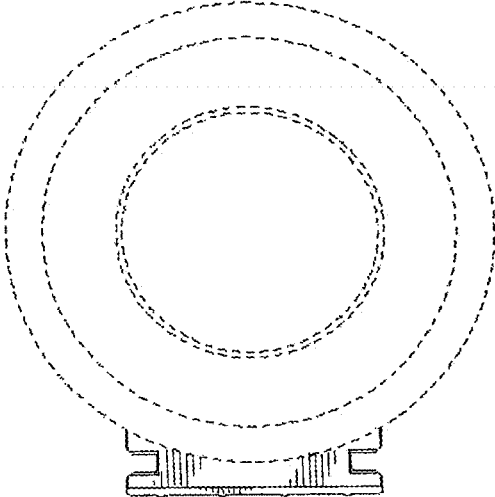


Fig. 13

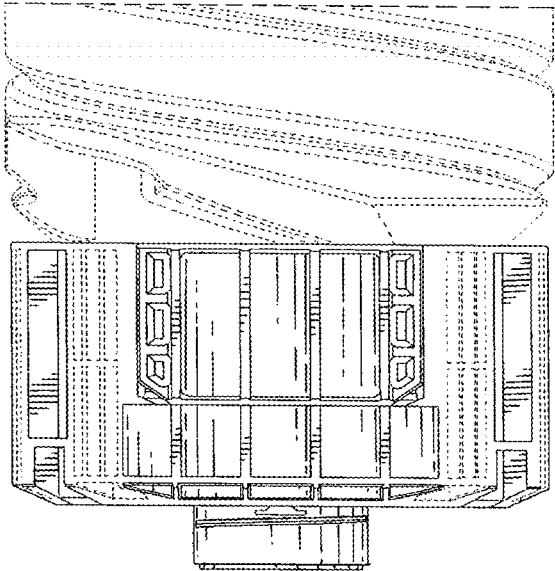


Fig. 16

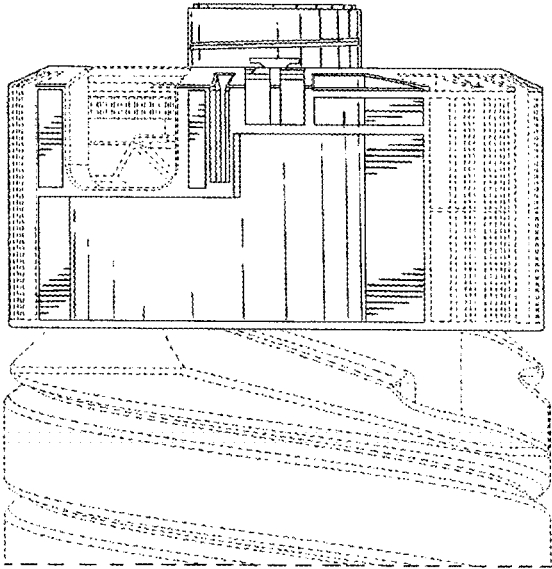


Fig. 15

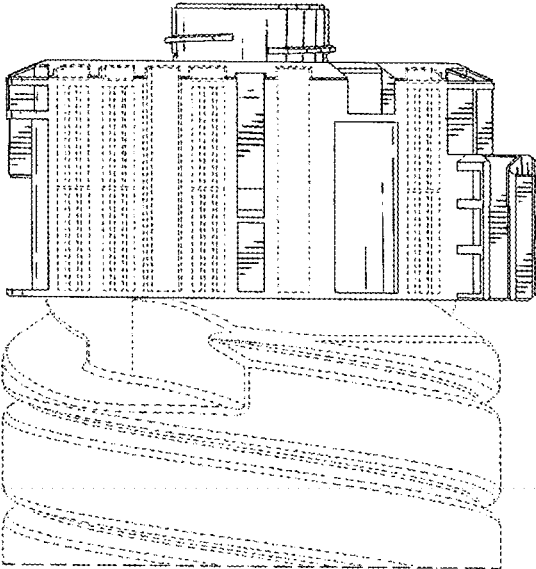


Fig. 18

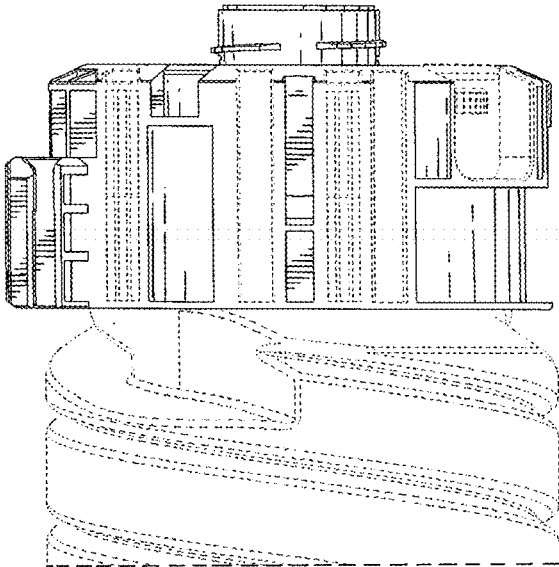


Fig. 17

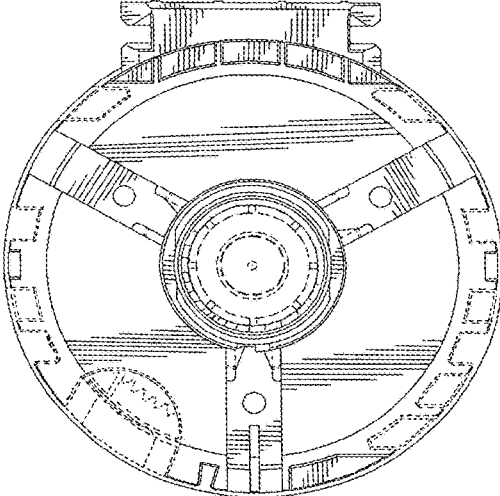


Fig. 20

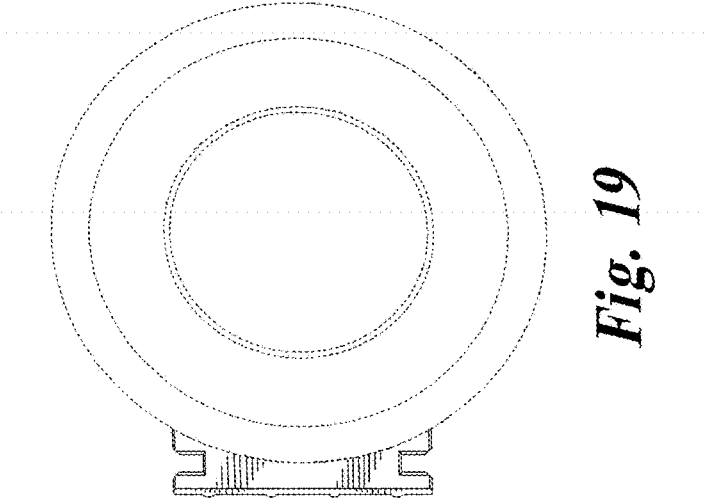


Fig. 19